



US00D859966S

(12) **United States Design Patent** (10) **Patent No.:** **US D859,966 S**
Rassat (45) **Date of Patent:** **** Sep. 17, 2019**

(54) **ARM BRACKET FOR TABLE MOUNT**

(71) Applicant: **Attiture LLC**, Minneapolis, MN (US)

(72) Inventor: **David F. Rassat**, Minneapolis, MN (US)

(73) Assignee: **Attiture LLC**, Minneapolis, MN (US)

(**) Term: **15 Years**

(21) Appl. No.: **29/602,869**

(22) Filed: **May 4, 2017**

(51) **LOC (12) Cl.** **08-05**

(52) **U.S. Cl.**
USPC **D8/380**

(58) **Field of Classification Search**

USPC D8/353, 356, 363, 366, 371, 373, 380,
D8/381; D13/154; D14/140.6, 452;
D24/127, 128, 234; D25/119, 120, 121
CPC A47B 87/00; A47B 96/02; A47B 96/06;
A47B 57/06; A47B 87/005; A47B 57/34;
A47B 96/021; A47B 96/061; B63B
22/00; F16B 37/02; F21S 8/00; F21V
21/02; G10K 1/26; G10K 1/28; G10K
9/22; H02G 1/00

See application file for complete search history.

(56) **References Cited**

U.S. PATENT DOCUMENTS

D24,909 S * 11/1895 Corscaden D8/381
D45,918 S * 6/1914 Strong D8/363
3,233,745 A * 2/1966 Hershberger B68C 1/002
211/104
D315,494 S * 3/1991 Latham D34/6
D331,873 S * 12/1992 Finkelstein D8/381
D416,470 S * 11/1999 Aldeghi D8/354
D435,432 S * 12/2000 Themistos D8/354
D457,418 S * 5/2002 Ferrer Beltrán D8/363
D611,801 S * 3/2010 Chustak D8/355

(Continued)

OTHER PUBLICATIONS

Hafele Tikla Folding Table Bracket 360mm D (14¹/₆₄") D—660mm (25⁶³/₆₄") D , posted unknown, [retrieved Apr. 26, 2018]. Retrieved from Internet, <URL: <http://www.kitchensource.com/supports-brackets/ha-287.48.110.htm> >.*

(Continued)

Primary Examiner — Barbara Fox

Assistant Examiner — Kristin E Reed

(74) *Attorney, Agent, or Firm* — Leydig, Voit & Mayer, Ltd.

(57) **CLAIM**

The ornamental design for an arm bracket for table mount, as shown and described.

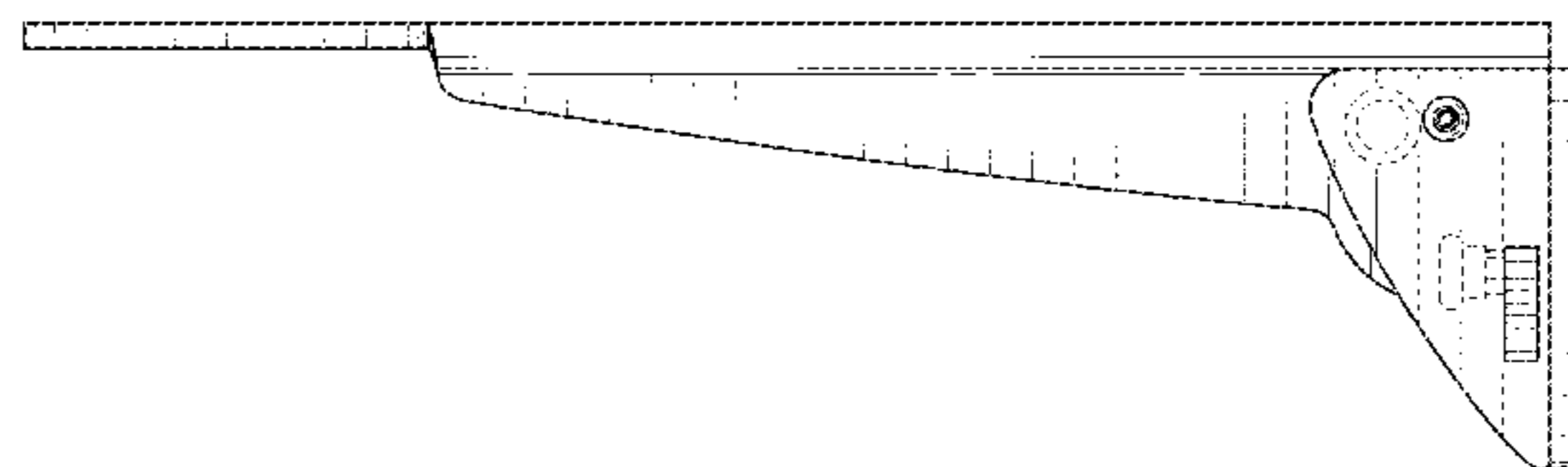
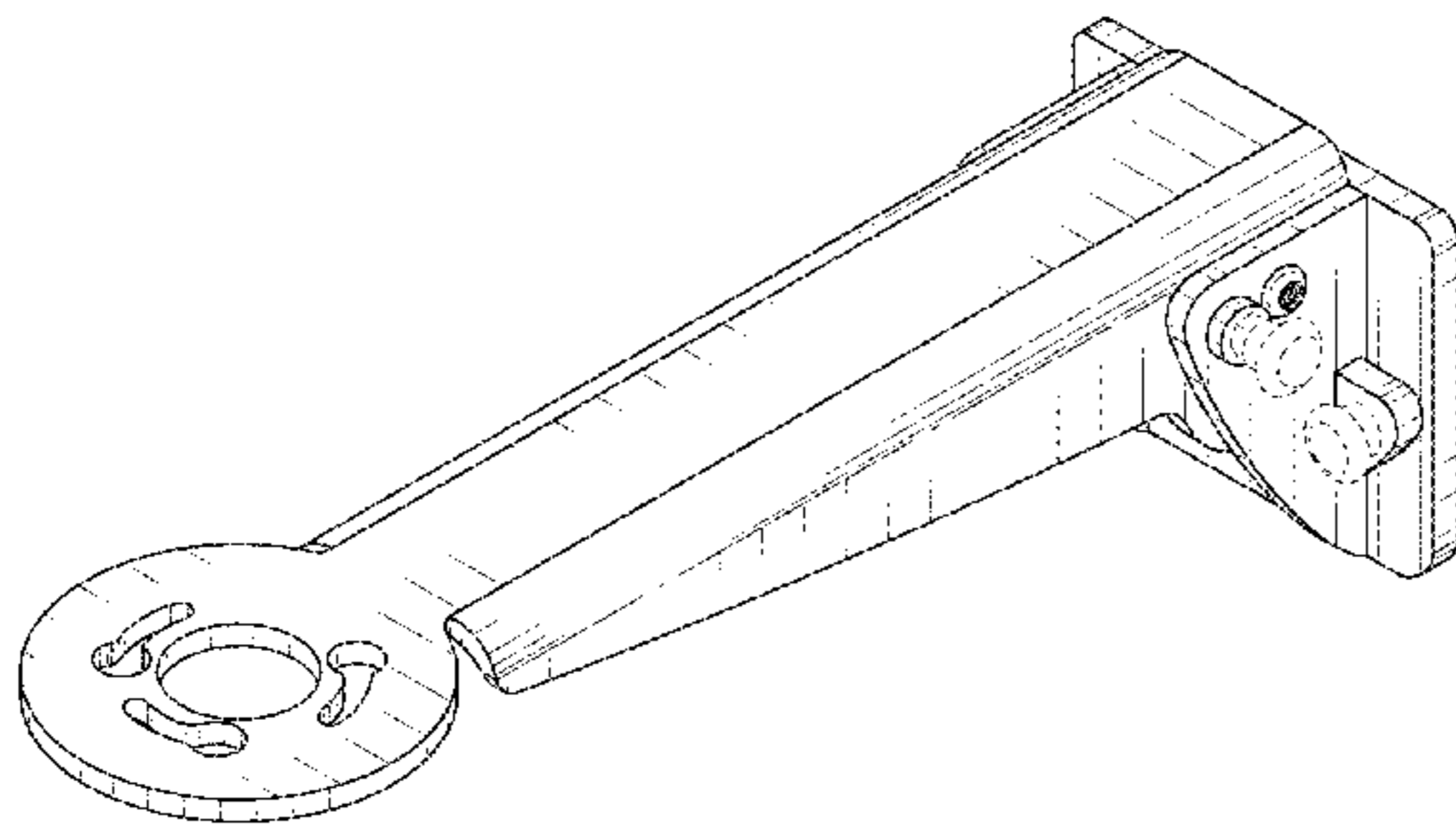
DESCRIPTION

This application is related to U.S. Design patent application Ser. No. 29/602,867, filed May 4, 2017, entitled “Rail Mount for Table Top,” and U.S. Design patent application Ser. No. 29/602,871, filed May 4, 2017, entitled “Mounting Bracket,” the entire disclosures of which are incorporated herein by reference.

FIG. 1 is a front, right side and top perspective view of an arm bracket for table mount incorporating my new design; FIG. 2 is a top plan view thereof; FIG. 3 is a bottom plan view thereof; FIG. 4 is a right-side view thereof; FIG. 5 is a left-side view thereof; FIG. 6 is a front elevation view thereof; FIG. 7 is a rear elevation view thereof; and, FIG. 8 is a front, right-side and top perspective view in the store position thereof.

The broken lines in the figures depict portions of the arm bracket for table mount that form no part of the claimed design.

1 Claim, 5 Drawing Sheets



(56)

References Cited

U.S. PATENT DOCUMENTS

D709,358 S * 7/2014 Fugett D8/380
D808,576 S * 1/2018 Clarke D26/138

OTHER PUBLICATIONS

More Spacer Shelf Bracket, posted known, [retrieved Apr. 26, 2018]. Retrieved from Internet, <URL: <https://www.indiamart.com/proddetail/more-spacer-shelf-bracket-5114822162.html> >.*

Sugatsune 7½" (181mm) Folding Shelf Bracket with Stopper—EACH (Satin Stainless Steel), posted 2018, [retrieved Apr. 26, 2018]. Retrieved from Internet, <URL: https://www.thehardwarehut.com/catalog-product.php?p_ref=17586 >.*

* cited by examiner

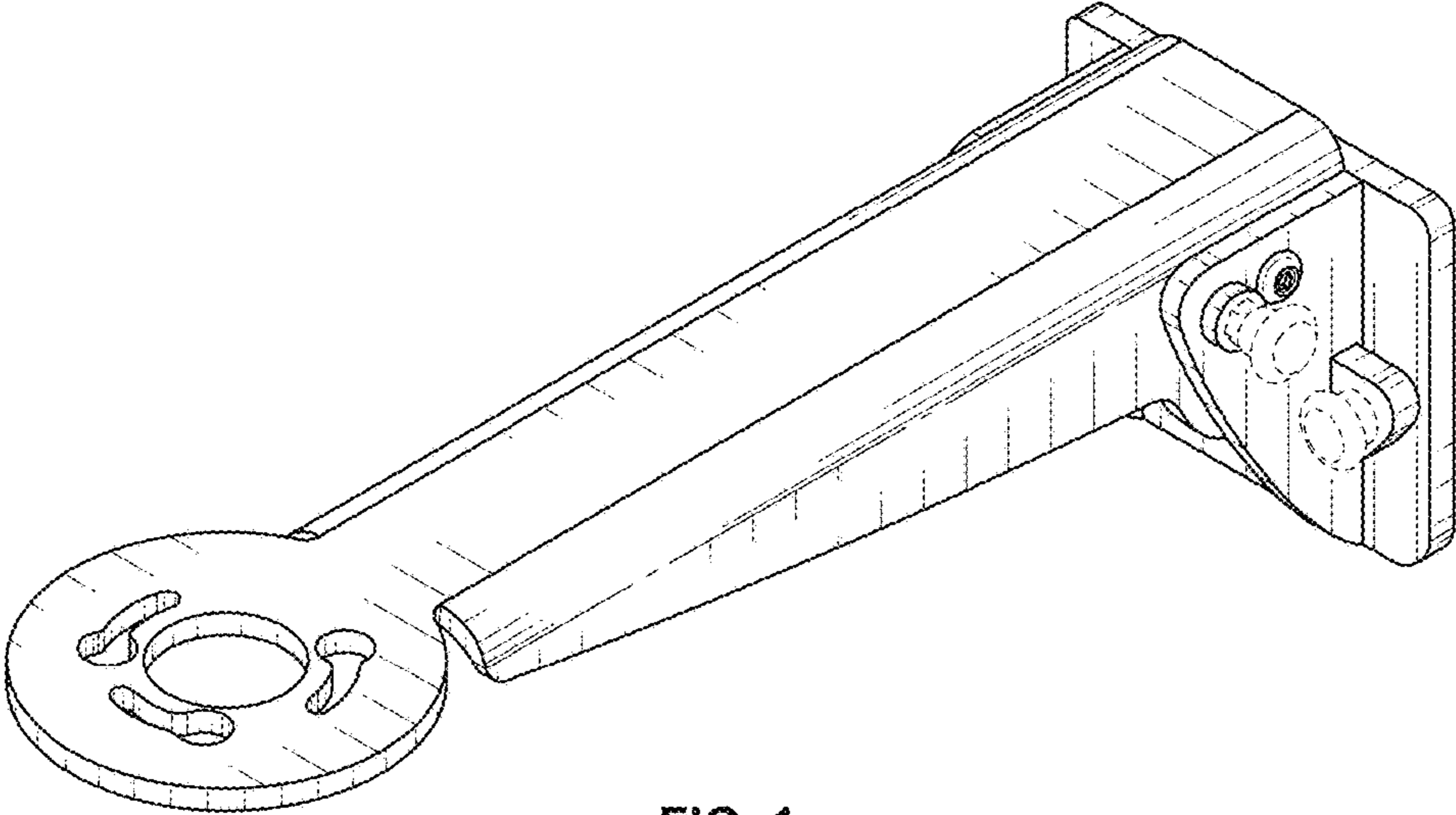


FIG. 1

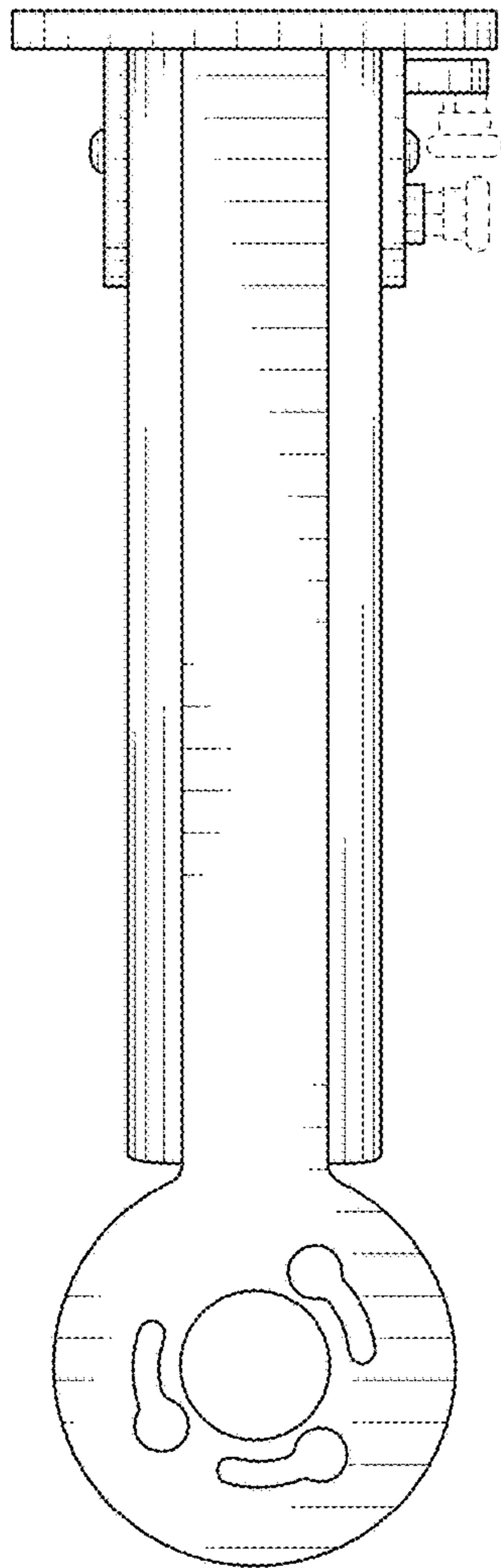


FIG. 2

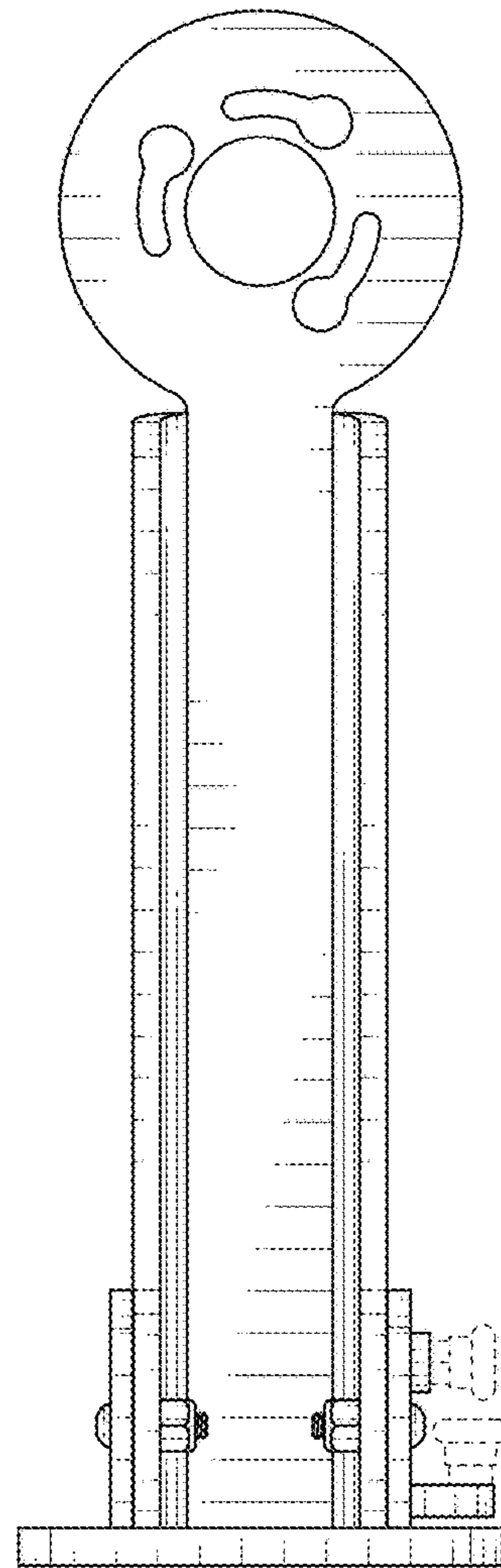


FIG. 3

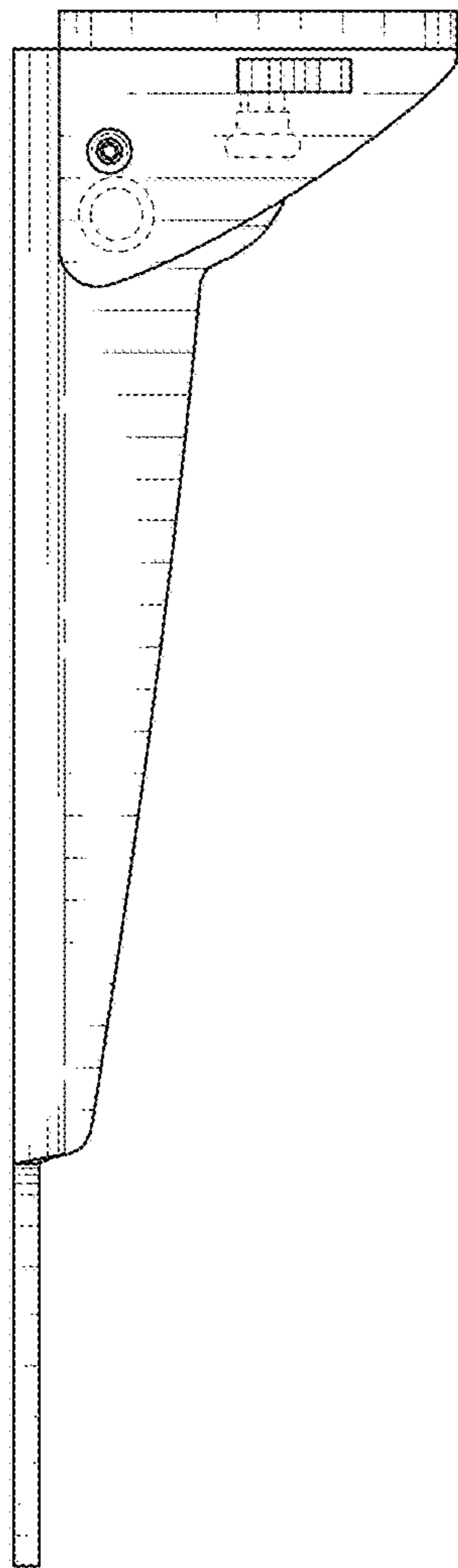


FIG. 4

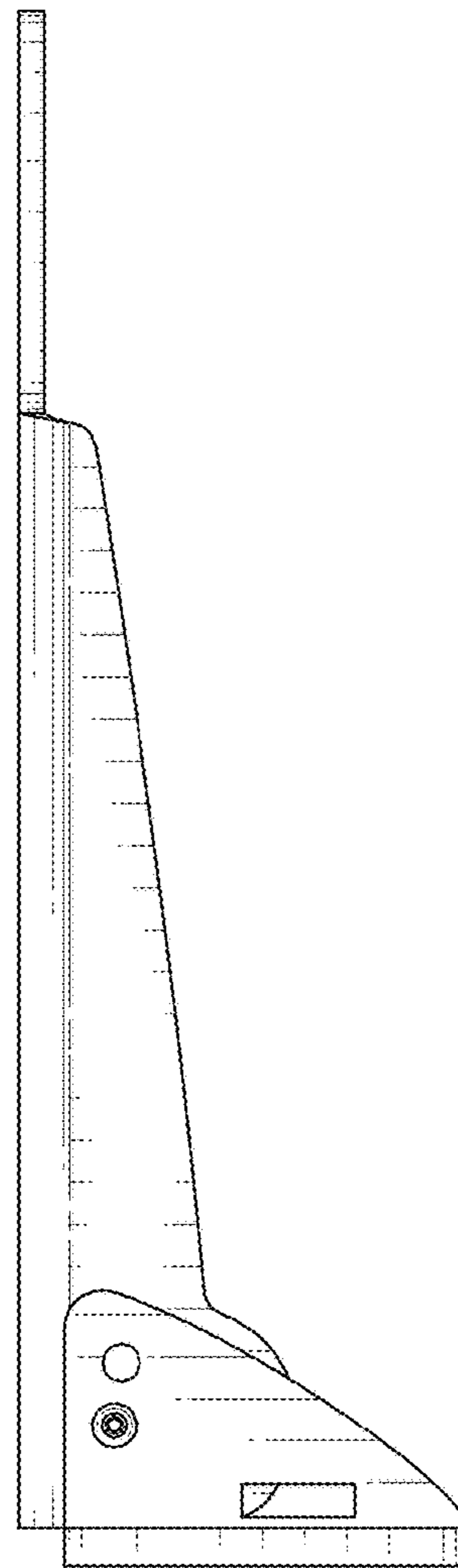


FIG. 5

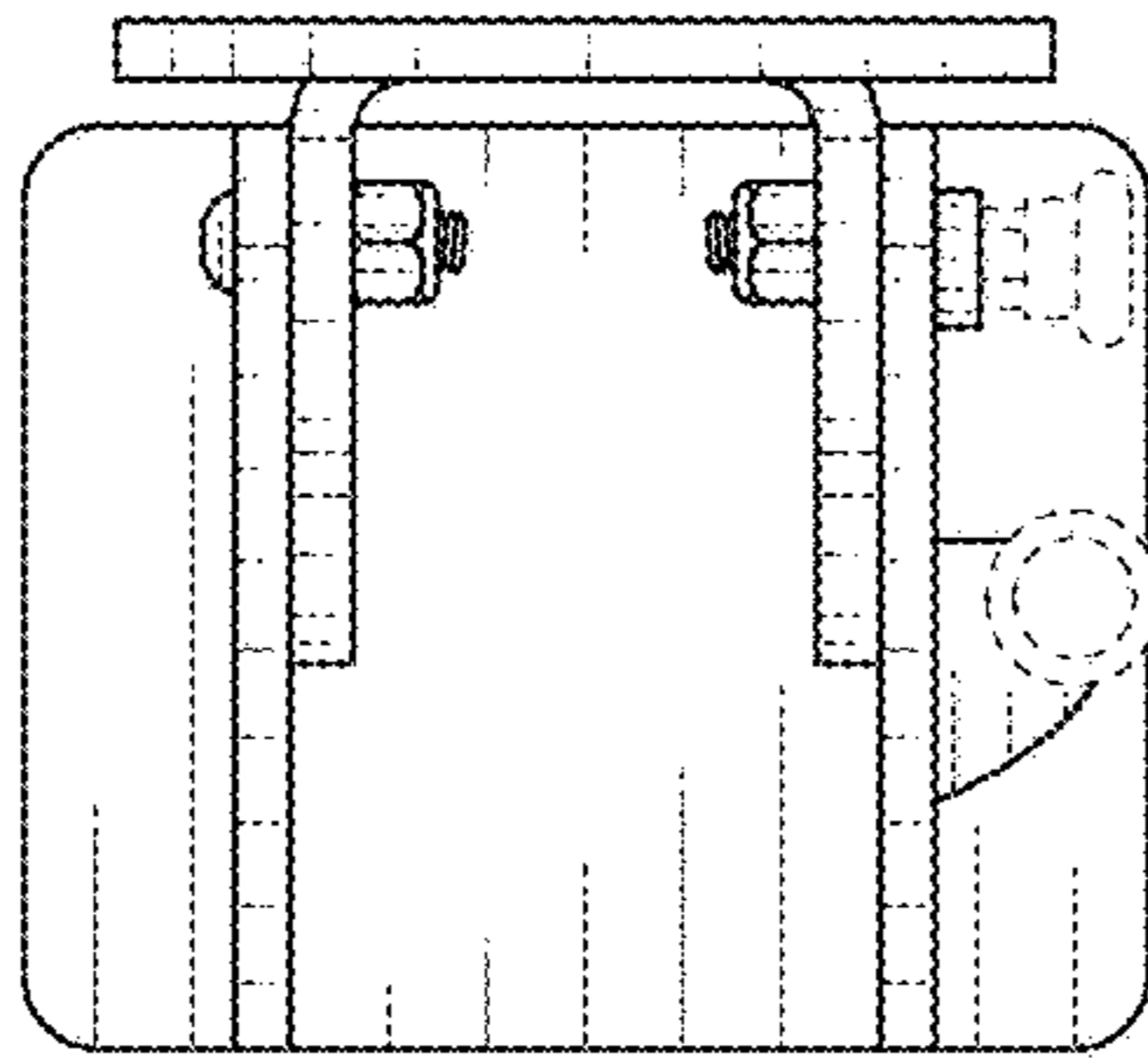


FIG. 6

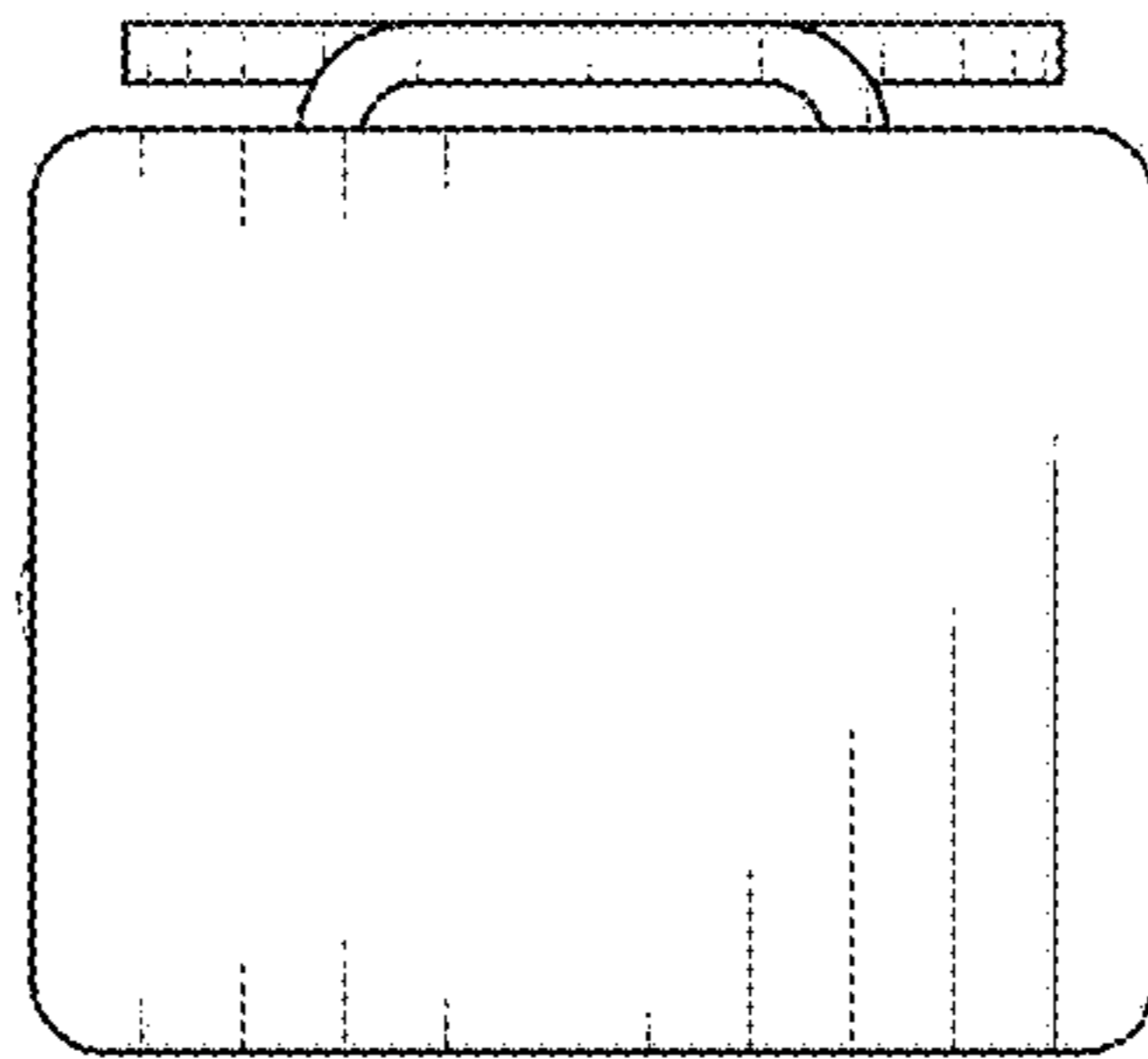


FIG. 7

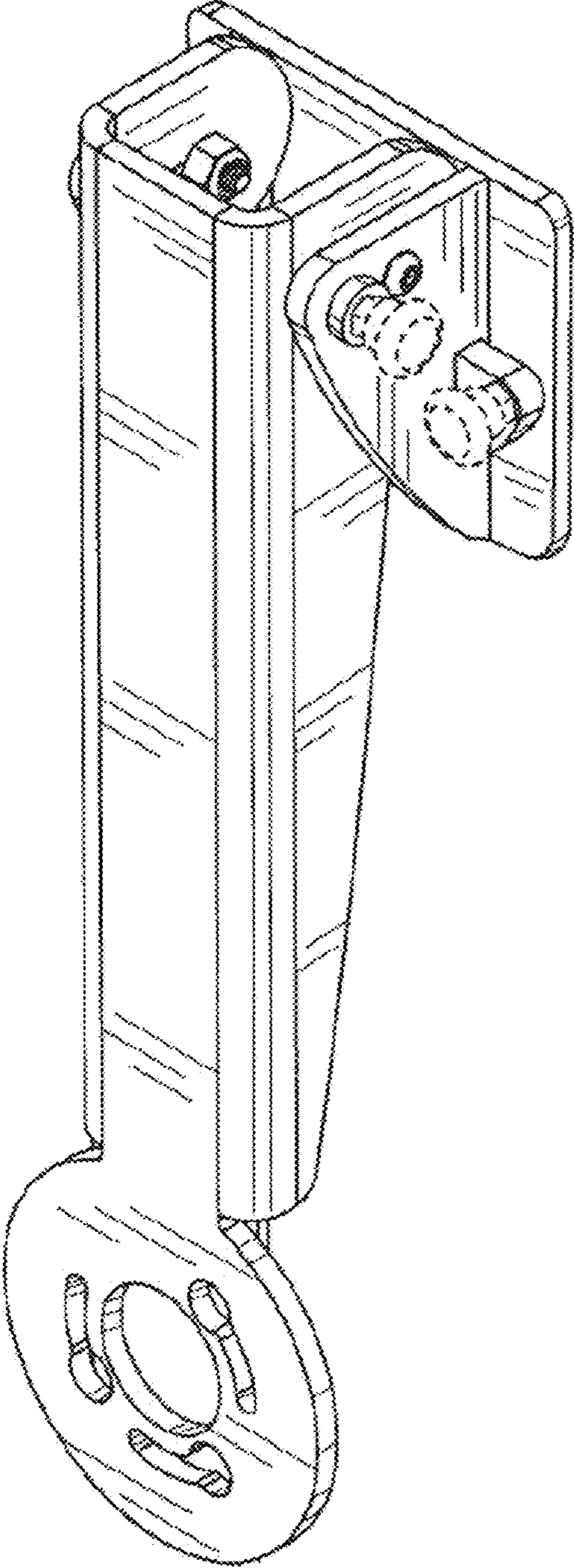


FIG. 8