



US00D859965S

(12) **United States Design Patent** (10) **Patent No.:** **US D859,965 S**
Borloz et al. (45) **Date of Patent:** **** Sep. 17, 2019**

(54) **ADJUSTMENT HANDLE FOR AN ARTICULATED EQUIPMENT SUPPORT ARM**

D618,973 S * 7/2010 Gosselin D8/10
D621,669 S * 8/2010 Donald D8/7
D709,760 S * 7/2014 Castell, Jr. D9/434

(Continued)

(71) Applicant: **GCX Corporation**, Petaluma, CA (US)

(72) Inventors: **Paul Rene Borloz**, Petaluma, CA (US);
Robert Peter Glaser, Corte Madera, CA (US); **Joshua Kawarii Littlefield**, Santa Rosa, CA (US)

(73) Assignee: **GCX Corporation**, Petaluma, CA (US)

(**) Term: **15 Years**

(21) Appl. No.: **29/547,934**

(22) Filed: **Dec. 9, 2015**

(51) **LOC (12) Cl.** **08-06**

(52) **U.S. Cl.**
USPC **D8/380**

(58) **Field of Classification Search**
USPC D8/1, 6-13, 94, 107, 315, 317, 303, 321,
D8/322; D6/522, 524
CPC .. A01B 1/22; A01D 1/14; A47B 95/02; A47B
2095/022; A47B 2095/023; A47B
2095/024; A47B 2095/025; A47B
2220/0047; F24C 15/00; F24C 15/02;
F25D 23/00; F25D 23/02
See application file for complete search history.

(56) **References Cited**

U.S. PATENT DOCUMENTS

D193,367 S * 8/1962 Mersereau D8/315
3,226,149 A * 12/1965 McJohnson A01B 1/02
172/375
D331,652 S * 12/1992 Wu D12/178
D339,038 S * 9/1993 Pohlmann D8/10
D368,211 S * 3/1996 Skold D8/1
7,581,771 B2 * 9/2009 Rosine A01B 1/02
294/54.5

OTHER PUBLICATIONS

VHM-P and VHM-PL with Extension, Variable Height Arm, posted May 30, 2017, [retrieved Mar. 26, 2018]. Retrieved from Internet, <URL: https://www.gcx.com/assets/images/product_centers/VHM-P_and_VHM-PL_Product_Datasheet.pdf >.*

(Continued)

Primary Examiner — Barbara Fox

Assistant Examiner — Kristin E Reed

(74) *Attorney, Agent, or Firm* — Perkins Coie LLP

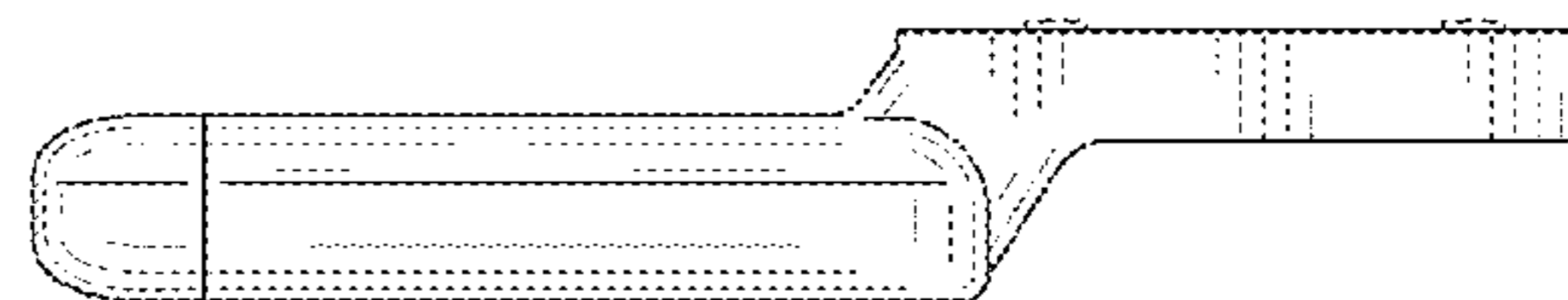
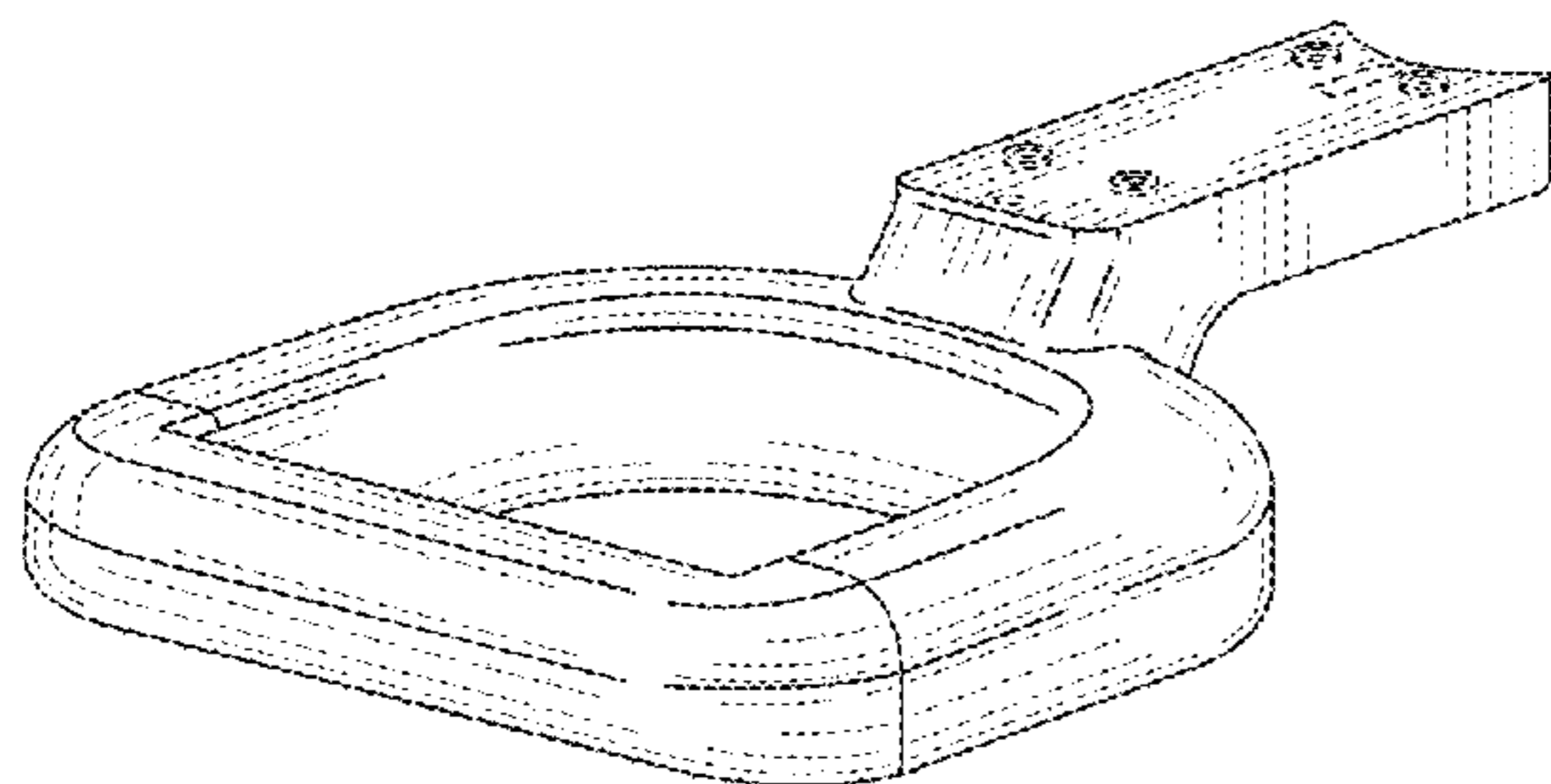
(57) **CLAIM**

The ornamental design for an adjustment handle for an articulated equipment support arm, as shown and described.

DESCRIPTION

FIG. 1 is a front perspective view of an adjustment handle for an articulated equipment support arm.
FIG. 2 is a front perspective view of an adjustment handle for an articulated equipment support arm attached to the articulated equipment support arm.
FIG. 3 is a left side elevational view of the adjustment handle for the articulated equipment support arm shown in FIG. 1.
FIG. 4 is a top plan view thereof.
FIG. 5 is a bottom plan view thereof.
FIG. 6 is a front elevational view thereof; and,
FIG. 7 is a rear elevational view thereof.
The broken line showing of an articulated equipment support arm in FIG. 2 depicts environment; the remaining broken lines depict portions of the adjustment handle for an articulated equipment support arm. The broken lines form no part of the claimed design.

1 Claim, 4 Drawing Sheets



(56)

References Cited

U.S. PATENT DOCUMENTS

D779,306 S * 2/2017 Finkelstein D8/331
2017/0314731 A1 * 11/2017 Glaser A47B 21/03

OTHER PUBLICATIONS

GXM—Articulated Arm Stand with 3 Articulation point, Adjustable Height (Pneumatic), posted unknown, [retrieved Mar. 26, 2018]. Retrieved from Internet, <URL: <https://www.gtvision.co.uk/GXM-Articulated-Arm-Stand-with-3-Articulation-point-Adjustable-Height-Pneumatic> >.*

Installation Guide, Philips SureSigns VHM Wall Mount Kit, posted Aug. 30, 2012, [retrieved Mar. 26, 2018]. Retrieved from Internet, <URL: https://www.gcx.com/assets/documents/installation_guides/DU-PH-0058-25_Rev_B.pdf >.*

The Heft Auxiliary Ergonomic Shovel Handle, posted 2018, [retrieved Mar. 26, 2018]. Retrieved from Internet, <URL: <http://www.hardtogetititems.com/the-heft-auxiliary-ergonomic-shovel-handle.html> >.*

* cited by examiner

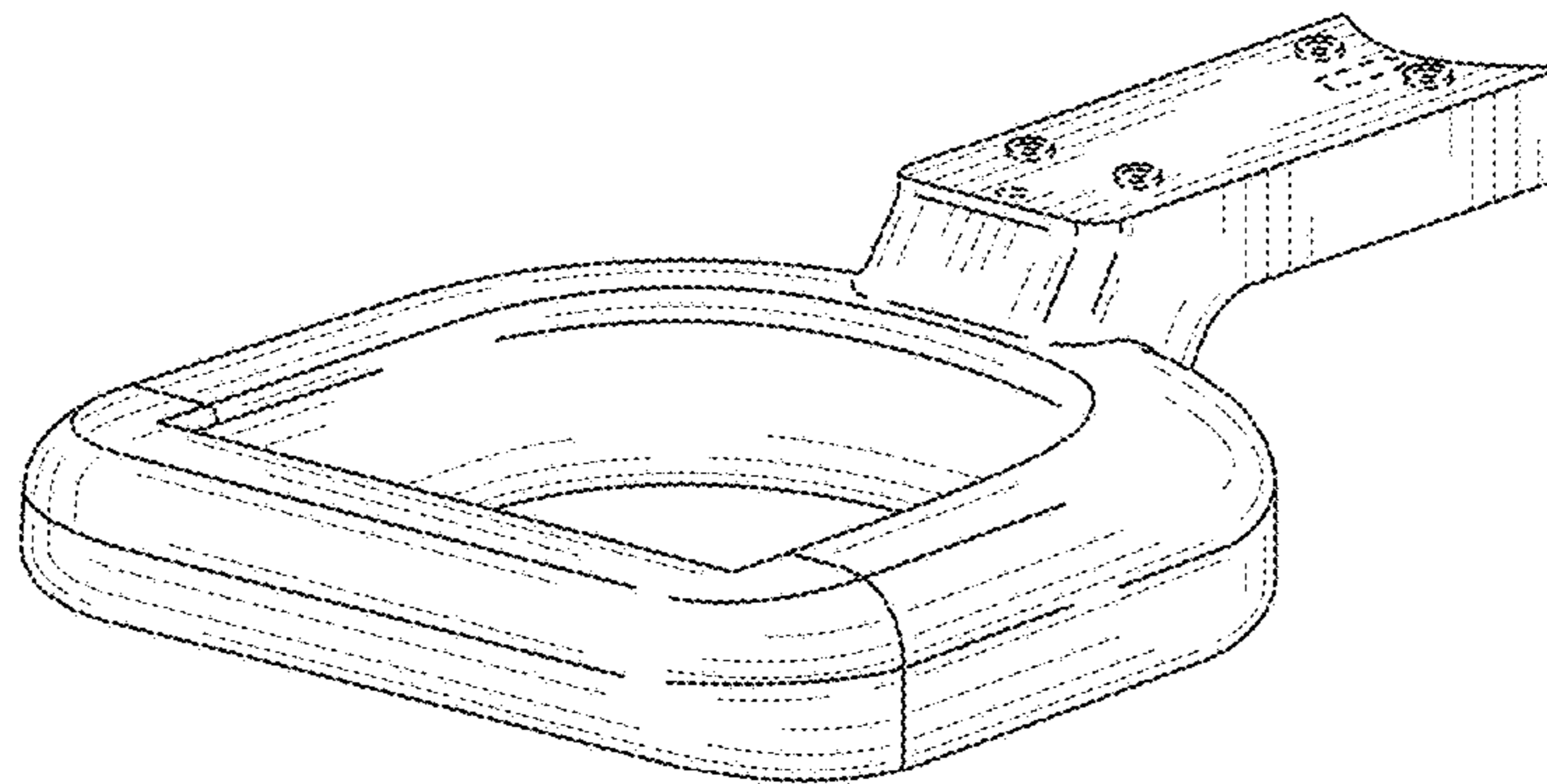


FIG. 1

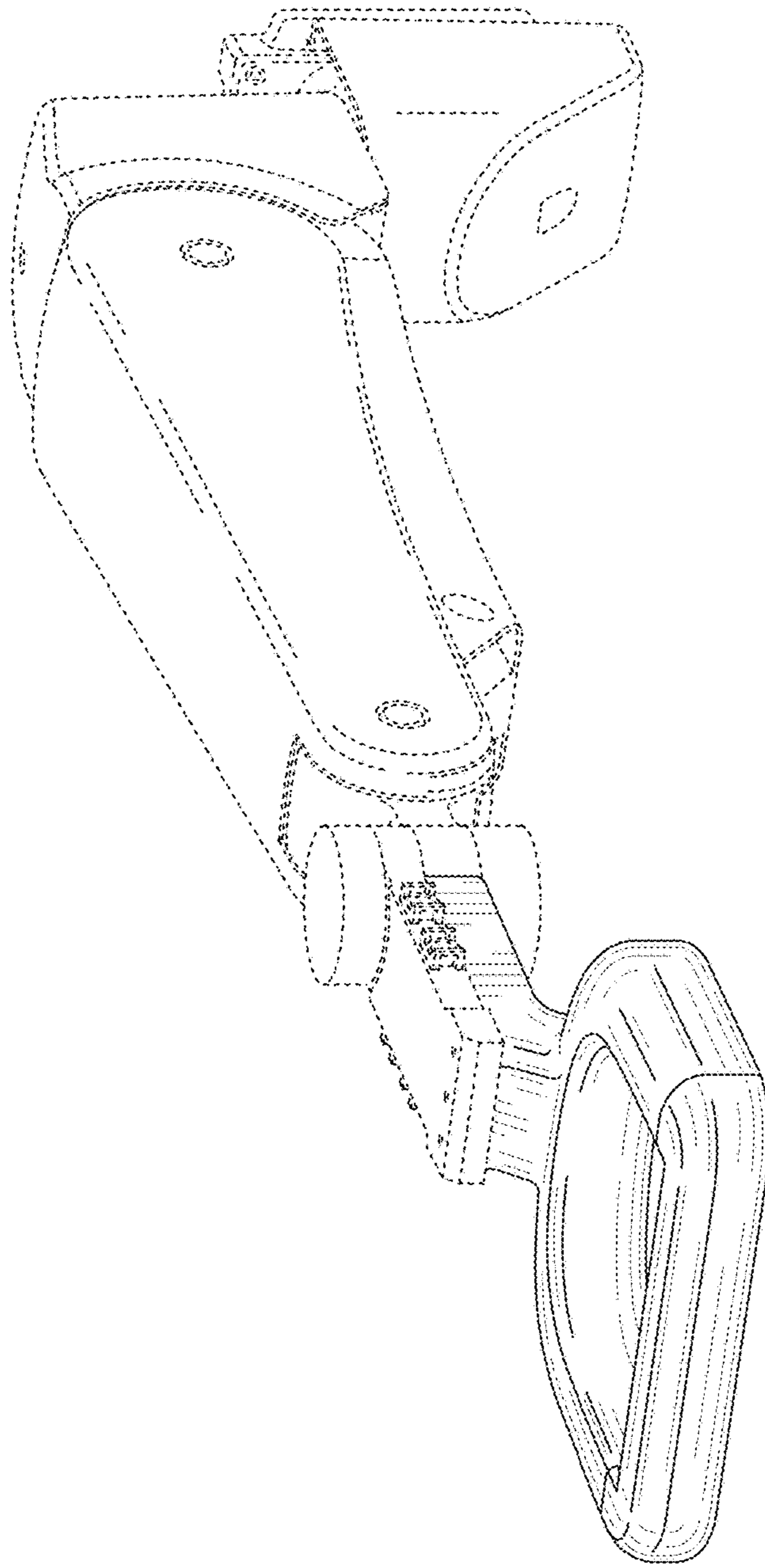


FIG. 2

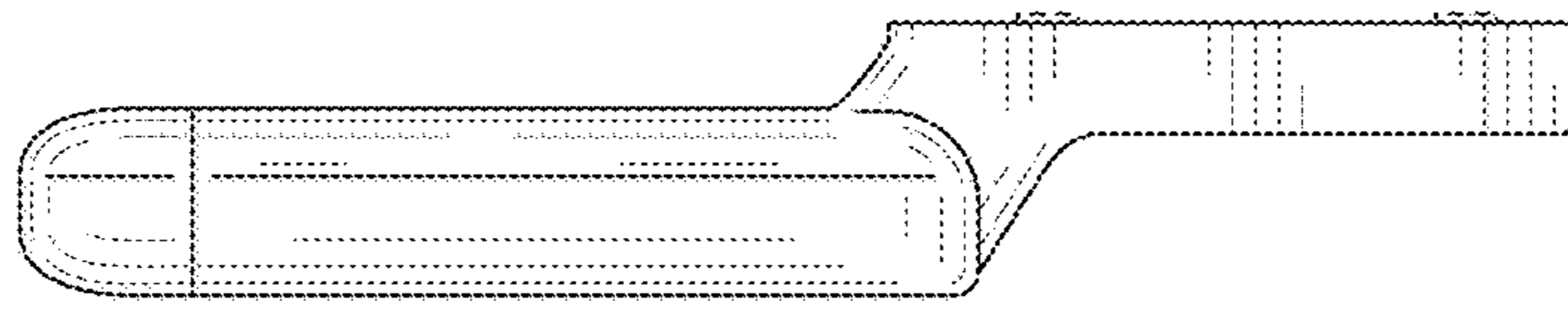


FIG. 3

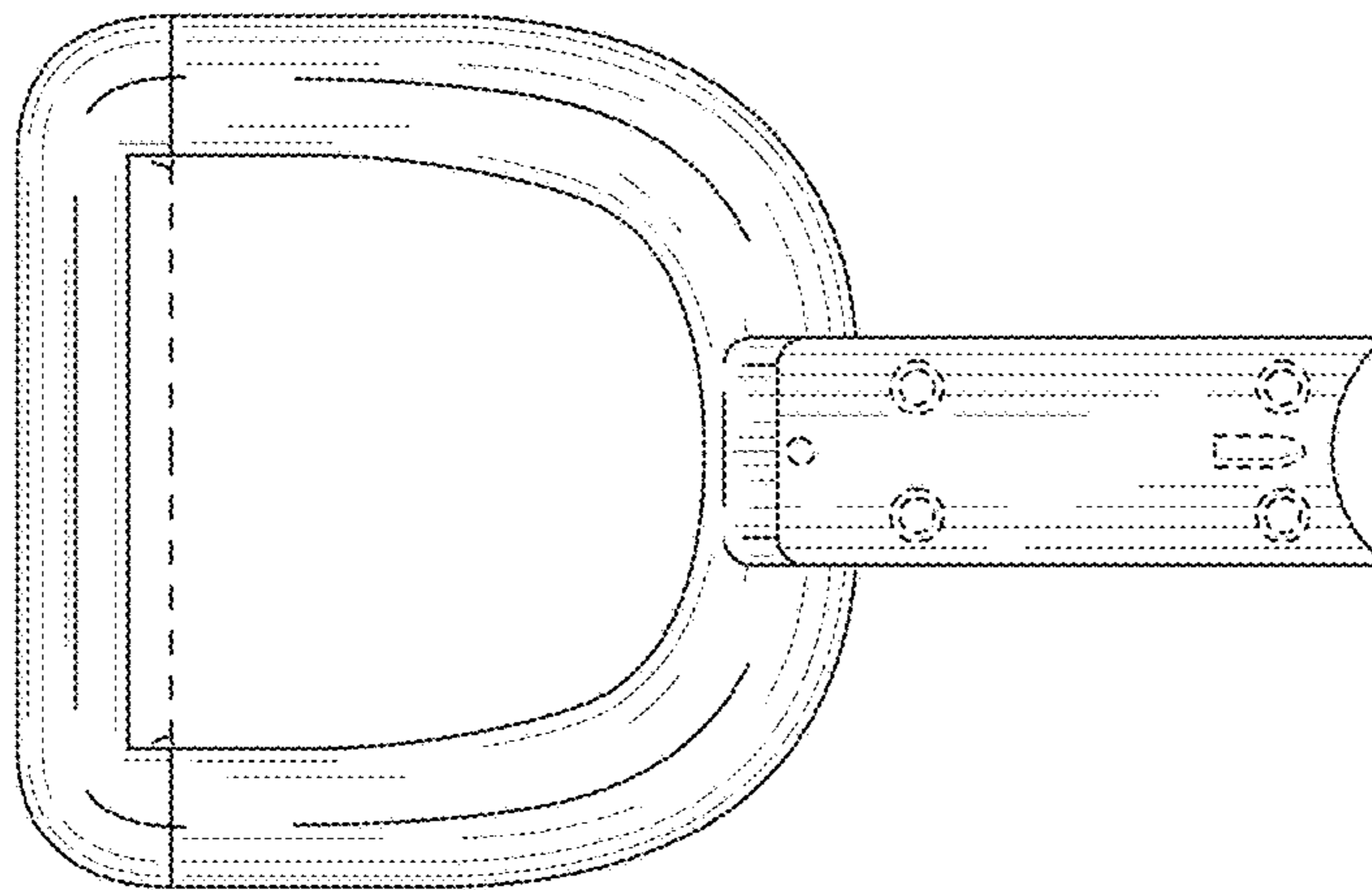


FIG. 4

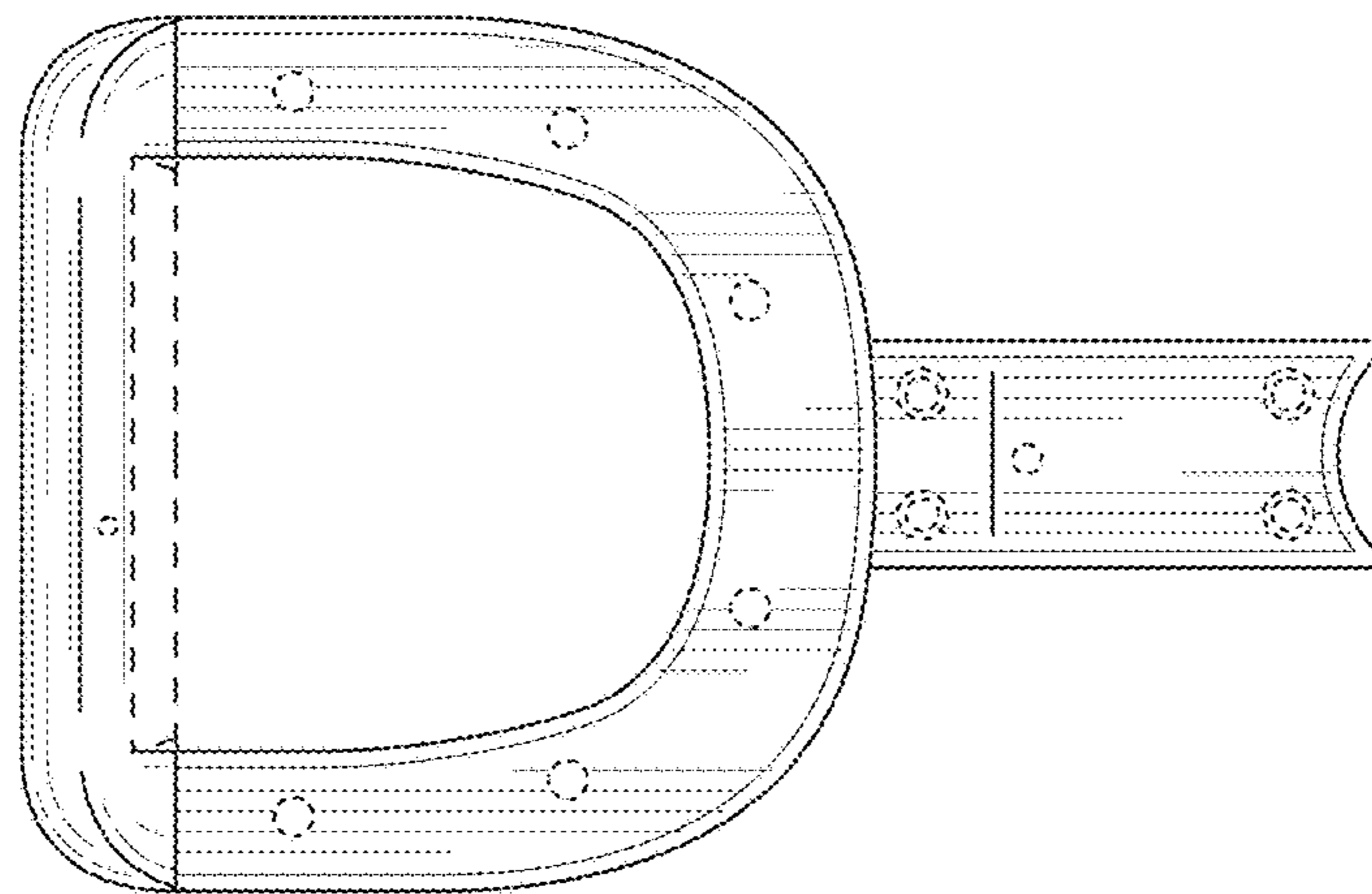


FIG. 5

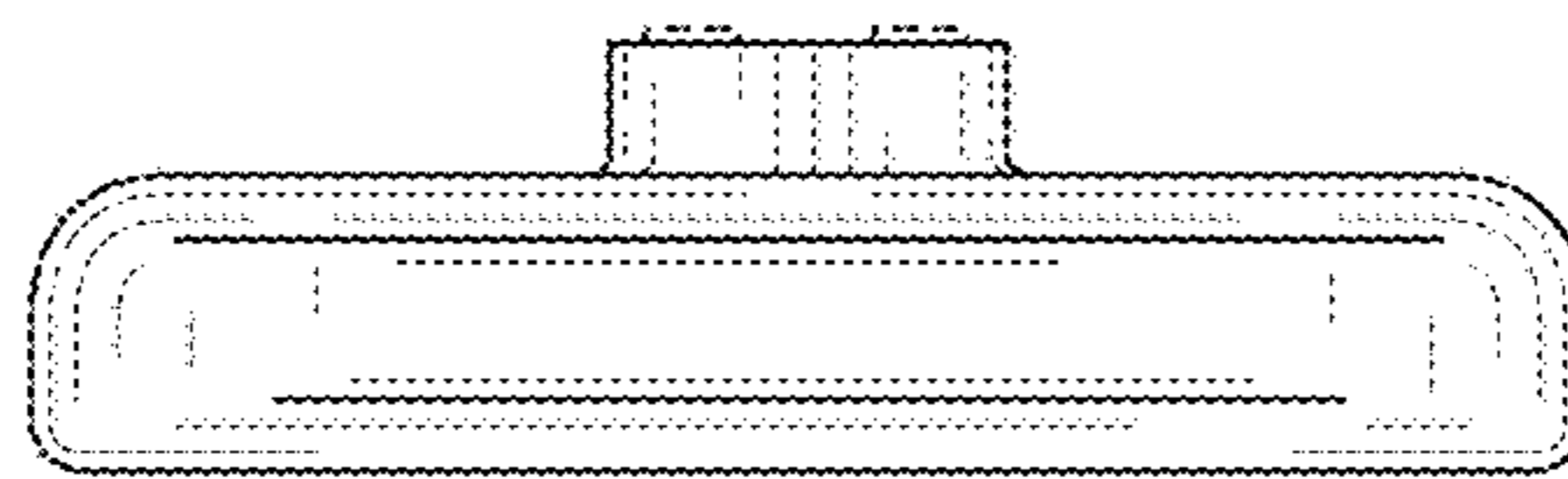


FIG. 6

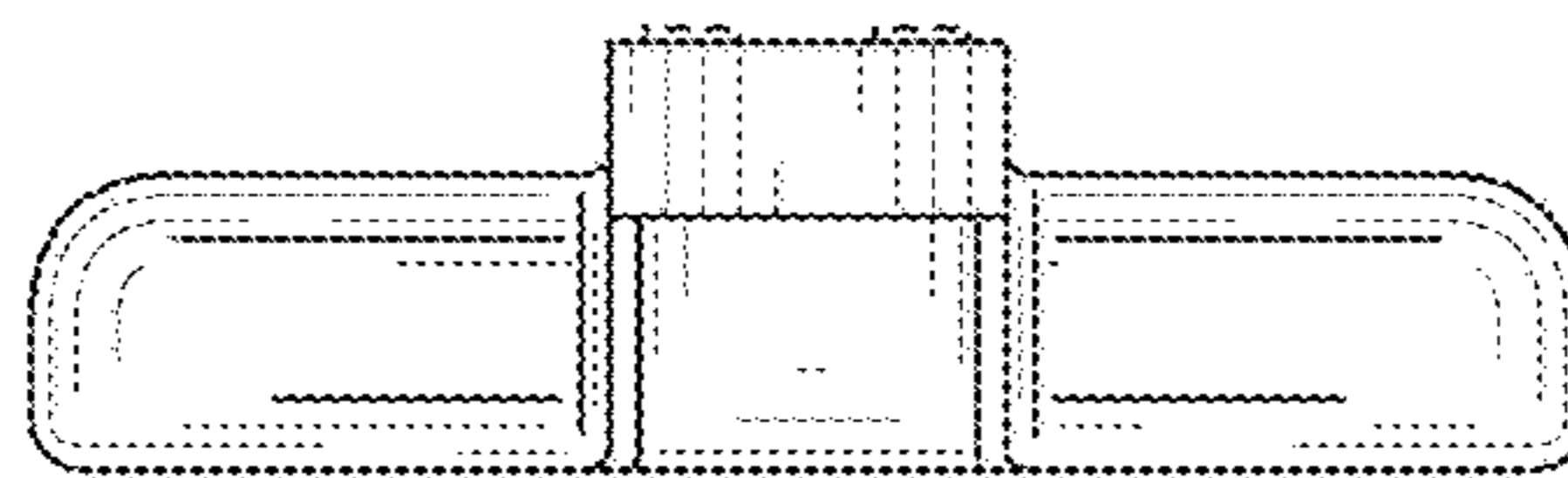


FIG. 7