

US00D859964S

(12) **United States Design Patent** (10) **Patent No.:** **US D859,964 S**
Goskowski et al. (45) **Date of Patent:** **** Sep. 17, 2019**

(54) **LATERAL SLIT BUCKLE FOR A SHOWER CURTAIN**

D664,424 S * 7/2012 Cittadino D8/367
D668,091 S * 10/2012 Zahner D6/580
D668,941 S * 10/2012 Taurins D8/367

(Continued)

(71) Applicant: **M.G. Manufacturing Company, Inc.**,
Forest City, PA (US)

Primary Examiner — Cynthia R Underwood

(72) Inventors: **M. Karen Goskowski**, Clifford
Township, PA (US); **Paul E. Carlson**,
Skaneateles, NY (US); **Deborah A.
Laun**, Syracuse, NY (US)

(74) *Attorney, Agent, or Firm* — Bernhard P. Molldrem,
Jr.

(73) Assignee: **M.G. Manufacturing Company, Inc.**,
Forest City, PA (US)

(57) **CLAIM**

The ornamental design for a lateral slit buckle for a shower curtain, as shown and described.

(**) Term: **15 Years**

DESCRIPTION

(21) Appl. No.: **29/645,642**

(22) Filed: **Apr. 27, 2018**

(51) **LOC (12) Cl.** **08-05**

(52) **U.S. Cl.**
USPC **D8/367**

(58) **Field of Classification Search**
USPC D8/349, 354, 367, 368; 24/1, 702
CPC A41F 9/007; A47G 25/065; A47G 25/06;
B60N 3/005; B60R 7/10; F16B 1/00;
F16B 45/00; F16L 3/13; F16L 3/26;
A62B 7/00; A01K 27/005; A45C 13/03;
F16M 13/02; A45F 5/021; A44B 13/0029
See application file for complete search history.

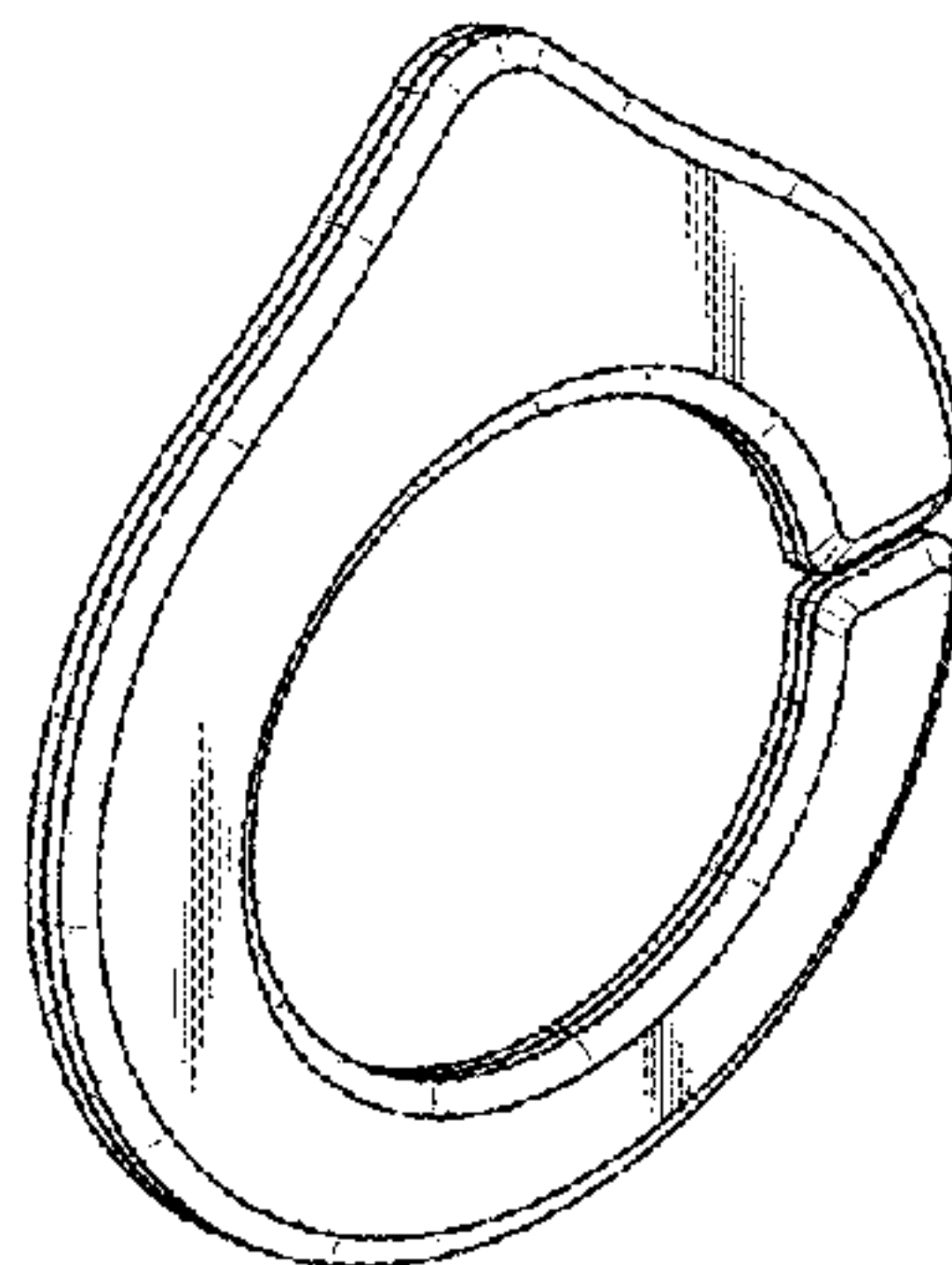
FIG. 1 is a front elevation of a left-side lateral slit buckle for a shower curtain, showing our new design.
FIG. 2 is a rear elevation thereof.
FIG. 3 is a top view thereof.
FIG. 4 is a bottom view thereof.
FIG. 5 is a left side elevation thereof.
FIG. 6 is a right side elevation thereof.
FIG. 7 is a lower left perspective thereof.
FIG. 8 is an upper left perspective thereof.
FIG. 9 is a front elevation of a right-side lateral slit buckle for a shower curtain, showing our new design.
FIG. 10 is a rear elevation thereof.
FIG. 11 is a top view thereof.
FIG. 12 is a bottom view thereof.
FIG. 13 is a left side elevation thereof.
FIG. 14 is a right side elevation thereof.
FIG. 15 is a lower left perspective thereof.
FIG. 16 is an upper left perspective thereof; and,
FIG. 17 is a front environmental view showing the position of left and right lateral slit shower curtain buckles of this design on a portion of the shower curtain.
The slit, the rivets, and the shower curtain, each shown in broken lines, do not form any part of our design, and spacing between left and right buckles as represented in FIG. 17 is not part of our design.

(56) **References Cited**

U.S. PATENT DOCUMENTS

2,831,538 A * 4/1958 Lishman A47H 13/02
160/330
4,760,624 A * 8/1988 Fish B25B 9/00
24/30.5 S
D465,188 S * 11/2002 McCoy D12/223
D551,950 S * 10/2007 Davenport D8/367
7,296,609 B2 * 11/2007 Zahner A47H 13/02
160/330
7,788,733 B1 * 9/2010 Zahner A47K 10/02
2/158
D664,423 S * 7/2012 Cittadino D8/367

1 Claim, 5 Drawing Sheets



(56)

References Cited

U.S. PATENT DOCUMENTS

D669,721 S * 10/2012 Zahner A47H 1/04
D699,147 S * 2/2014 Fissell D11/95
9,080,715 B2 * 7/2015 Biddle F16M 13/022
9,107,544 B2 * 8/2015 Cittadino A47H 13/02
D740,646 S * 10/2015 Sargent D8/367
D744,598 S * 12/2015 Hollywood D21/484
D746,078 S * 12/2015 Zahner D6/580
D761,639 S * 7/2016 Hsu D8/367
D819,430 S * 6/2018 Xu D8/367
D823,097 S * 7/2018 Goskowski D8/367
2004/0031576 A1 * 2/2004 Zahner A47H 7/02
160/330
2008/0072403 A1 * 3/2008 Peck B42F 1/02
24/67.9
2008/0178423 A1 * 7/2008 Patel A47H 13/00
16/87.2
2009/0236843 A1 * 9/2009 Rowe B42F 11/00
281/27.2
2010/0319858 A1 * 12/2010 Freedland A47H 1/02
160/127
2015/0007950 A1 * 1/2015 Ho A47H 13/02
160/348
2017/0049275 A1 * 2/2017 Hsu A47K 3/38
2017/0251652 A1 * 9/2017 Novak A01K 91/053
2017/0273494 A1 * 9/2017 Xu A47K 3/38
2018/0020861 A1 * 1/2018 Beyda A47H 13/02
160/124

* cited by examiner

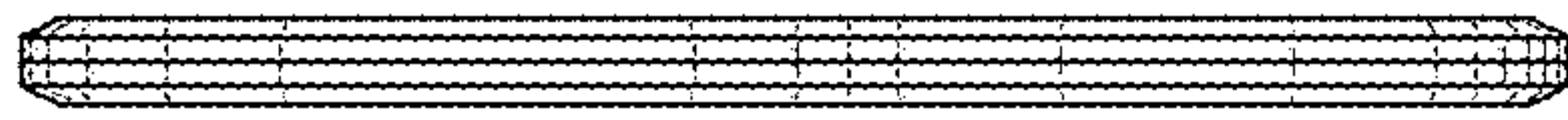


FIG.3

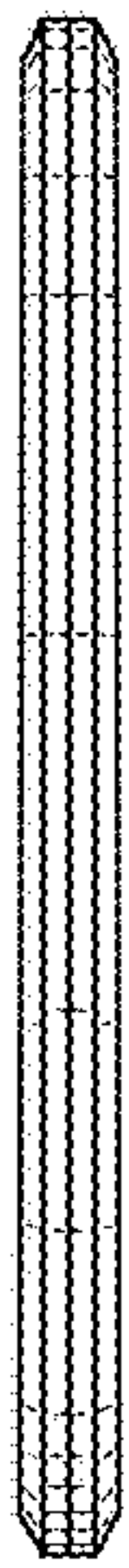


FIG.5

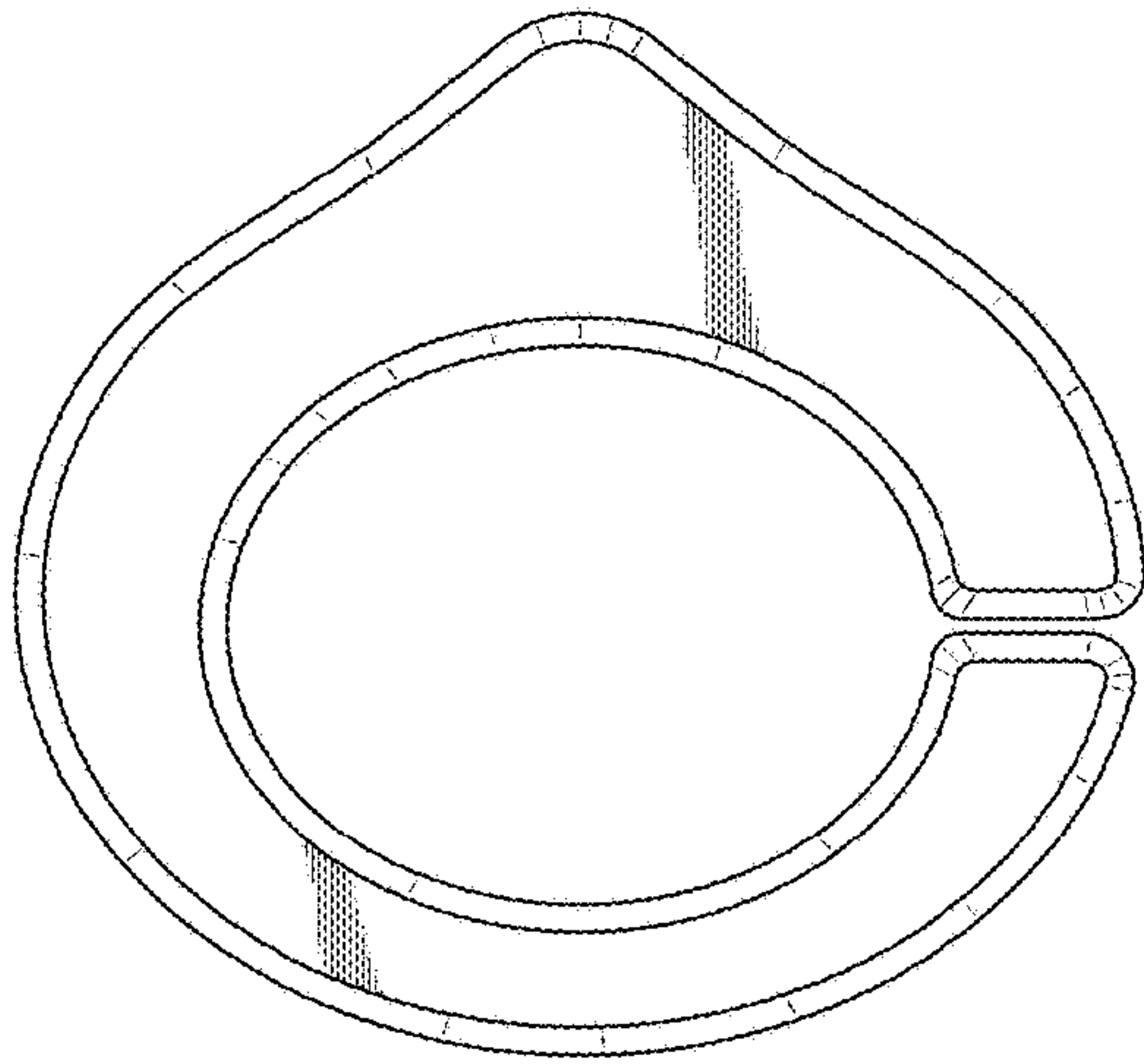


FIG.1



FIG.6

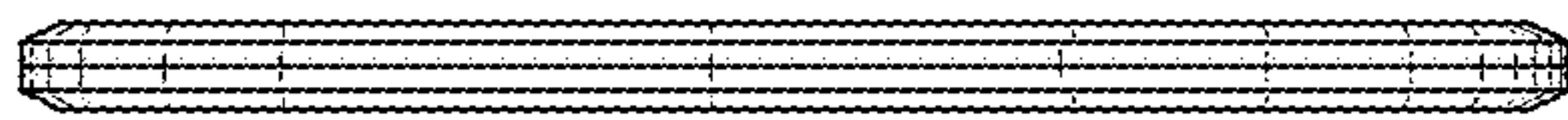


FIG.4

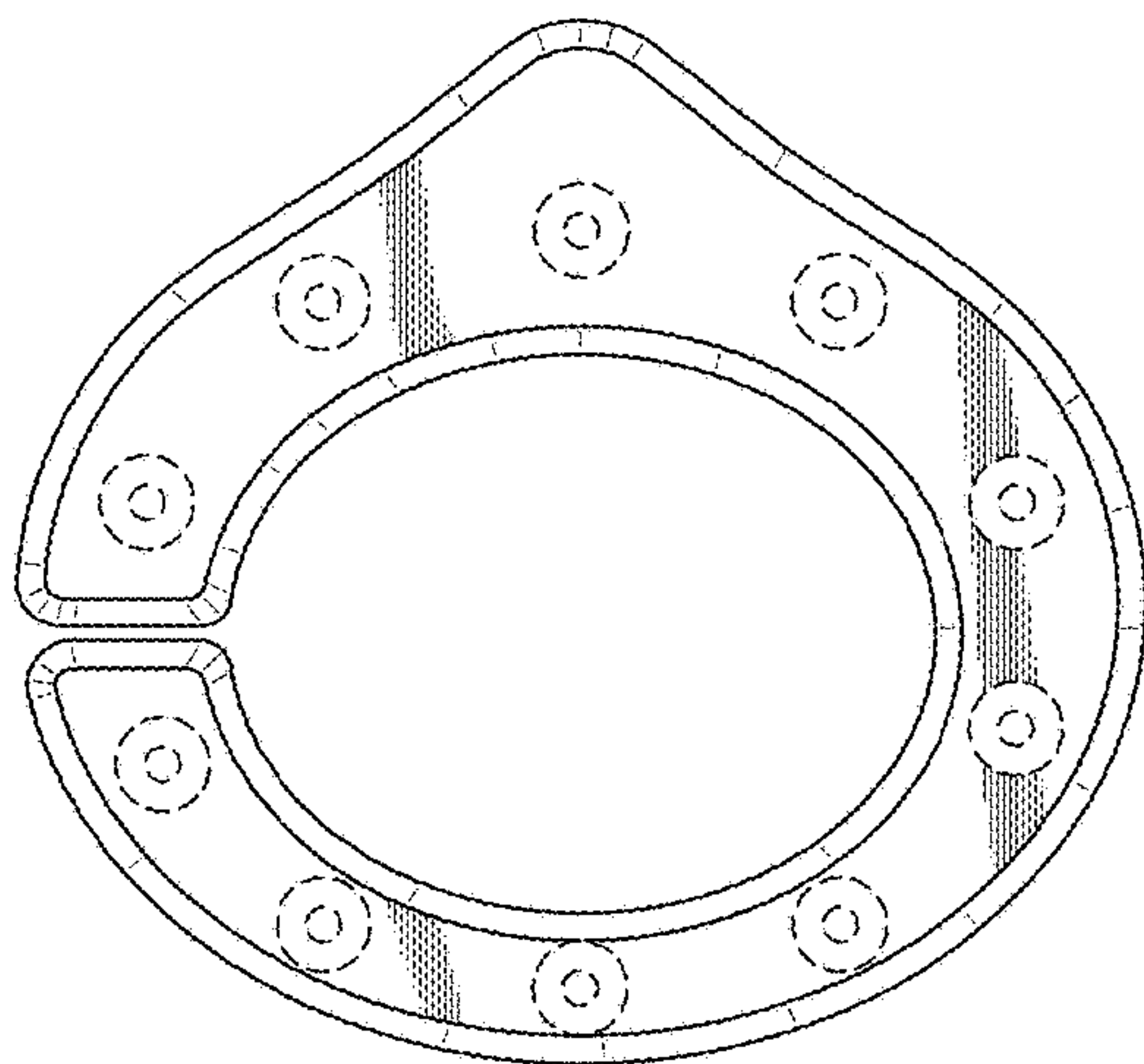


FIG.2

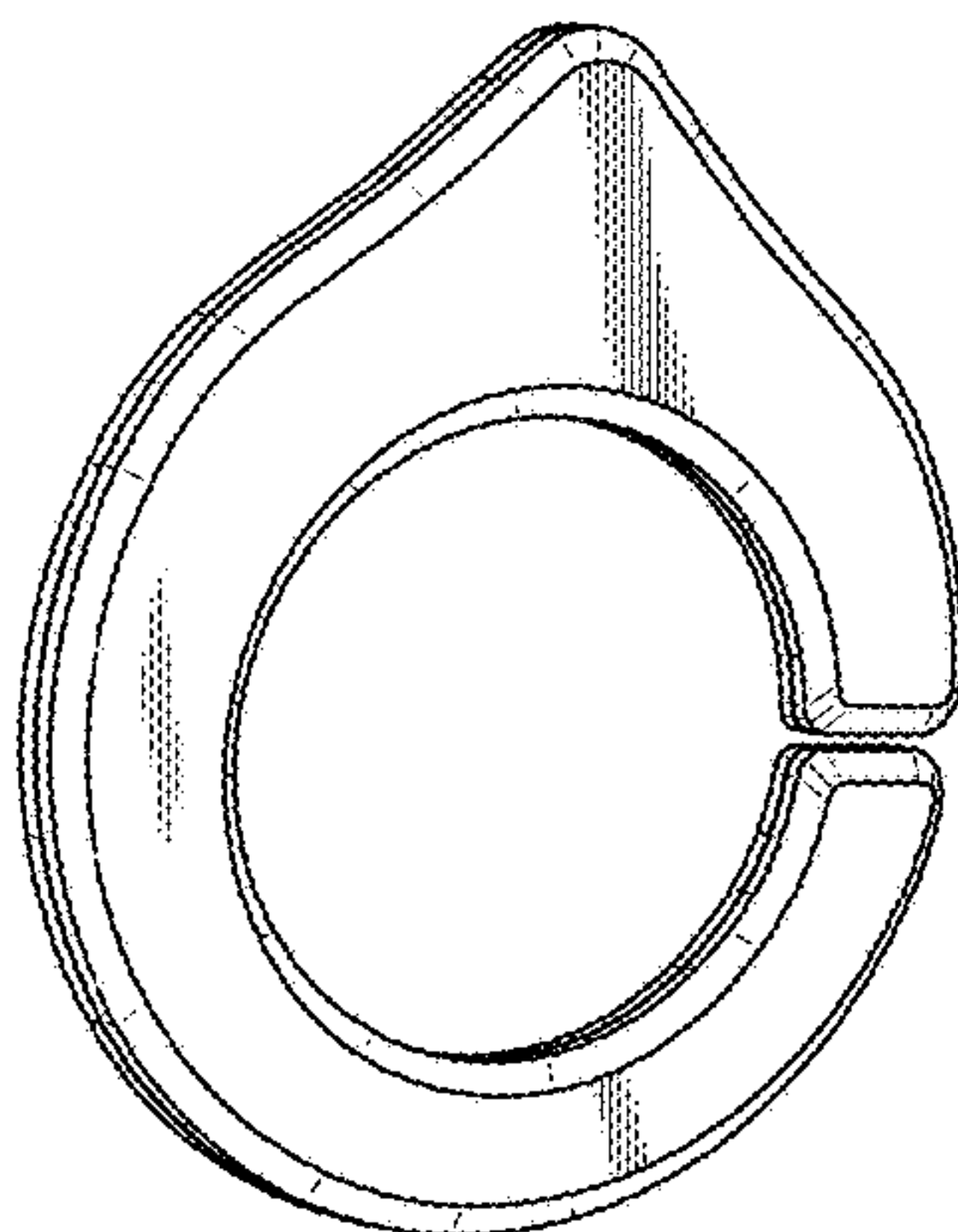


FIG. 7

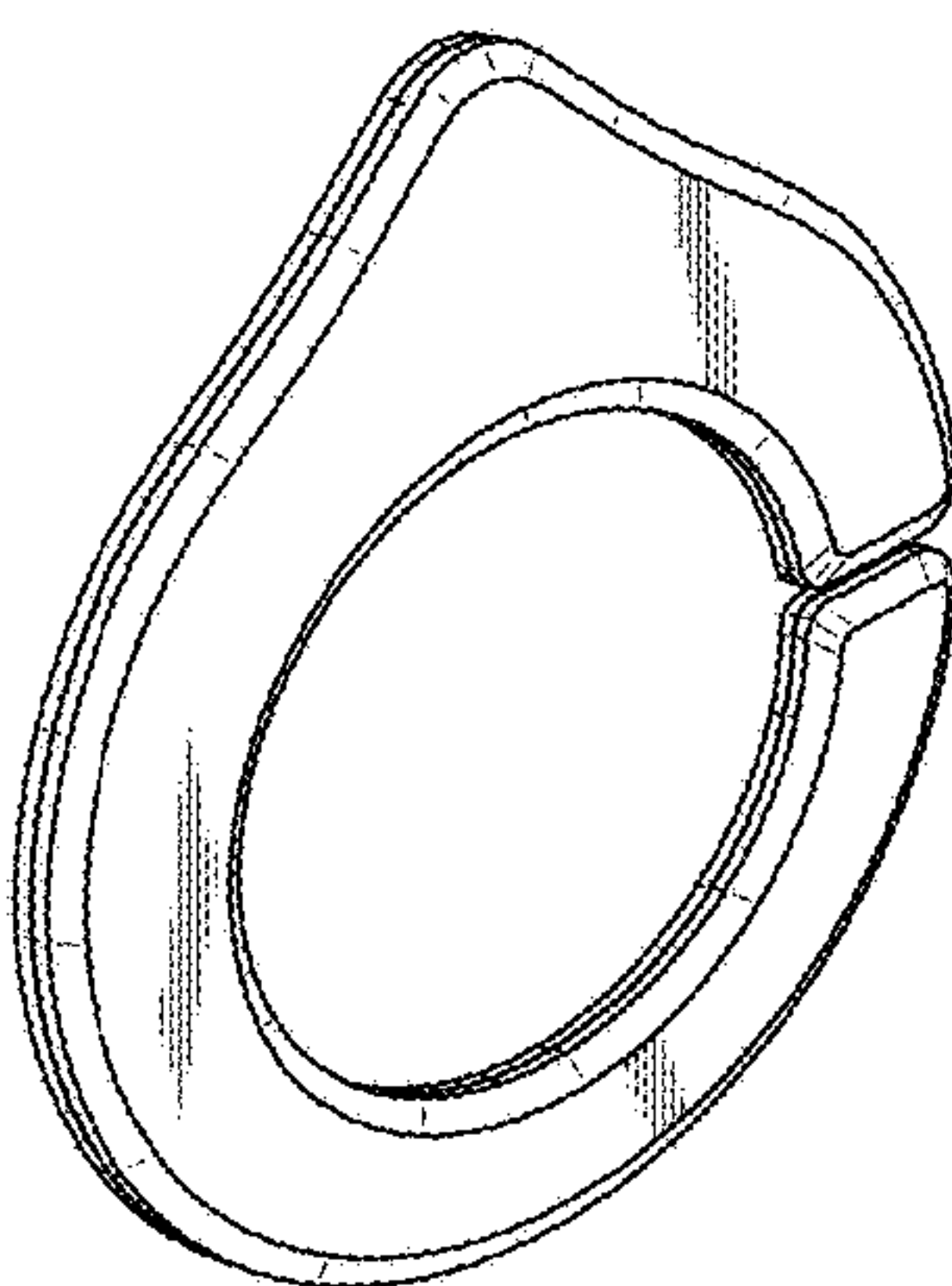


FIG. 8

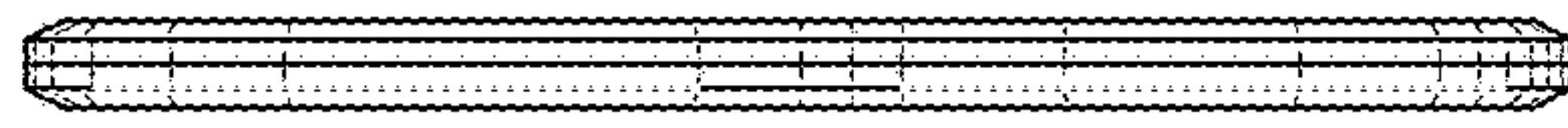


FIG. 11

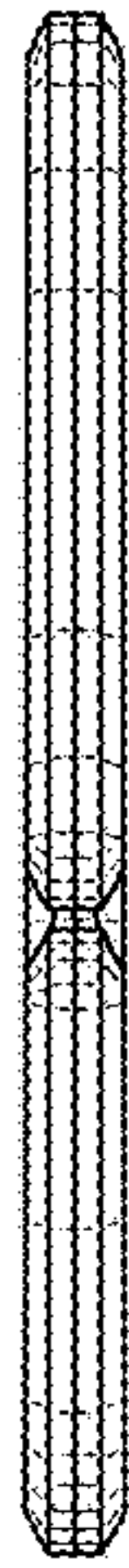


FIG. 13

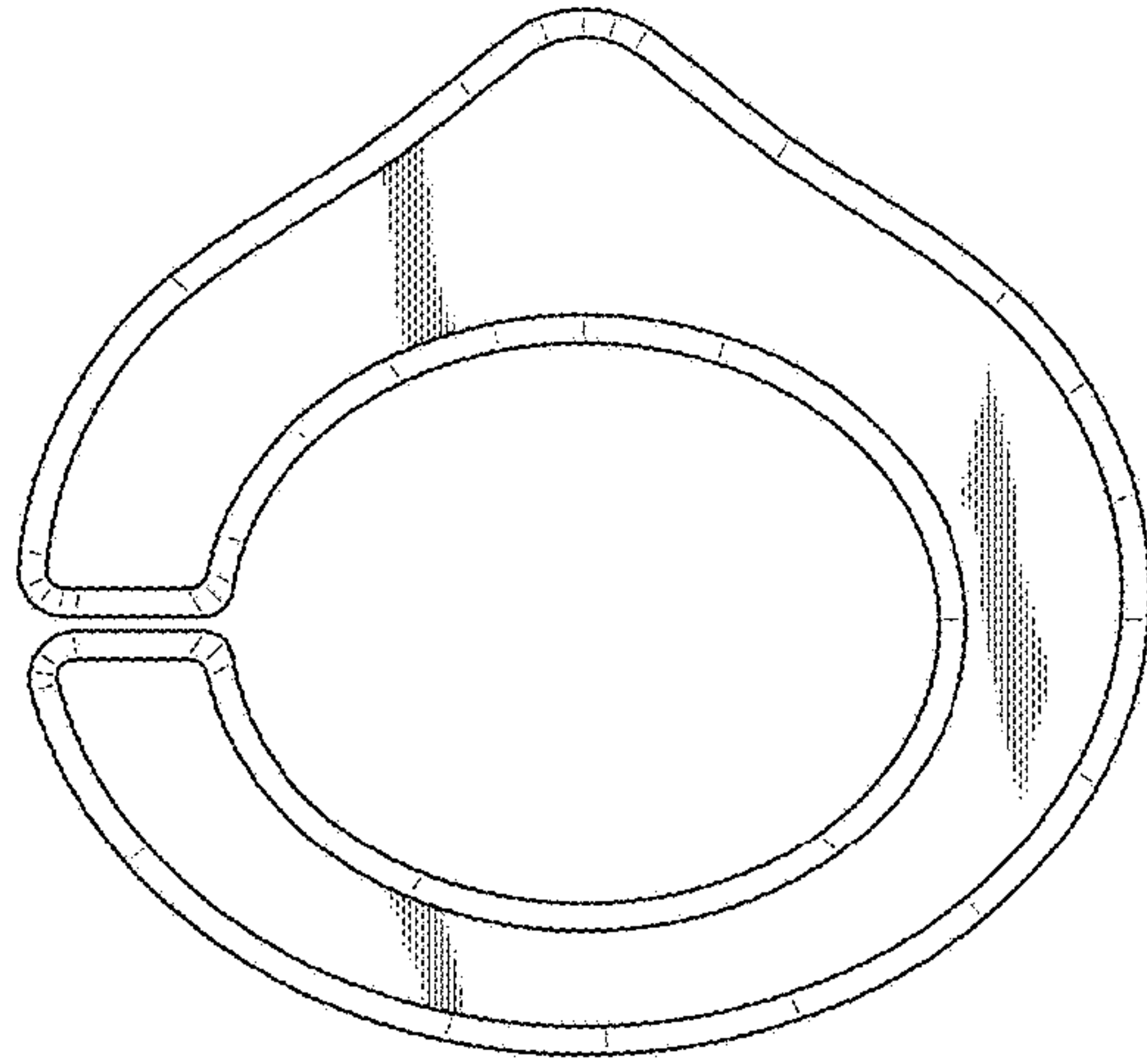


FIG. 9

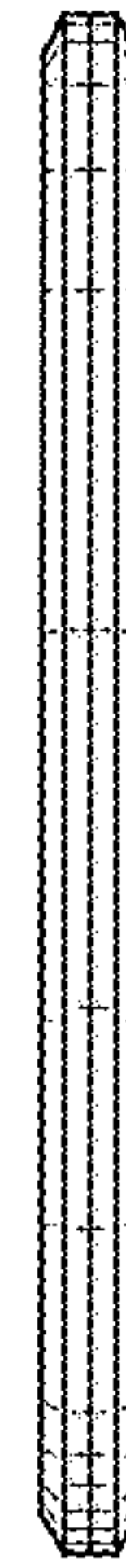


FIG. 14

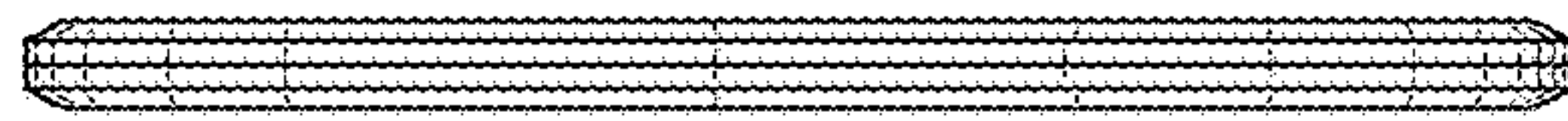


FIG. 12

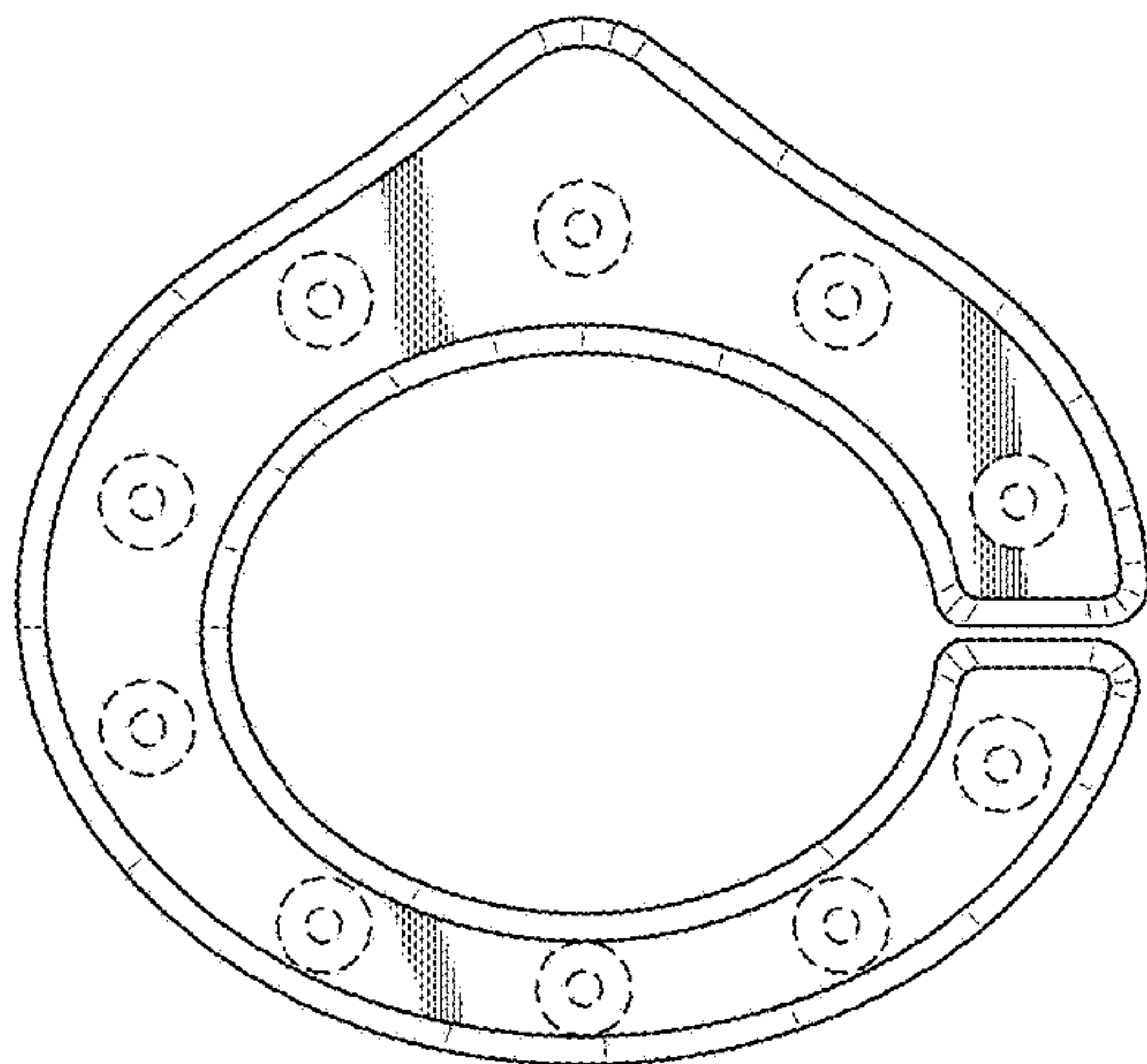


FIG. 10

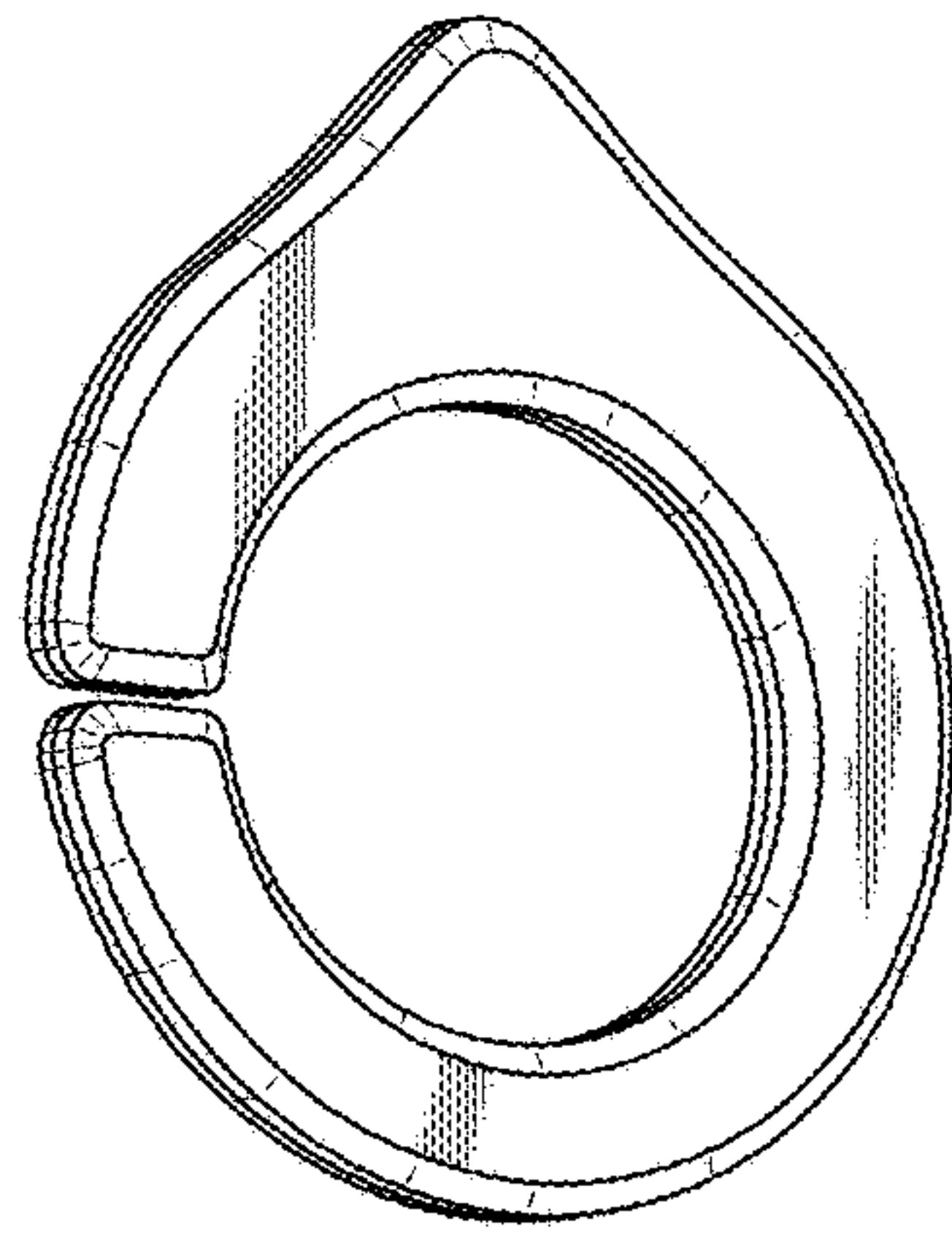


FIG. 15

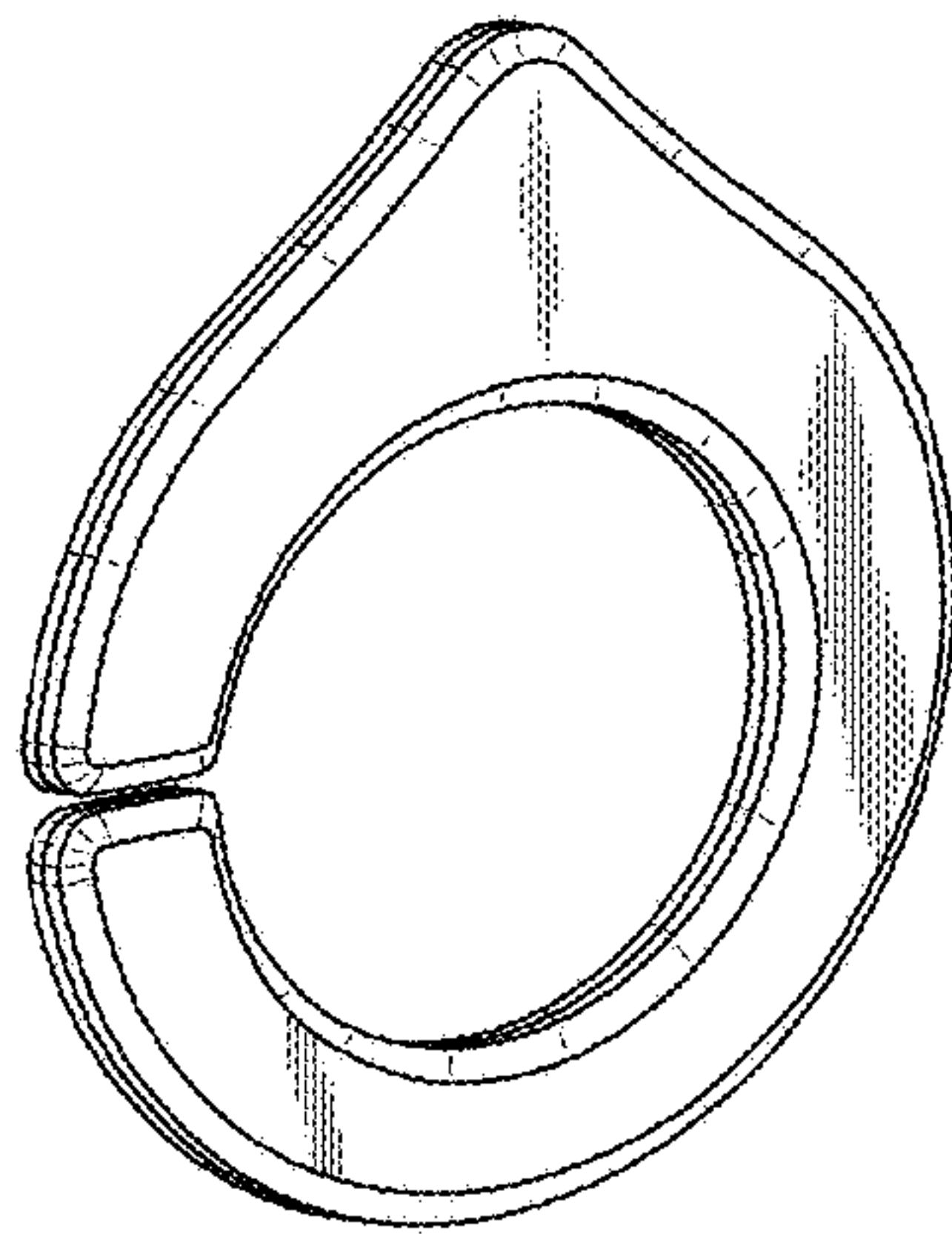


FIG. 16

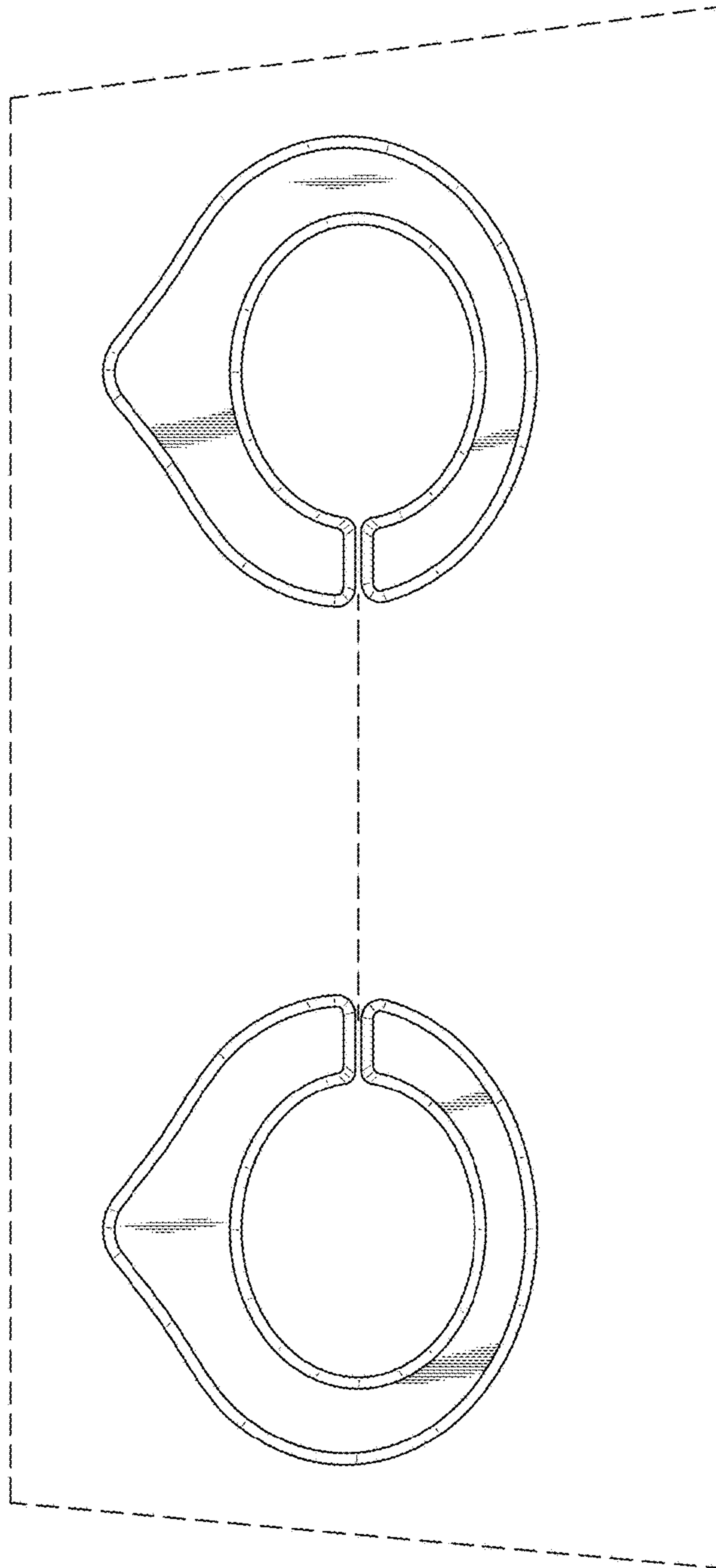


FIG.17