



US00D859962S

(12) **United States Design Patent**  
**Fretz et al.**

(10) **Patent No.:** **US D859,962 S**  
(45) **Date of Patent:** **\*\* Sep. 17, 2019**

- (54) **ROPE LINK**
- (71) Applicant: **Warn Industries, Inc.**, Clackamas, OR (US)
- (72) Inventors: **Darren G. Fretz**, Oregon City, OR (US); **Jackson C. Wang**, Happy Valley, OR (US); **Carole L. Gayley**, Portland, OR (US)
- (73) Assignee: **WARN INDUSTRIES, INC.**, Clackamas, OR (US)

- D351,552 S \* 10/1994 Williams ..... D8/356
- 5,433,547 A \* 7/1995 Hart ..... F16B 39/32  
403/154
- D373,902 S \* 9/1996 Wang ..... D3/318
- D374,391 S \* 10/1996 Mele ..... D8/323
- D433,617 S \* 11/2000 Gray, Jr. .... D8/356
- D520,337 S \* 5/2006 Alvarado ..... D8/323
- D548,044 S \* 8/2007 Tang ..... D8/323
- D604,143 S \* 11/2009 Shnayder ..... D8/349
- D616,286 S \* 5/2010 Foresman ..... D8/354

(Continued)

- (\*\*) Term: **15 Years**
- (21) Appl. No.: **29/654,314**
- (22) Filed: **Jun. 22, 2018**
- (51) **LOC (12) Cl.** ..... **09-06**
- (52) **U.S. Cl.**  
USPC ..... **D8/356**
- (58) **Field of Classification Search**  
USPC ..... D8/356, 354, 349; D30/139; D11/218  
CPC ..... F15B 21/048; F16L 17/06; B66D 1/36  
See application file for complete search history.

(56) **References Cited**

**U.S. PATENT DOCUMENTS**

- 1,009,108 A \* 11/1911 Soss ..... E05D 3/12  
16/366
- 2,566,872 A \* 9/1951 Bernhardt ..... E05D 5/128  
16/250
- 3,972,090 A \* 8/1976 Holmes ..... E05D 11/1014  
16/321
- 4,102,124 A \* 7/1978 Swager ..... F16G 15/06  
403/154
- 4,881,298 A \* 11/1989 Turnbull ..... E05D 5/062  
16/266
- 5,046,881 A \* 9/1991 Swager ..... F16D 25/082  
403/154
- 5,114,260 A \* 5/1992 Hart ..... F16G 15/06  
403/154

**OTHER PUBLICATIONS**

Related U.S. Appl. No. 62/580,289, filed Nov. 1, 2017 entitled "Systems for Winch Rope Interfaces and Recovery Rigging Mountable to a Winch Fairlead and/or Vehicle Bumper".

*Primary Examiner* — Cynthia R Underwood

(74) *Attorney, Agent, or Firm* — K&L Gates LLP

(57) **CLAIM**

The ornamental design for rope link, as shown and described.

**DESCRIPTION**

FIG. 1 illustrates a perspective view of a rope link embodying the invention.

FIG. 2 illustrates a front view of the rope link shown in FIG. 1.

FIG. 3 illustrates a rear view of the rope link shown in FIG. 1.

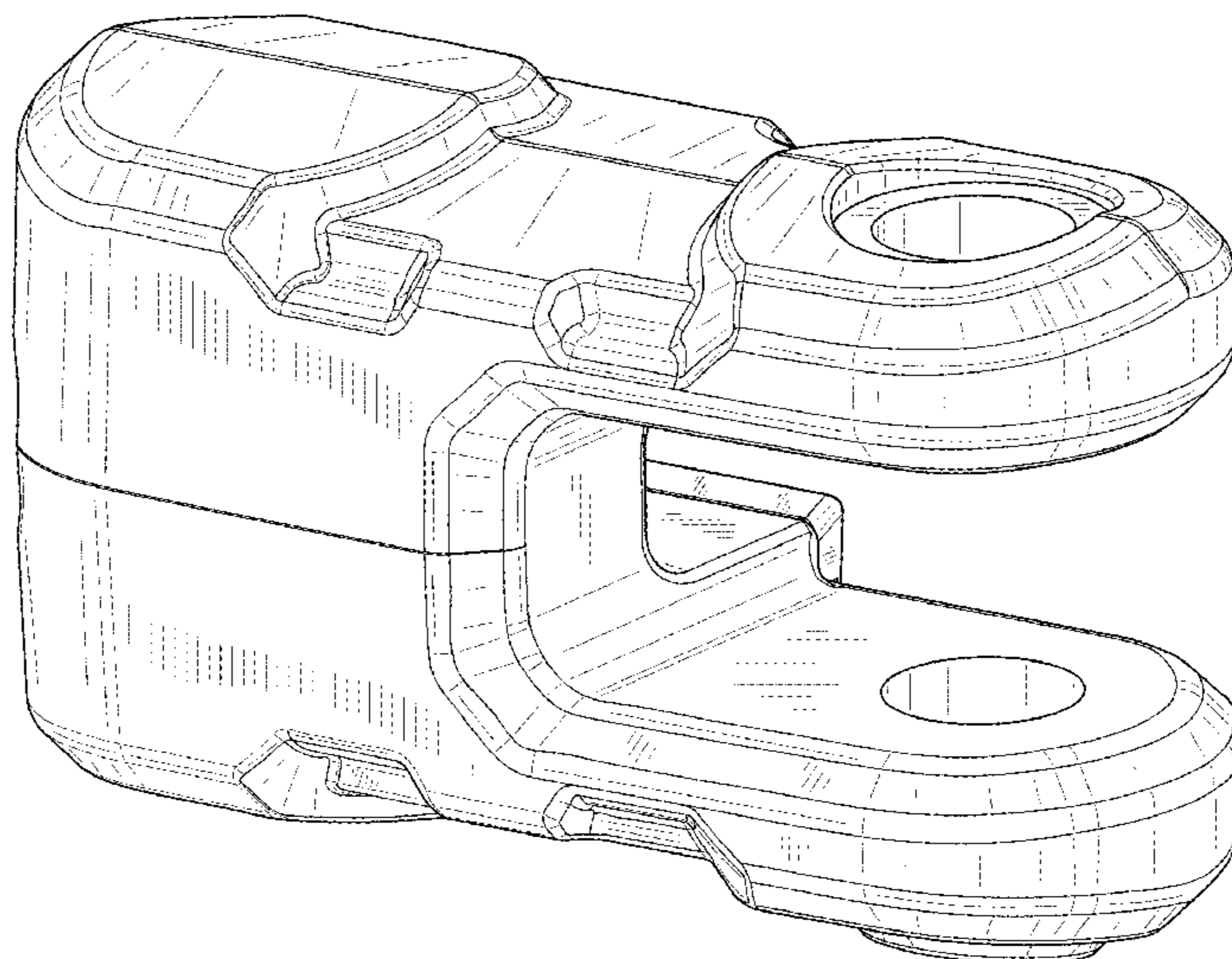
FIG. 4 illustrates a left side view of the rope link shown in FIG. 1.

FIG. 5 illustrates a right side view of the rope link shown in FIG. 1.

FIG. 6 illustrates a top view of the rope link shown in FIG. 1; and,

FIG. 7 illustrates a bottom view of the rope link shown in FIG. 1.

**1 Claim, 6 Drawing Sheets**



(56)

References Cited

U.S. PATENT DOCUMENTS

8,474,795 B2 \* 7/2013 Tjader ..... F16L 55/1658  
 254/280  
 D698,621 S \* 2/2014 Moreau ..... D8/333  
 D703,098 S \* 4/2014 Quan ..... D11/218  
 D707,529 S \* 6/2014 Fretz ..... D8/330  
 D709,546 S \* 7/2014 Goff ..... D16/245  
 D732,377 S \* 6/2015 Miszewski ..... D8/356  
 9,266,702 B2 \* 2/2016 Fretz ..... B66D 1/02  
 9,315,139 B2 \* 4/2016 Hyslop ..... B60P 3/1066  
 9,315,364 B2 \* 4/2016 Averill ..... B66D 1/16  
 D763,665 S \* 8/2016 Hallare ..... D8/356  
 D768,461 S \* 10/2016 Mirick ..... D8/323  
 9,604,826 B2 \* 3/2017 Fretz ..... B66D 1/02  
 D793,209 S \* 8/2017 Galpchian ..... D8/349  
 D804,936 S \* 12/2017 Smith ..... D8/356  
 D807,733 S \* 1/2018 Fretz ..... D8/356  
 D808,244 S \* 1/2018 Fraijo ..... D8/327  
 D811,195 S \* 2/2018 Wang ..... D8/323  
 D814,286 S \* 4/2018 Chapman ..... D8/396  
 D826,700 S \* 8/2018 Feng ..... D8/356  
 10,273,125 B2 \* 4/2019 Hall ..... B66D 1/00  
 2008/0265543 A1 \* 10/2008 Davis ..... B60P 3/1066  
 280/414.1  
 2016/0096709 A1 \* 4/2016 Averill ..... B66D 1/12  
 254/267  
 2016/0107728 A1 \* 4/2016 Brenner ..... B63B 21/10  
 254/389

\* cited by examiner

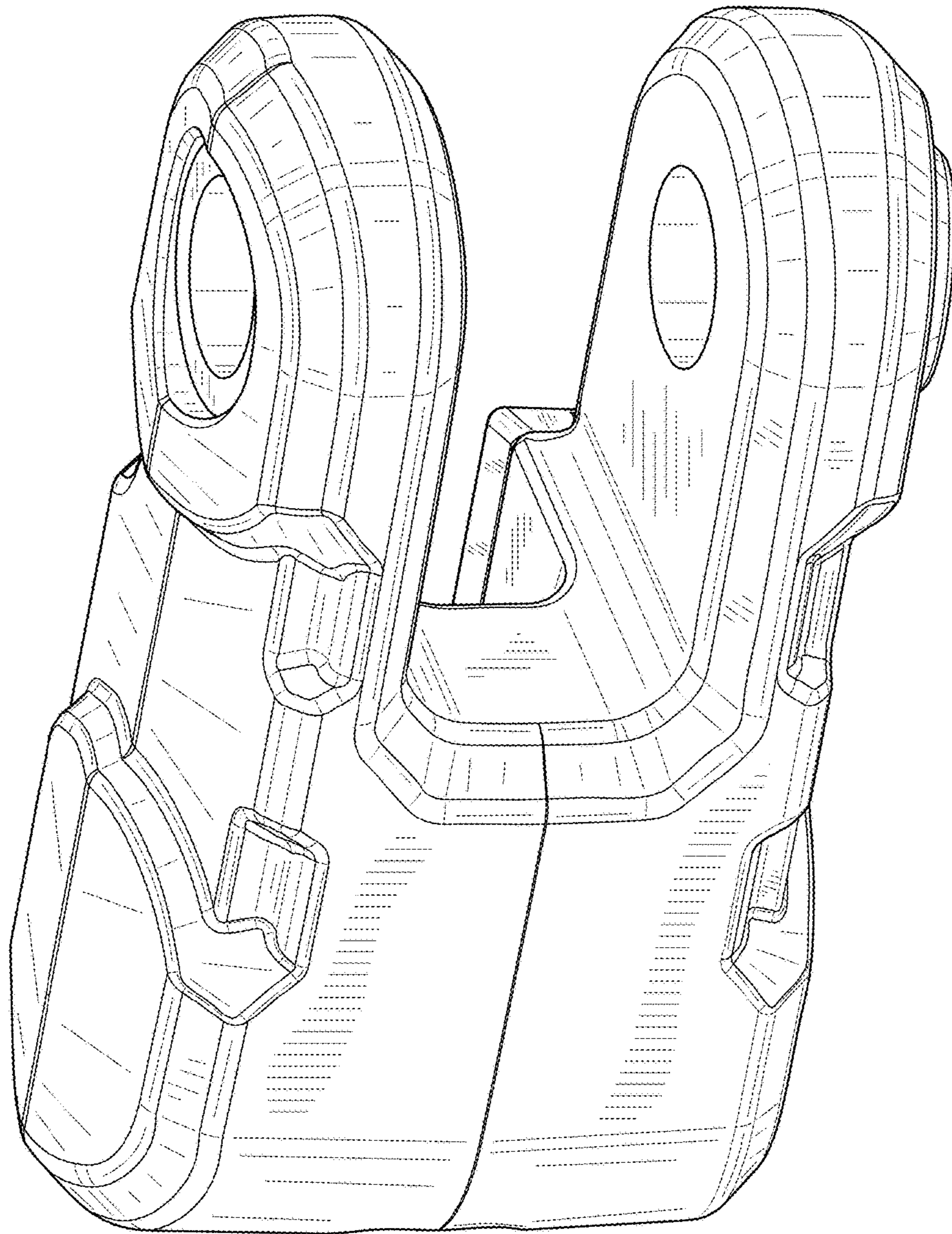


FIG. 1



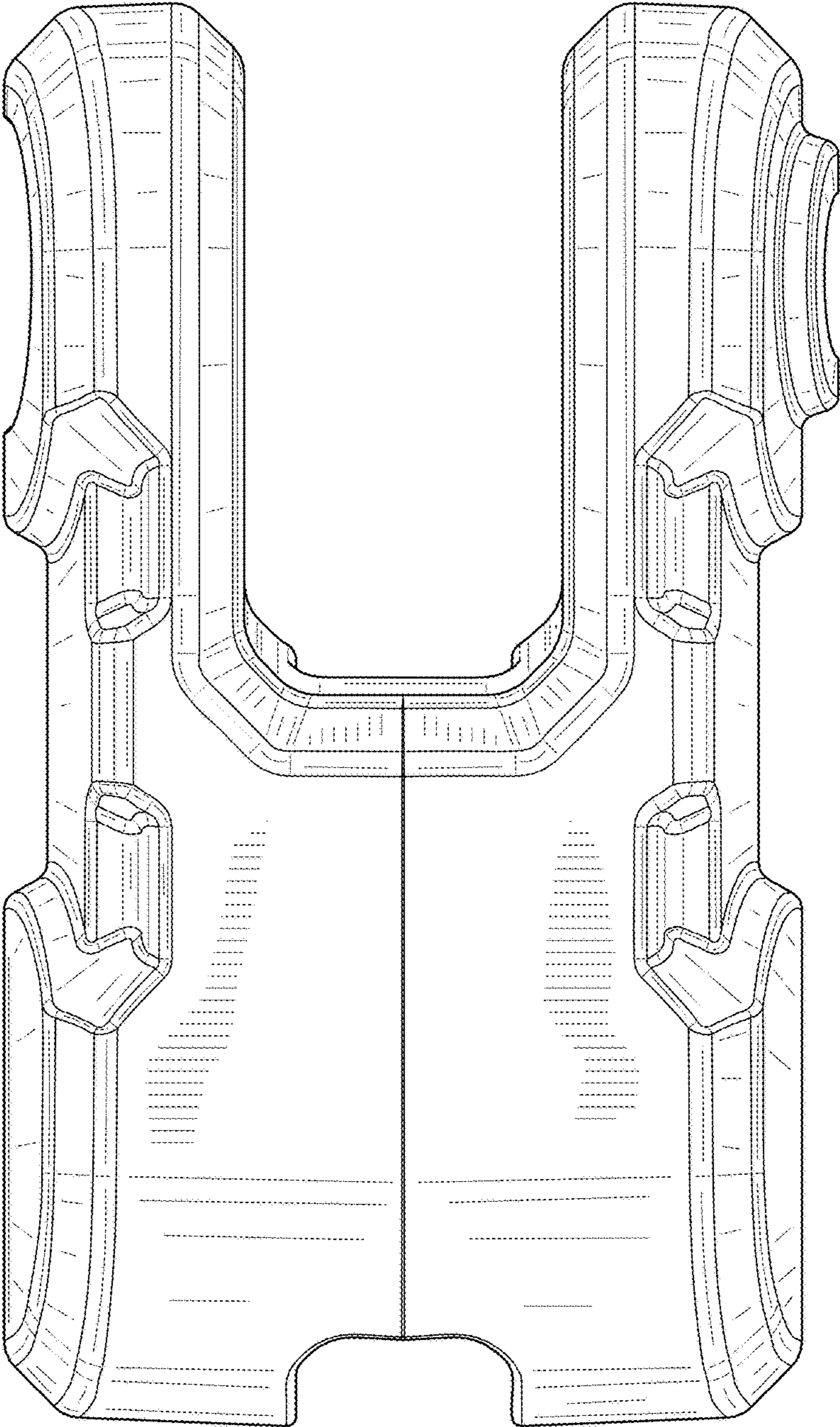


FIG. 2

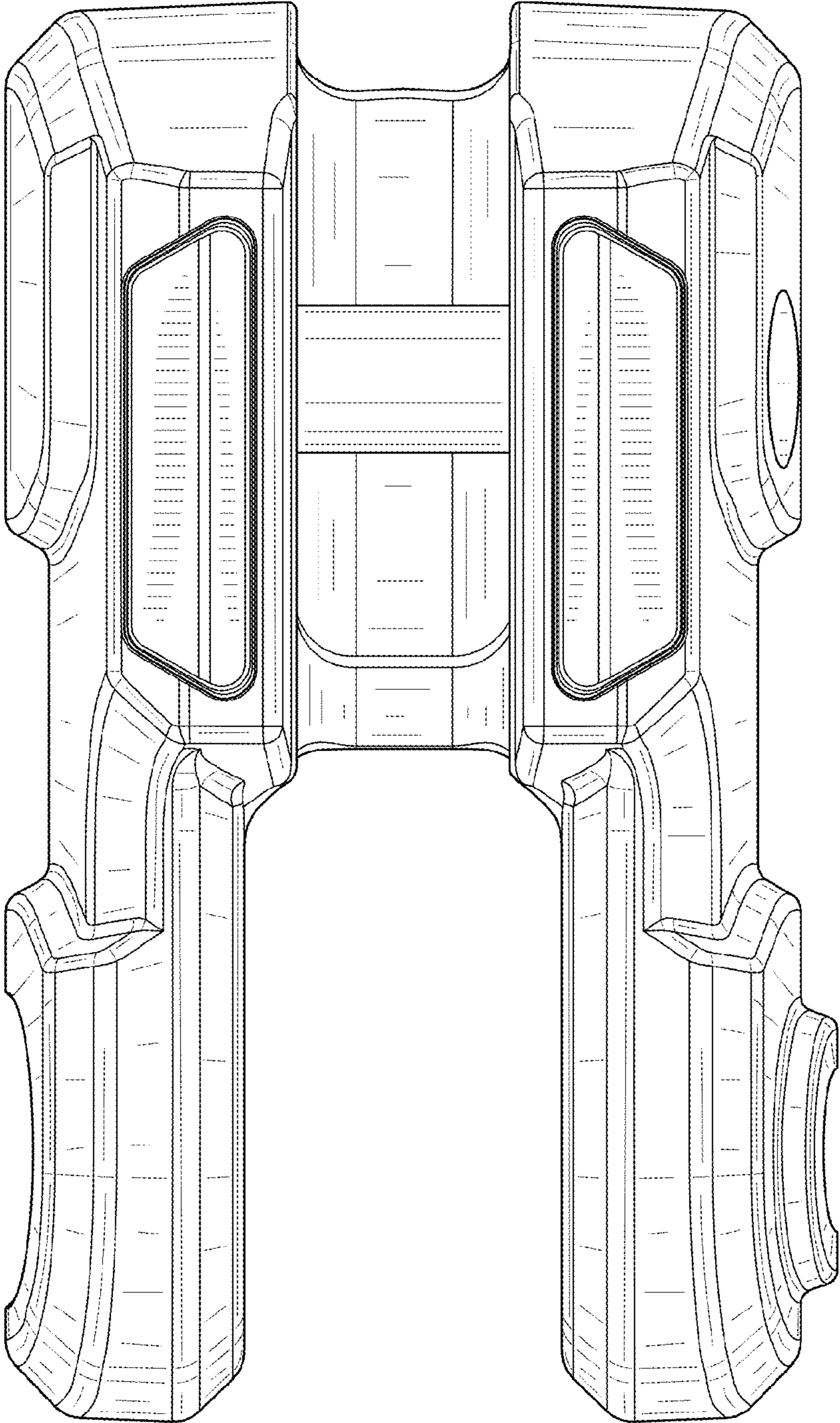


FIG. 3

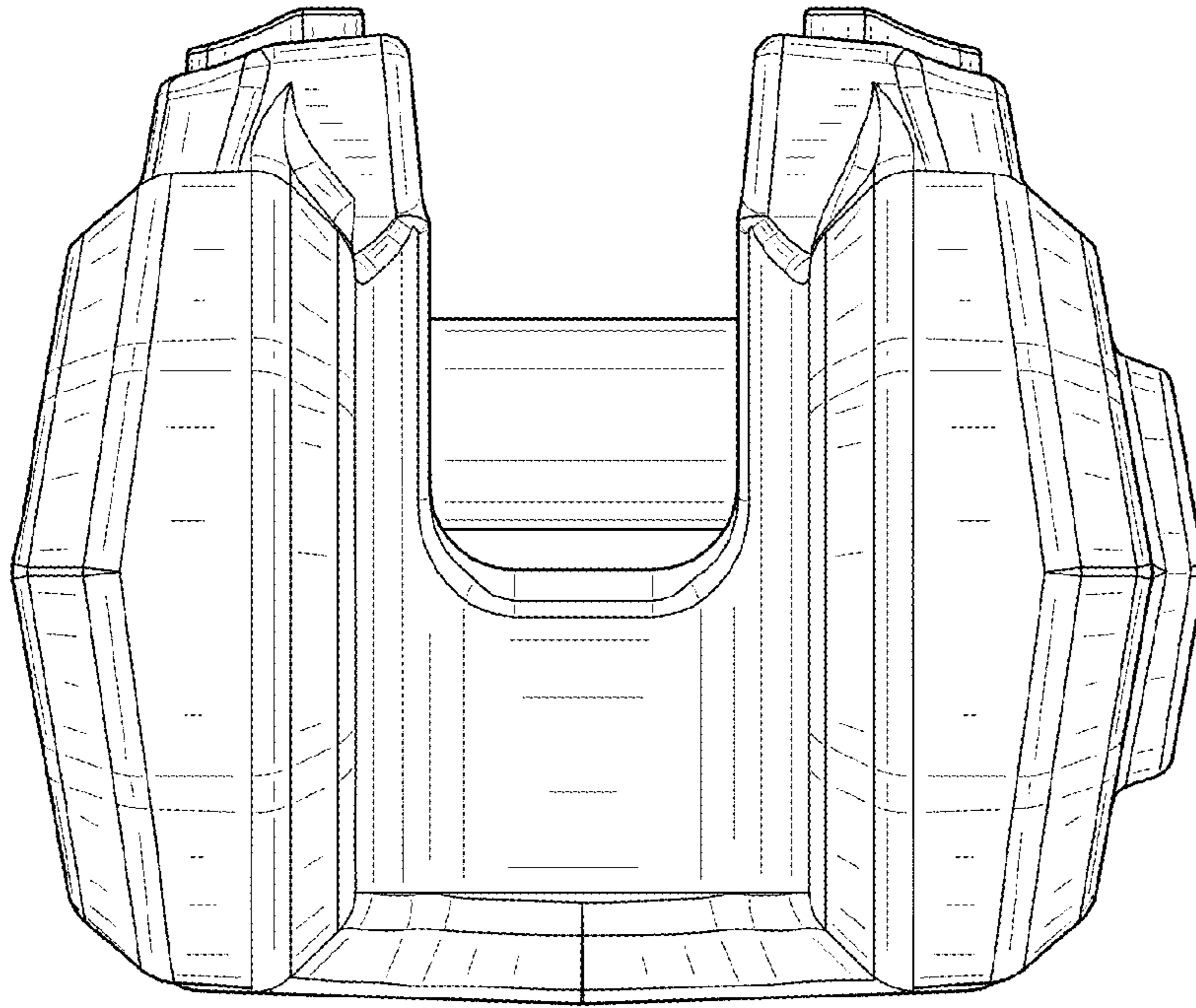


FIG. 5

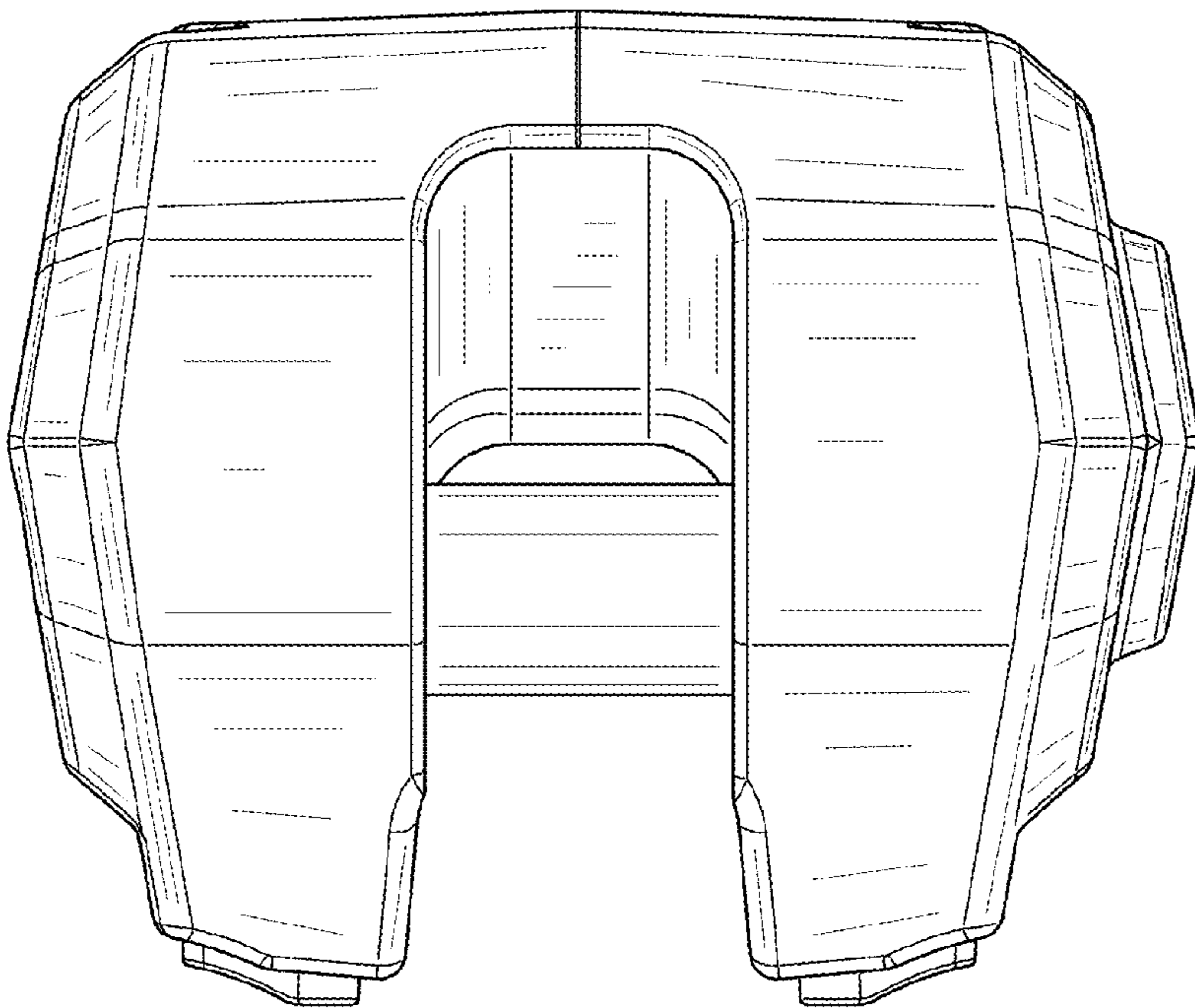


FIG. 4



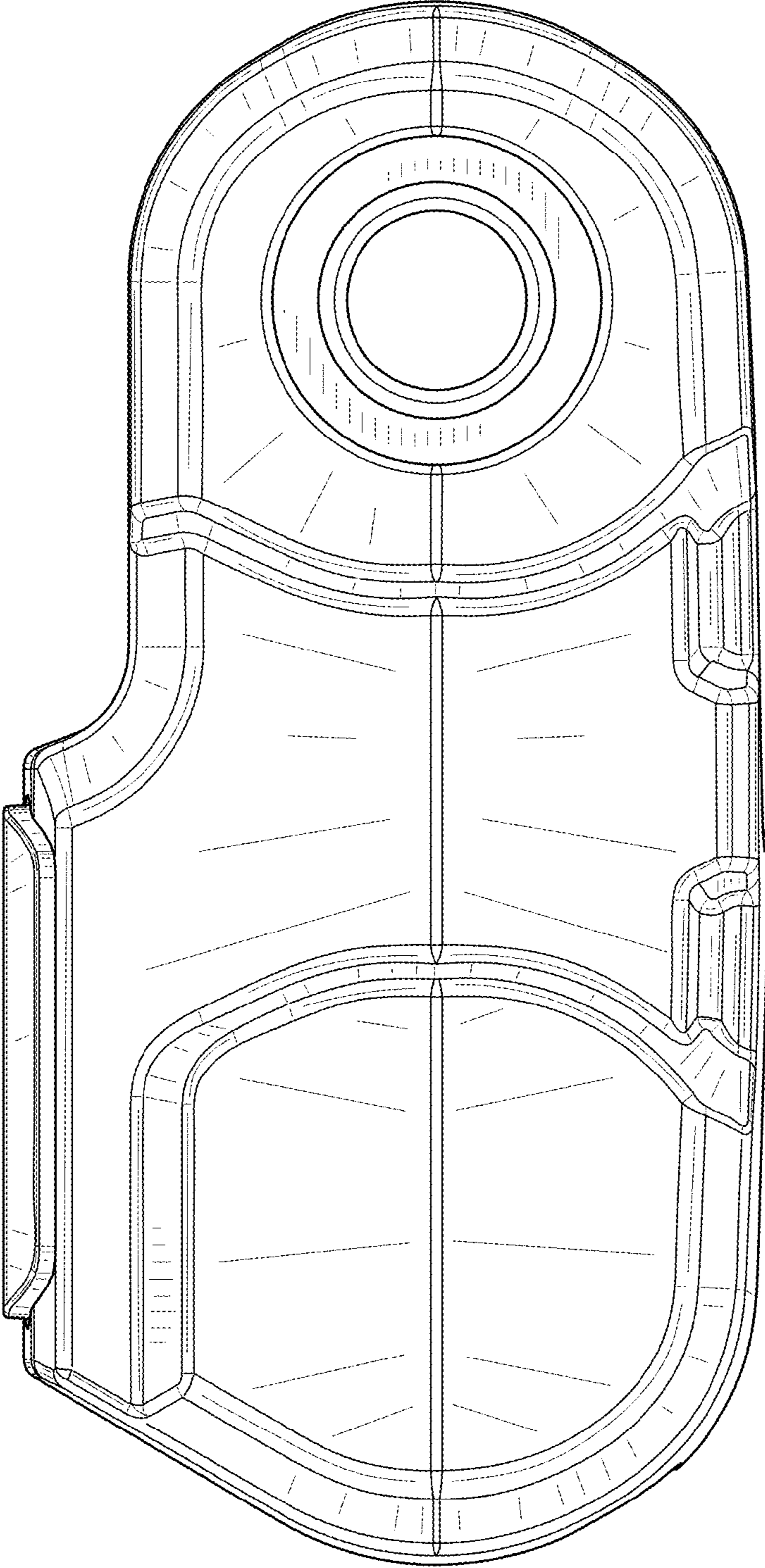


FIG. 6

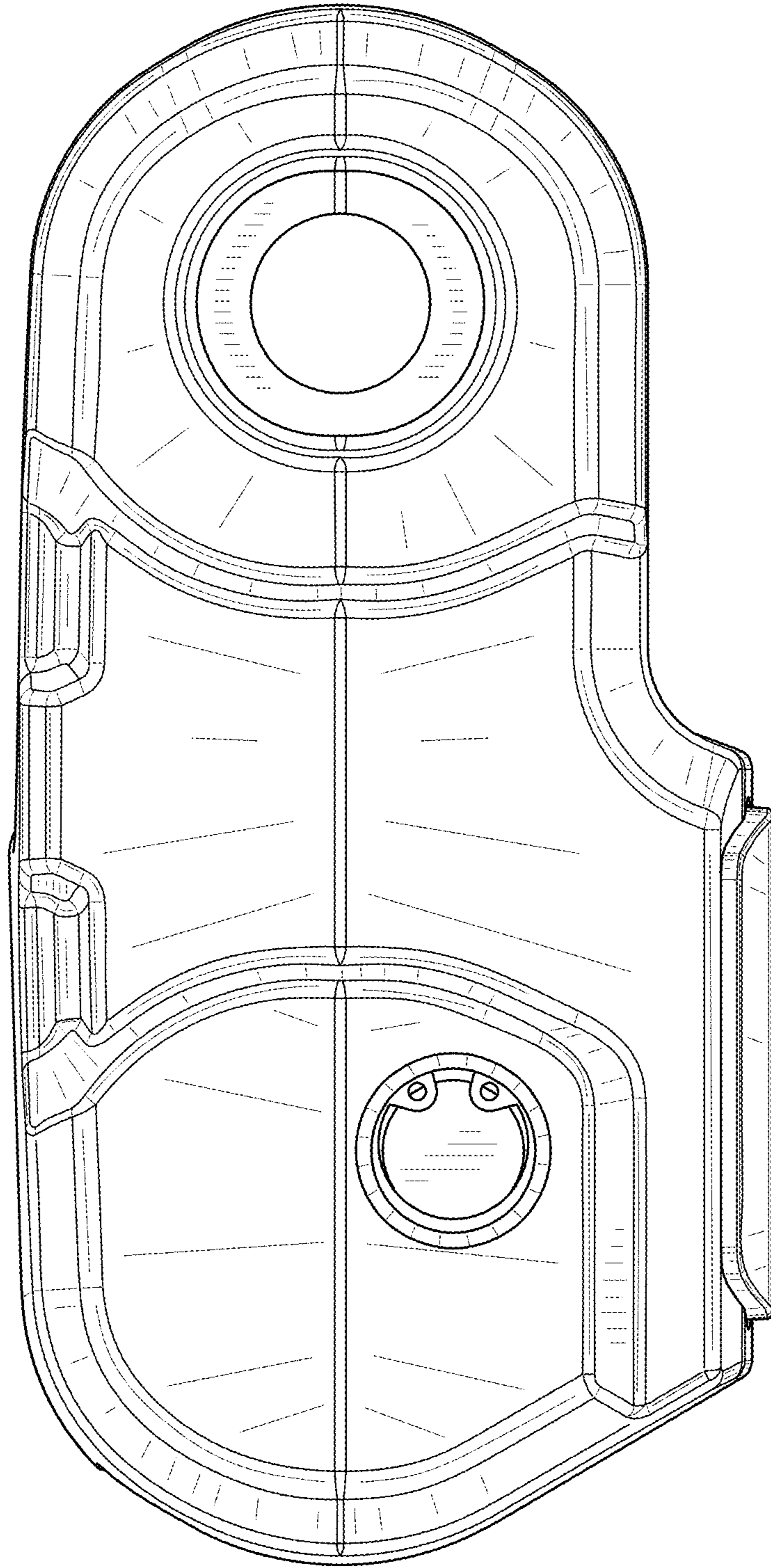


FIG. 7