



US00D859960S

(12) **United States Design Patent** (10) **Patent No.:** **US D859,960 S**
Falkenhayn (45) **Date of Patent:** **** Sep. 17, 2019**

(54) **SPOOL TOOL**
(71) Applicant: **EXOTAC, INC.**, Winder, GA (US)
(72) Inventor: **Rob Falkenhayn**, Hoschton, GA (US)
(73) Assignee: **Exotac, Inc.**, Winder, GA (US)
(**) Term: **15 Years**
(21) Appl. No.: **29/646,721**
(22) Filed: **May 7, 2018**
(51) **LOC (12) Cl.** **09-06**
(52) **U.S. Cl.**
USPC **D8/356**
(58) **Field of Classification Search**
USPC D8/356, 354, 349, 360; D30/139;
D11/218
See application file for complete search history.

D707,106 S * 6/2014 Crouse D8/356
D707,107 S * 6/2014 Crouse D8/356
D731,555 S * 6/2015 Lee D15/5
D735,020 S * 7/2015 Bradford D8/356
D736,833 S * 8/2015 Lee D15/5
D752,339 S * 3/2016 Hoover D3/23
D758,836 S * 6/2016 Symons D8/383
D803,666 S * 11/2017 Morley D8/356
D813,015 S * 3/2018 O'Brien D8/356
D814,273 S * 4/2018 Karpanty D8/356
D831,468 S * 10/2018 Morley D8/356
D841,443 S * 2/2019 Foster, II D8/360.1

* cited by examiner

Primary Examiner — Cynthia R Underwood
(74) *Attorney, Agent, or Firm* — Eversheds Sutherland
(US) LLP

(57) **CLAIM**

I claim the ornamental design for a spool tool, as shown and described.

DESCRIPTION

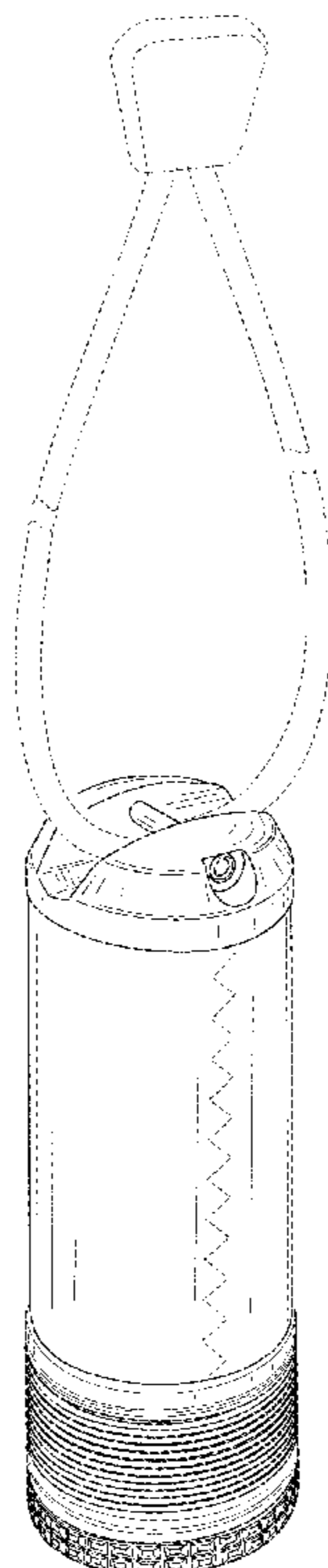
FIG. 1 is a perspective view of a spool tool according to the disclosure;
FIG. 2 is a front view thereof;
FIG. 3 is a back view thereof;
FIG. 4 is a side view thereof;
FIG. 5 is a side view thereof;
FIG. 6 is a top view thereof; and,
FIG. 7 is a bottom view thereof.
The broken lines represent environment and form no part of the claim.

1 Claim, 6 Drawing Sheets

(56) **References Cited**

U.S. PATENT DOCUMENTS

3,066,372 A * 12/1962 Parker A01K 91/04
24/128
D257,321 S * 10/1980 Voorhees, Jr. D8/356
D313,340 S * 1/1991 Stathis D8/356
D428,796 S * 8/2000 van Ochten D8/349
7,121,829 B2 * 10/2006 Day A61C 8/0087
433/163
D569,349 S * 5/2008 Preston D13/156
D631,730 S * 2/2011 Skillman B65H 75/143
D8/356
D682,909 S * 5/2013 Kim 24/115 R



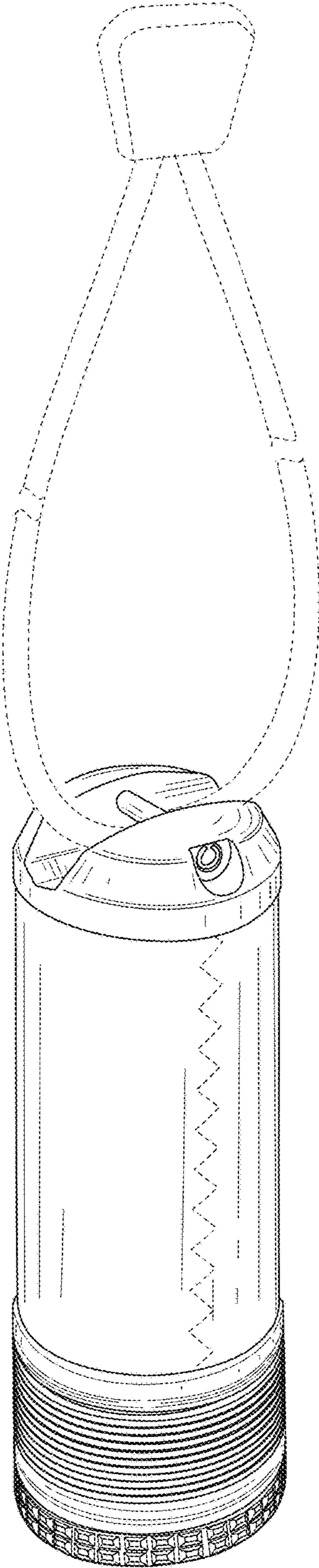


FIG. 1

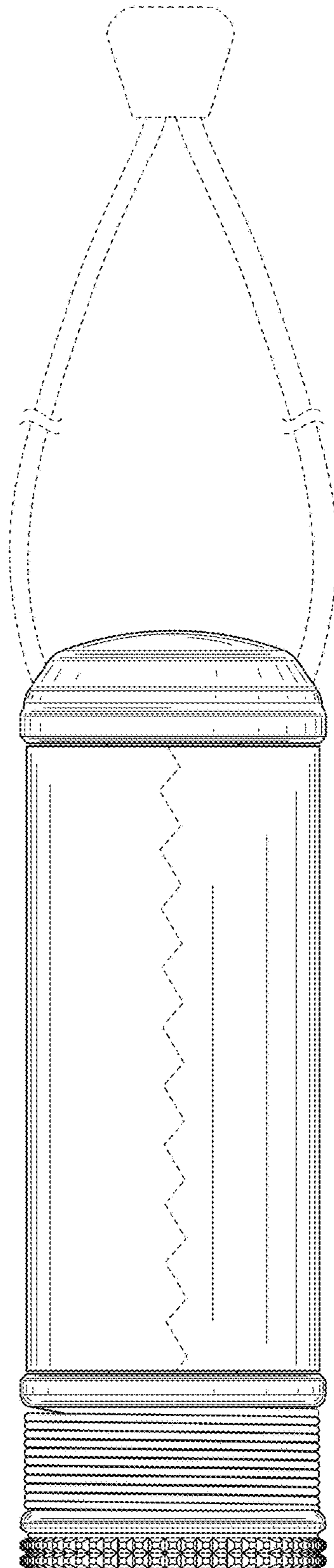


FIG. 2

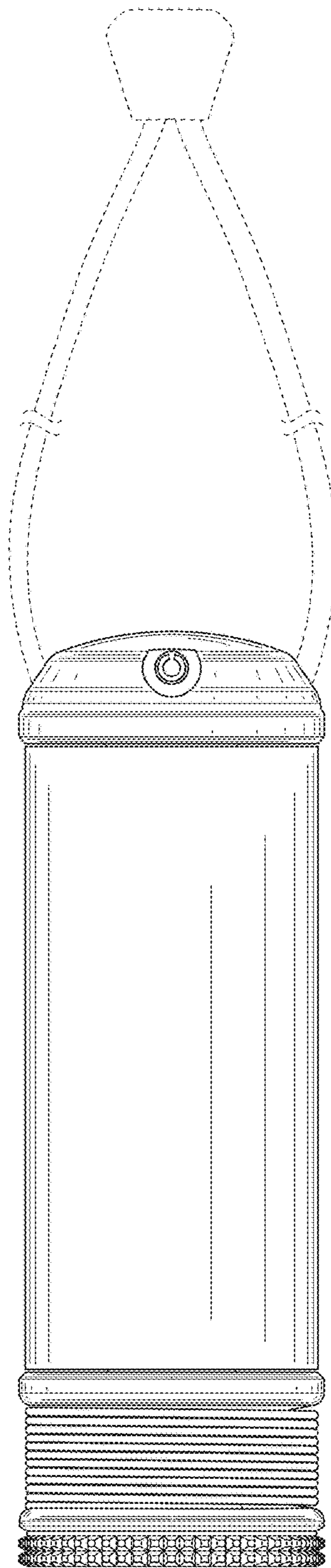


FIG. 3

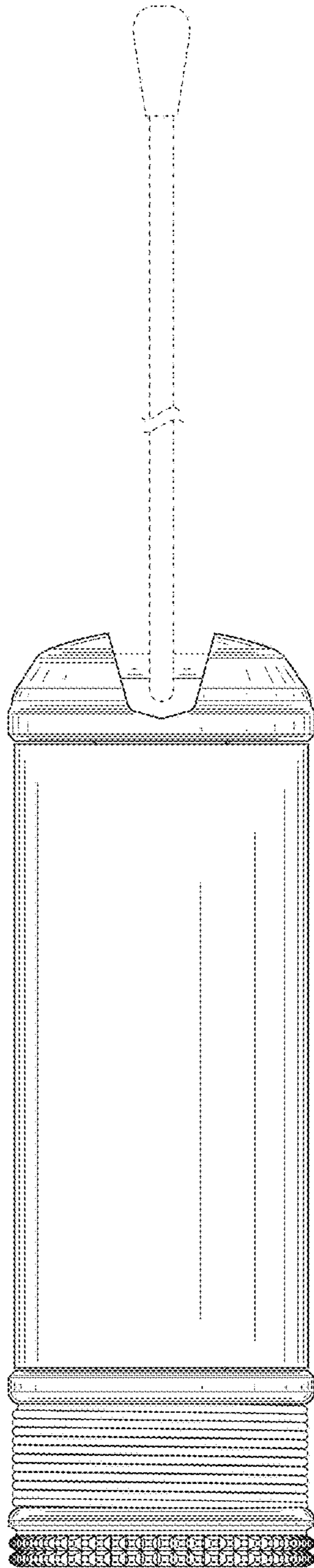


FIG. 4

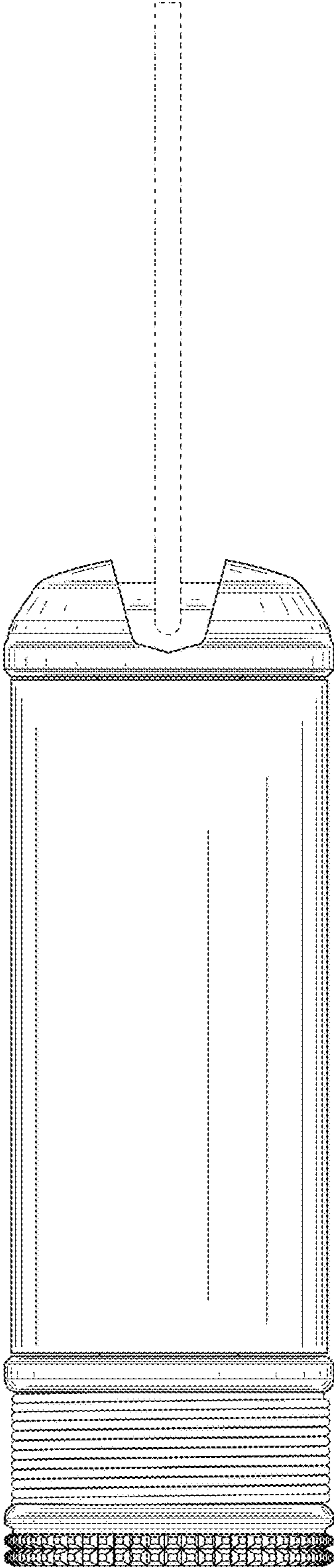


FIG. 5

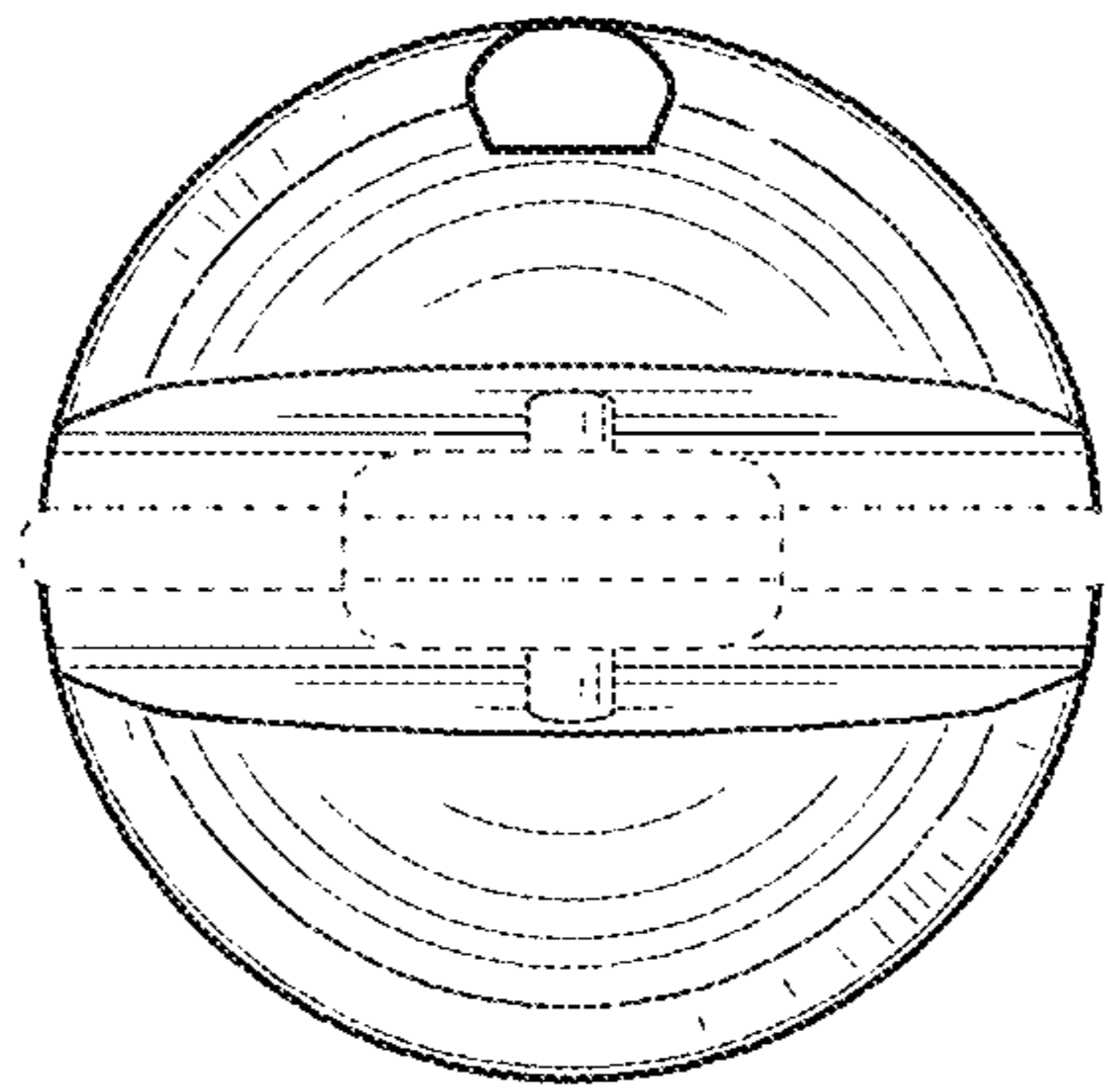


FIG. 6

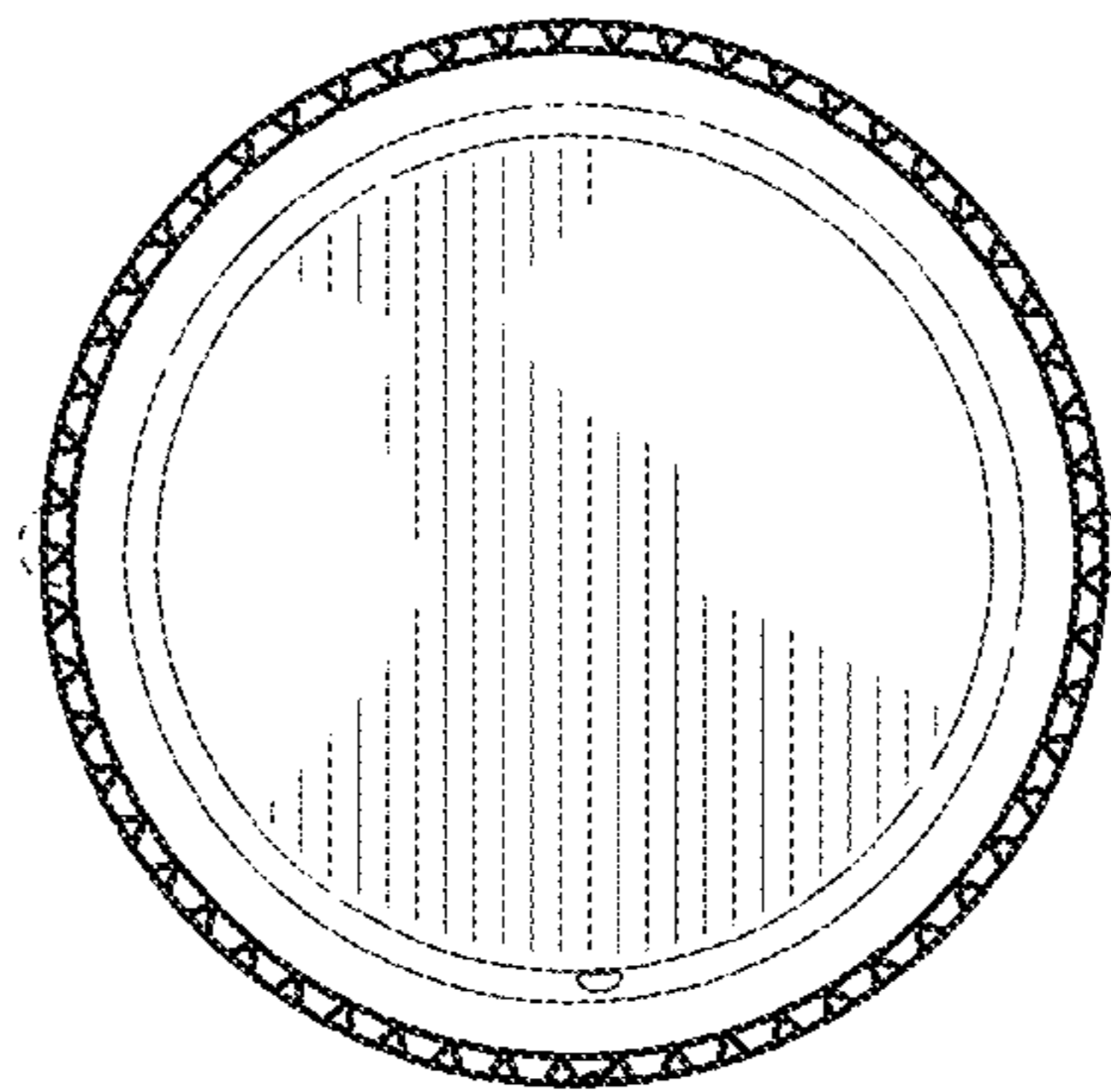


FIG. 7