



US00D859959S

(12) **United States Design Patent** (10) **Patent No.:** **US D859,959 S**  
**Sawyer** (45) **Date of Patent:** **\*\* Sep. 17, 2019**

(54) **SLING KEEPER COMPRISED OF A HANDLE, A NUT, AND A HOLDER**

FOREIGN PATENT DOCUMENTS

(71) Applicant: **Lawrence M. Sawyer**, Minneapolis, MN (US)

DE 4325440 C2 12/1995

(72) Inventor: **Lawrence M. Sawyer**, Minneapolis, MN (US)

OTHER PUBLICATIONS

(\*\*) Term: **15 Years**

Champions Choice Inc., "CC Metal Sling Keeper (1-1/2)," Part #CCSK150, Product Description, no date (2 pgs).

(Continued)

(21) Appl. No.: **29/621,472**

*Primary Examiner* — Cynthia R Underwood

(74) *Attorney, Agent, or Firm* — Merchant & Gould P.C.

(22) Filed: **Oct. 9, 2017**

(51) **LOC (12) Cl.** ..... **09-06**

(57) **CLAIM**

(52) **U.S. Cl.**  
USPC ..... **D8/356**; D8/398; D22/108

The ornamental design for a sling keeper comprised of a handle, a nut, and a holder, as shown and described.

(58) **Field of Classification Search**  
USPC ..... D8/356, 354, 349, 360, 398, 394, 382; 224/150; 42/85; D22/108  
CPC ..... B65H 57/16; E02D 5/803; B63B 21/045; B63B 59/02; B60D 1/18; B60P 1/103; Y10T 24/3918; A62B 35/0081; A62B 1/14; F41C 23/02  
See application file for complete search history.

**DESCRIPTION**

(56) **References Cited**

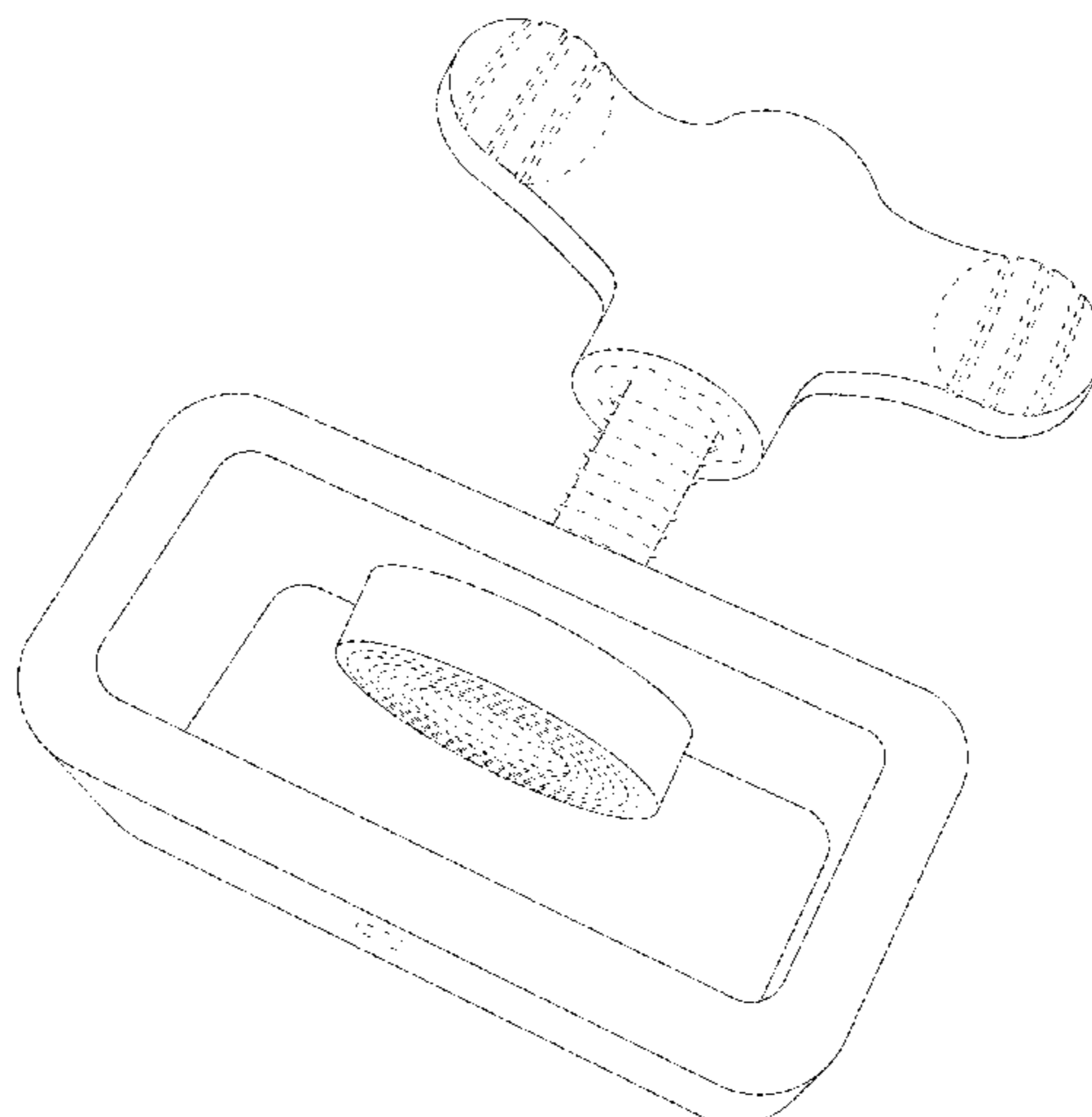
U.S. PATENT DOCUMENTS

2,032,342 A	3/1936	Albree	
2,059,949 A	11/1936	Imler	
2,463,263 A	3/1949	Gordon	
2,480,129 A	8/1949	Gebler	
2,550,433 A	4/1951	Tichenor	
3,226,872 A *	1/1966	Pachmayr	..... F41C 23/02 42/85
D257,988 S *	1/1981	Nakamoto	..... 84/318
D281,508 S	11/1985	McKinney, III	
4,823,998 A	4/1989	Johson	
4,832,299 A	5/1989	Gorton et al.	
6,354,034 B1 *	3/2002	Norris, Sr.	..... F41C 23/02 42/85
7,654,027 B1 *	2/2010	Grover	..... F16B 21/165 24/573.11

FIG. 1 is a right, front side perspective view of an embodiment of a sling keeper comprised of a handle, a nut and a holder, according to the present disclosure;  
FIG. 2 is a bottom, right, front side perspective view of the embodiment of FIG. 1;  
FIG. 3 is a bottom, front side perspective view of the handle and nut separated from the holder of the embodiment of FIG. 1;  
FIG. 4 is a bottom, right, front side perspective view of the handle separated from the nut and the holder of the embodiment of FIG. 1;  
FIG. 5 is a top, front side perspective view of the nut separated from the handle and the holder of the embodiment of FIG. 1; and,  
FIG. 6 is a top, right, front side perspective view of the holder separated from the handle and the nut of the embodiment of FIG. 1.  
The broken lines represent environment that form no part of the claim.

(Continued)

**1 Claim, 4 Drawing Sheets**



(56)

**References Cited**

U.S. PATENT DOCUMENTS

7,654,028 B1 \* 2/2010 Grover ..... F41C 23/02  
 224/150  
 D625,977 S \* 10/2010 Watson ..... D23/262  
 D639,890 S \* 6/2011 Troy, Jr. .... D22/108  
 7,973,227 B2 \* 7/2011 Paige ..... G10D 3/043  
 84/318  
 8,429,798 B1 4/2013 Paigen  
 8,516,732 B2 \* 8/2013 Burnsed, Jr. .... F41C 23/02  
 24/573.11  
 8,832,986 B2 \* 9/2014 Mayberry ..... F41C 33/006  
 224/150  
 D725,217 S \* 3/2015 Heidkamp ..... D22/108  
 9,052,156 B2 6/2015 Nevils et al.  
 D746,404 S \* 12/2015 Chow ..... D22/108  
 9,243,866 B2 \* 1/2016 Roberts ..... F41C 23/02  
 9,447,815 B2 \* 9/2016 Roberts ..... F16B 45/00  
 D798,422 S \* 9/2017 Yarborough ..... D23/261  
 D803,342 S \* 11/2017 Goff ..... D22/108  
 9,921,029 B2 \* 3/2018 Roberts ..... F41G 11/003

D814,287 S \* 4/2018 Smith ..... D8/398  
 D817,752 S \* 5/2018 Engel ..... D8/398  
 2004/0108738 A1 6/2004 Marry  
 2007/0278261 A1 \* 12/2007 Gallagher ..... F41C 33/001  
 224/150  
 2010/0251873 A1 10/2010 Paige  
 2013/0305582 A1 \* 11/2013 Mayberry ..... F41C 33/006  
 42/85  
 2016/0066465 A1 3/2016 Peng et al.  
 2016/0161214 A1 \* 6/2016 Eble ..... F41G 11/003  
 42/90  
 2016/0339194 A1 11/2016 Molden et al.

OTHER PUBLICATIONS

Champion Shooters Supply, "Hand Stops and Sling Hoods: Freeland Sling Keeper," Product Description, Aug. 30, 2017 (3 pgs).  
 HPS Target Rifles Limited, "Cotton Webbing Two Point Sling," Product Description, Aug. 30, 2017 (3 pgs).

\* cited by examiner

FIG. 1

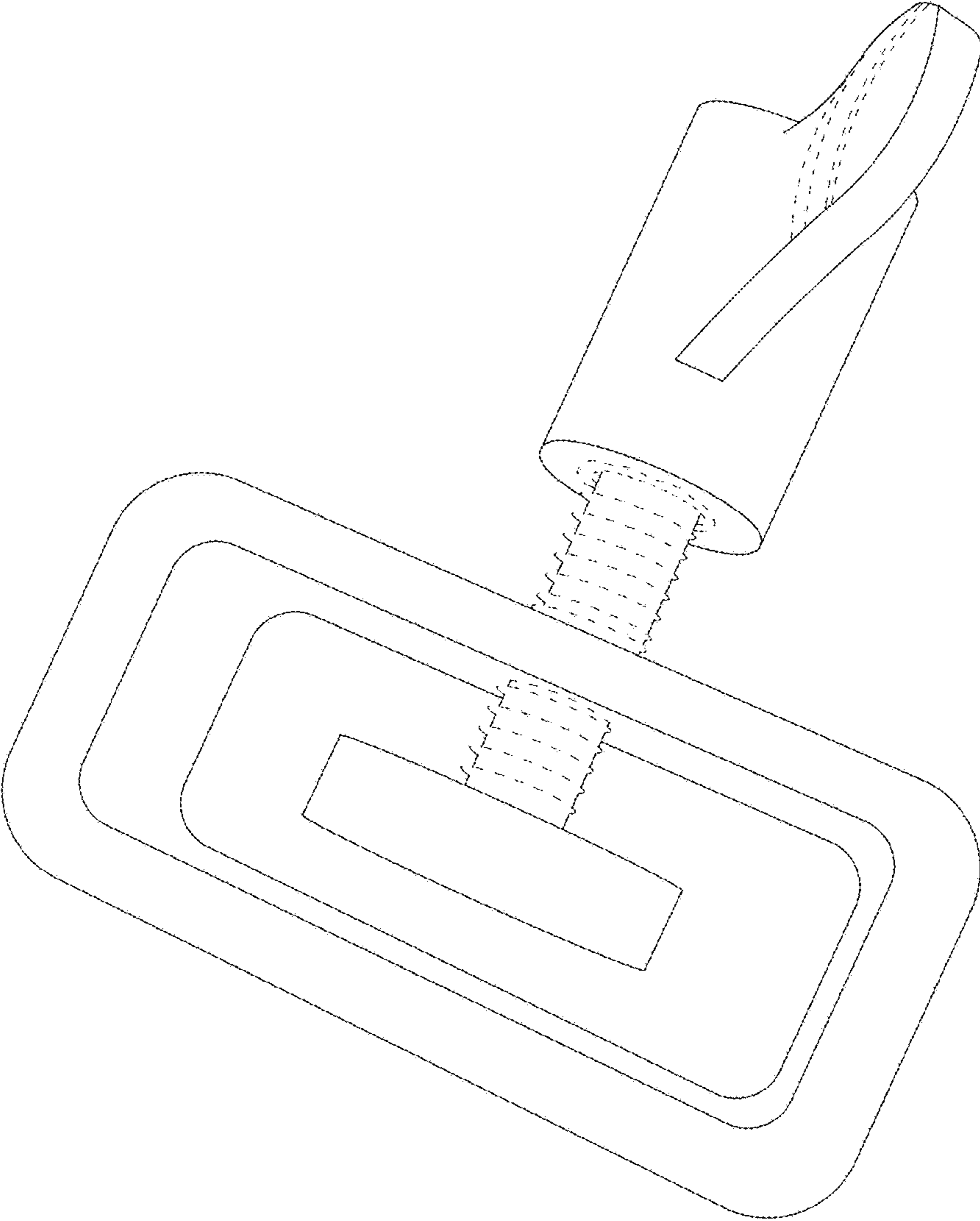


FIG. 2

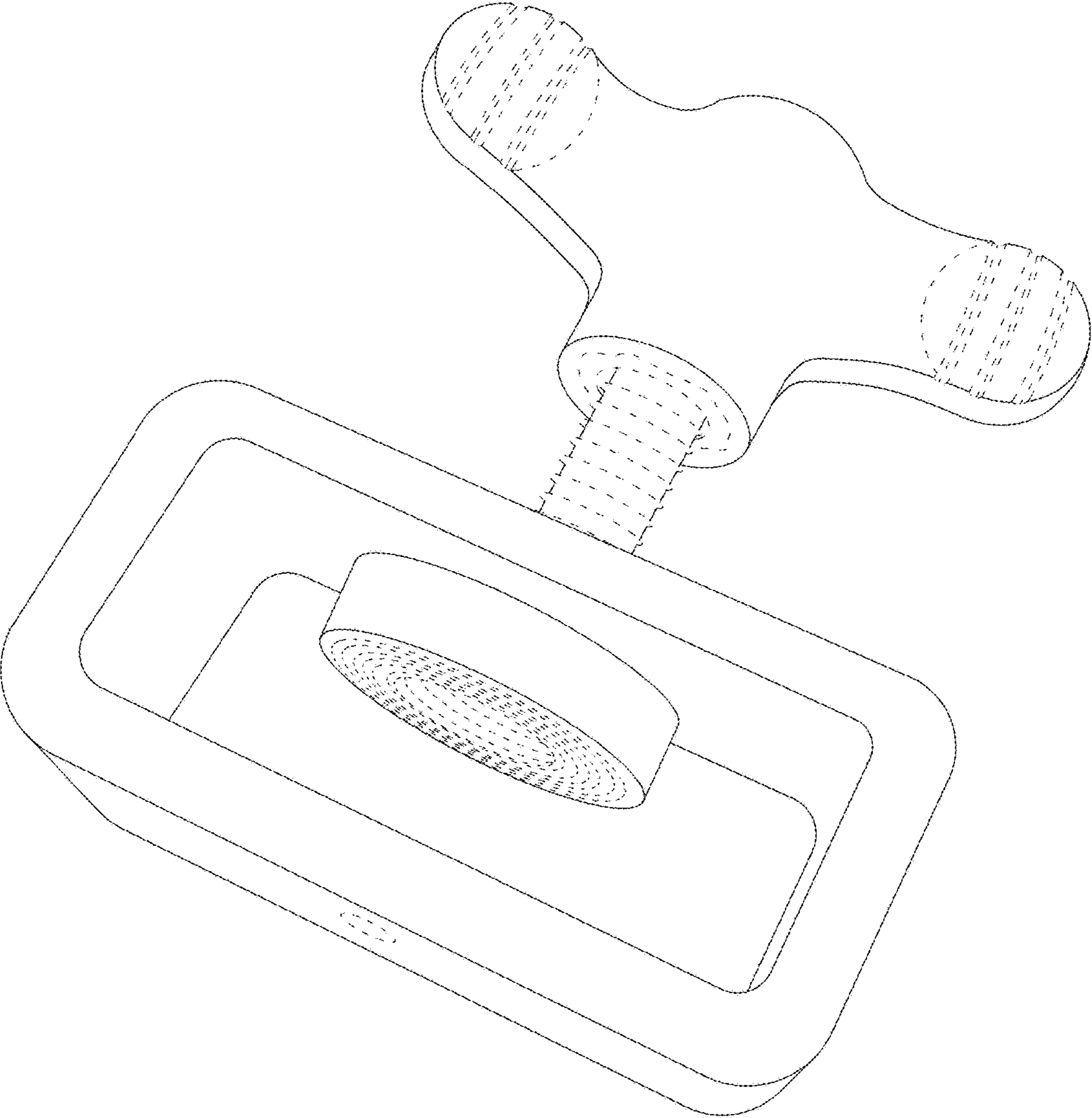


FIG. 3

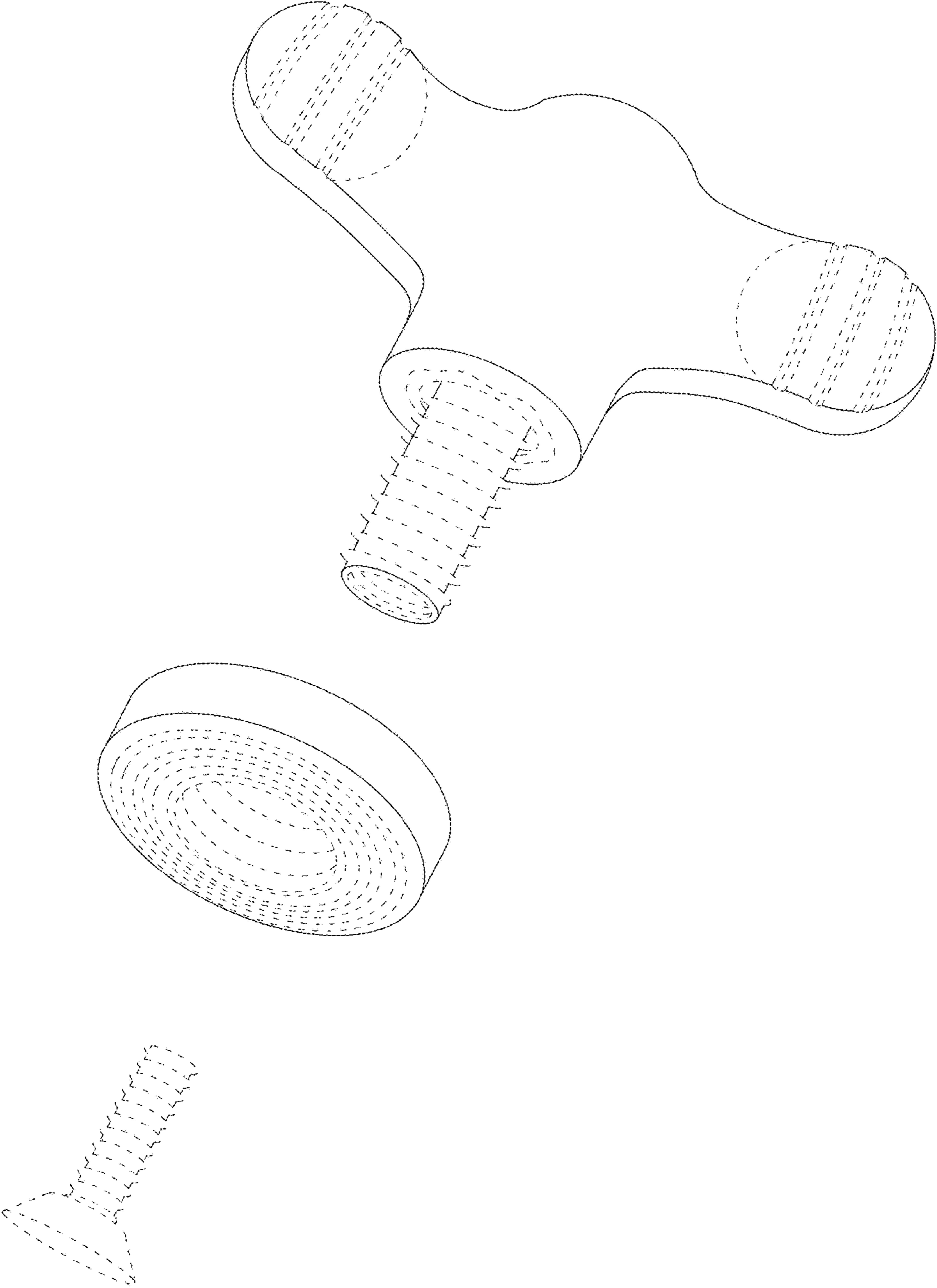




FIG. 4

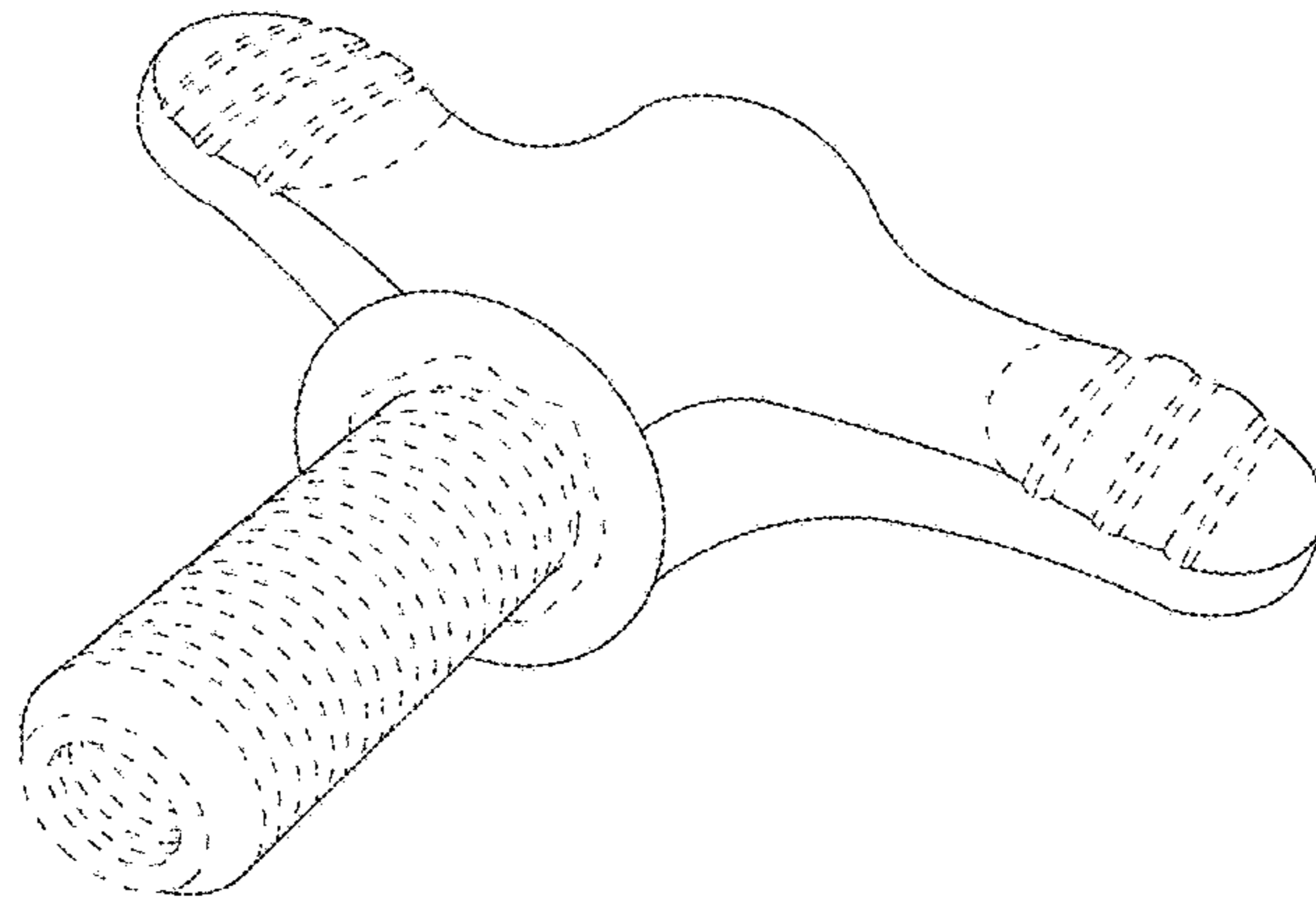


FIG. 5

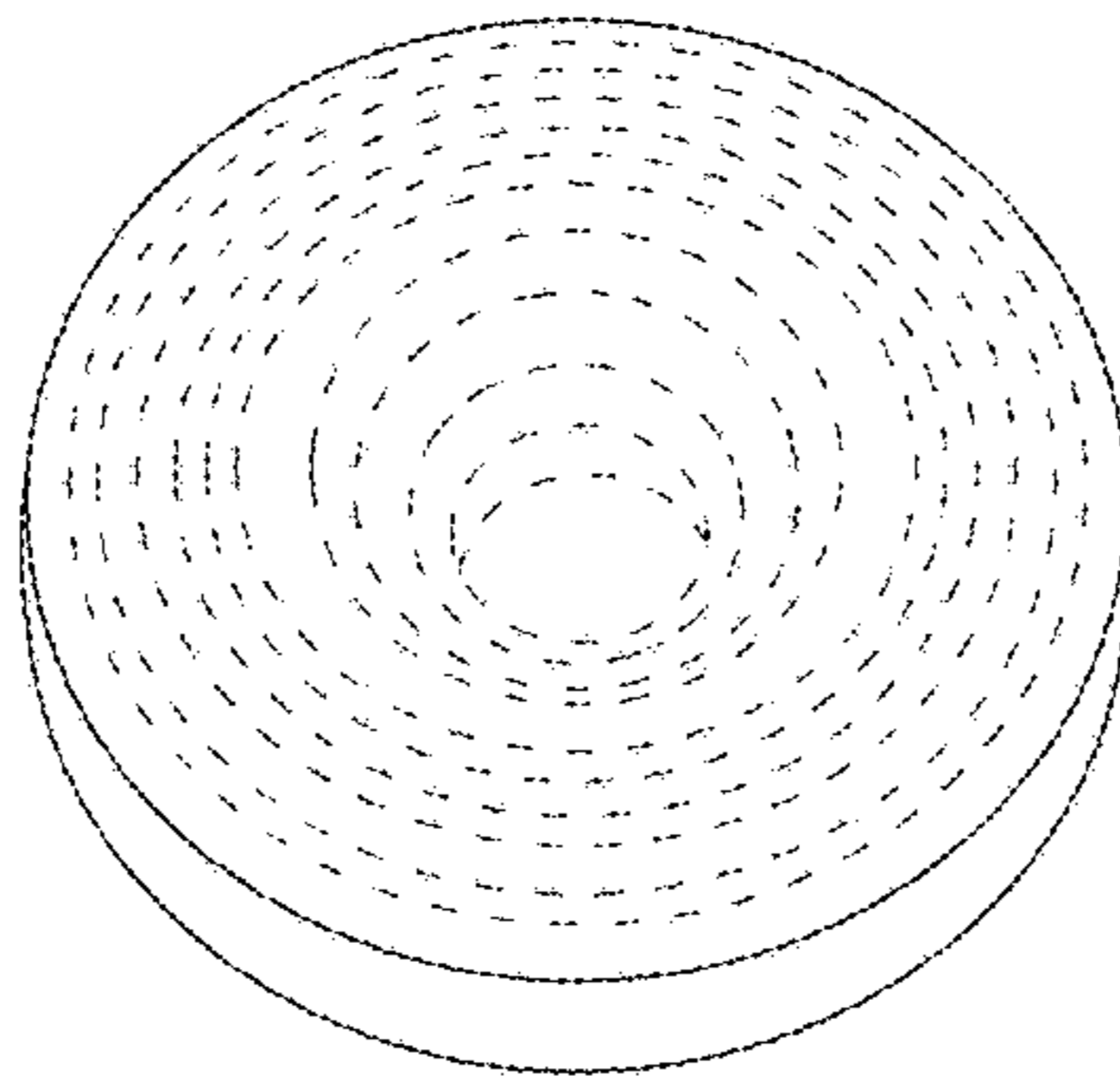


FIG. 6

