



US00D859958S

(12) **United States Design Patent**
Ni

(10) **Patent No.:** **US D859,958 S**

(45) **Date of Patent:** **** Sep. 17, 2019**

(54) **MOUNT ADAPTER FOR MONITOR**

(71) Applicant: **Ximing Ni**, Fremont, CA (US)

(72) Inventor: **Ximing Ni**, Fremont, CA (US)

(**) Term: **15 Years**

(21) Appl. No.: **29/638,800**

(22) Filed: **Mar. 1, 2018**

(51) **LOC (12) Cl.** **08-05**

(52) **U.S. Cl.**

USPC **D8/354**

(58) **Field of Classification Search**

USPC D14/371-382, 125-129, 336, 337,
D14/447-452, 492, 335, 239, 457,
D14/439-441, 432, 251-253; D8/349,
D8/354, 363, 373, 376, 380; D21/333;
D12/415; D3/10, 218; 348/180, 184,
348/325, 739, 825; 248/323, 278.1, 286.1
CPC G06F 3/0412; G06F 3/016; G06F 3/0488;
G06F 3/011; G06F 3/038; G06F 3/03543;
G06F 3/0338; G06F 3/0202; G06F
3/0219; G06F 3/0213; G06F 1/1616;
G06F 3/023; G06F 3/04883; G02F
1/13338; G02F 1/1313; G02F 1/1333;
G02F 1/135; G02F 1/132; G02F
1/133308; G02F 1/134309; G02F
1/13718; G09G 3/3648; G06K 15/1252;
B41J 2/465; G03F 7/70291; G02B
27/0172; G02B 5/30; G02B 2027/0118;
G02B 27/0101; F16M 13/02; F16M
13/00; F16M 11/10; F16M 11/04; F16M
2200/08; F16M 11/2021; A47B 21/0314;
A47B 88/044; A47B 2021/0335; H02G
3/126; F16B 47/00; F16B 47/006; A47G
1/17; A47K 2201/00

See application file for complete search history.

(56) **References Cited**

U.S. PATENT DOCUMENTS

4,192,118	A *	3/1980	Gilb	E04B 1/0007
					52/714
4,665,672	A *	5/1987	Commins	E04B 1/0007
					403/190
5,810,303	A *	9/1998	Bourassa	H02G 3/126
					174/58
7,544,889	B1 *	6/2009	Sanchez	H02G 3/126
					174/53
D692,013	S *	10/2013	Crysell	D14/447
D750,603	S *	3/2016	Venghaus	D14/238
D822,453	S *	7/2018	Kanter	D8/354
D822,454	S *	7/2018	Kanter	D8/354
D822,650	S *	7/2018	Kanter	D14/238
D823,094	S *	7/2018	Kanter	D8/354
D829,531	S *	10/2018	Kanter	D8/354
D829,533	S *	10/2018	Kanter	D8/354
D833,851	S *	11/2018	Kanter	D8/354

* cited by examiner

Primary Examiner — Katie Jane Stofko

(74) *Attorney, Agent, or Firm* — Leon E. Jew; Dahyee Law Group

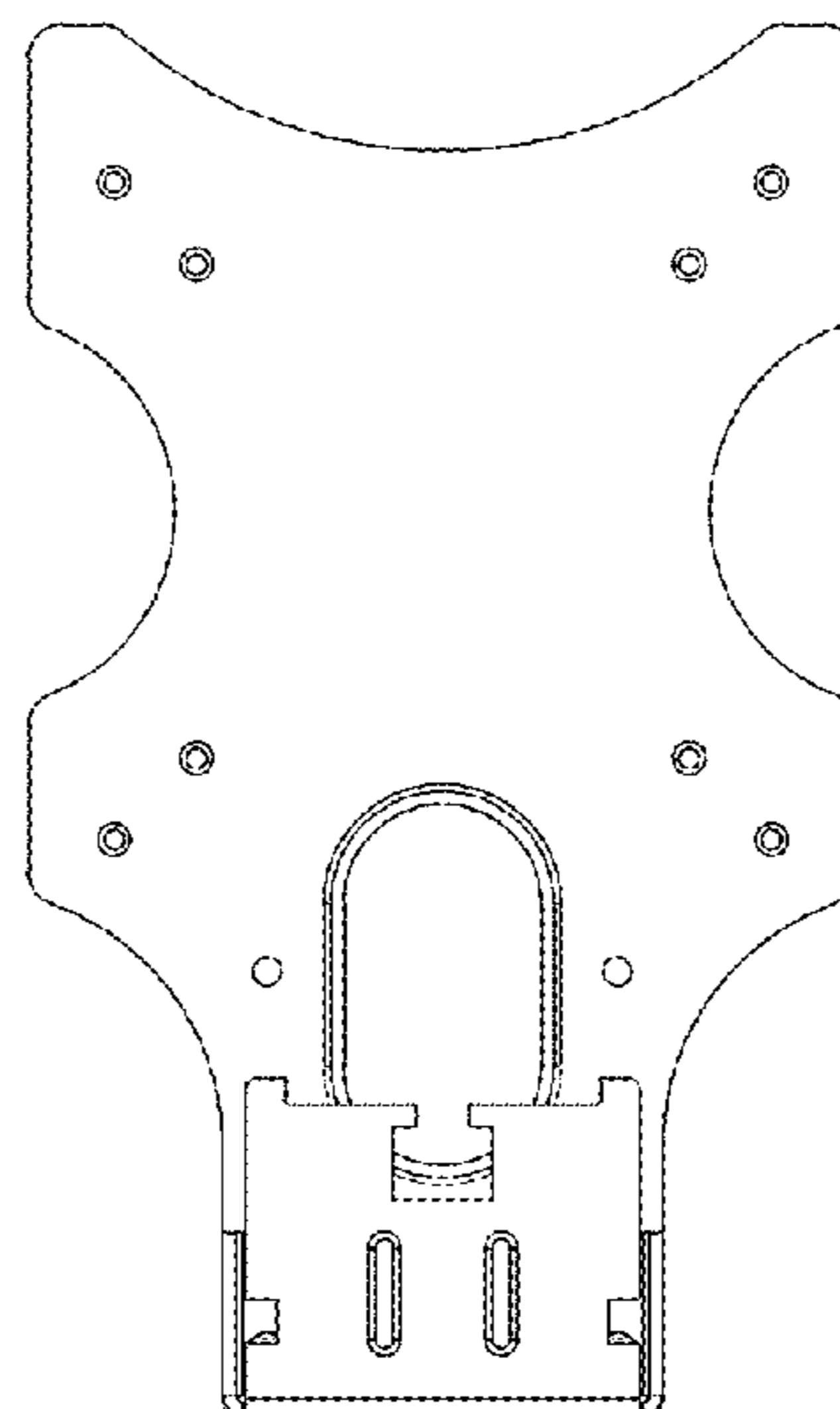
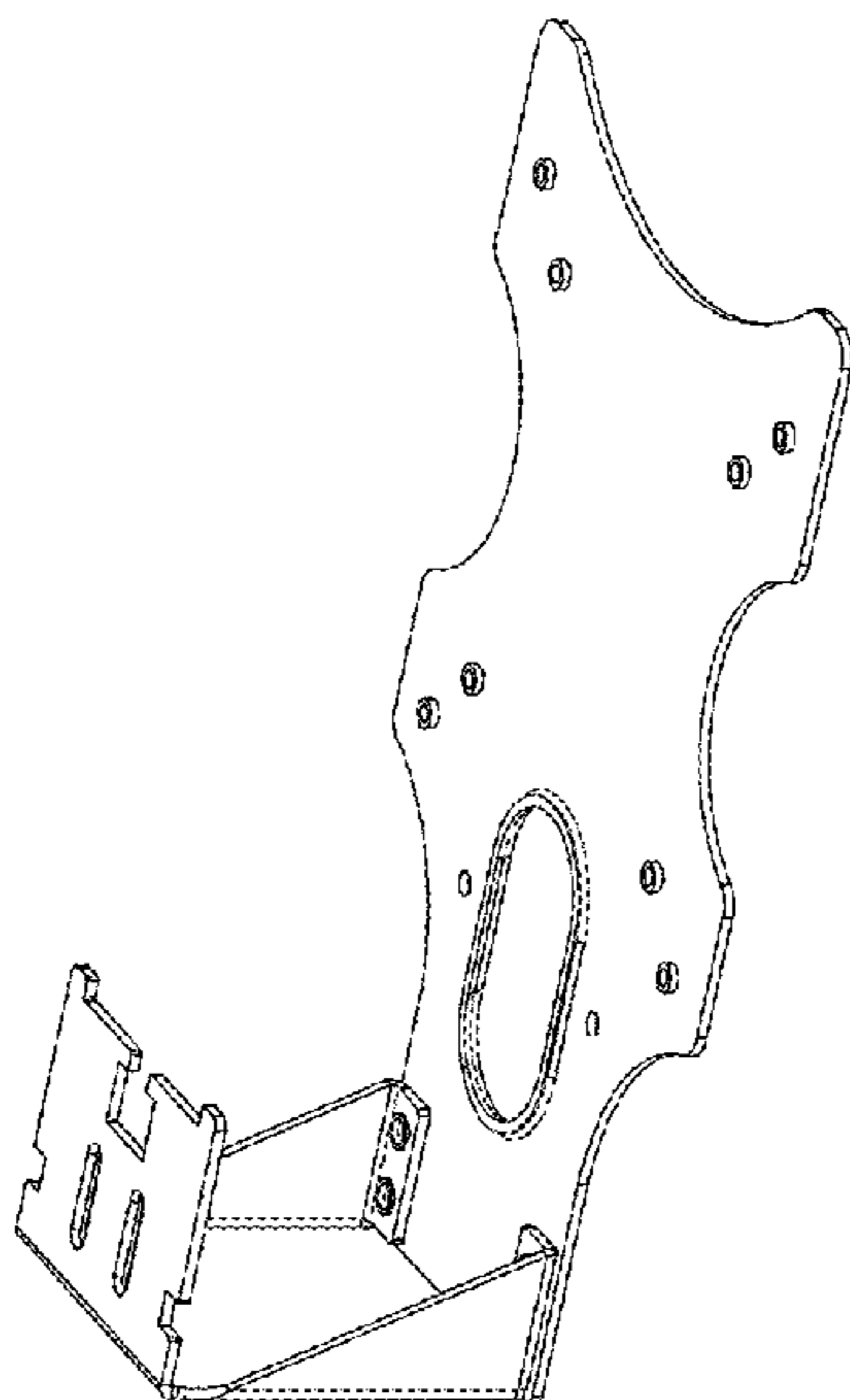
(57) **CLAIM**

The ornamental design of a mount adapter for monitor, as shown and described.

DESCRIPTION

FIG. 1 is a first perspective view of a mount adapter for monitor shown as a new design;
FIG. 2 is a second perspective view thereof;
FIG. 3 is a third perspective view thereof;
FIG. 4 is a front view thereof;
FIG. 5 is a rear view thereof;
FIG. 6 is a top view thereof;
FIG. 7 is a bottom view thereof;
FIG. 8 is a left side thereof; and,
FIG. 9 is a right side view thereof.

1 Claim, 4 Drawing Sheets



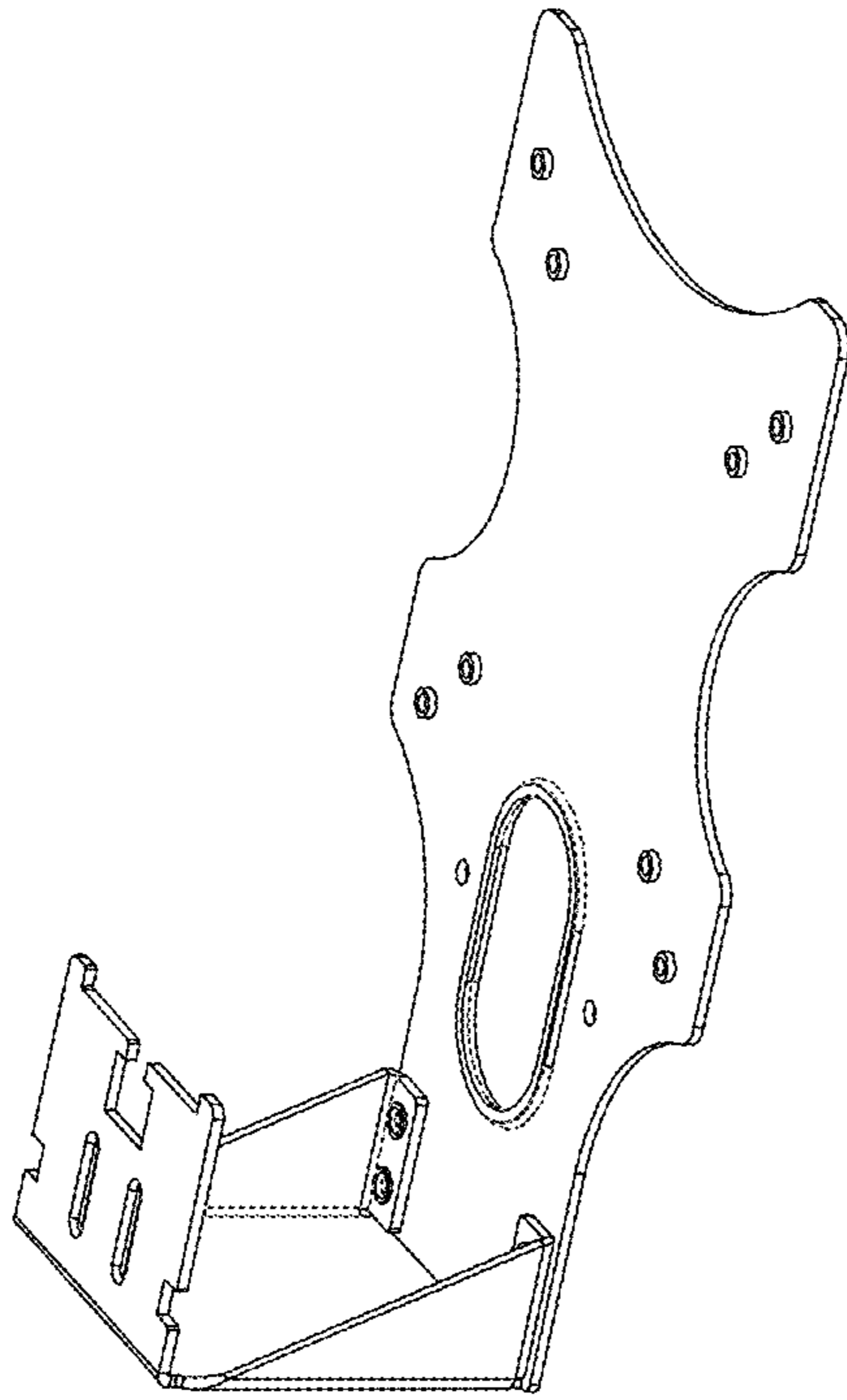


Fig. 1

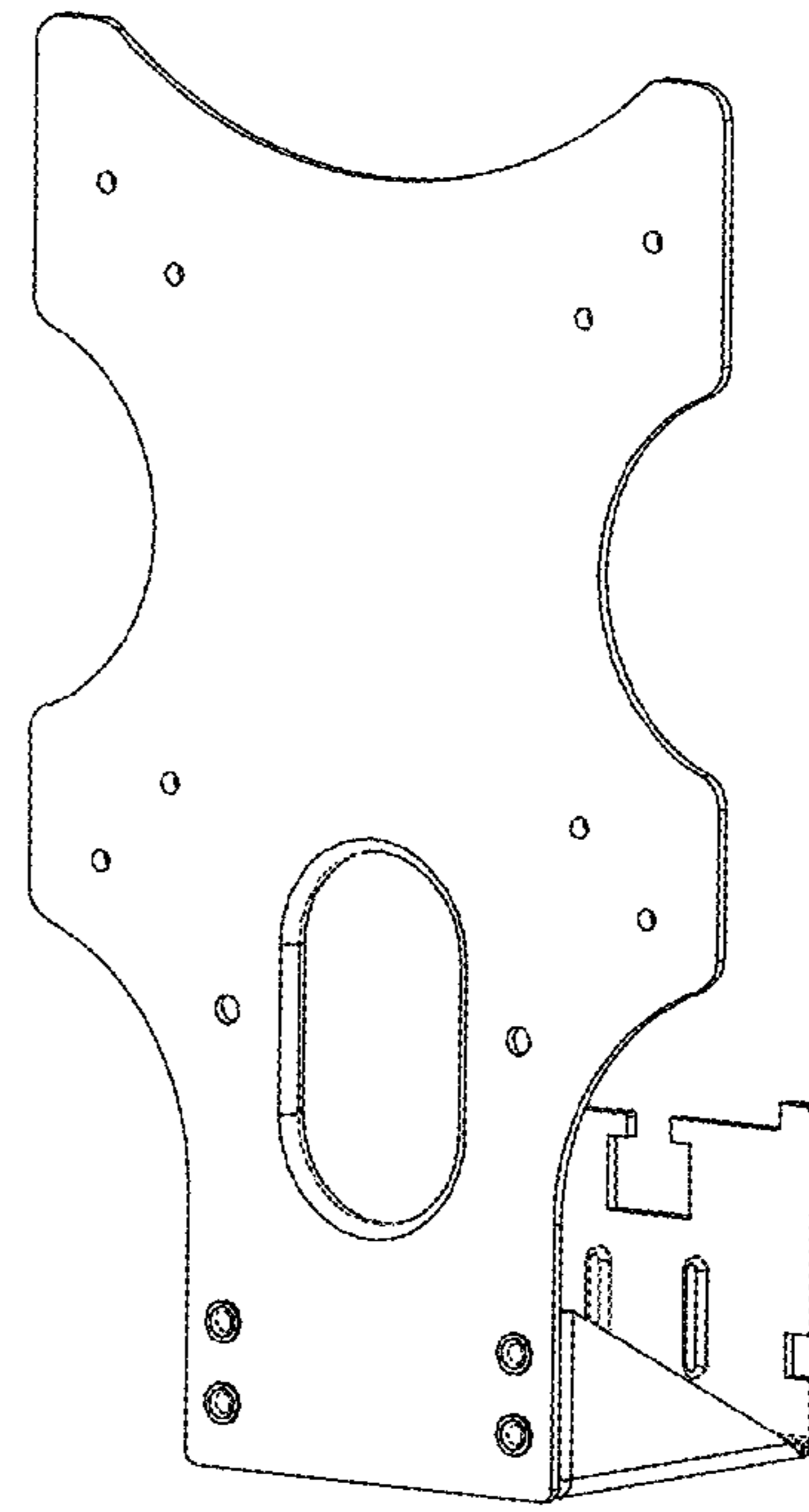


Fig. 2

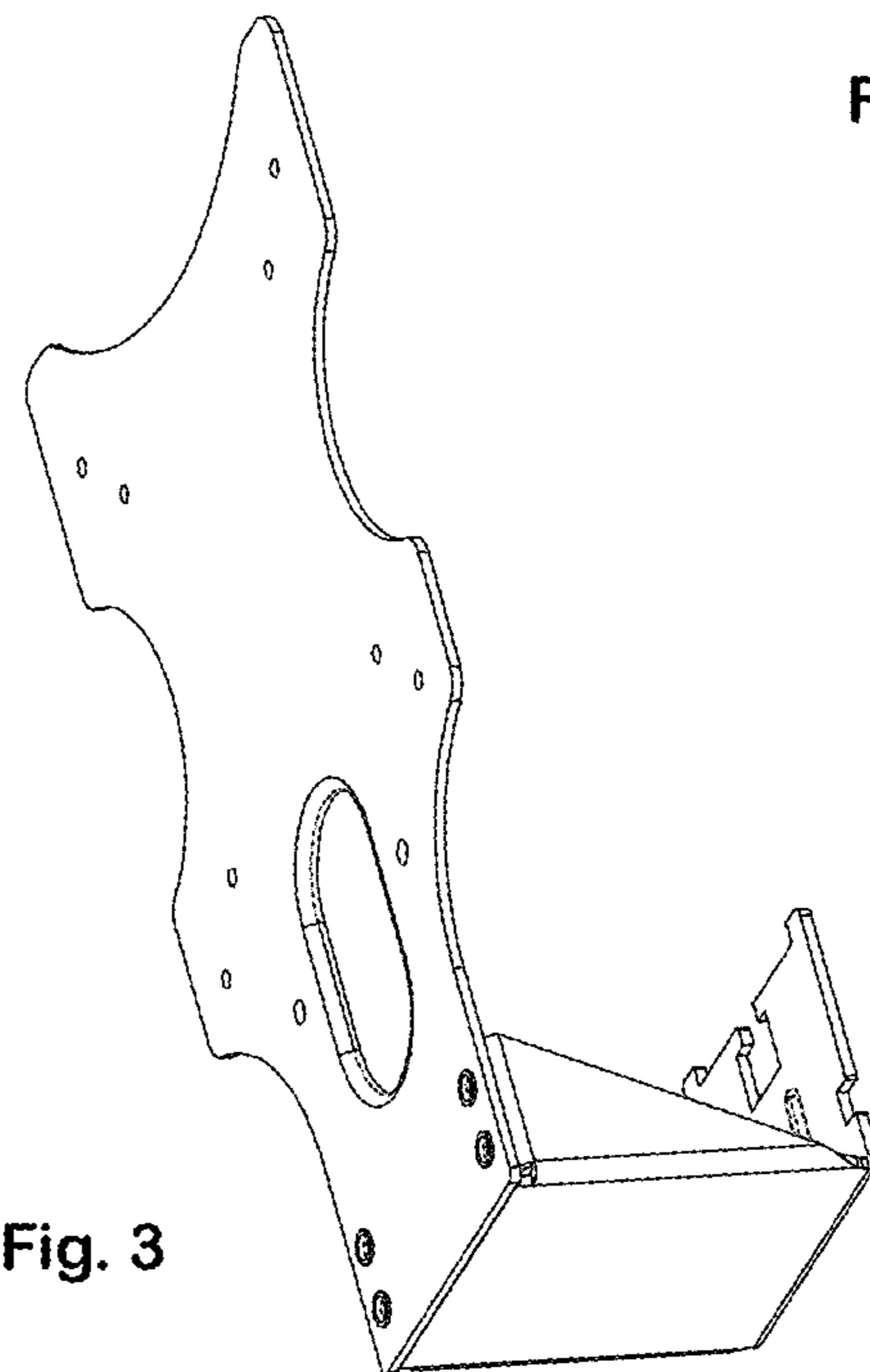


Fig. 3

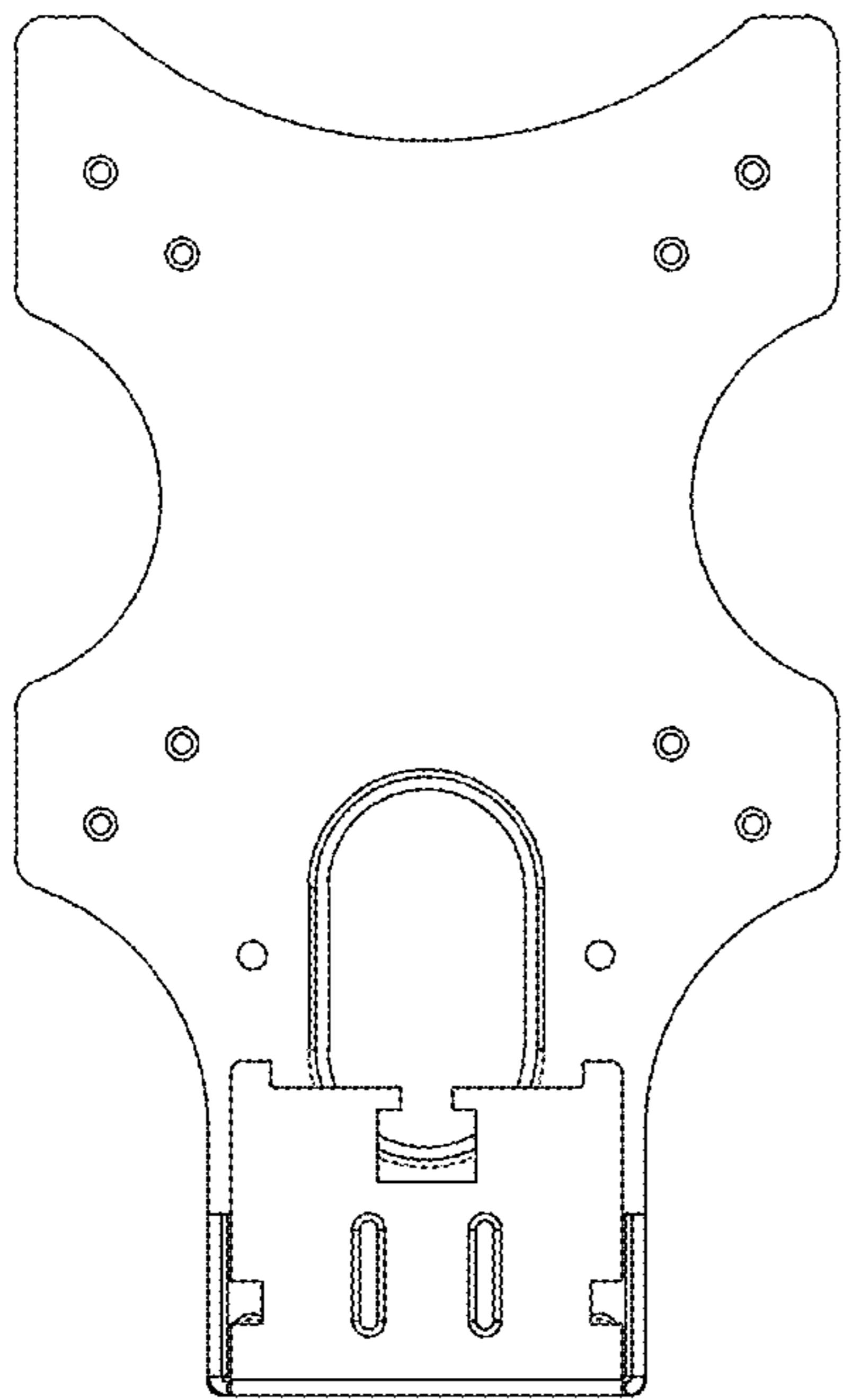


Fig. 4

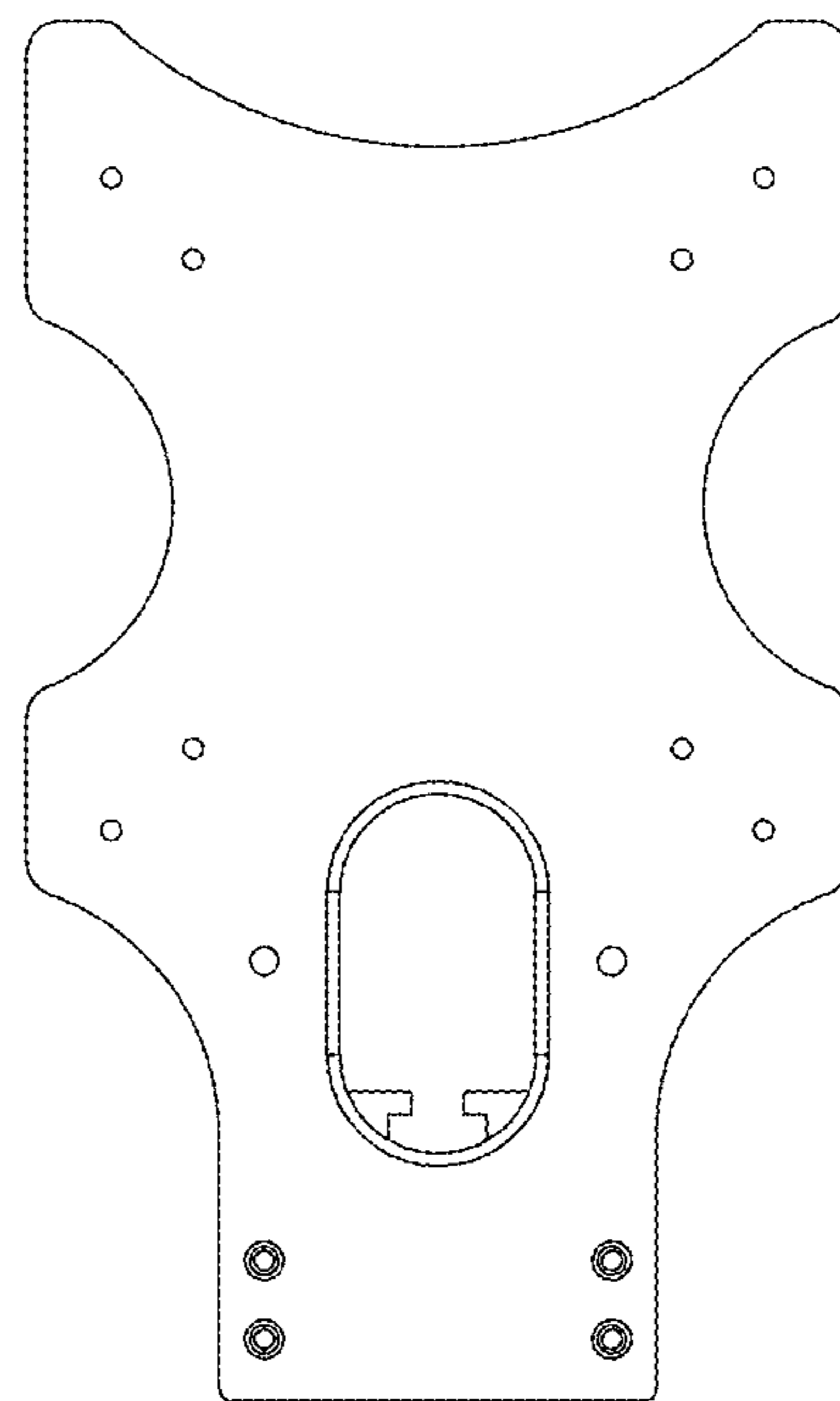


Fig. 5

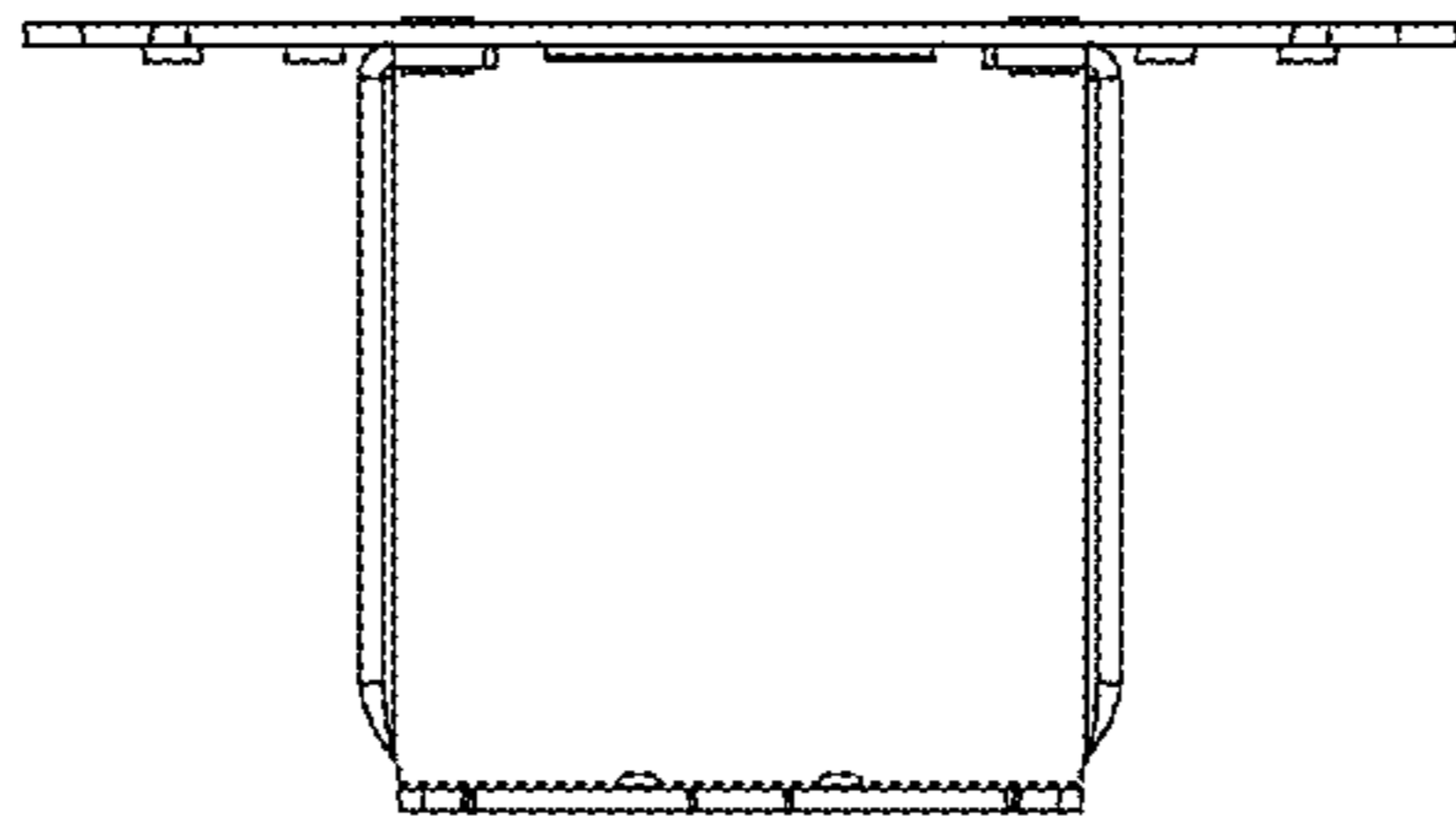


Fig. 6

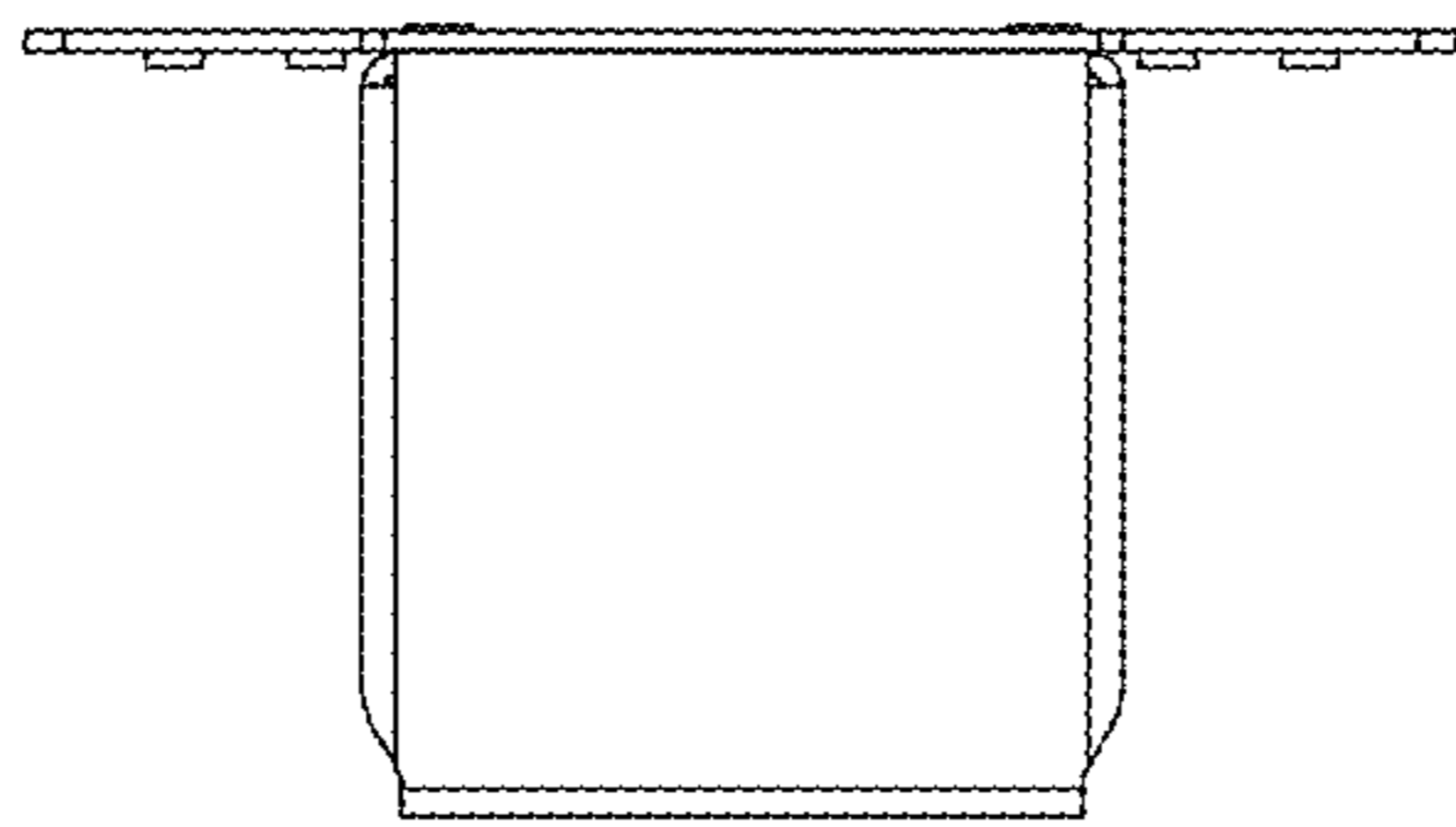


Fig. 7



Fig. 8

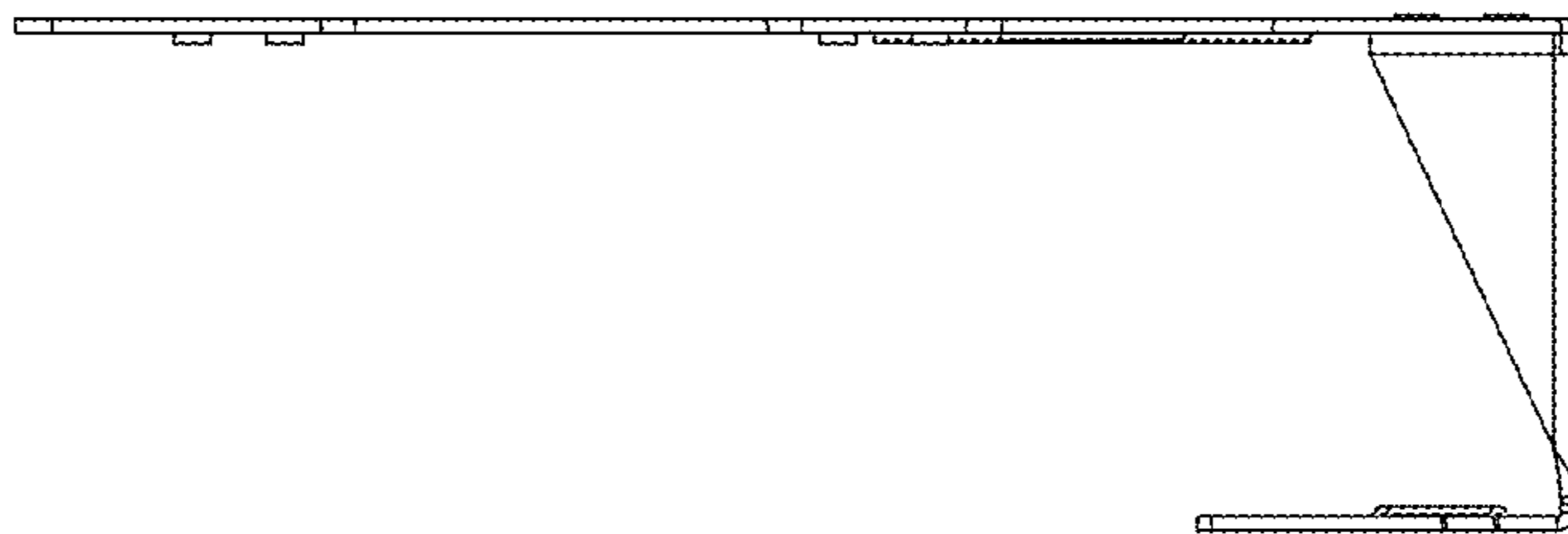


Fig. 9