



US00D859956S

(12) **United States Design Patent**
McNaughton

(10) **Patent No.:** **US D859,956 S**

(45) **Date of Patent:** **** Sep. 17, 2019**

- (54) **SANITARY DOOR PULL**
- (71) Applicant: **Patrick J. McNaughton**, Plymouth, MN (US)
- (72) Inventor: **Patrick J. McNaughton**, Plymouth, MN (US)
- (73) Assignee: **MCNAUGHTON INCORPORATED**, Plymouth, MN (US)
- (**) Term: **15 Years**
- (21) Appl. No.: **29/613,566**
- (22) Filed: **Aug. 11, 2017**
- (51) **LOC (12) Cl.** **08-06**
- (52) **U.S. Cl.**
USPC **D8/307**
- (58) **Field of Classification Search**
USPC D8/107, 300, 301, 307, 308, 367;
D23/270, 303, 309, 310, 311
CPC E05B 1/0069; E05B 1/0015; E05B 1/0053;
E05B 17/0033; E05B 65/0035; Y10T
16/458; Y10T 16/459; Y10T 292/57;
Y10S 16/901; Y10S 16/904
See application file for complete search history.

(56) **References Cited**

U.S. PATENT DOCUMENTS

- 2,912,270 A * 11/1959 Hawkins E05B 65/0021
292/223
- 3,121,907 A * 2/1964 Stebbins E05B 1/0053
16/225
- 3,216,757 A * 11/1965 Campbell E05B 3/10
292/150
- 3,637,181 A * 1/1972 Janssen A47G 1/17
156/320

- 3,880,390 A * 4/1975 Niven A47F 5/0815
248/220.43
- D312,959 S * 12/1990 Hamann 248/220.43
- D407,299 S * 3/1999 McCreary D8/367
- D539,113 S * 3/2007 Fulkerson D8/307
- D569,218 S * 5/2008 Montague D8/307
- D596,477 S * 7/2009 Jones D8/301
- D658,029 S * 4/2012 Fulkerson D8/301
- 2006/0087131 A1 * 4/2006 Bassi E05B 17/0025
292/336.3
- 2007/0192995 A1 * 8/2007 Houis A47K 13/105
16/412
- 2010/0294806 A1 * 11/2010 McDowell E05B 1/0069
422/110
- 2014/0000170 A1 * 1/2014 Buck E05B 1/0069
49/353
- 2015/0197967 A1 * 7/2015 Van Parys E05B 15/0033
49/460
- 2017/0260772 A1 * 9/2017 Standley E05B 1/0015

* cited by examiner

Primary Examiner — Lauren R Calve

(57) **CLAIM**

The ornamental design for a sanitary door pull, substantially as shown and described.

DESCRIPTION

FIG. 1 is a front top and right side elevation view of a “sanitary door pull” showing my new design;
 FIG. 2 is a front elevation view thereof;
 FIG. 3 is a back elevation view thereof;
 FIG. 4 is a left side elevation view which is a mirror image of right side elevation view thereof;
 FIG. 5 is a top plan view thereof;
 FIG. 6 is a bottom plan view thereof;
 FIG. 7 is a sectional view of FIG. 4, taken along lines 7-7; and,
 FIG. 8 is a sectional view of FIG. 4, taken along lines 8-8.

1 Claim, 5 Drawing Sheets

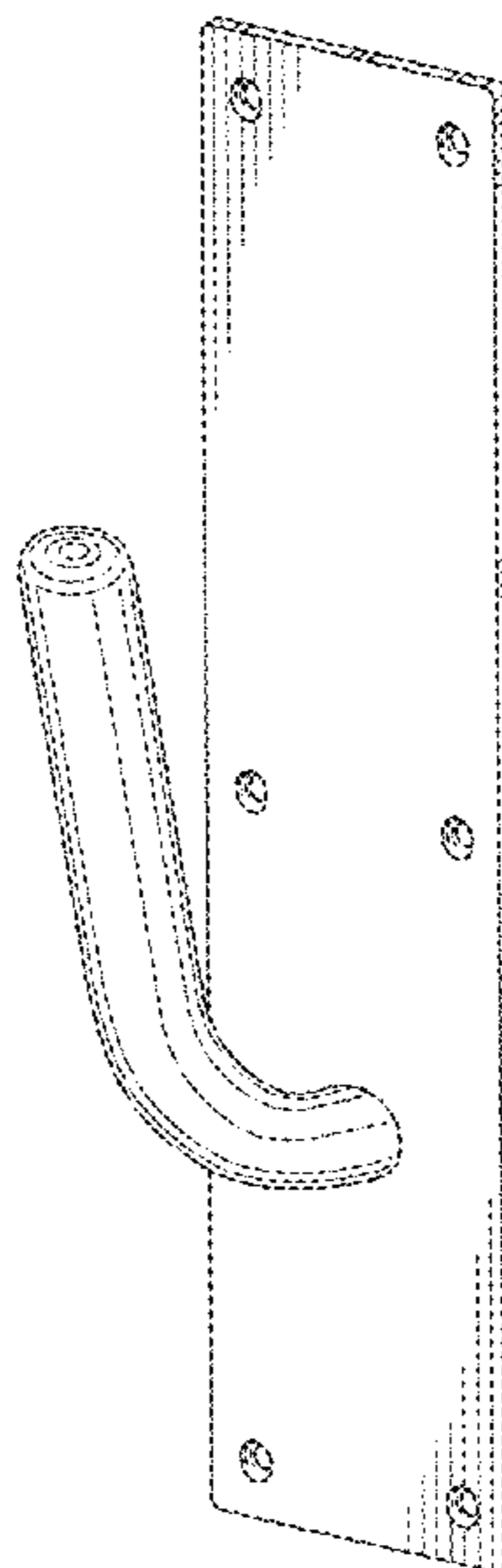


Fig. 1

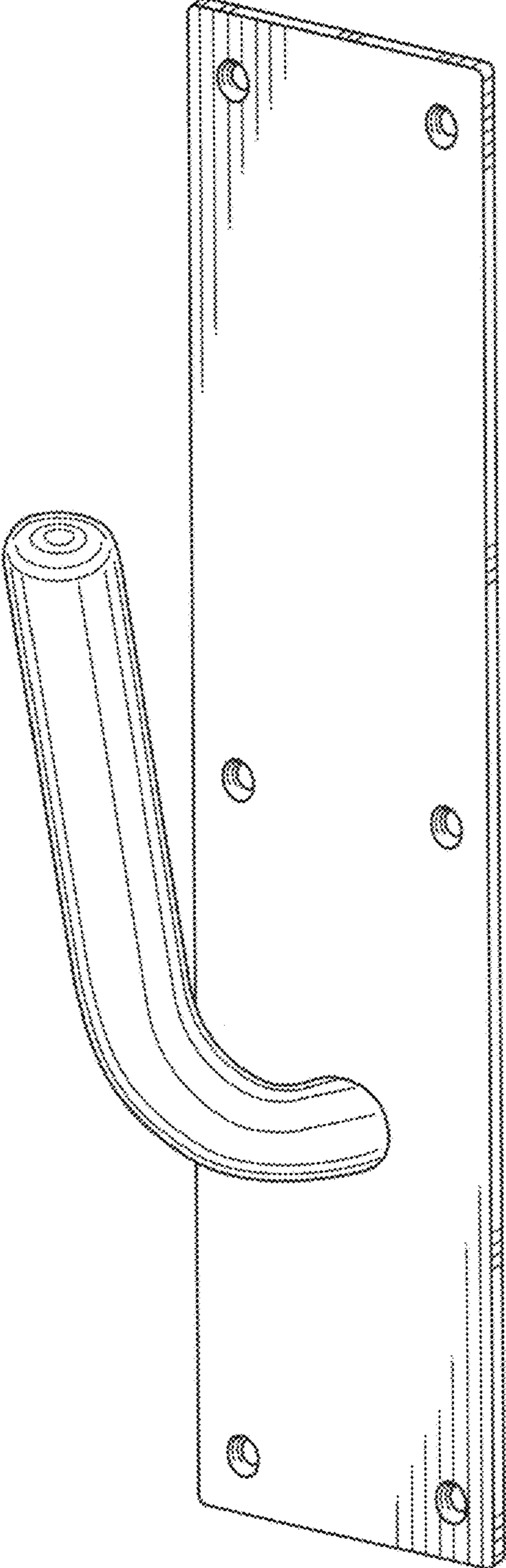


Fig. 2

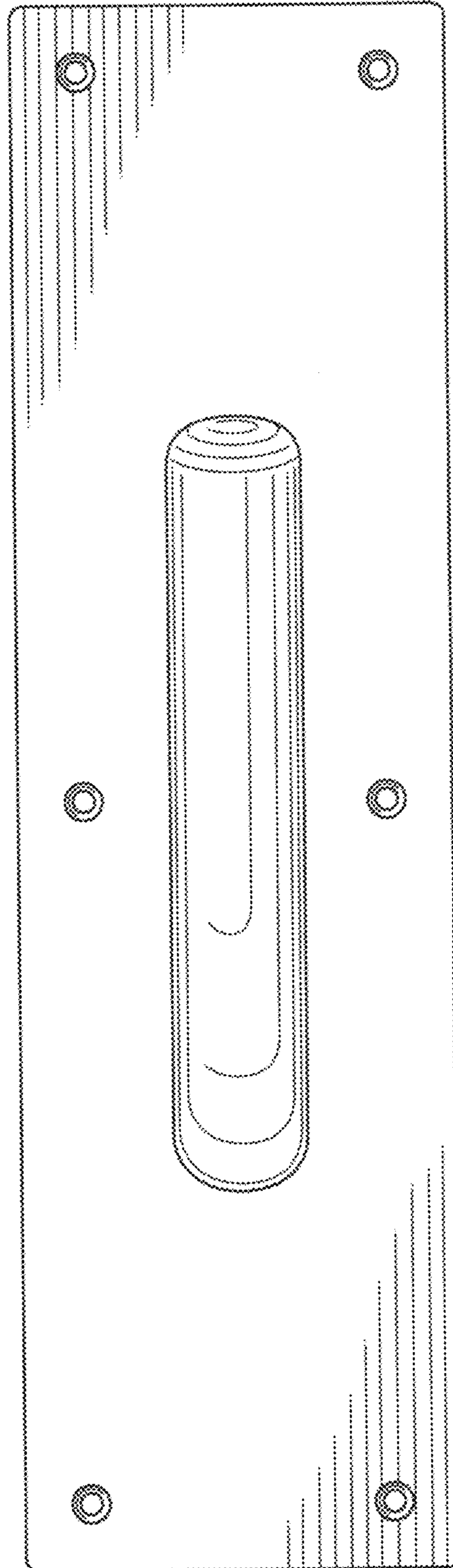


Fig. 3

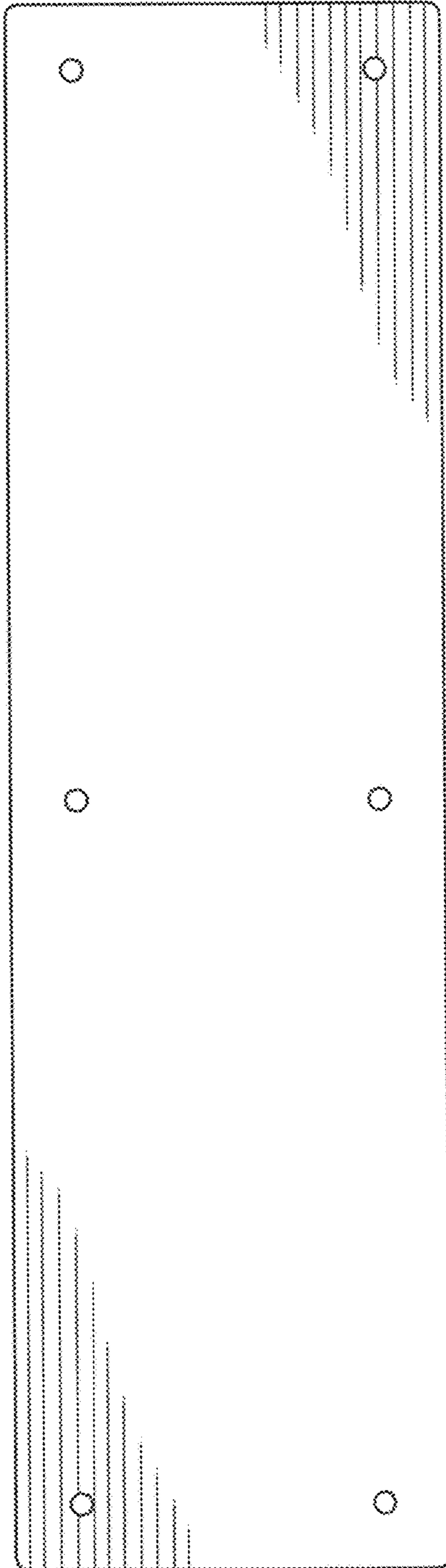


Fig. 4

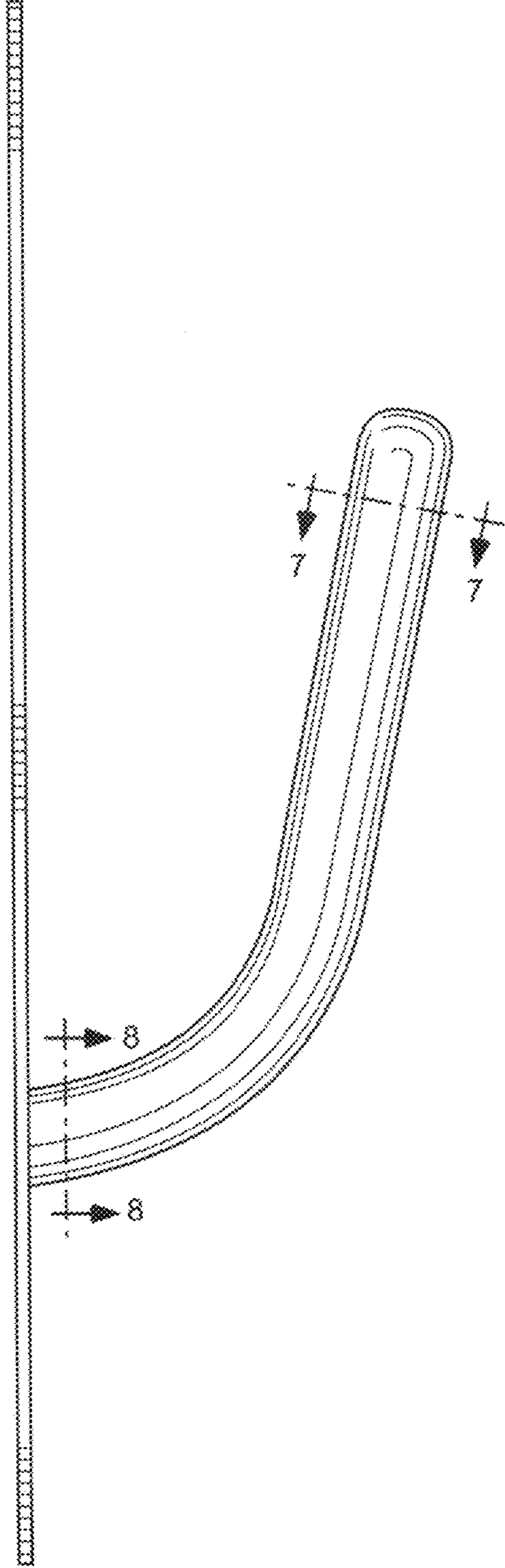


Fig. 5

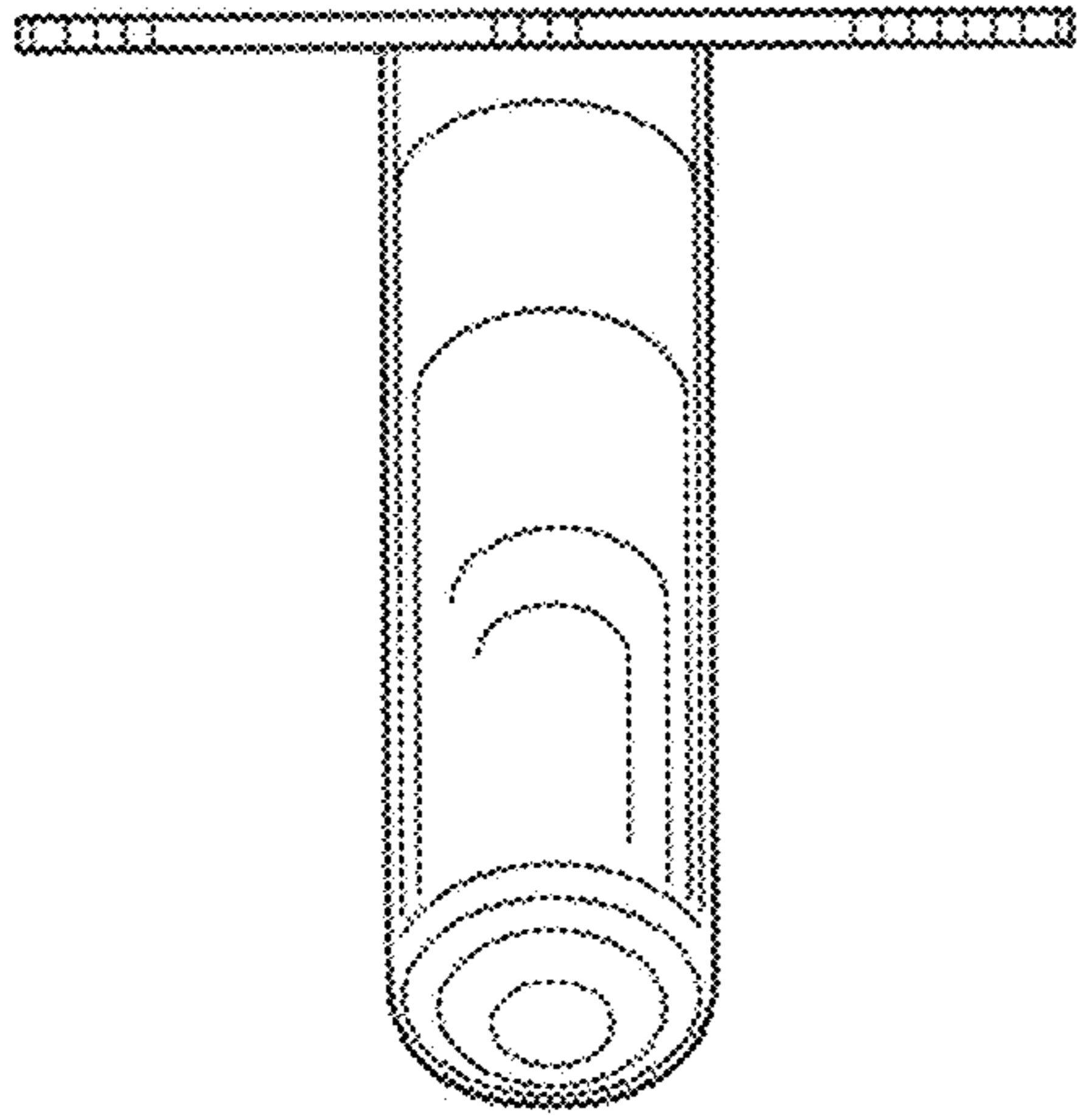


Fig. 6

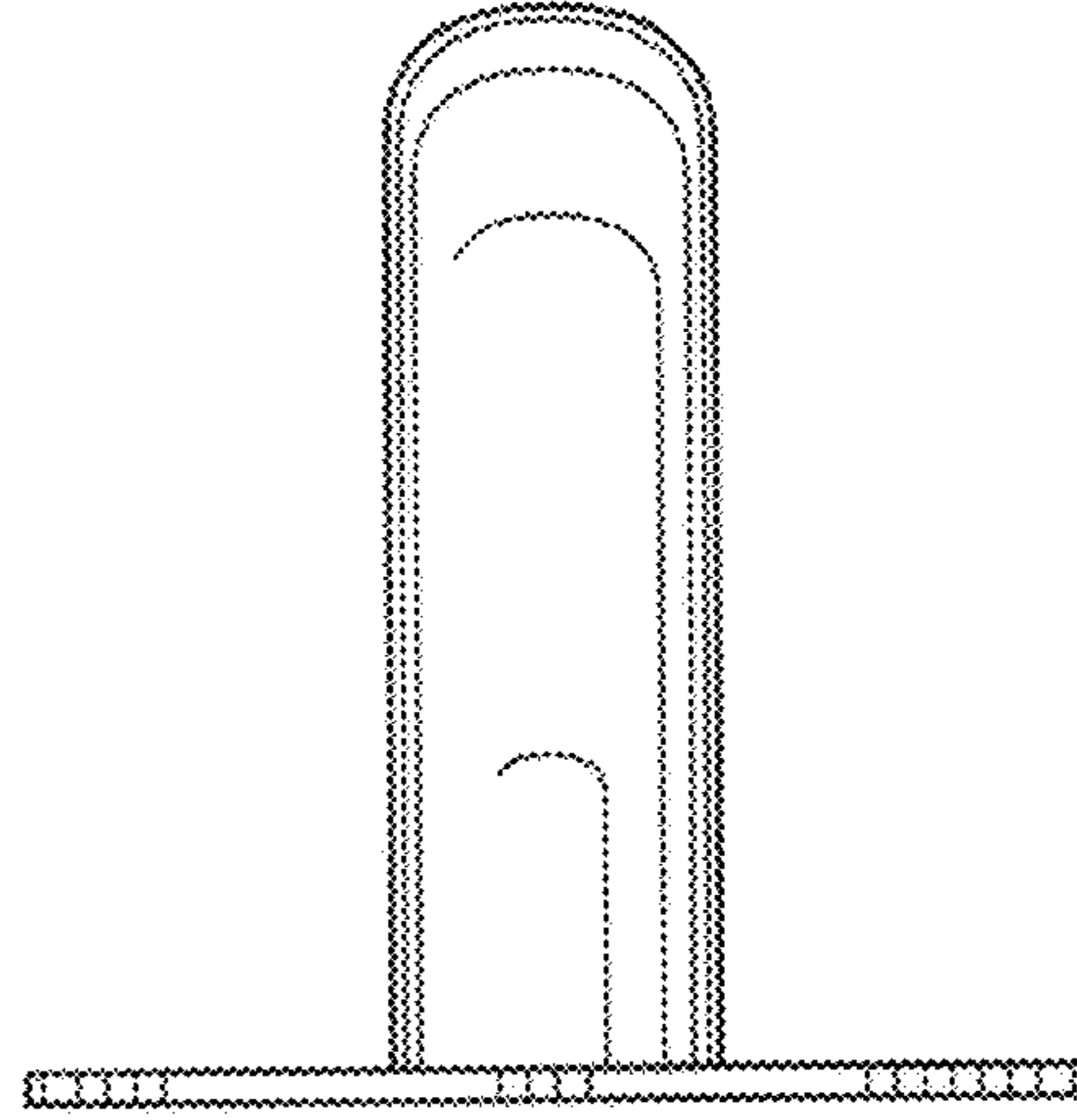


Fig. 7

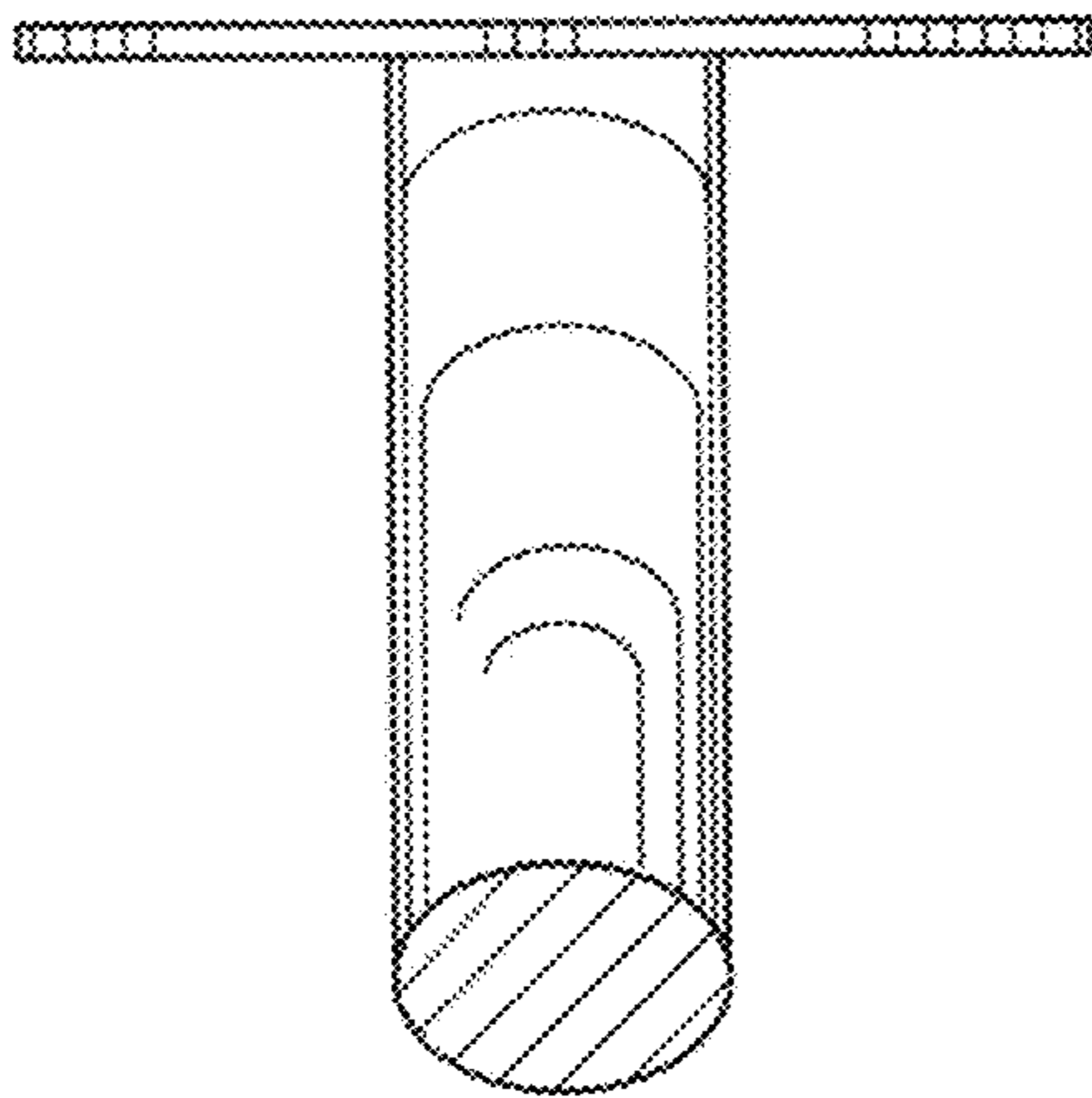


Fig. 8

