



US00D859953S

(12) **United States Design Patent**
Pililaau

(10) **Patent No.:** **US D859,953 S**

(45) **Date of Patent:** **** *Sep. 17, 2019**

(54) **CLAMP**

(71) Applicant: **Daniel P. Pililaau**, Kekaha, HI (US)

(72) Inventor: **Daniel P. Pililaau**, Kekaha, HI (US)

(*) Notice: This patent is subject to a terminal disclaimer.

(**) Term: **15 Years**

(21) Appl. No.: **29/620,522**

(22) Filed: **Feb. 1, 2017**

(51) **LOC (12) Cl.** **08-05**

(52) **U.S. Cl.**
USPC **D8/73**

(58) **Field of Classification Search**
USPC D8/71-74, 394-399, 354, 355, 356, 59;
248/62, 63, 72, 74.1, 689, 124.2; 81/487,
81/385, 386, 388-390; 269/3, 4, 6, 143,
269/165, 240, 243, 246-249, 254 R,
269/147-149; 29/256, 257, 276;
D15/140; D24/143; 408/103, 104-109;
D7/683, 685, 686; D6/684
CPC B25B 1/00; B25B 5/00; B25B 1/2478;
B25B 1/103; B25B 1/22; B25B 1/2405;
B25B 1/2457
See application file for complete search history.

(56) **References Cited**

U.S. PATENT DOCUMENTS

D144,587 S *	4/1946	Ross	D8/74
D172,863 S *	8/1954	Buckley	D8/73
D331,529 S *	12/1992	Reinklou	D8/355
D334,590 S *	4/1993	Villano	D19/59
D335,805 S *	5/1993	Ransom	D8/51
D337,509 S *	7/1993	Lebow	D8/354
D344,226 S *	2/1994	Glynn	D8/73
D359,466 S *	6/1995	Eggers	D12/115
D367,421 S *	2/1996	Powers	D8/402

5,640,826 A	6/1997	Hurilla, Jr.	
5,655,337 A	8/1997	Bryant et al.	
D383,056 S *	9/1997	Murakami D8/396
D406,036 S *	2/1999	Flachslaender D8/74
D413,429 S *	9/1999	Carson D3/10
D418,033 S *	12/1999	Svedberg D34/31
D443,493 S *	6/2001	Skeem D8/72
6,708,966 B1 *	3/2004	Troutt B25B 5/067 269/249
D513,172 S *	12/2005	Rutsky D8/395
7,101,123 B1 *	9/2006	Weinstein B23B 47/287 408/103
D557,582 S *	12/2007	Murray D8/73
7,484,914 B1 *	2/2009	Weinstein B23B 47/287 408/103

(Continued)

Primary Examiner — David Muller

Assistant Examiner — Nathan Johnston

(74) *Attorney, Agent, or Firm* — Paul R. Martin

(57) **CLAIM**

The ornamental design for a clamp, as shown and described.

DESCRIPTION

FIG. 1 is a perspective view of the clamp of my new design. FIG. 2 is another perspective view of the clamp of my new design showing it clamped onto a vertical stud used in construction, and a panel of sheet rock positioned horizontally thereon.

FIG. 3 is a front elevational view thereof.

FIG. 4 is a back elevational view thereof.

FIG. 5 is a right side elevational view thereof.

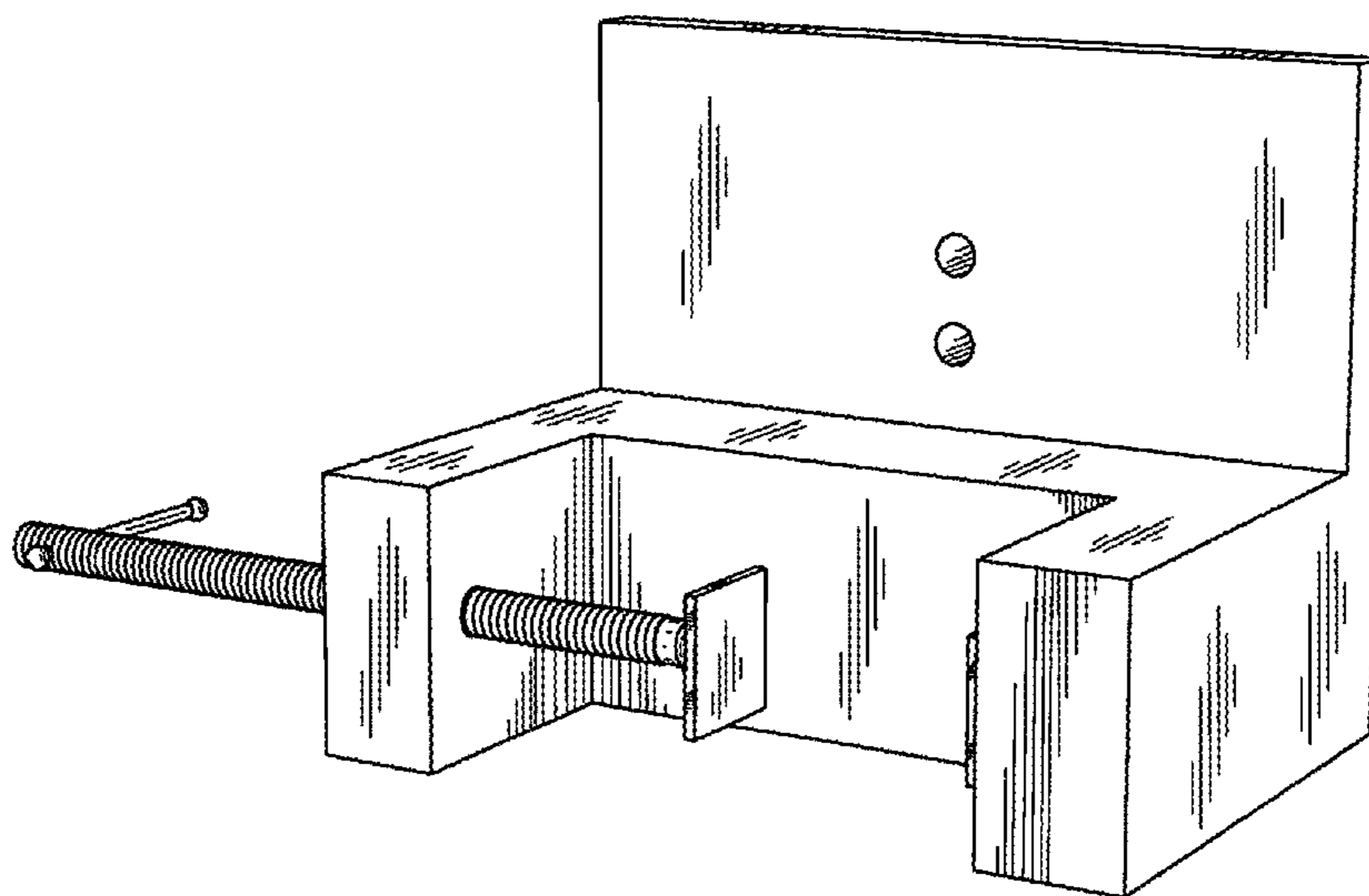
FIG. 6 is a left side elevational view thereof.

FIG. 7 is a top plan view thereof; and,

FIG. 8 is a bottom plan view thereof.

The broken line elements in FIG. 2, showing a vertical stud to which the clamp is attached, and a sheet rock panel positioned on the clamp, are environmental elements and form no part of my new design.

1 Claim, 7 Drawing Sheets



(56)

References Cited

U.S. PATENT DOCUMENTS

7,631,462 B1 12/2009 Rios
D668,522 S * 10/2012 Henderson D8/73
D716,627 S * 11/2014 Lin D8/74
D719,000 S * 12/2014 Palmer B62B 1/12
D8/73
D730,708 S * 6/2015 Spector D8/73
2005/0166484 A1 8/2005 Richmond
2016/0167201 A1* 6/2016 Saraie B25B 1/2463
29/559

* cited by examiner

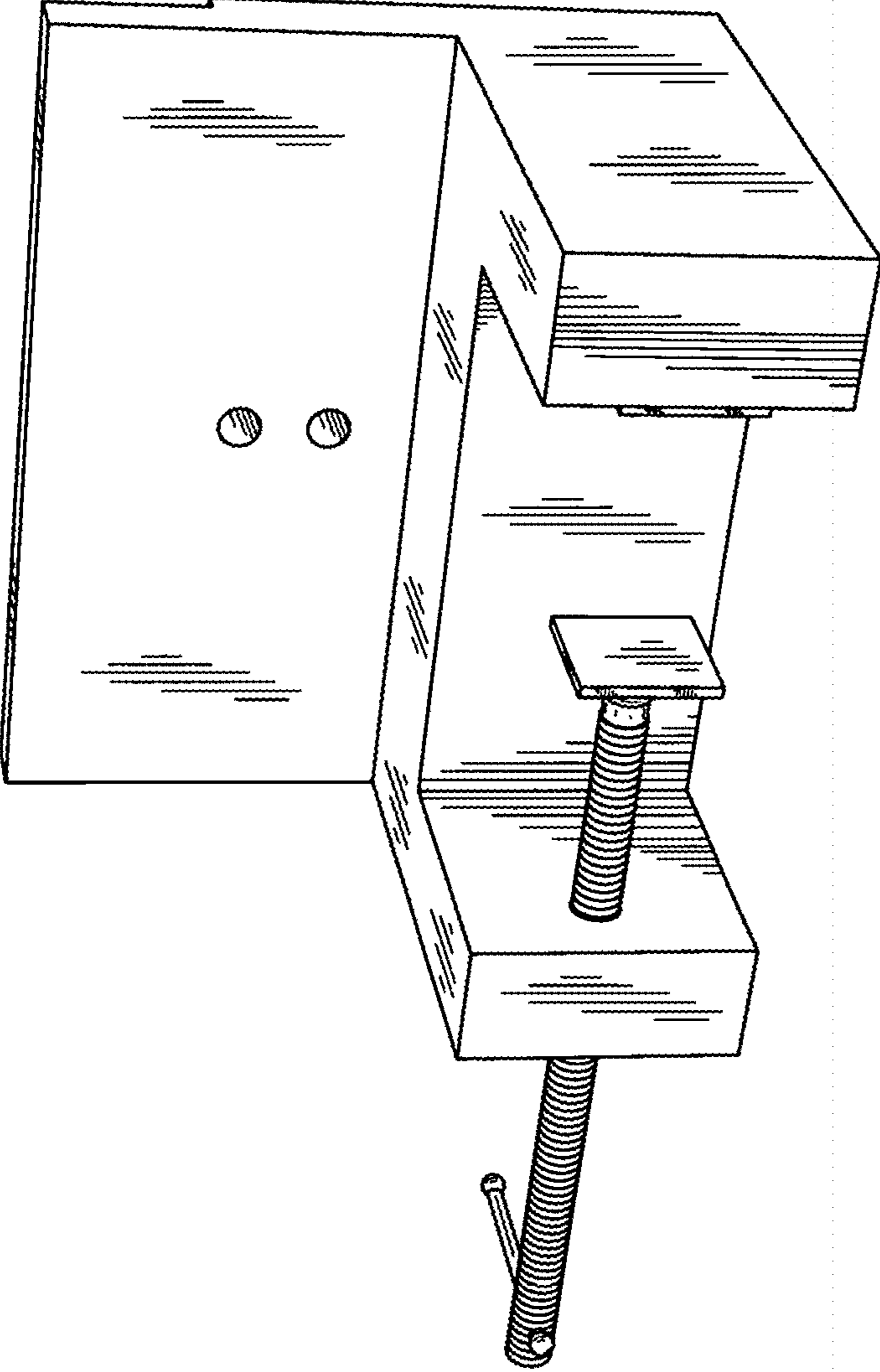


FIG. 1

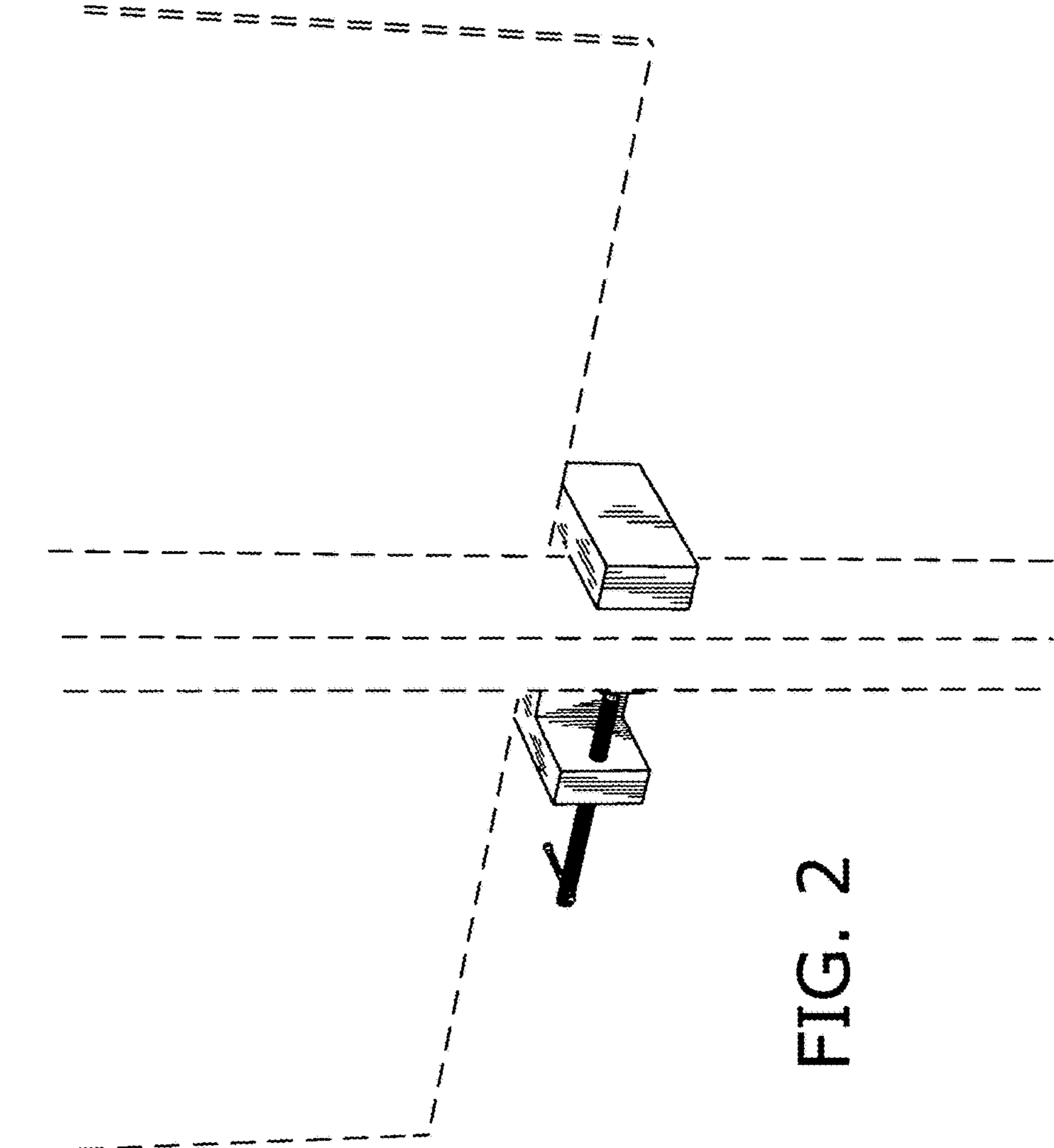


FIG. 2

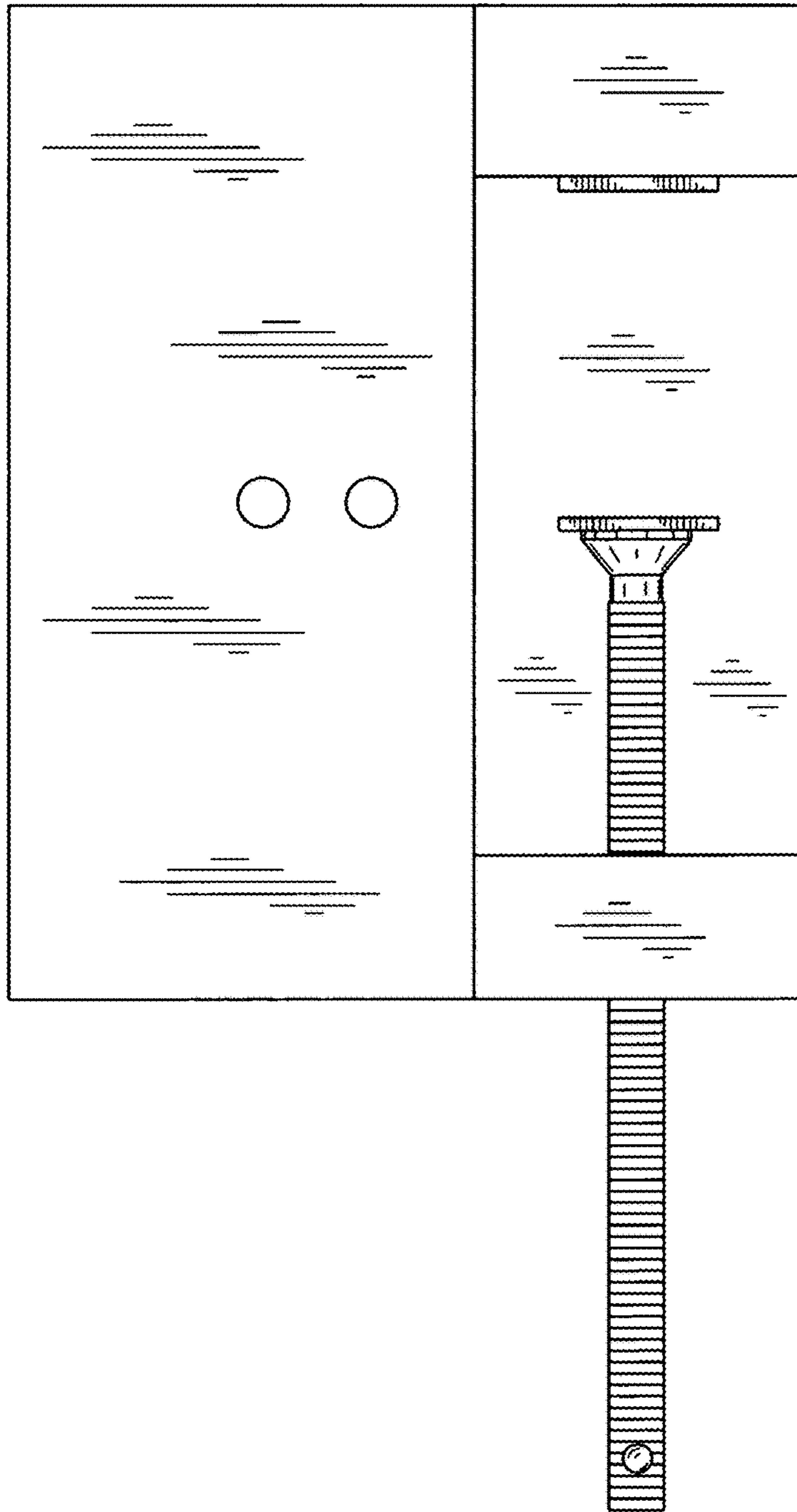


FIG. 3

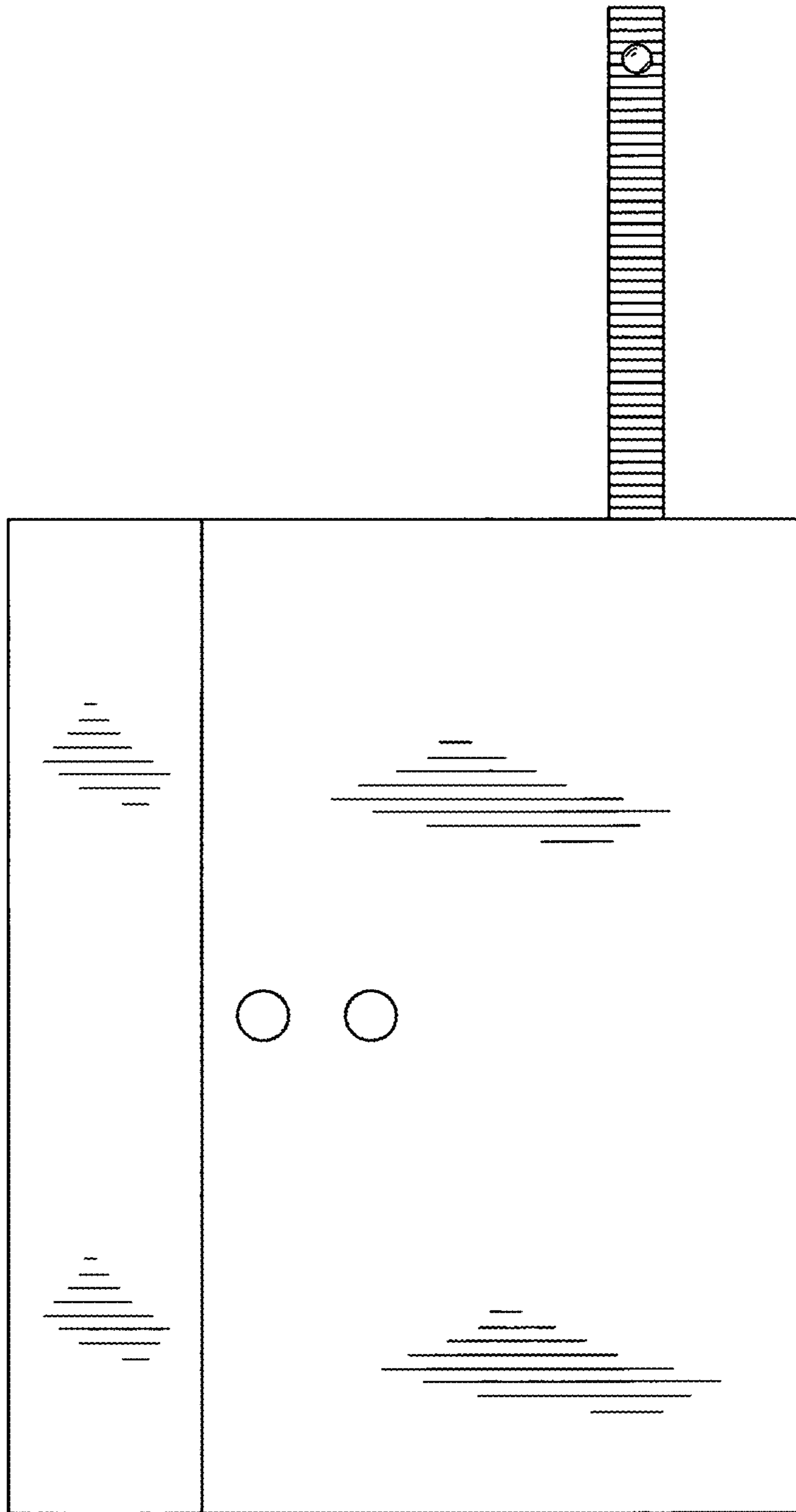


FIG. 4

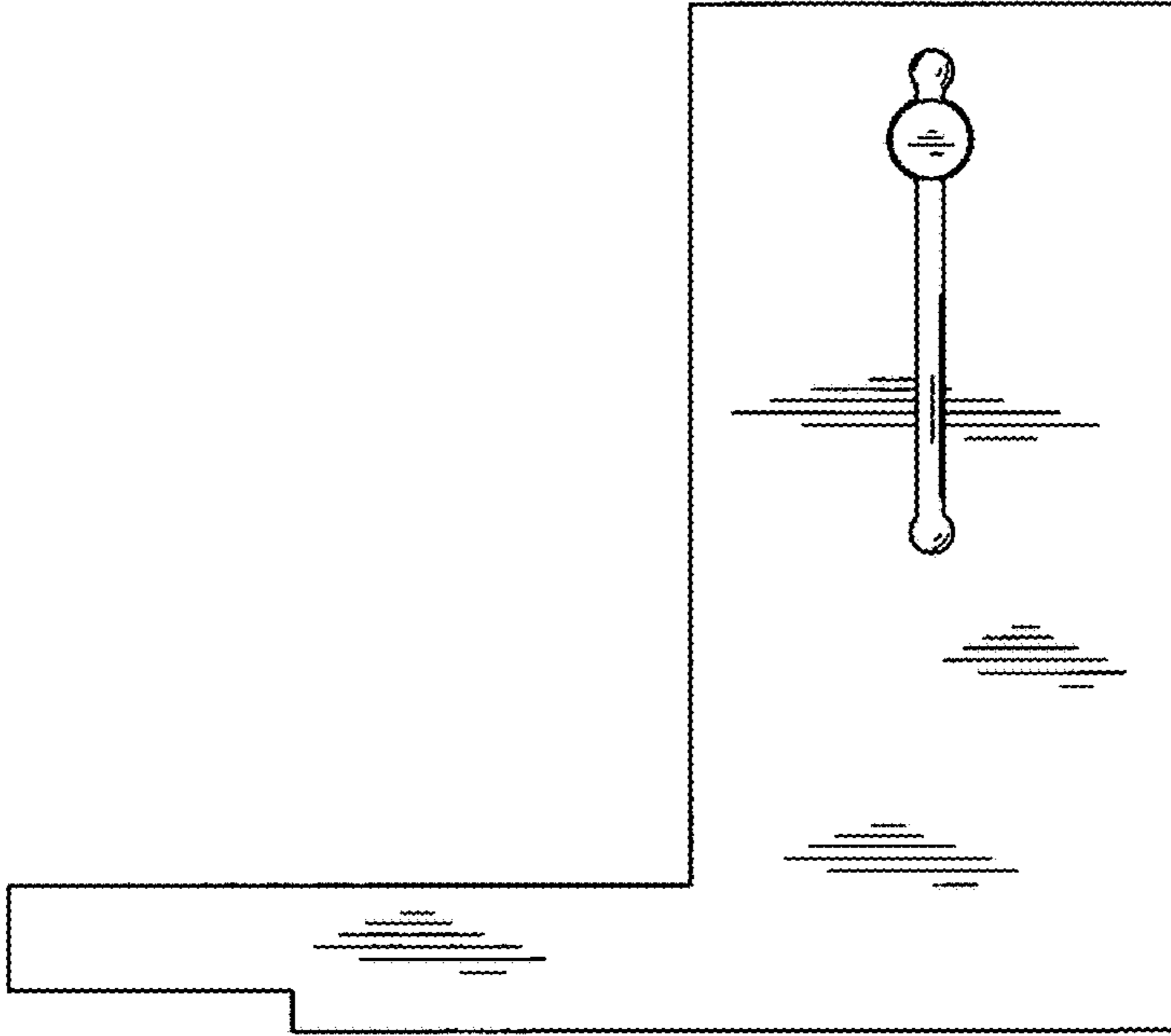


FIG. 6

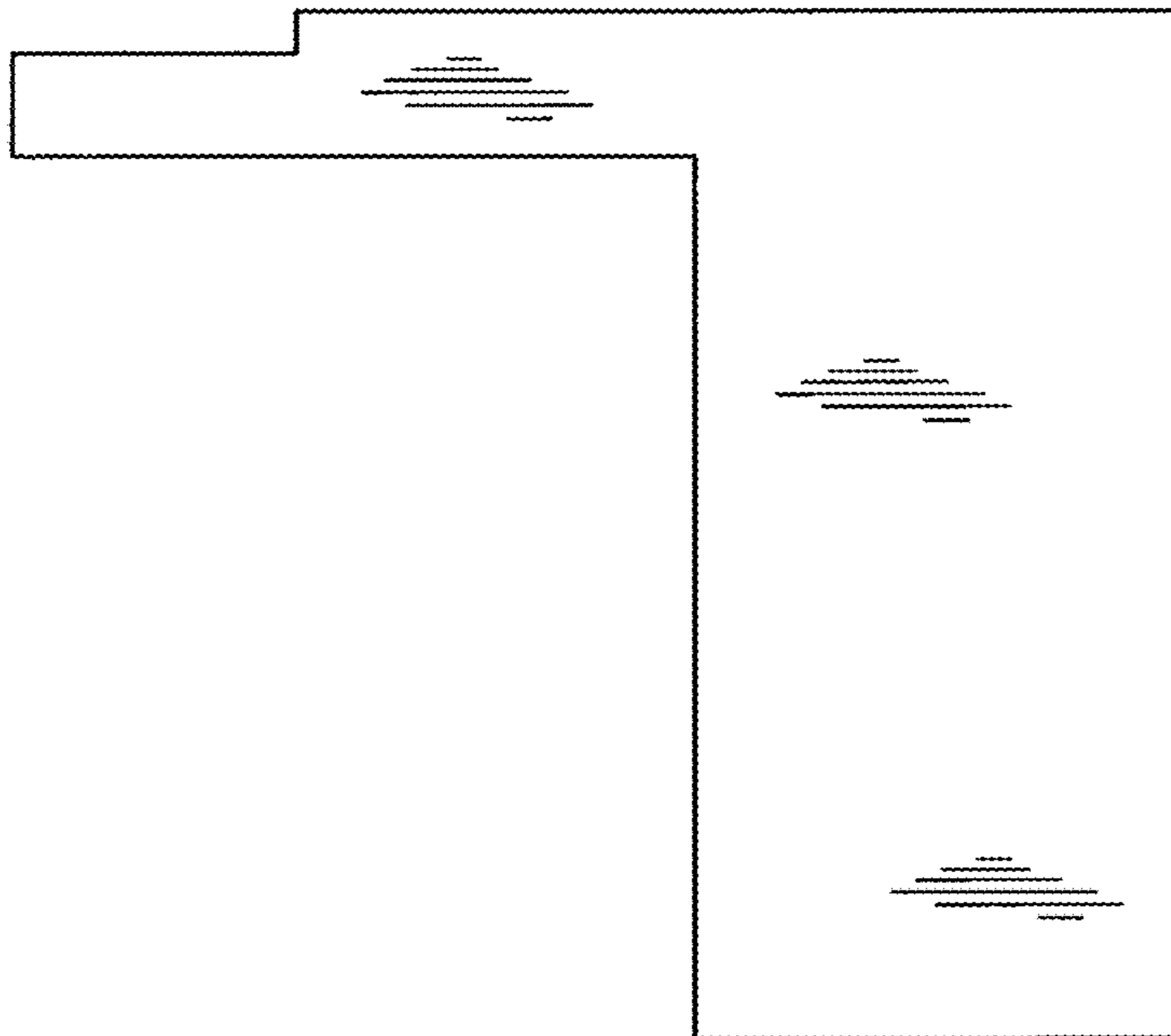


FIG. 5

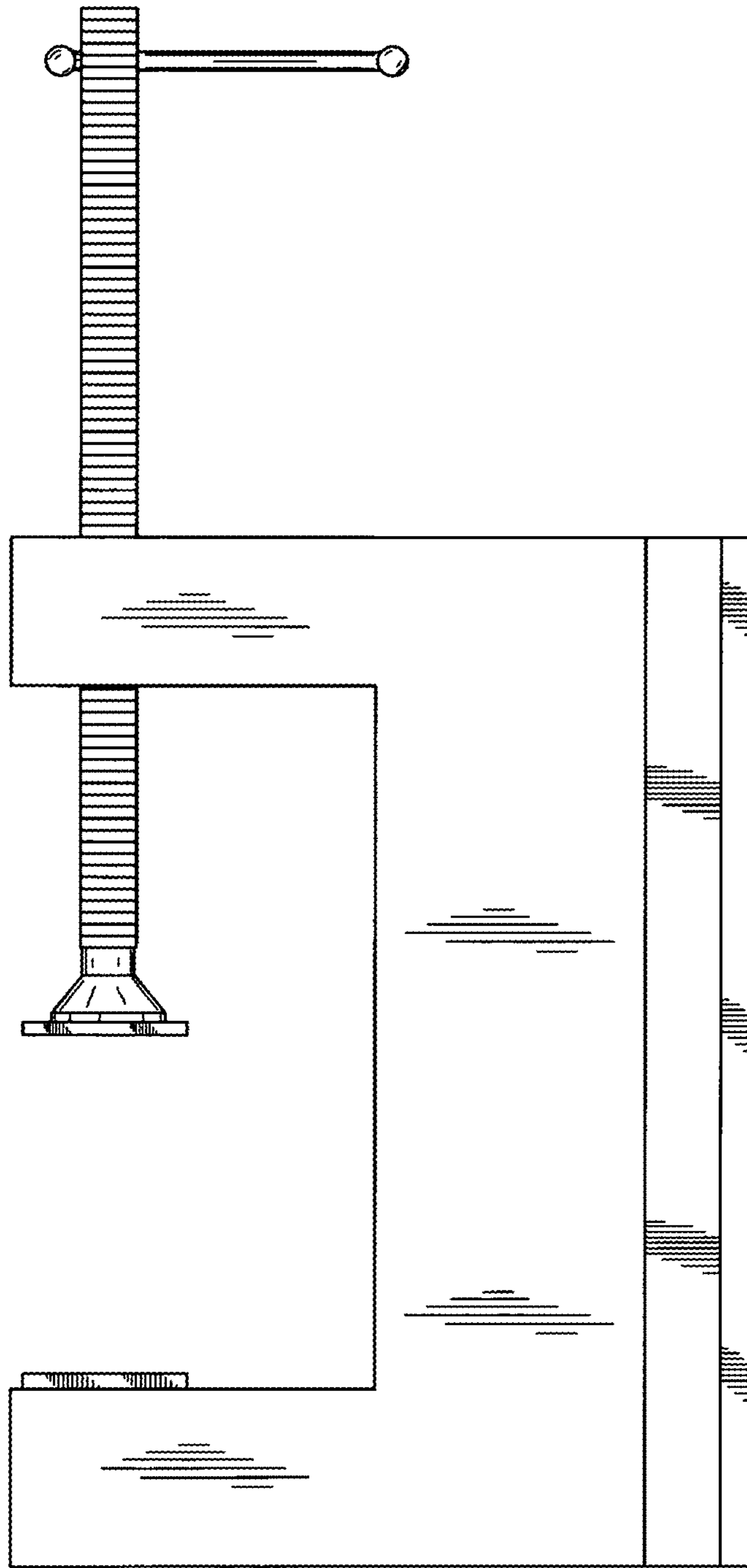


FIG. 7

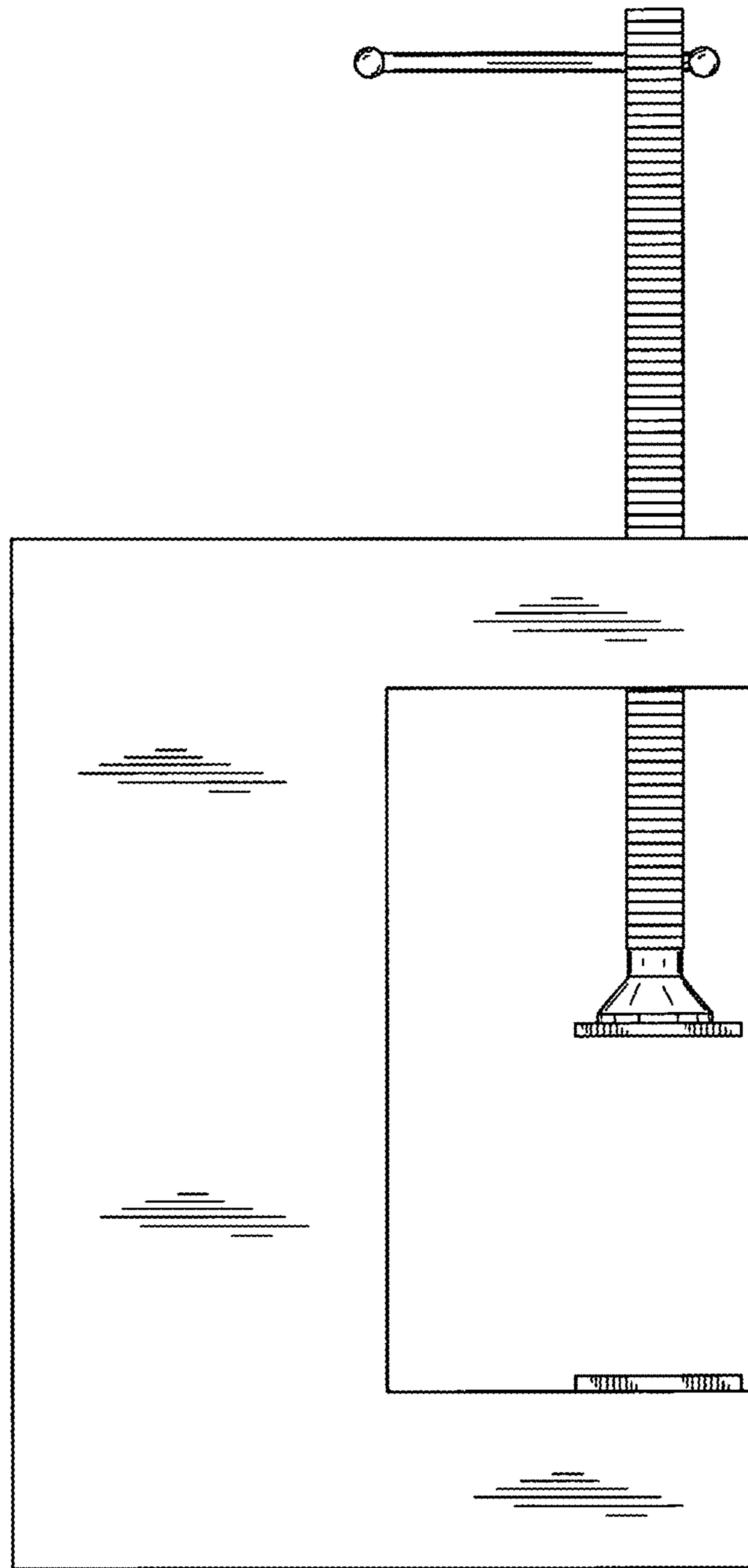


FIG. 8