



US00D859952S

(12) **United States Design Patent** (10) **Patent No.:** **US D859,952 S**
Ulloa (45) **Date of Patent:** **** Sep. 17, 2019**

(54) **ROOF KNIFE HOLDER**
(71) Applicant: **Gabriel Ulloa**, Whittier, CA (US)
(72) Inventor: **Gabriel Ulloa**, Whittier, CA (US)
(**) Term: **15 Years**
(21) Appl. No.: **29/639,648**
(22) Filed: **Mar. 7, 2018**
(51) **LOC (12) Cl.** **08-05**
(52) **U.S. Cl.**
USPC **D8/71; D3/228; D3/229**
(58) **Field of Classification Search**
USPC **D8/71; D3/221, 215, 240, 228, 229**
CPC **B26B 29/025**
See application file for complete search history.

D542,029 S * 5/2007 Schmidt D3/220
D543,694 S * 6/2007 Wang D3/218
D550,957 S * 9/2007 Erickson D3/229
D604,945 S * 12/2009 Tkachuk D3/218
8,056,715 B2 * 11/2011 Conklin B25H 3/00
206/338
D789,778 S * 6/2017 White, Sr. D26/138

* cited by examiner

Primary Examiner — Janice Hallmark
Assistant Examiner — Harold E Blackwell, II
(74) *Attorney, Agent, or Firm* — Sanchelima &
Associates, P.A.; Christian Sanchelima; Jesus Sanchelima

(57) **CLAIM**

The ornamental design for roof knife holder, as shown and described.

(56) **References Cited**

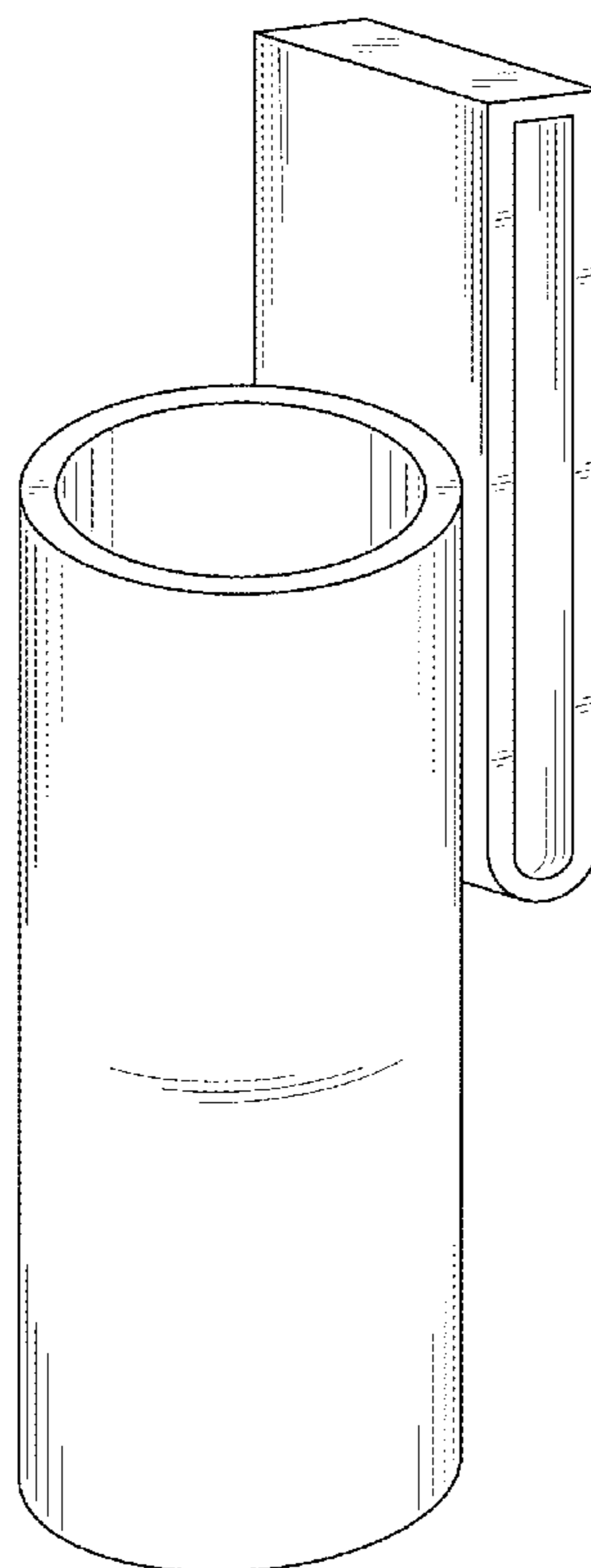
U.S. PATENT DOCUMENTS

D345,052 S * 3/1994 Stokke D11/143
D356,933 S * 4/1995 Barone, Jr. D3/228
D368,982 S * 4/1996 Black D28/38
D381,847 S * 8/1997 Shingles D6/513
D383,495 S * 9/1997 Mollet D19/77
D433,564 S * 11/2000 Backman D3/228
D439,039 S * 3/2001 Austin D3/220
D461,309 S * 8/2002 Eriksson D3/228
6,698,632 B1 * 3/2004 Turner, Jr. A45F 5/021
224/196
D535,471 S * 1/2007 Parsons D22/117

DESCRIPTION

FIG. 1 is a top perspective view of a roof knife holder showing my new design;
FIG. 2 is a front view thereof;
FIG. 3 is a rear view thereof;
FIG. 4 is a left side view thereof;
FIG. 5 is a right side view thereof;
FIG. 6 is a top view thereof; and,
FIG. 7 is a bottom view thereof showing my design.

1 Claim, 6 Drawing Sheets



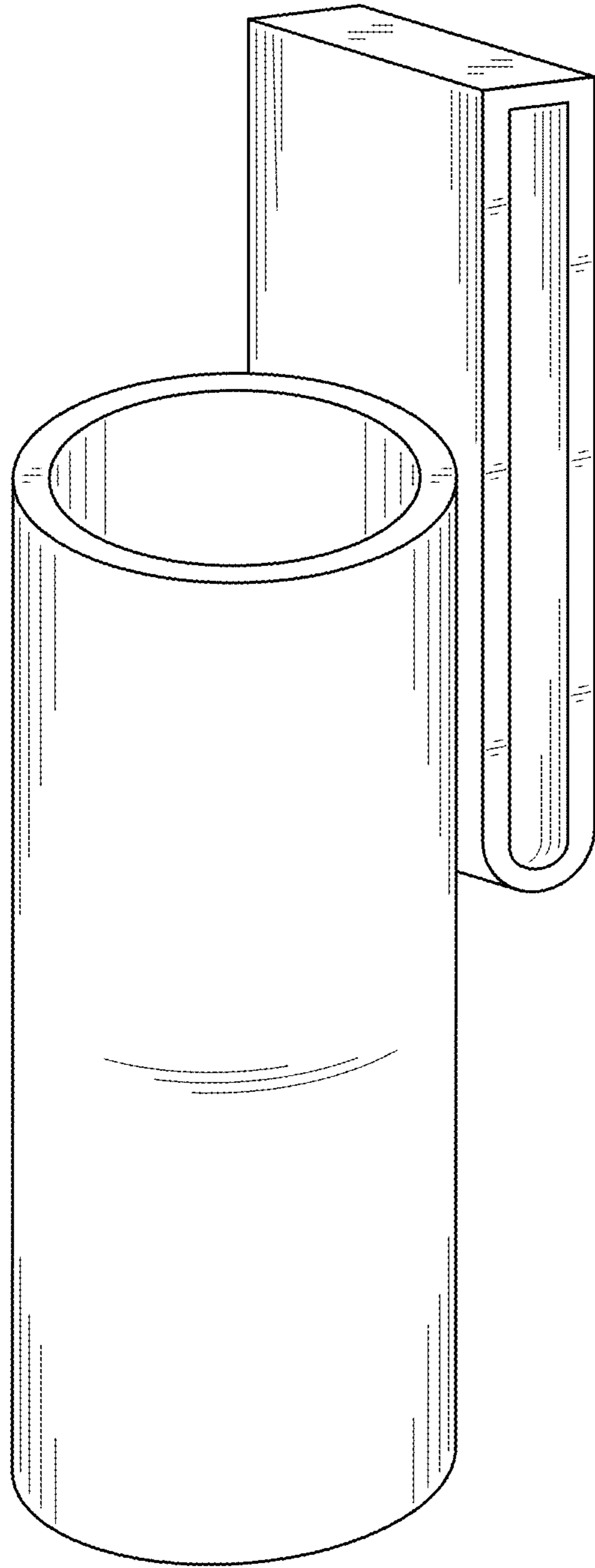


FIG. 1

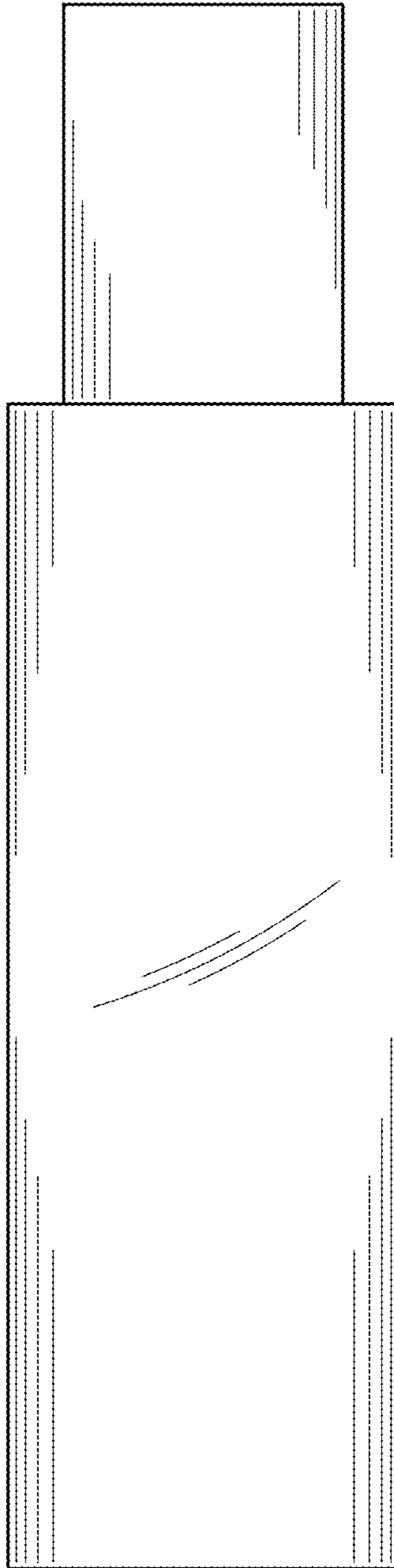


FIG. 2

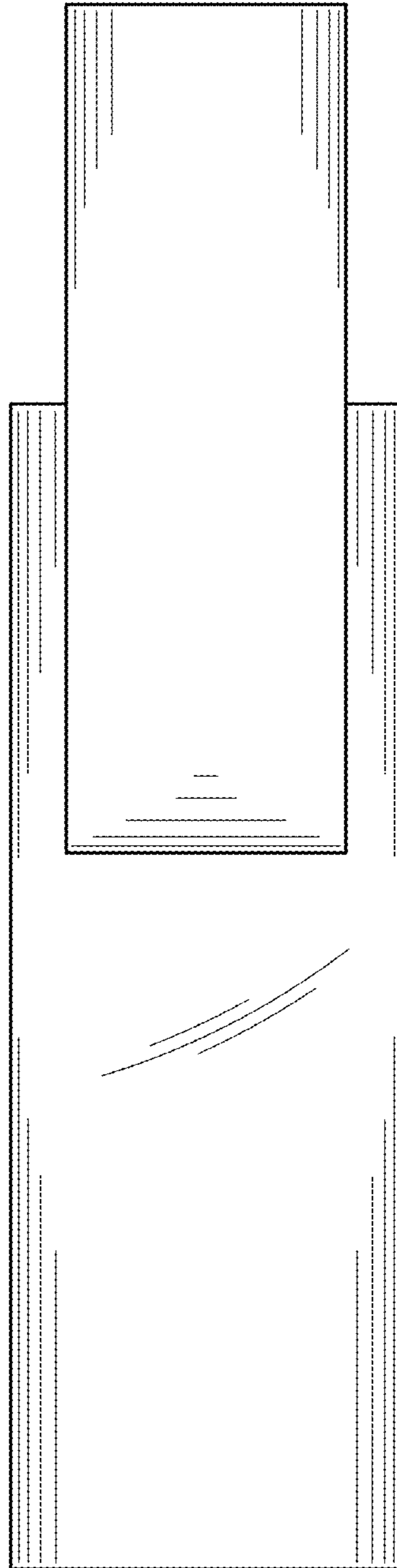


FIG. 3

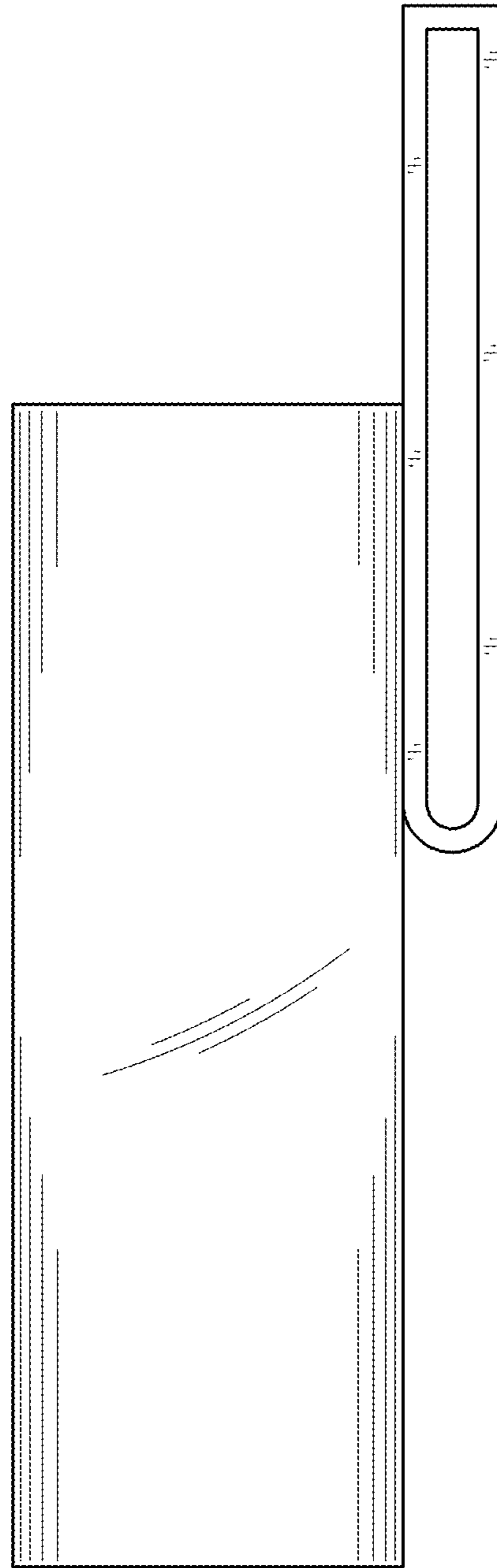


FIG. 4

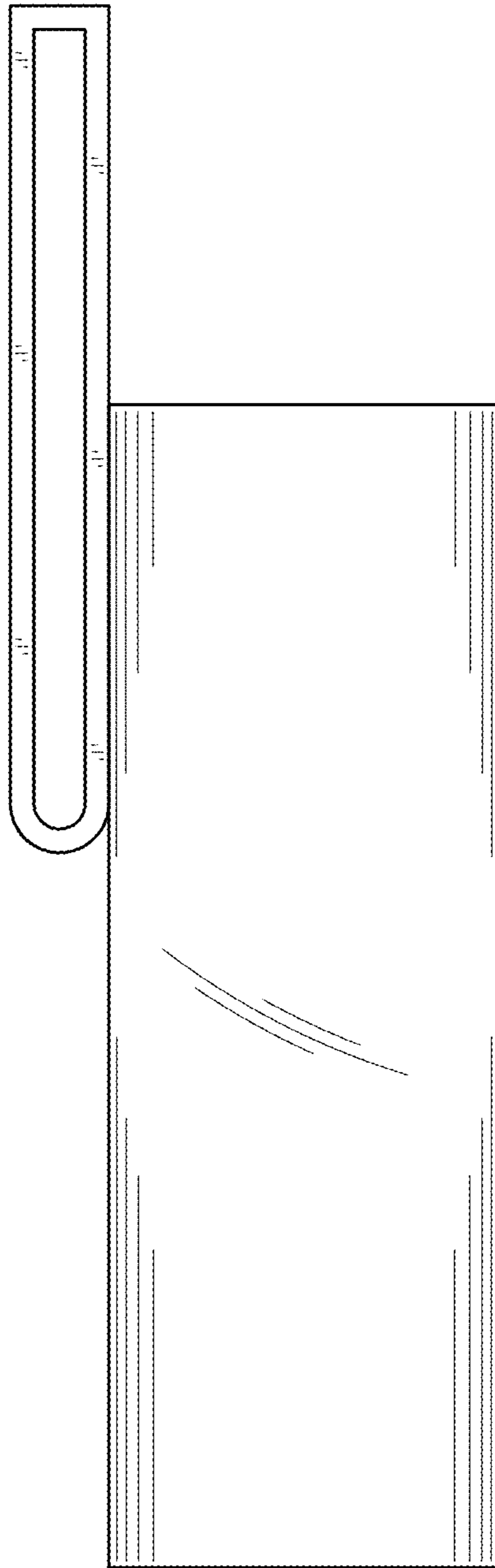


FIG. 5

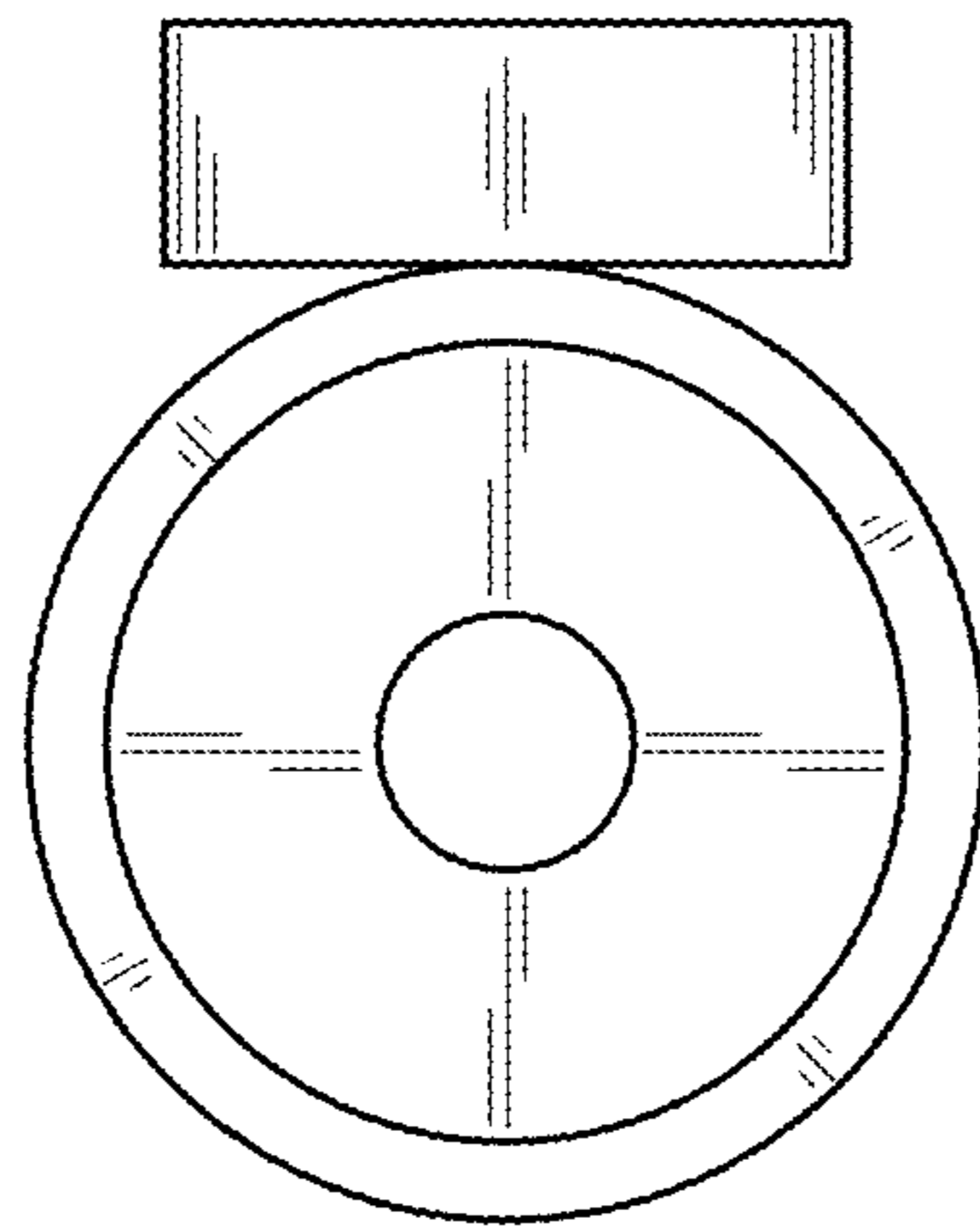


FIG. 6

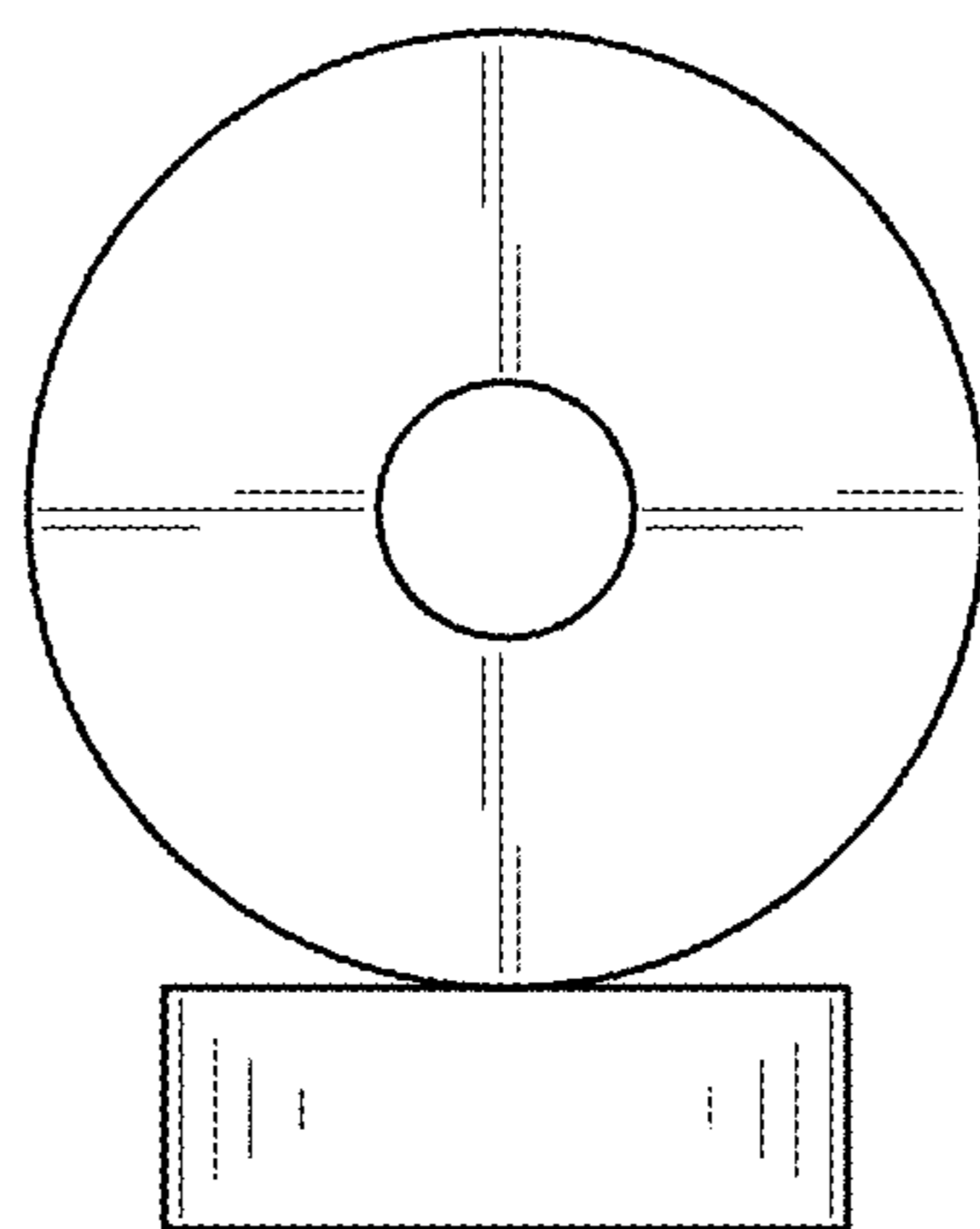


FIG. 7