



US00D859950S

(12) **United States Design Patent** (10) **Patent No.:** **US D859,950 S**  
**Dretzka et al.** (45) **Date of Patent:** **\*\* Sep. 17, 2019**

(54) **CHAINSAW**

(71) Applicant: **THE TORO COMPANY**,  
Bloomington, MN (US)

(72) Inventors: **Philip C. Dretzka**, Woodbury, MN  
(US); **David J. Martin**, Eden Prairie,  
MN (US); **Ryan J. Sweere**,  
Minneapolis, MN (US); **Tyler E.**  
**Peterson**, Lindstrom, MN (US)

(73) Assignee: **THE TORO COMPANY**,  
Bloomington, MN (US)

(\*\*) Term: **15 Years**

(21) Appl. No.: **29/601,676**

(22) Filed: **Apr. 25, 2017**

(51) **LOC (12) Cl.** ..... **08-03**

(52) **U.S. Cl.**  
USPC ..... **D8/65**

(58) **Field of Classification Search**  
USPC ..... D8/1, 7, 8, 9, 65, 499; D15/1, 17  
CPC ..... A01G 3/06; A01G 3/053; A01G 3/067;  
A01G 3/0535; A01G 3/00; A01G 3/062  
See application file for complete search history.

(56) **References Cited**

U.S. PATENT DOCUMENTS

D641,603 S *	7/2011	Tinius	.....	D8/65
D767,962 S *	10/2016	Schoch	.....	D8/65
D805,869 S *	12/2017	Baxter	.....	D8/65
2006/0230900 A1 *	10/2006	Bergquisto	.....	B27B 17/14 83/381
2014/0283395 A1 *	9/2014	Fu	.....	B27B 17/12 30/381
2014/0290076 A1 *	10/2014	Takayanagi	.....	B27B 17/14 30/386
2017/0203462 A1 *	7/2017	Haneda	.....	B27B 17/08
2017/0297216 A1 *	10/2017	Kachi	.....	B27B 17/08

OTHER PUBLICATIONS

Greenworks "40V Brushless Chainsaw 20322." Greenworks, 2014;  
43 pages.  
(Continued)

*Primary Examiner* — Sandra S Snapp  
*Assistant Examiner* — Ieisha N Price  
(74) *Attorney, Agent, or Firm* — Mueting, Raasch &  
Gebhardt, P.A.

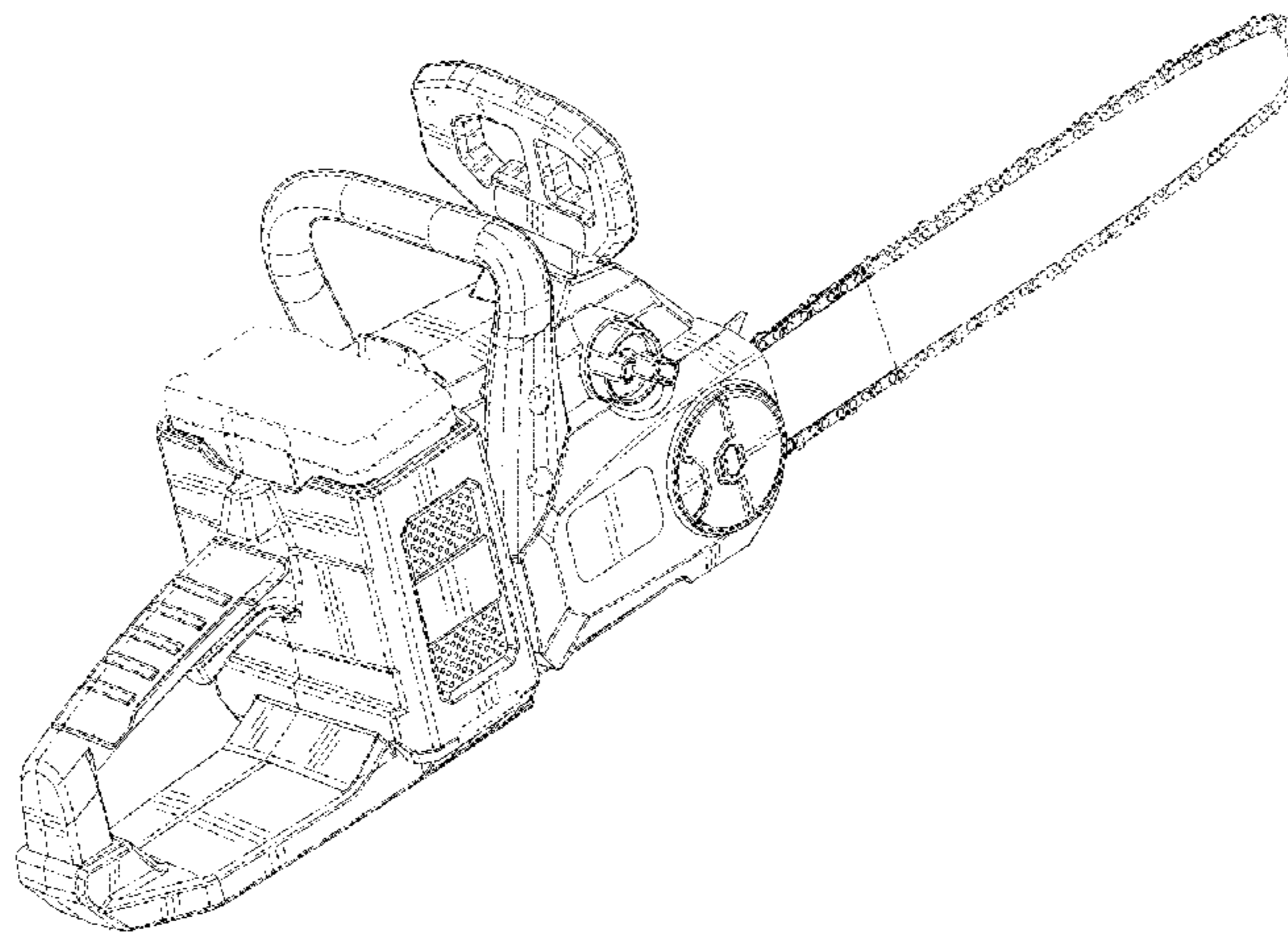
(57) **CLAIM**

The ornamental design for a chainsaw, as shown and described.

**DESCRIPTION**

FIG. 1 is a right rear perspective view of a chainsaw in accordance with the claimed design;  
FIG. 2 is a bottom left perspective view of the design of FIG. 1;  
FIG. 3 is a left side elevation view of the design of FIG. 1;  
FIG. 4 is a right side elevation view of the design of FIG. 1;  
FIG. 5 is a top plan view of the design of FIG. 1;  
FIG. 6 is a bottom plan view of the design of FIG. 1;  
FIG. 7 is a rear elevation view of the design of FIG. 1; and,  
FIG. 8 is a front elevation view of the design of FIG. 1.  
The dash-dash broken lines in the figures (including portions depicting unclaimed parts of the chainsaw, the attached battery, portions adjacent the dot-dash broken lines, and the longitudinal seam lines) represent environment and form no part of the claimed design.  
The dot-dash broken lines in the figures immediately adjacent the solid lines represent a boundary between claimed and unclaimed subject matter and form no part of the claimed design.

**1 Claim, 8 Drawing Sheets**



(56)

**References Cited**

OTHER PUBLICATIONS

Oregon Cordless Tool System "Original Instruction Manual: Chain Saw Model CS300." Blount International Inc., 2014; 148 pages.

Ryobi "Operator's Manual, 40V Chain Saw RY 40502." Techtronic Industries Power Equipment, 2016, 92 pages.

Ryobi "Operator's Manual, 18 Volt Chain Saw P546." Techtronic Industries Power Equipment, 2015, 92 pages.

U.S. Appl. No. 29/592,487, filed Jan. 31, 2017, The Toro Co.

U.S. Appl. No. 29/601,668, filed Apr. 25, 2017, The Toro Co.

U.S. Appl. No. 29/601,674, filed Apr. 25, 2017, The Toro Co.

U.S. Appl. No. 29/601,679, filed Apr. 25, 2017, The Toro Co.

\* cited by examiner

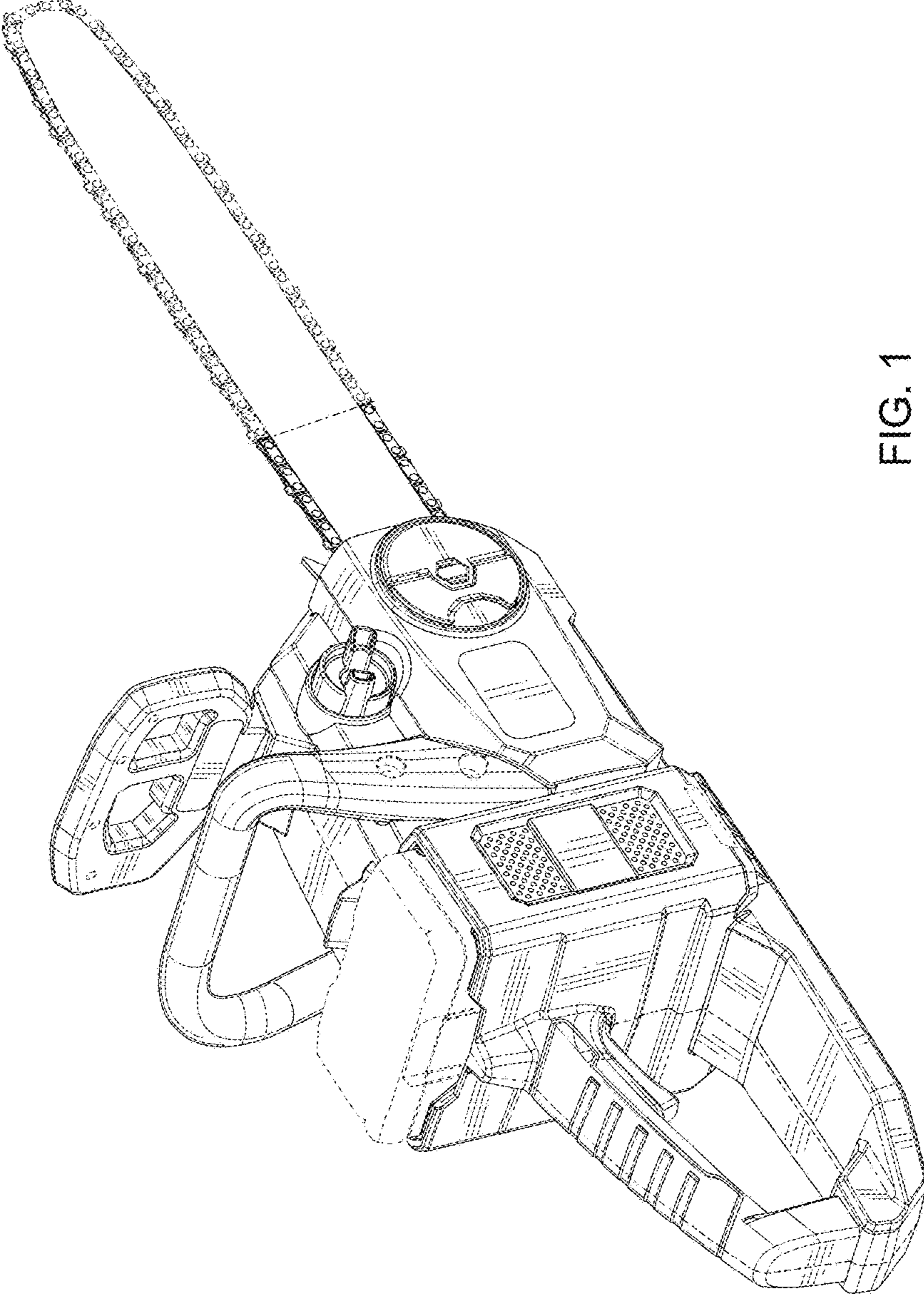


FIG. 1

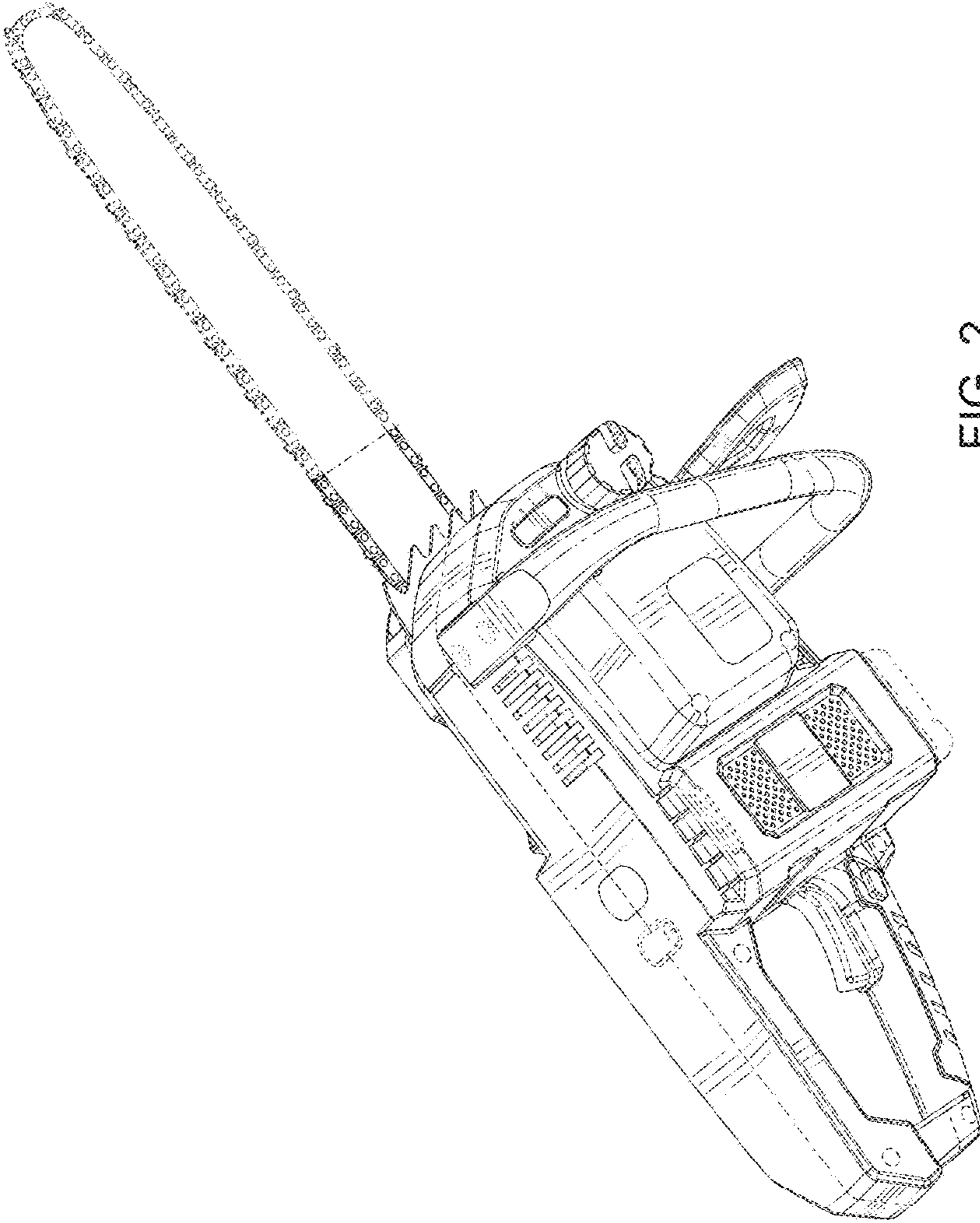


FIG. 2

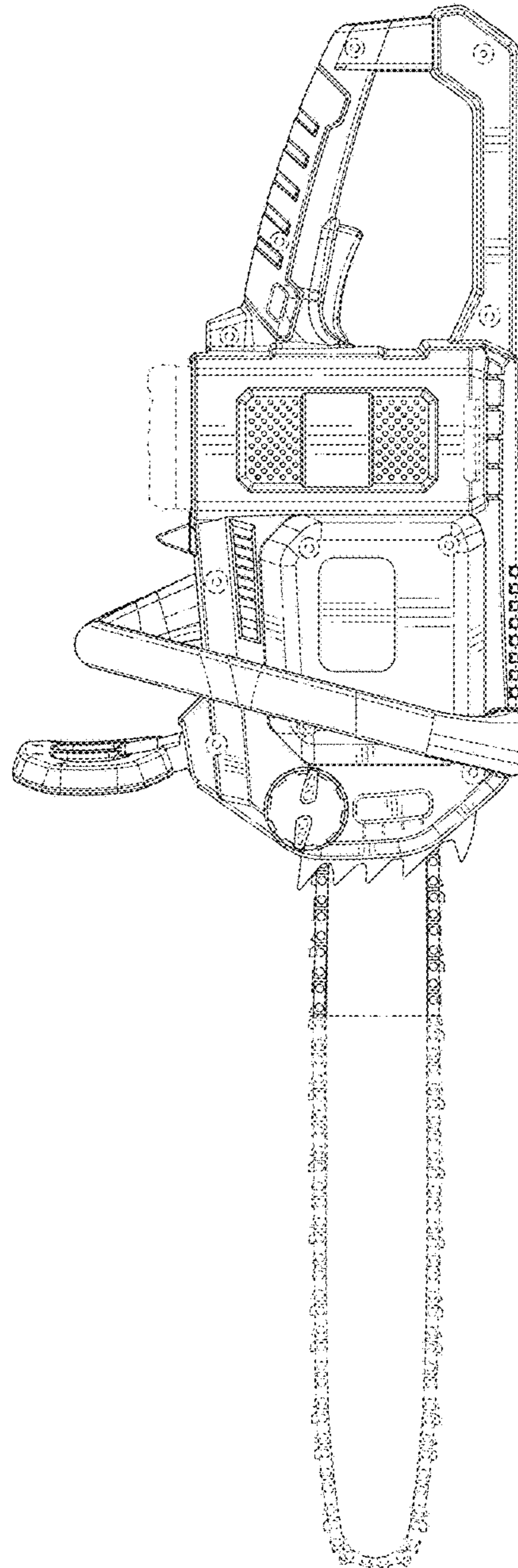


FIG. 3

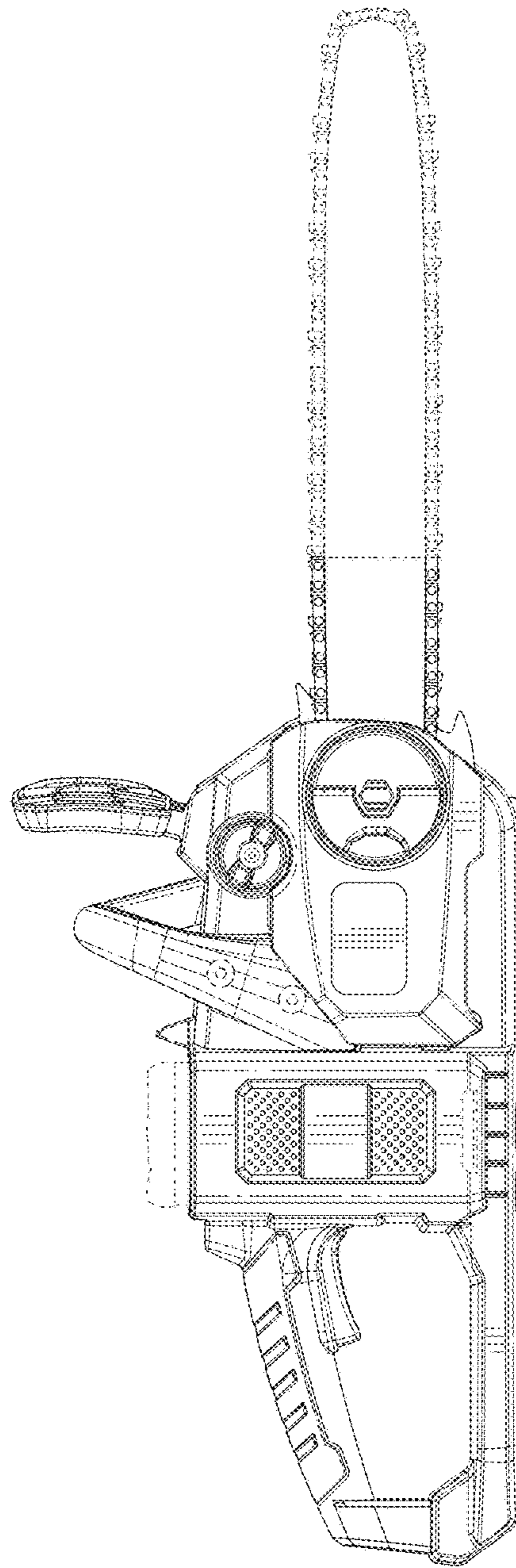


FIG. 4

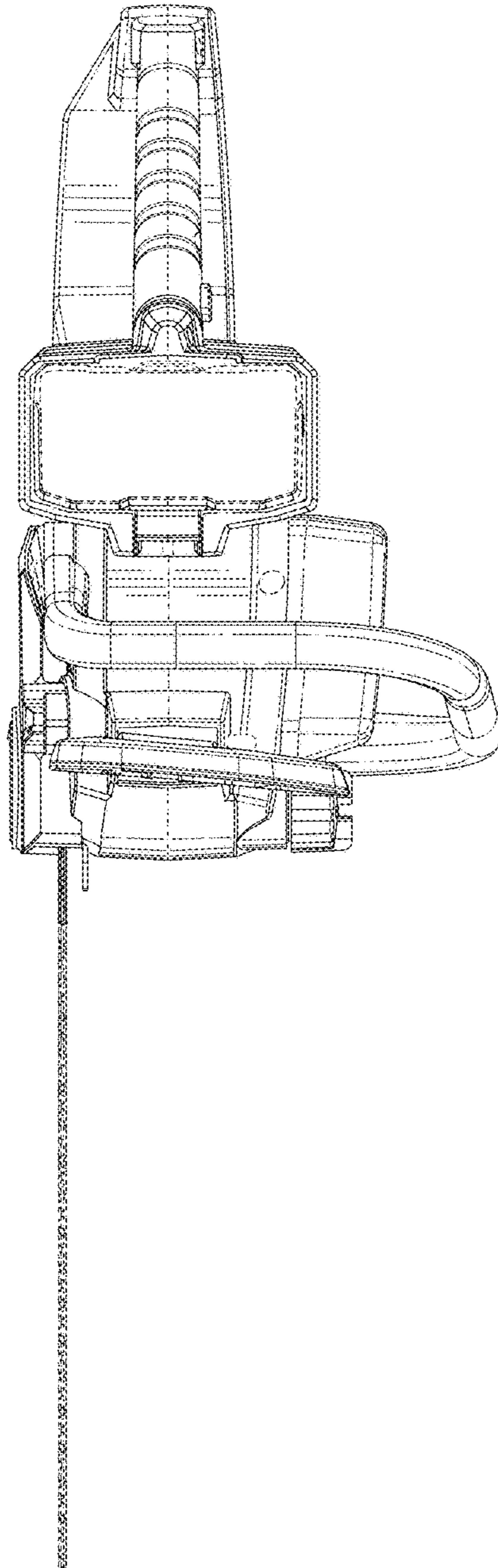


FIG. 5

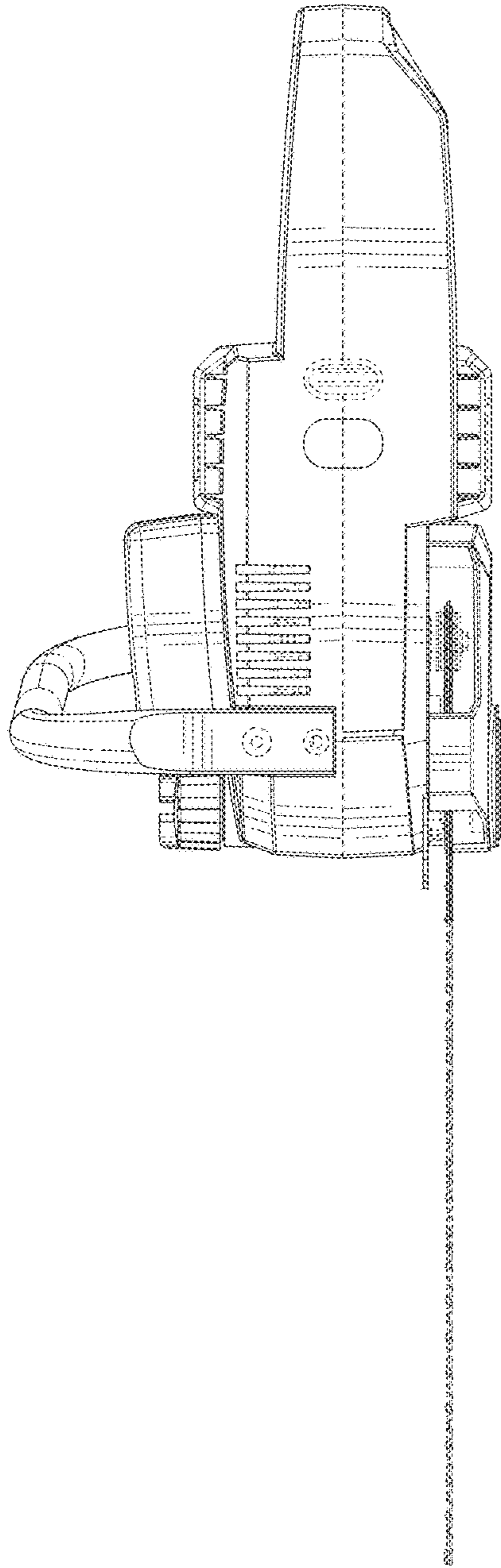


FIG. 6



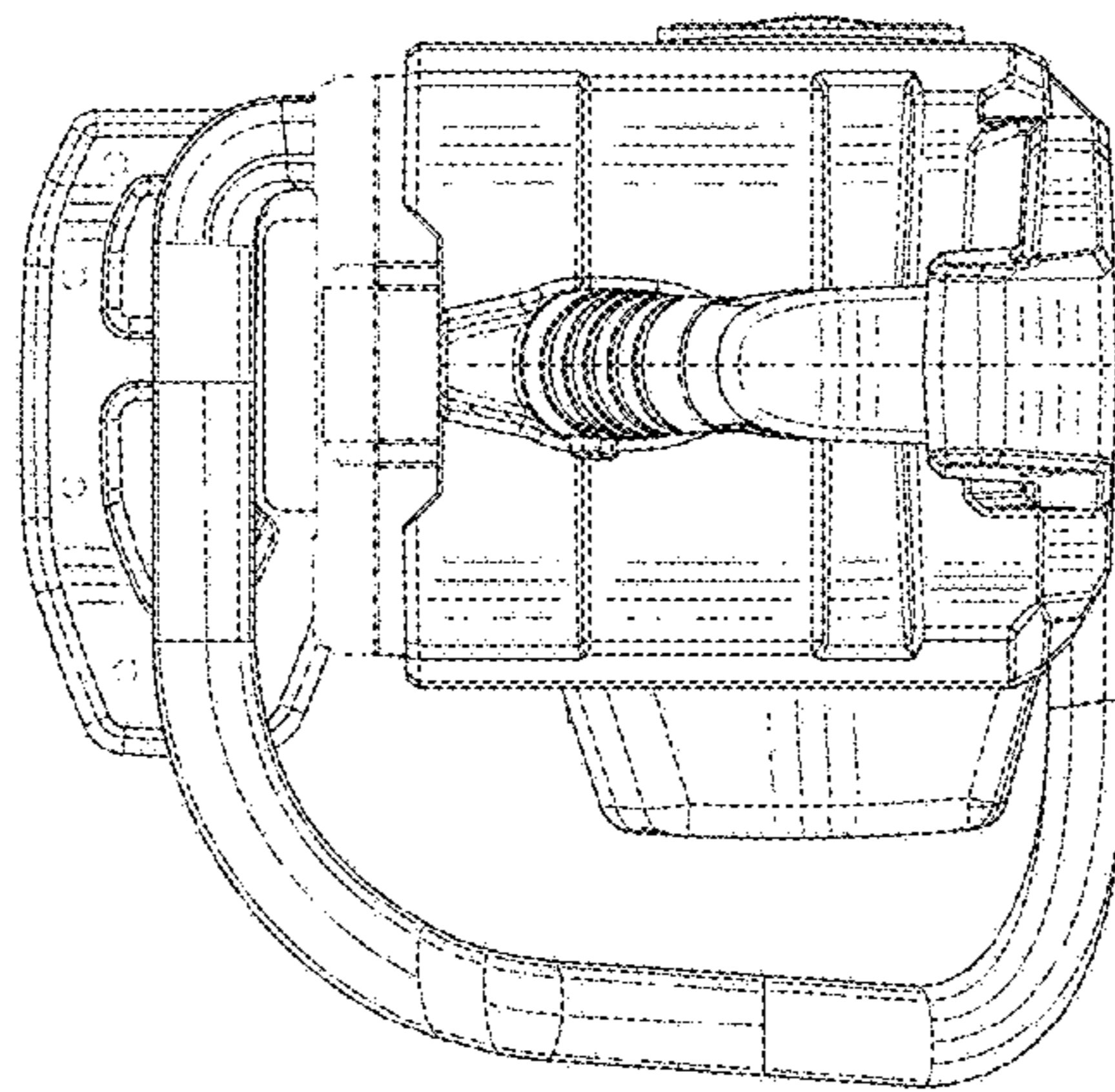


FIG. 7

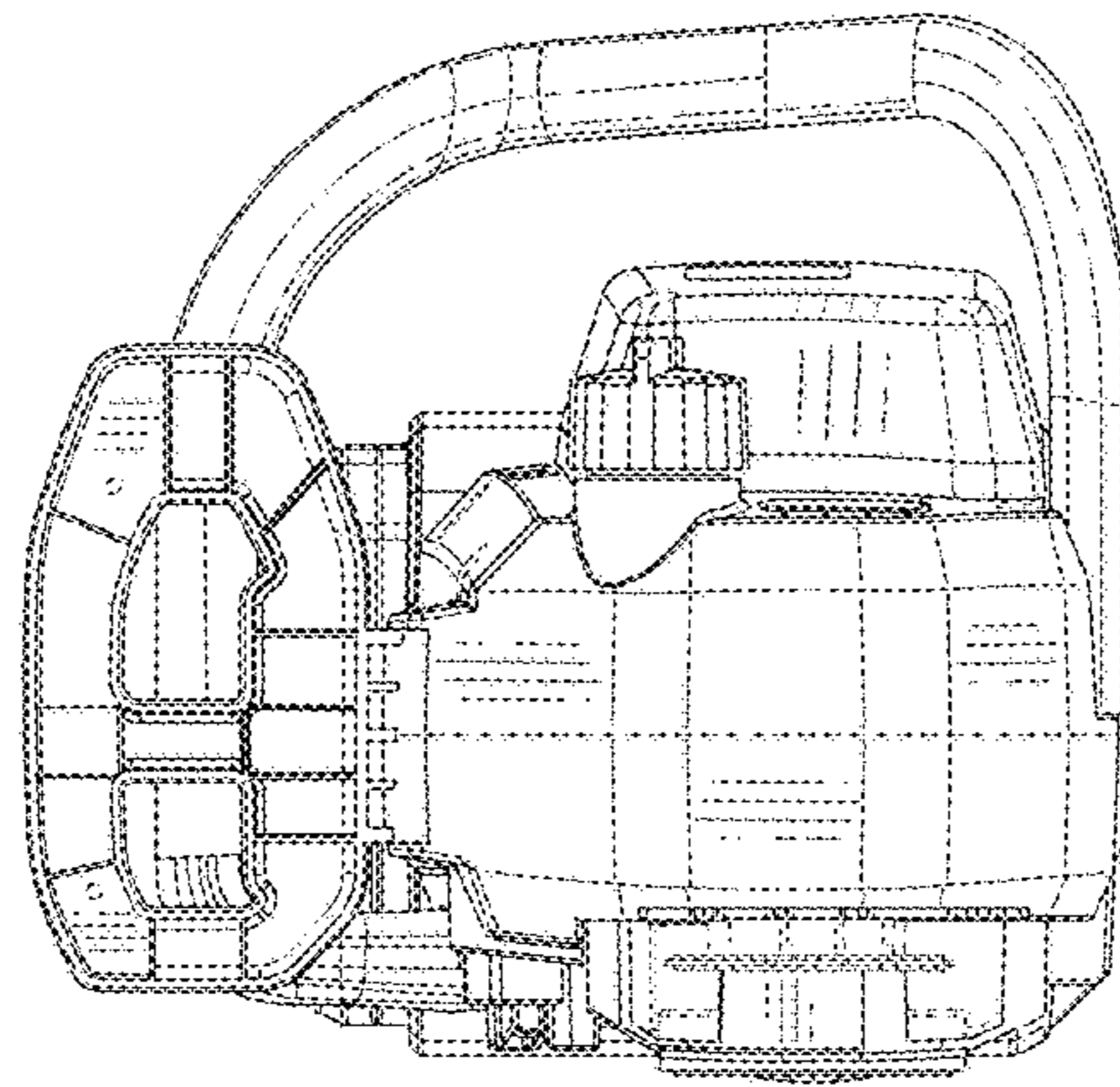


FIG. 8