



US00D859949S

(12) **United States Design Patent** (10) **Patent No.:** **US D859,949 S**  
**Wason et al.** (45) **Date of Patent:** **\*\* Sep. 17, 2019**

- (54) **HANDLE FOR IN-LINE POWER TOOLS**
- (71) Applicant: **Hubbell Incorporated**, Shelton, CT (US)
- (72) Inventors: **Peter Matthew Wason**, Manchester, NH (US); **Paul Silva**, Londonderry, NH (US)
- (73) Assignee: **Hubbell Incorporated**, Shelton, CT (US)
- (\*\*) Term: **15 Years**
- (21) Appl. No.: **29/659,324**
- (22) Filed: **Aug. 8, 2018**

- D657,220 S 4/2012 Isobe
- D657,221 S 4/2012 Isobe
- D673,829 S 1/2013 Takeshima
- D696,090 S 12/2013 Takeshima
- D709,748 S 7/2014 Frenken
- D710,173 S 8/2014 Frenken
- D729,602 S \* 5/2015 Stucki ..... D8/61
- D734,112 S 7/2015 Herault
- D767,959 S 10/2016 Sokat
- D767,960 S 10/2016 Haneishi

(Continued)

Primary Examiner — Austin Murphy

(74) *Attorney, Agent, or Firm* — Wissing Miller LLP

**Related U.S. Application Data**

- (62) Division of application No. 29/604,081, filed on May 15, 2017, now Pat. No. Des. 835,487.
- (51) **LOC (12) Cl.** ..... **08-05**
- (52) **U.S. Cl.**  
USPC ..... **D8/61**
- (58) **Field of Classification Search**  
USPC ..... D8/70, 82, 85–87, 105; D15/139; 81/436, 460–461  
CPC ..... B25B 13/06; B25B 13/5091; B25B 15/00; B25B 15/001; B25B 15/002; B25B 15/004; B25B 15/005; B25B 15/008; B25B 15/02; B25B 15/04; B25B 17/00; B25B 21/007; B25B 23/00; B25B 23/0035; B25B 23/005; B25B 23/12; B25B 23/1405; B25B 27/18; B25B 31/12; B25B 51/08; B25B 51/108; B25B 2251/66; B23P 15/00  
See application file for complete search history.

**References Cited**

**U.S. PATENT DOCUMENTS**

- 7,219,526 B2 \* 5/2007 Herod ..... B21J 15/10 29/243.53
- 7,464,578 B2 12/2008 Ayer et al.

(57) **CLAIM**

The ornamental design for a handle for in-line power tools, as shown and described.

**DESCRIPTION**

FIG. 1 is a front, first side perspective view of the new design for a handle for in-line power tools in accordance with the present invention;

FIG. 2 is a side elevation view of the first side of the handle for in-line power tools shown in FIG. 1;

FIG. 3 is a side elevation view of a second side of the handle for in-line power tools shown in FIG. 1;

FIG. 4 is a top plan view of the handle for in-line power tools shown in FIG. 1;

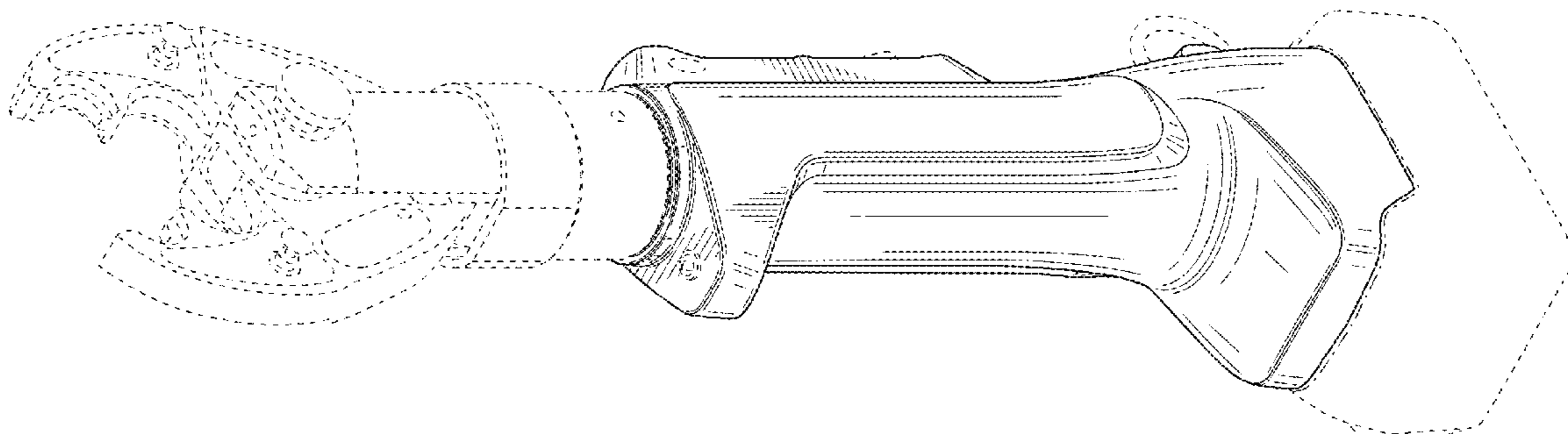
FIG. 5 is a bottom plan view of the handle for in-line power tools shown in FIG. 1;

FIG. 6 is a front elevational view of the handle for in-line power tools shown in FIG. 1; and,

FIG. 7 is a rear elevational view of the handle for in-line power tools shown in FIG. 1.

The broken lines within the various embodiments of the claimed design and the spaces therein are for environmental purposes only and form no part of the claimed design.

**1 Claim, 6 Drawing Sheets**



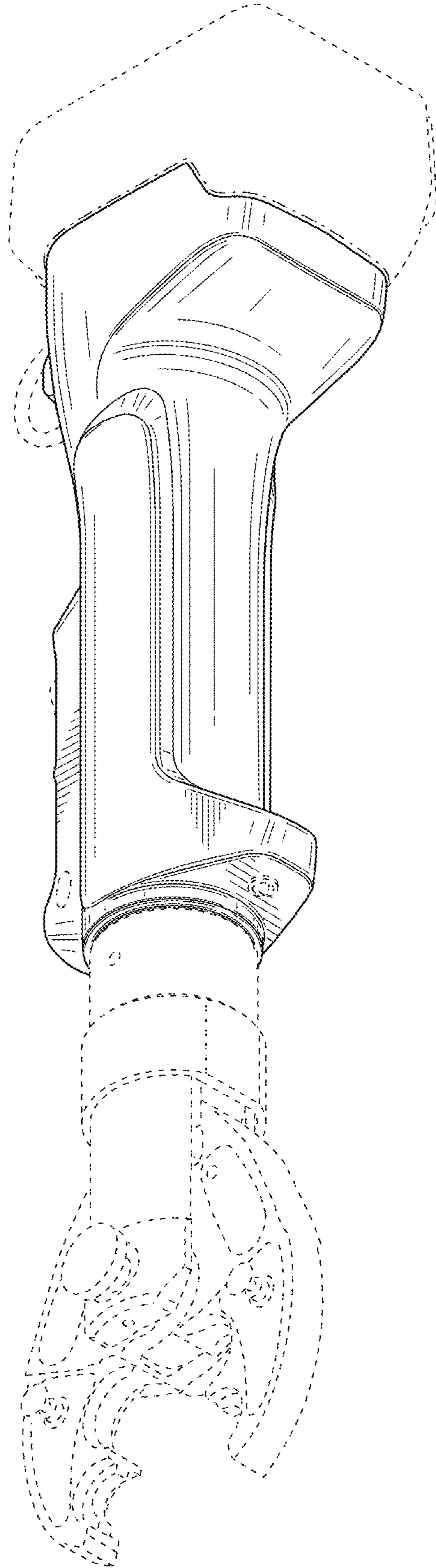
(56)

**References Cited**

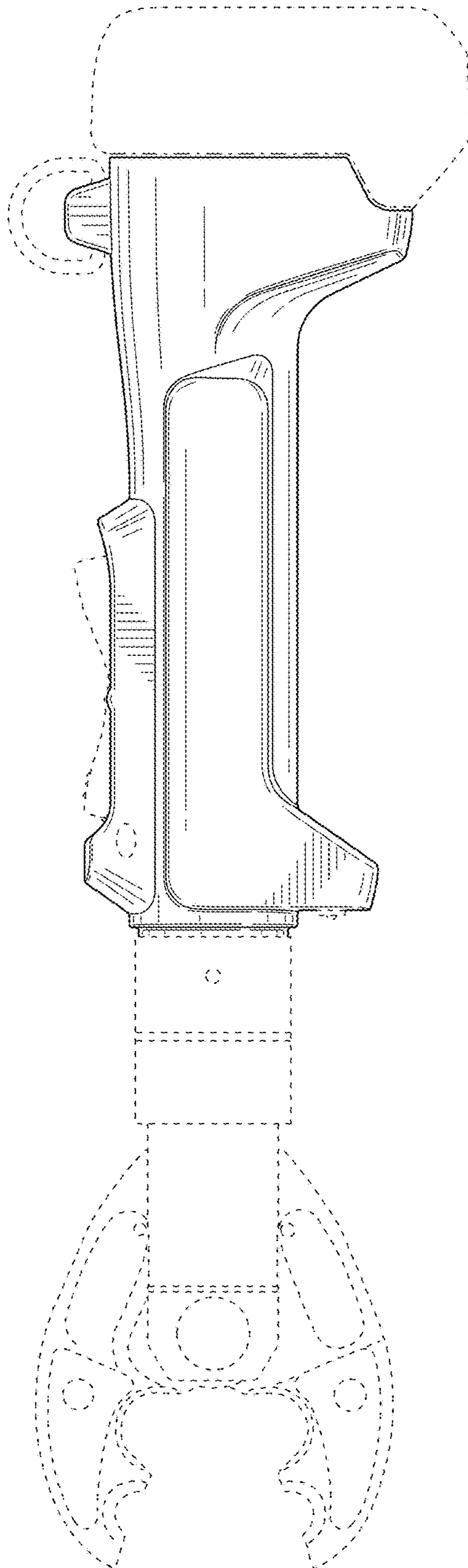
U.S. PATENT DOCUMENTS

D774,858	S	12/2016	Stucki	
D779,902	S	2/2017	Sokat	
D832,670	S *	11/2018	Uchiyama .....	D8/61
D834,908	S *	12/2018	Konnecke .....	D8/61
D835,487	S *	12/2018	Wason .....	D8/61
2002/0007658	A1 *	1/2002	Amherd .....	B25B 27/10 72/453.16
2004/0144146	A1 *	7/2004	Amherd .....	B21D 39/048 72/21.3
2006/0272381	A1 *	12/2006	Ayer .....	B25B 27/10 72/453.16
2007/0256554	A1	11/2007	Montminy et al.	
2008/0087064	A1	4/2008	Lefavour et al.	
2009/0031779	A1	2/2009	Lefavour et al.	
2010/0107843	A1	5/2010	Lefavour et al.	
2010/0325894	A1 *	12/2010	Scott .....	B23D 21/00 30/92

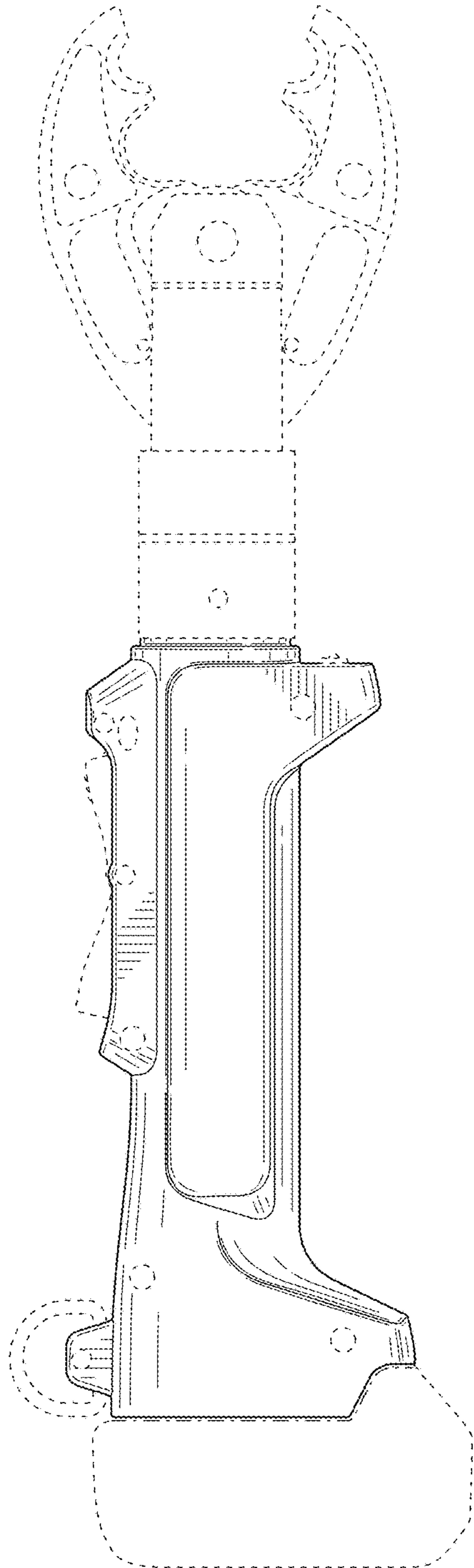
\* cited by examiner



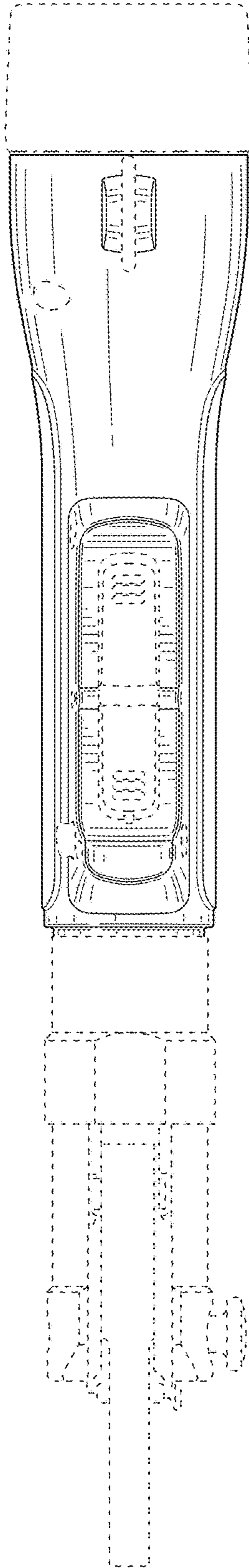
**FIG. 1**



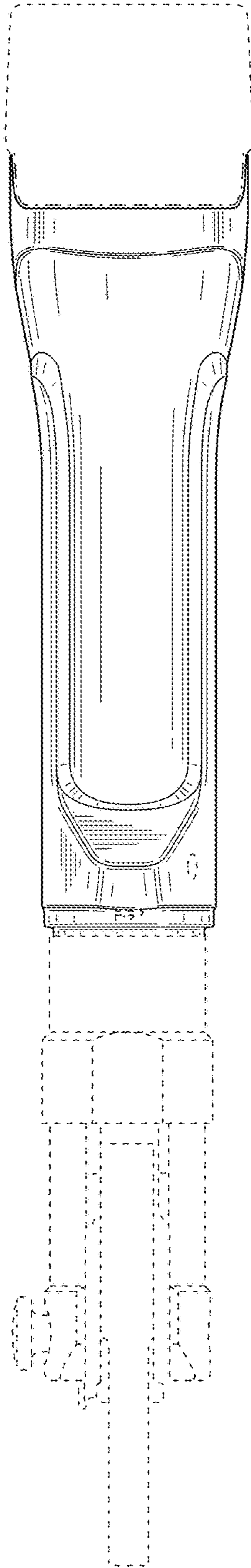
**FIG. 2**



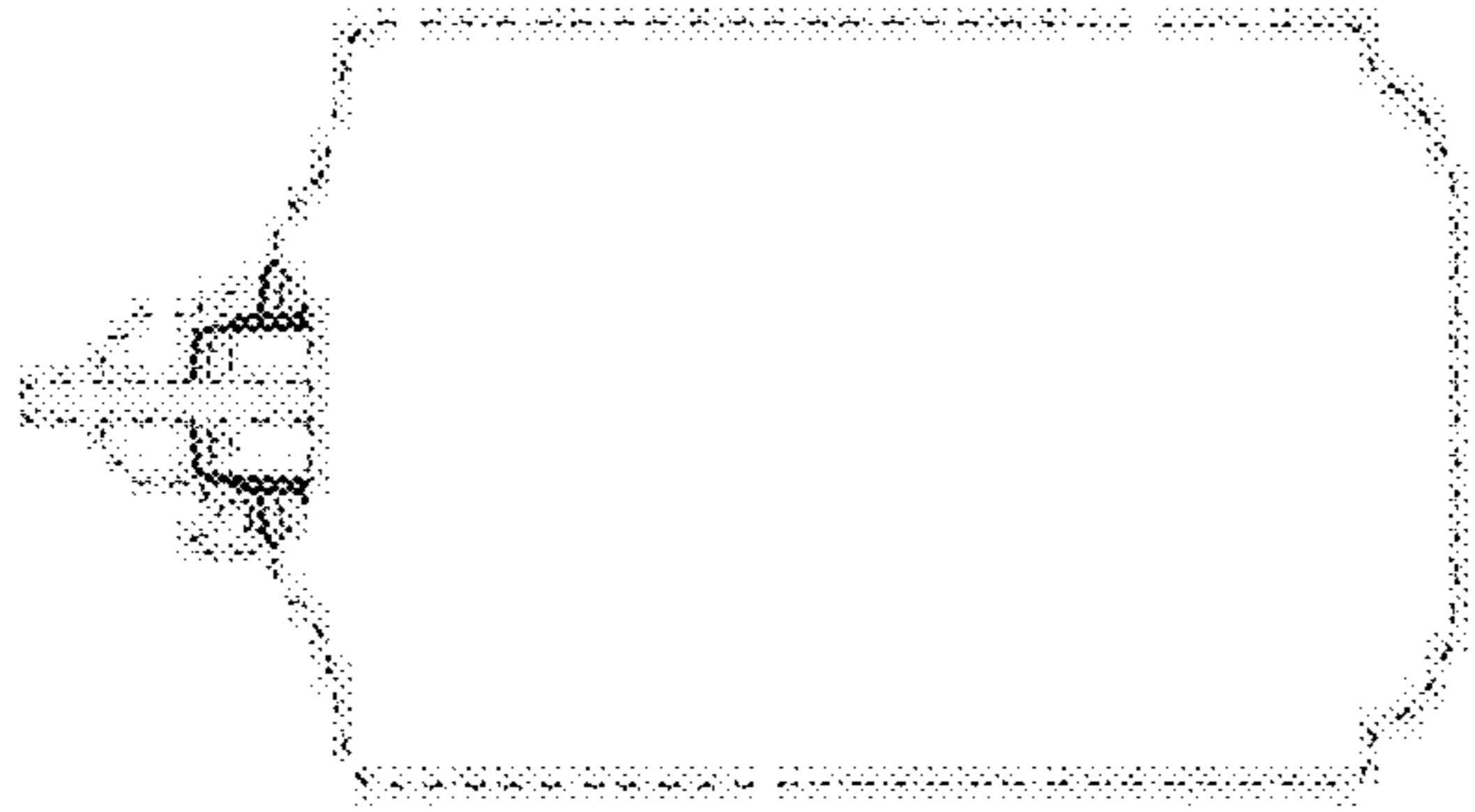
**FIG. 3**



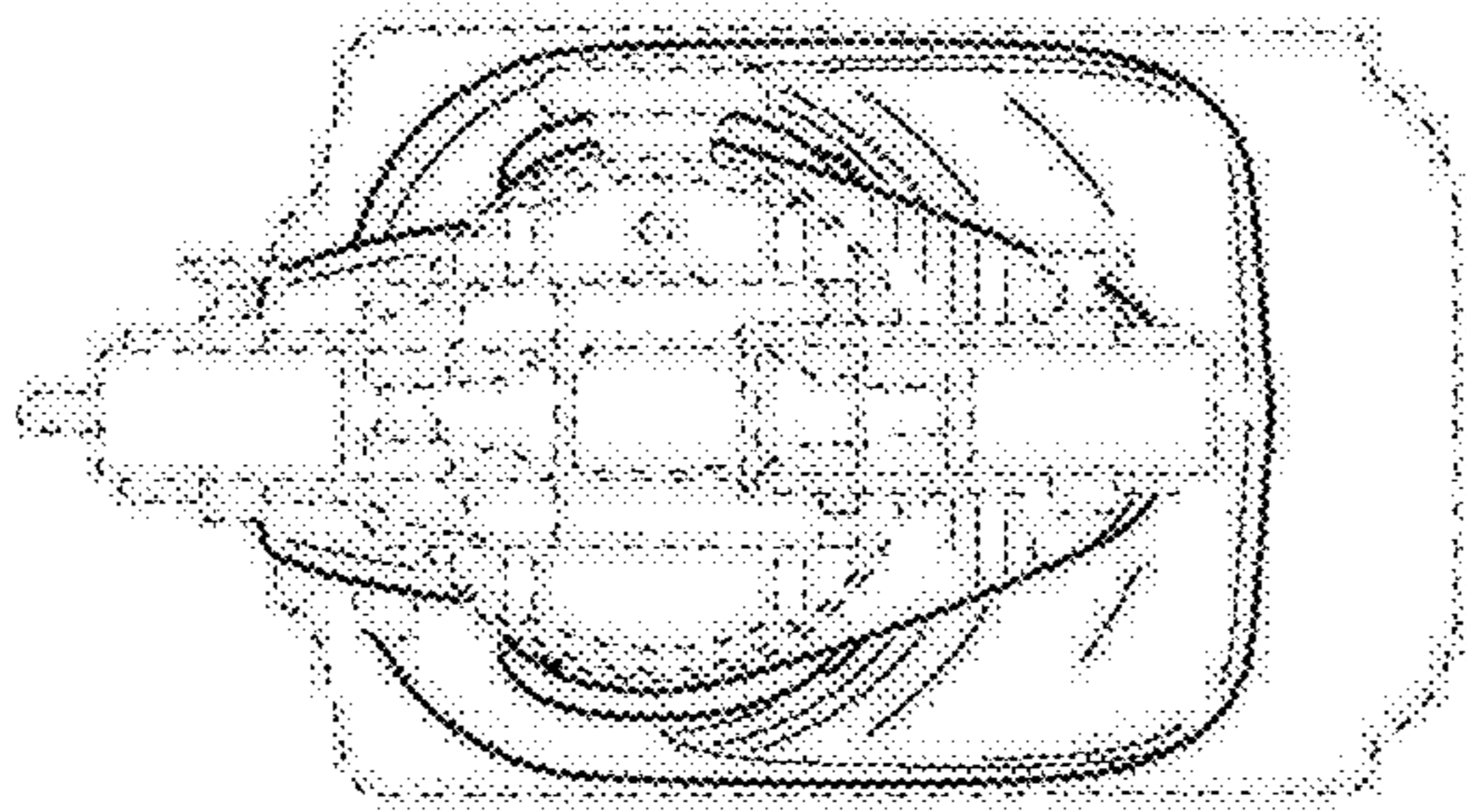
**FIG. 4**



**FIG. 5**



**FIG. 7**



**FIG. 6**