



US00D859948S

(12) **United States Design Patent** (10) **Patent No.:** **US D859,948 S**  
**Niles** (45) **Date of Patent:** **\*\* \*Sep. 17, 2019**

(54) **BOTTLE OPENER**  
(71) Applicant: **Ruth Niles**, Newville, PA (US)  
(72) Inventor: **Ruth Niles**, Newville, PA (US)  
(\* ) Notice: This patent is subject to a terminal disclaimer.  
(\*\* ) Term: **15 Years**  
(21) Appl. No.: **29/611,484**  
(22) Filed: **Jul. 21, 2017**  
(51) **LOC (12) Cl.** ..... **07-99**  
(52) **U.S. Cl.**  
USPC ..... **D8/33**  
(58) **Field of Classification Search**  
USPC ..... D8/18, 33, 34, 40, 43, 88, 89, 105;  
D3/221, 254, 257, 258; D11/1, 7, 14, 17,  
D11/22, 30, 95, 99, 184, 204, 211;  
D21/301, 308, 314, 315, 316, 318, 319,  
D21/386, 398, 698, 701, 708, 712, 713,  
D21/780, 781, 788, 799.1; 30/400, 410;  
81/3.27, 3.29, 3.55; 7/126, 151  
CPC .... B67B 7/00; B67B 7/04; B67B 7/06; B67B  
7/12; B67B 7/14; B67B 7/16; B67B 7/18;  
B67B 7/0423; B25F 1/00  
See application file for complete search history.

D656,376 S \* 3/2012 Blazevic ..... D8/34  
D763,685 S \* 8/2016 Arriaga ..... D9/436  
D795,063 S \* 8/2017 Arriaga ..... D9/436  
D804,264 S \* 12/2017 Macan ..... D8/40  
D806,492 S \* 1/2018 Willhite ..... D8/40  
D809,885 S \* 2/2018 Kiela, II ..... D8/33

\* cited by examiner

*Primary Examiner* — Wan Laymon

*Assistant Examiner* — Clint A Samuel

(74) *Attorney, Agent, or Firm* — Steve O'Donnell

(56) **References Cited**

**U.S. PATENT DOCUMENTS**

D284,553 S \* 7/1986 Collister ..... D9/435  
7,888,572 B2 \* 2/2011 Rosenberg ..... G10G 5/005  
84/327

(57) **CLAIM**

I claim the ornamental design for a bottle opener, as shown and described.

**DESCRIPTION**

FIG. 1 is a perspective view of a bottle opener showing my design;  
FIG. 2 is a front elevation view thereof;  
FIG. 3 is a top plan view thereof;  
FIG. 4 is a bottom plan view thereof; and,  
FIG. 5 is another perspective view with a capped bottle and optional handle shown in broken lines.  
The dash-dot-dash and dot-dot-dot broken lines are included for the purpose of illustrating environmental elements that form no part of the claimed design.

**1 Claim, 2 Drawing Sheets**

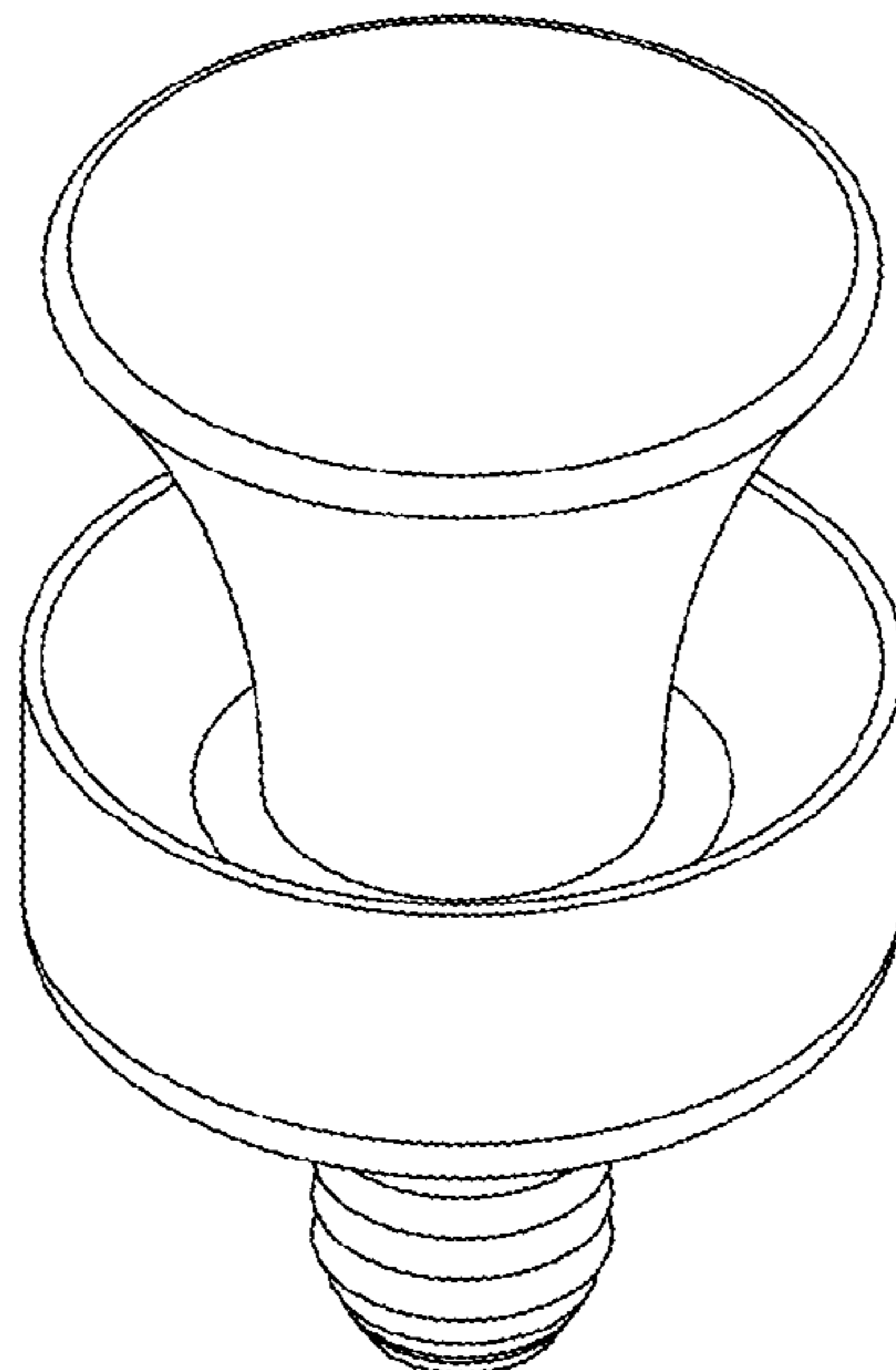


Figure 1

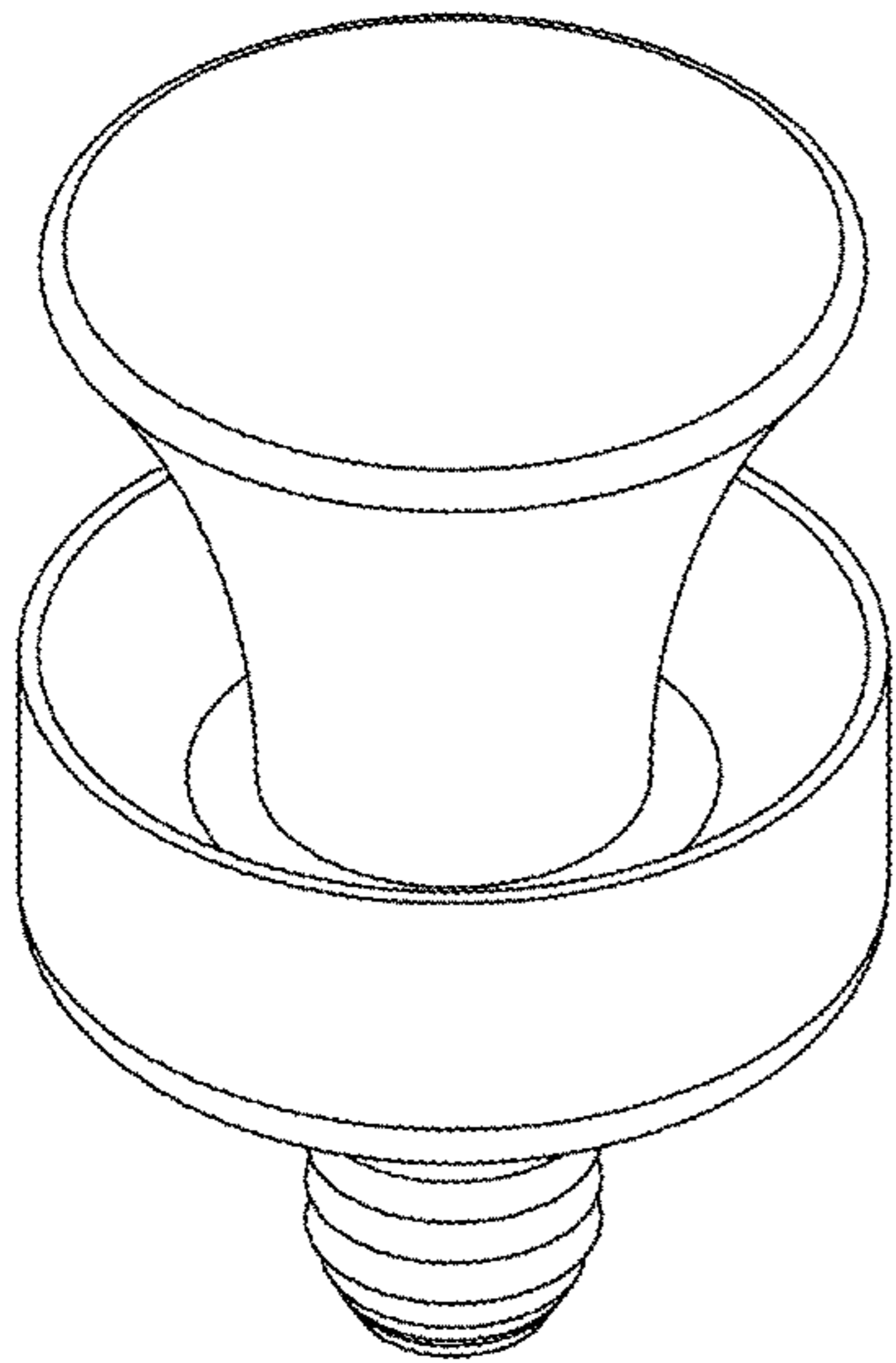


Figure 2

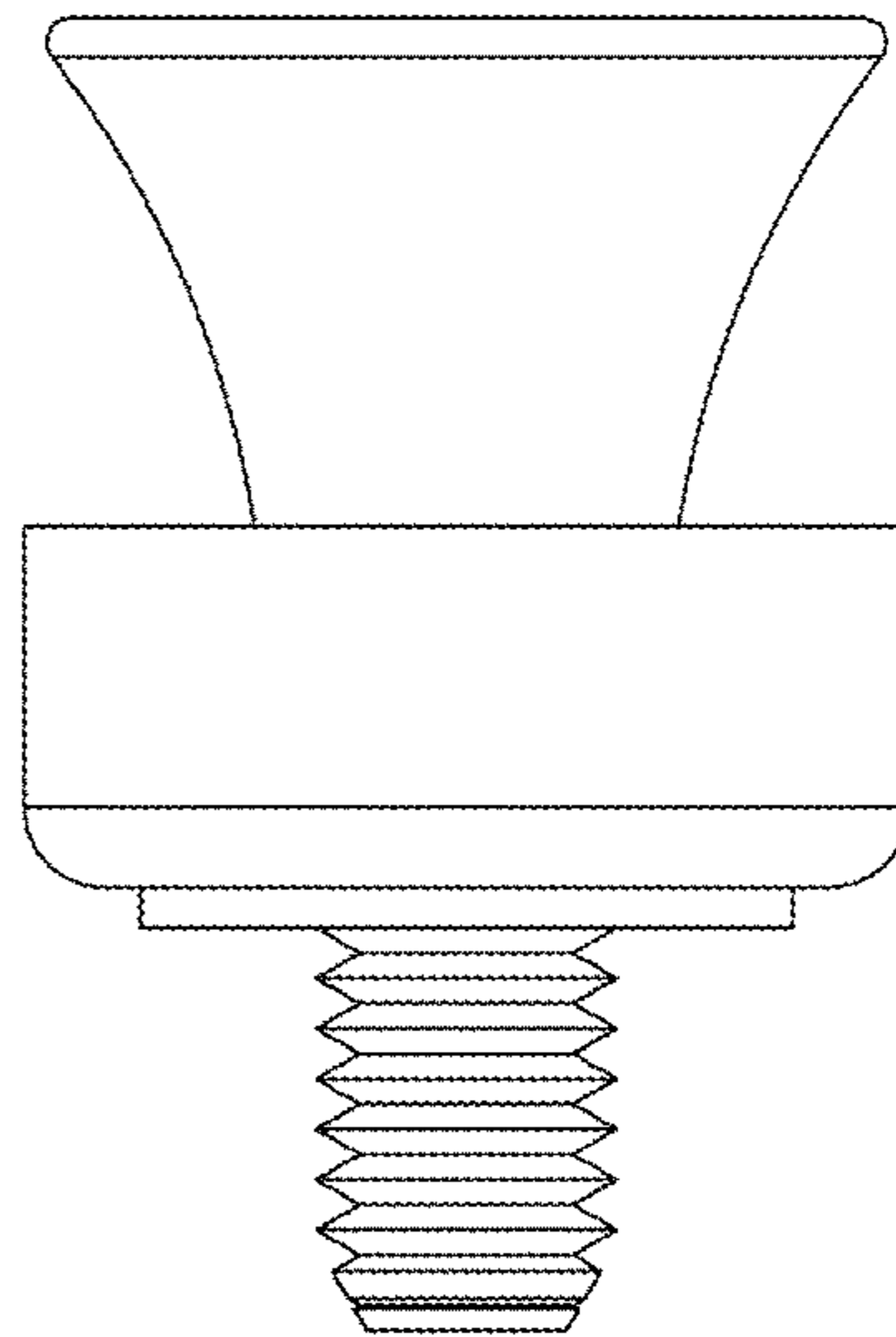


Figure 3

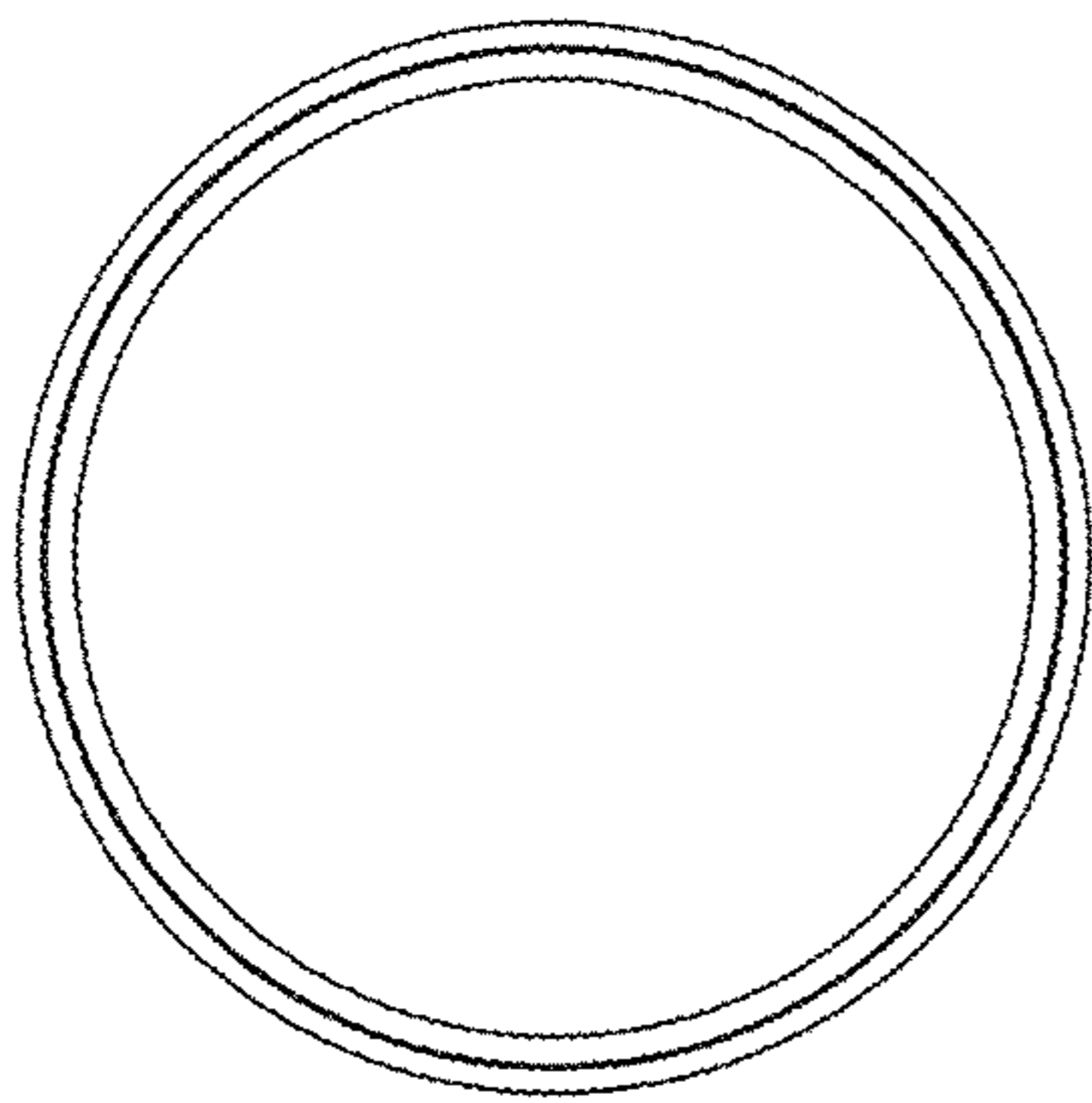


Figure 4

