



US00D859947S

(12) **United States Design Patent**
Kukucka et al.

(10) **Patent No.:** **US D859,947 S**
(45) **Date of Patent:** **** Sep. 17, 2019**

- (54) **BALL END SCREW BIT**
- (71) Applicant: **GRIP HOLDINGS LLC**, Brandon, FL (US)
- (72) Inventors: **Paul Kukucka**, Brandon, FL (US);
Thomas Stefan Kukucka, Brandon, FL (US)
- (73) Assignee: **GRIP HOLDINGS LLC**, Brandon, FL (US)
- (**) Term: **15 Years**
- (21) Appl. No.: **29/674,958**
- (22) Filed: **Dec. 27, 2018**

Related U.S. Application Data

- (63) Continuation-in-part of application No. 29/674,949, filed on Dec. 27, 2018, and a continuation-in-part of application No. 29/673,024, filed on Dec. 11, 2018, and a continuation-in-part of application No. 29/670,265, filed on Nov. 14, 2018, and a continuation-in-part of application No. 16/107,842, filed on Aug. 21, 2018, which is a continuation-in-part of application No. 15/601,864, filed on May 22, 2017.
- (51) **LOC (12) Cl.** **08-05**
- (52) **U.S. Cl.**
USPC **D8/29; D8/86**
- (58) **Field of Classification Search**
USPC D8/29; 81/60, 177.1, 177.85, 121.1, 81/124.3, 165-170, 110.1, 176.2, 124.6, 81/176.1, 176.15, 177.2, 186; 16/110.1
CPC B25B 13/06; B25B 13/065
See application file for complete search history.

(56) **References Cited**

U.S. PATENT DOCUMENTS

- D245,395 S * 8/1977 Cognevich 279/144
- D334,516 S * 4/1993 Tsunoda D8/29

- 6,332,382 B1 * 12/2001 Anderson B25B 15/001
81/125
- D616,280 S * 5/2010 Su D8/86
- 8,176,817 B2 * 5/2012 Liu B25B 23/0028
81/177.75
- D714,122 S * 9/2014 Lin D8/86
- D772,673 S * 11/2016 Chen D8/86
- D776,505 S 1/2017 Doroslovac
- D784,106 S 4/2017 Doroslovac
- 9,687,968 B2 6/2017 Doroslovac et al.

(Continued)

FOREIGN PATENT DOCUMENTS

WO WO2017187388 A1 11/2017

Primary Examiner — Randall H Gholson

(57) **CLAIM**

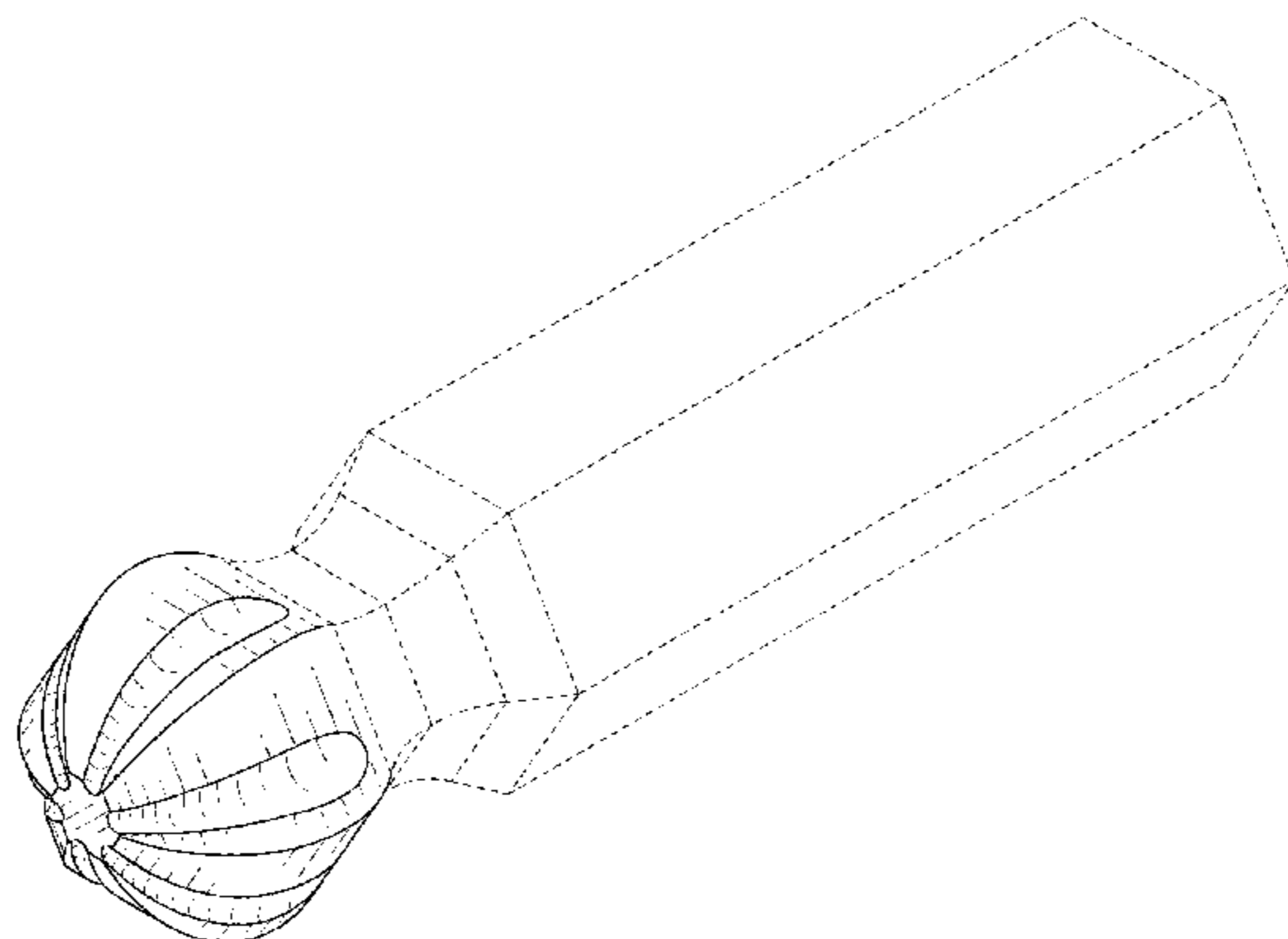
The ornamental design for a ball end screw bit, as shown and described.

DESCRIPTION

FIG. 1 is a perspective view of a ball end screw bit showing our new design;
 FIG. 2 is a front elevational view thereof;
 FIG. 3 is a front elevational view thereof, rotated 45 degrees from the position in FIG. 2;
 FIG. 4 is a front elevational view thereof, rotated 45 degrees from the position in FIG. 3;
 FIG. 5 is a front elevational view thereof, rotated 45 degrees from the position in FIG. 4;
 FIG. 6 is a top plan view thereof;
 FIG. 7 is a perspective view thereof, showing a counterclockwise embodiment; and,
 FIG. 8 is a top plan view thereof showing a counterclockwise embodiment.

The broken line showing of the tool body in FIGS. 1-8 are included for the purpose of showing environmental structure and form no part of the claimed design.

1 Claim, 8 Drawing Sheets



(56)

References Cited

U.S. PATENT DOCUMENTS

D794,405 S	8/2017	Doroslovac et al.	
D794,409 S *	8/2017	Anderson	D8/70
D798,682 S	10/2017	Doroslovac et al.	
D809,377 S *	2/2018	Su	D8/397
D829,069 S	9/2018	Doroslovac et al.	
10,081,094 B2	9/2018	Doroslovac et al.	
2017/0252905 A1	9/2017	Doroslovac et al.	

* cited by examiner

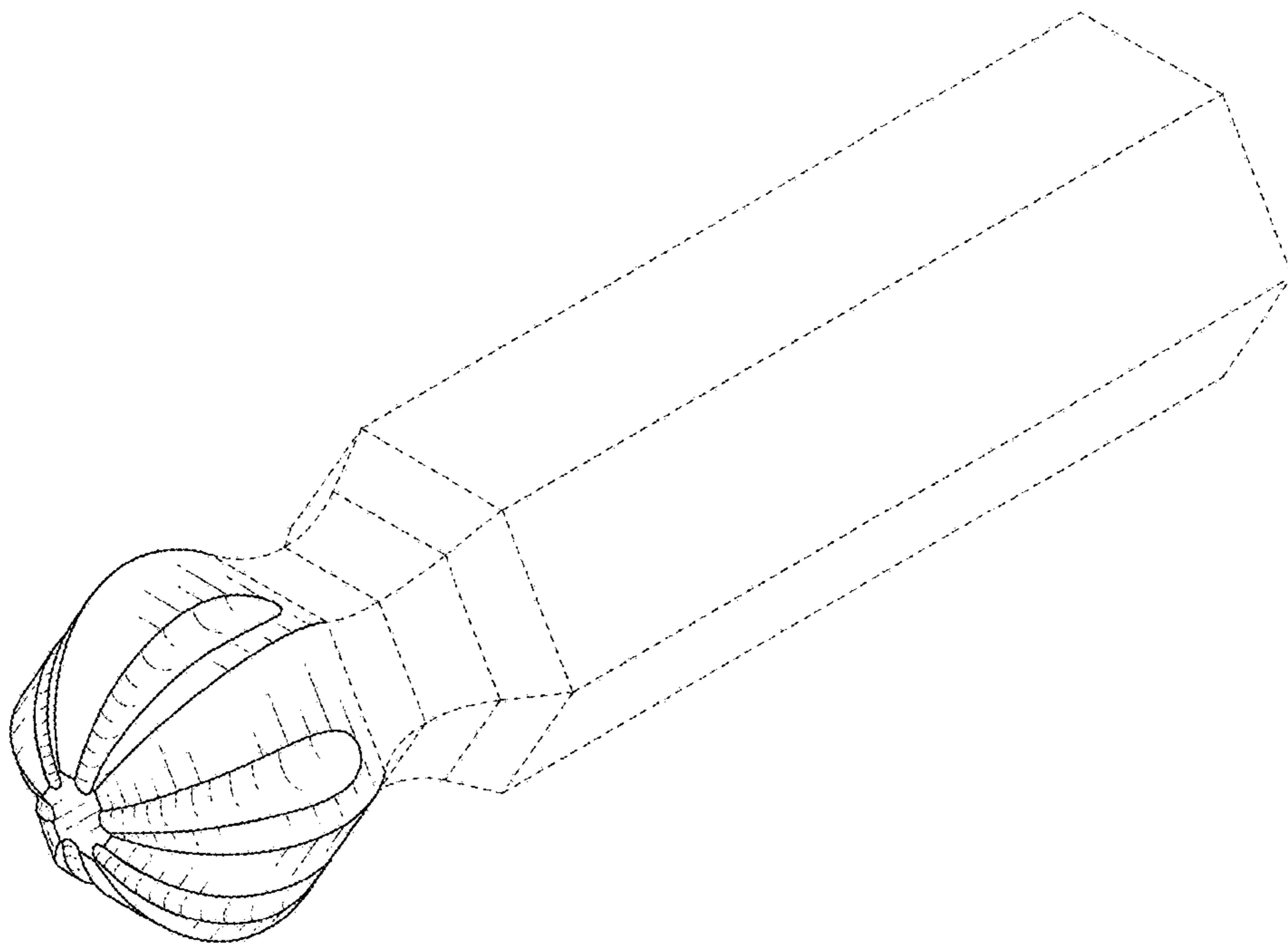


FIG. 1

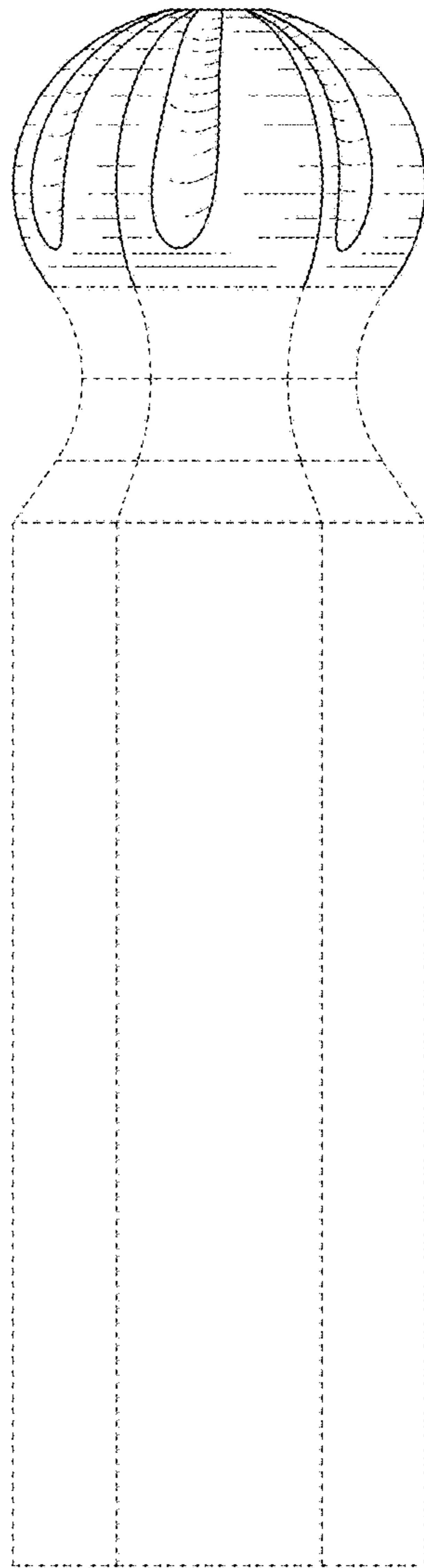


FIG. 2

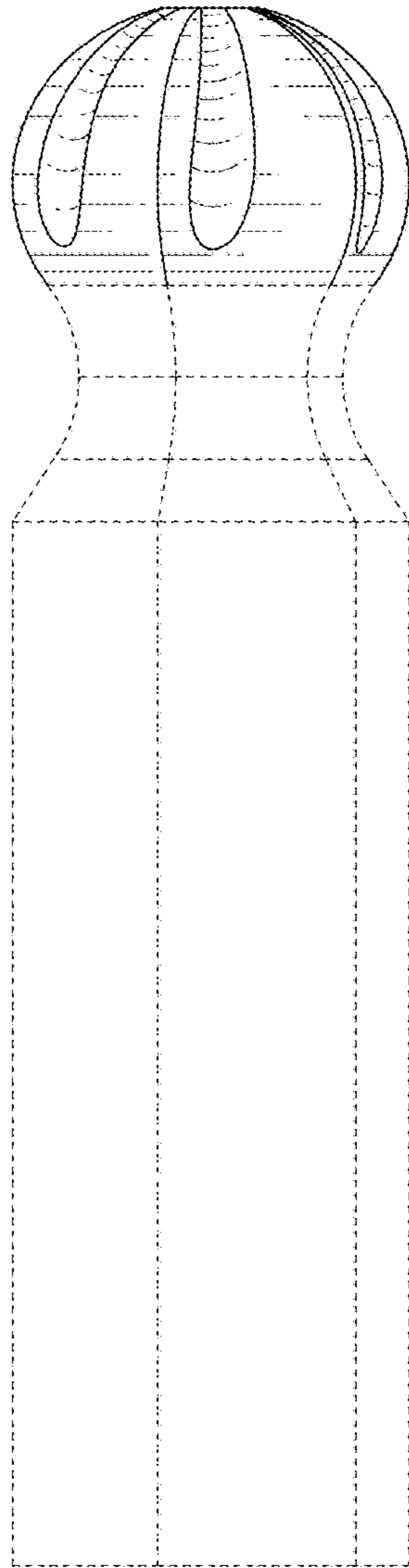


FIG. 3

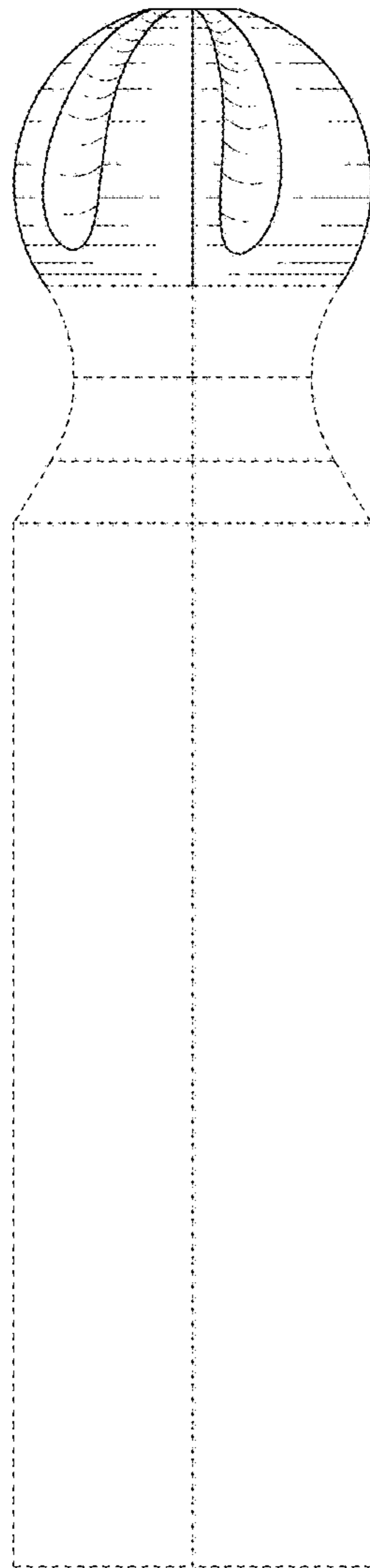


FIG. 4

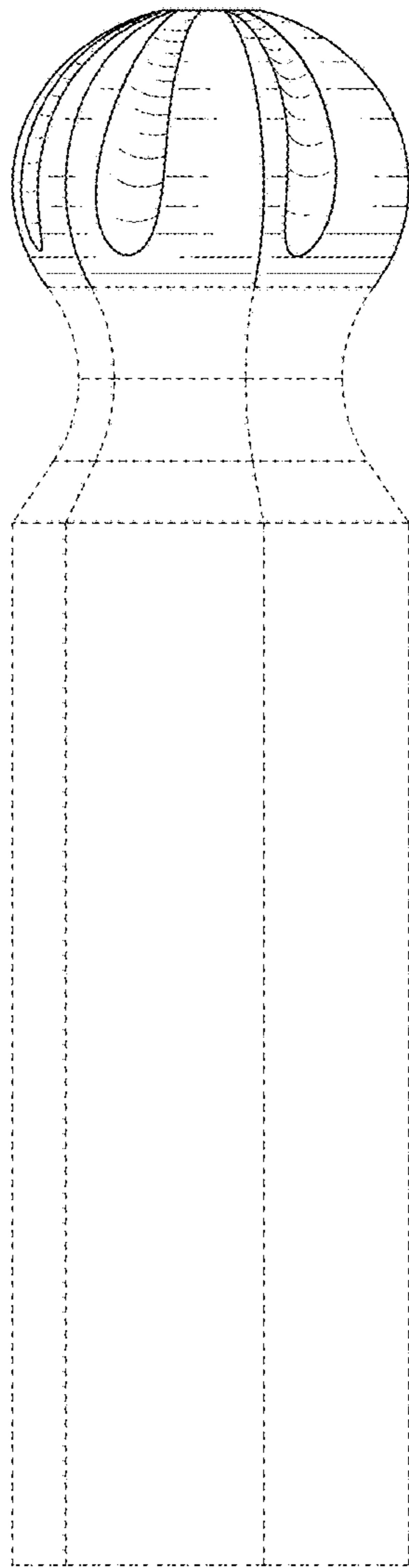


FIG. 5

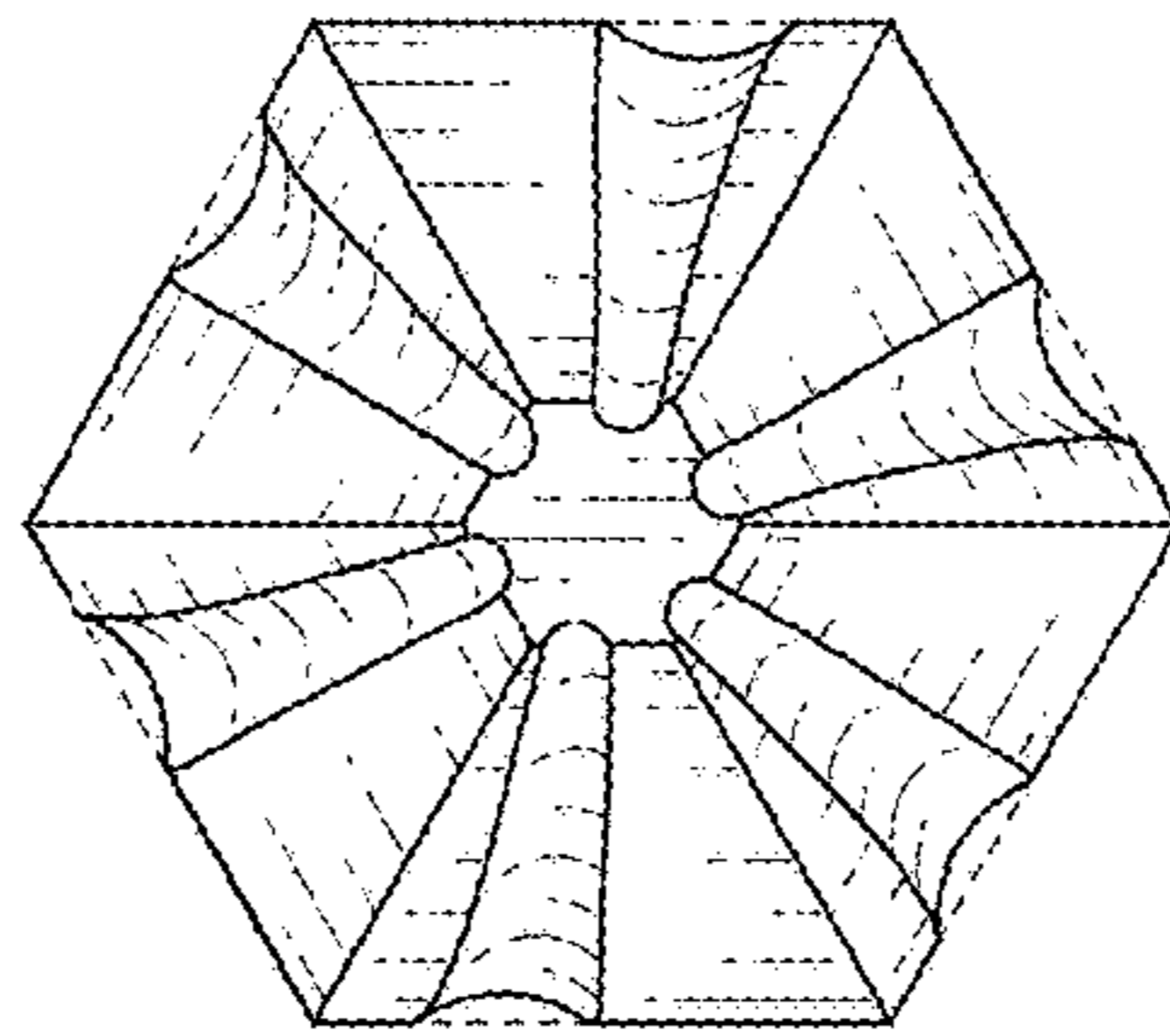


FIG. 6

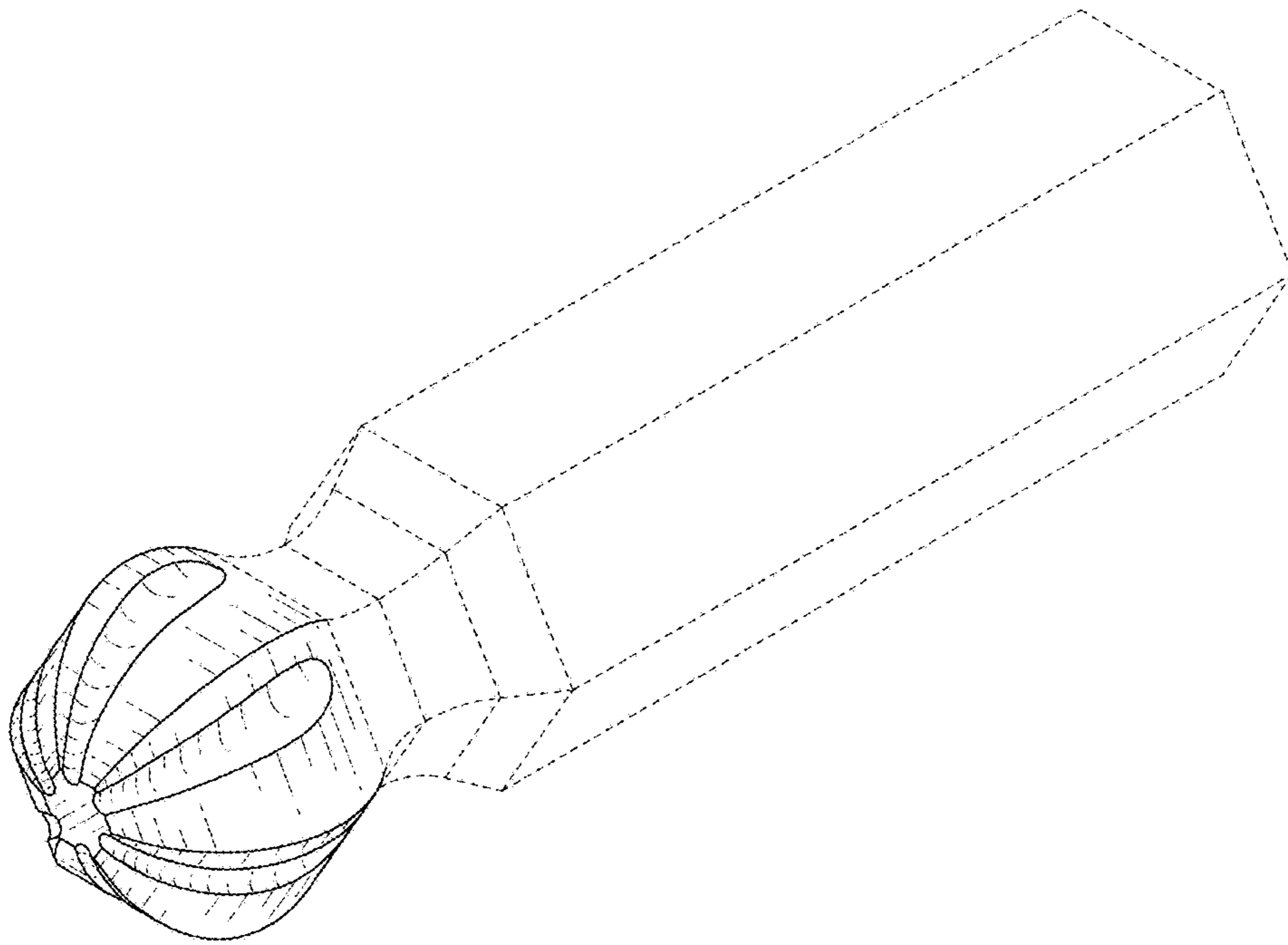


FIG. 7

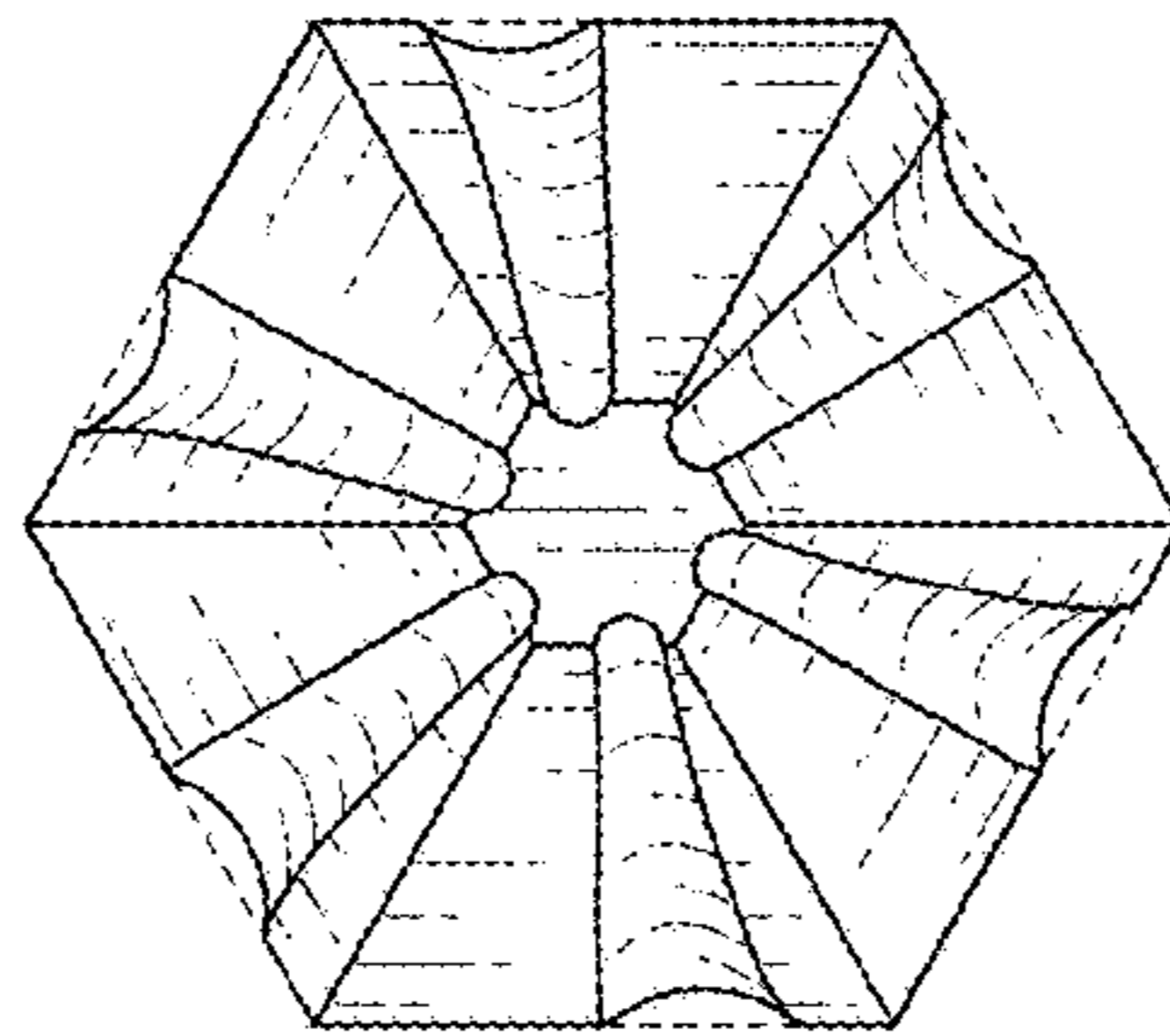


FIG. 8