



US00D859942S

(12) **United States Design Patent**
Lopez

(10) **Patent No.:** **US D859,942 S**

(45) **Date of Patent:** **** Sep. 17, 2019**

(54) **TORQUE ADAPTER**

(71) Applicant: **Manelsa Inc.**, Tampa, FL (US)

(72) Inventor: **Luis Lopez**, Tampa, FL (US)

(73) Assignee: **Manelsa Inc.**, Tampa, FL (US)

(**) Term: **15 Years**

(21) Appl. No.: **29/656,661**

(22) Filed: **Jul. 15, 2018**

(51) **LOC (12) Cl.** **08-05**

(52) **U.S. Cl.**
USPC **D8/25**

(58) **Field of Classification Search**

USPC 81/58, 58.1, 59.1, 60, 61, 62, 63, 63.1,
81/63.2, 121.1, 125, 177.1, 177.2, 177.85,
81/180.1, 489; D8/25

CPC B25B 13/00; B25B 13/48; B25B 23/02;
B25B 23/10; B25G 1/10; B25G 1/00

See application file for complete search history.

(56) **References Cited**

U.S. PATENT DOCUMENTS

3,312,260 A * 4/1967 MacNeill B25B 23/0035
81/124.6

9,463,557 B2 10/2016 Seith et al.

9,469,017 B2 10/2016 Seith et al.
D777,001 S * 1/2017 Huang D8/25
D826,014 S * 8/2018 Stalter D8/21
2017/0028537 A1 2/2017 McClung et al.

* cited by examiner

Primary Examiner — Randall H Gholson

(57) **CLAIM**

The ornamental design for a torque adapter, as shown and described.

DESCRIPTION

FIG. 1 is a top perspective view of the claimed design for a torque adapter;

FIG. 2 is a front view thereof;

FIG. 3 is a rear view thereof;

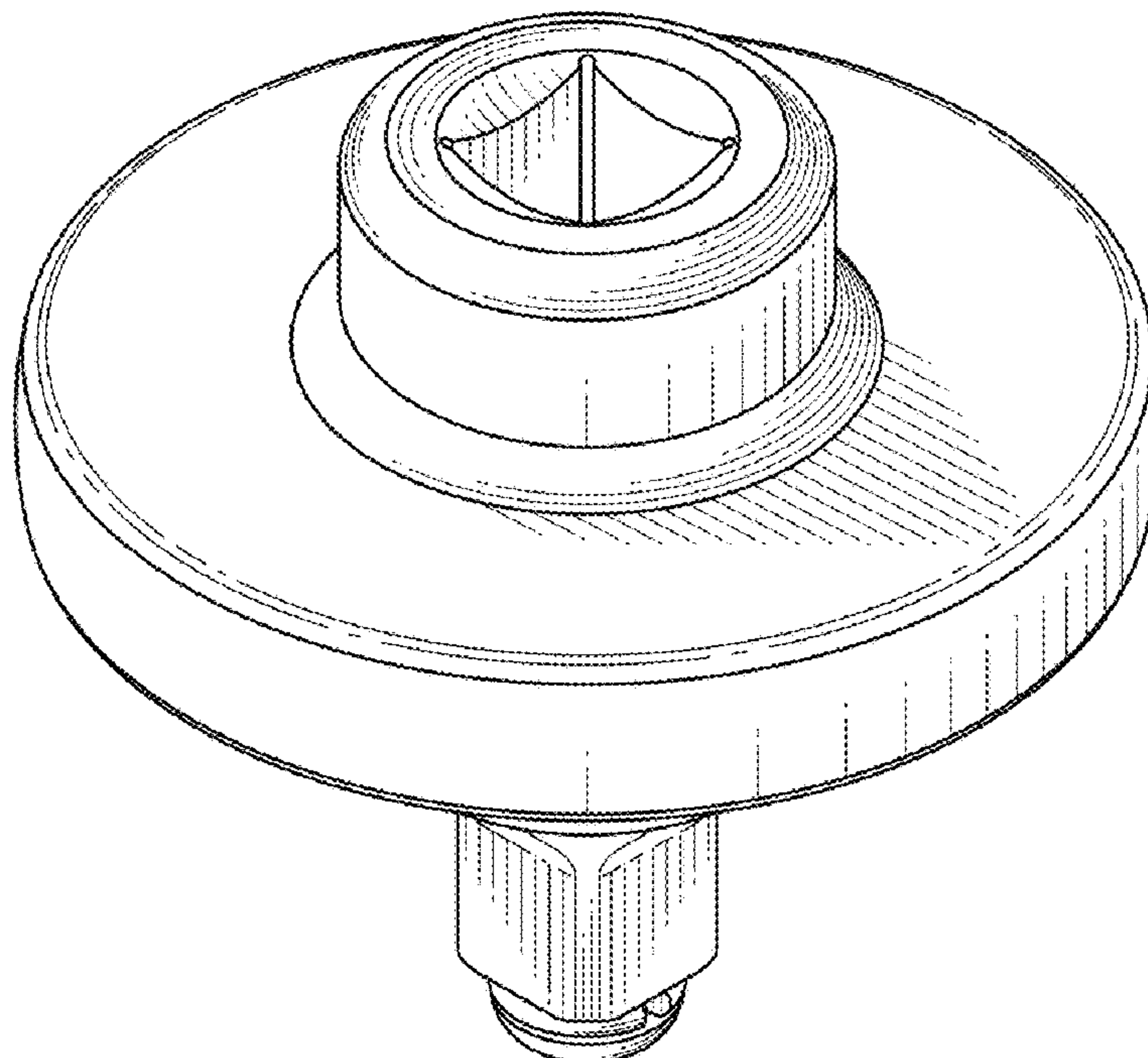
FIG. 4 is a right side view thereof;

FIG. 5 is a left side view thereof;

FIG. 6 is a top view thereof; and,

FIG. 7 is a bottom view thereof.

1 Claim, 4 Drawing Sheets



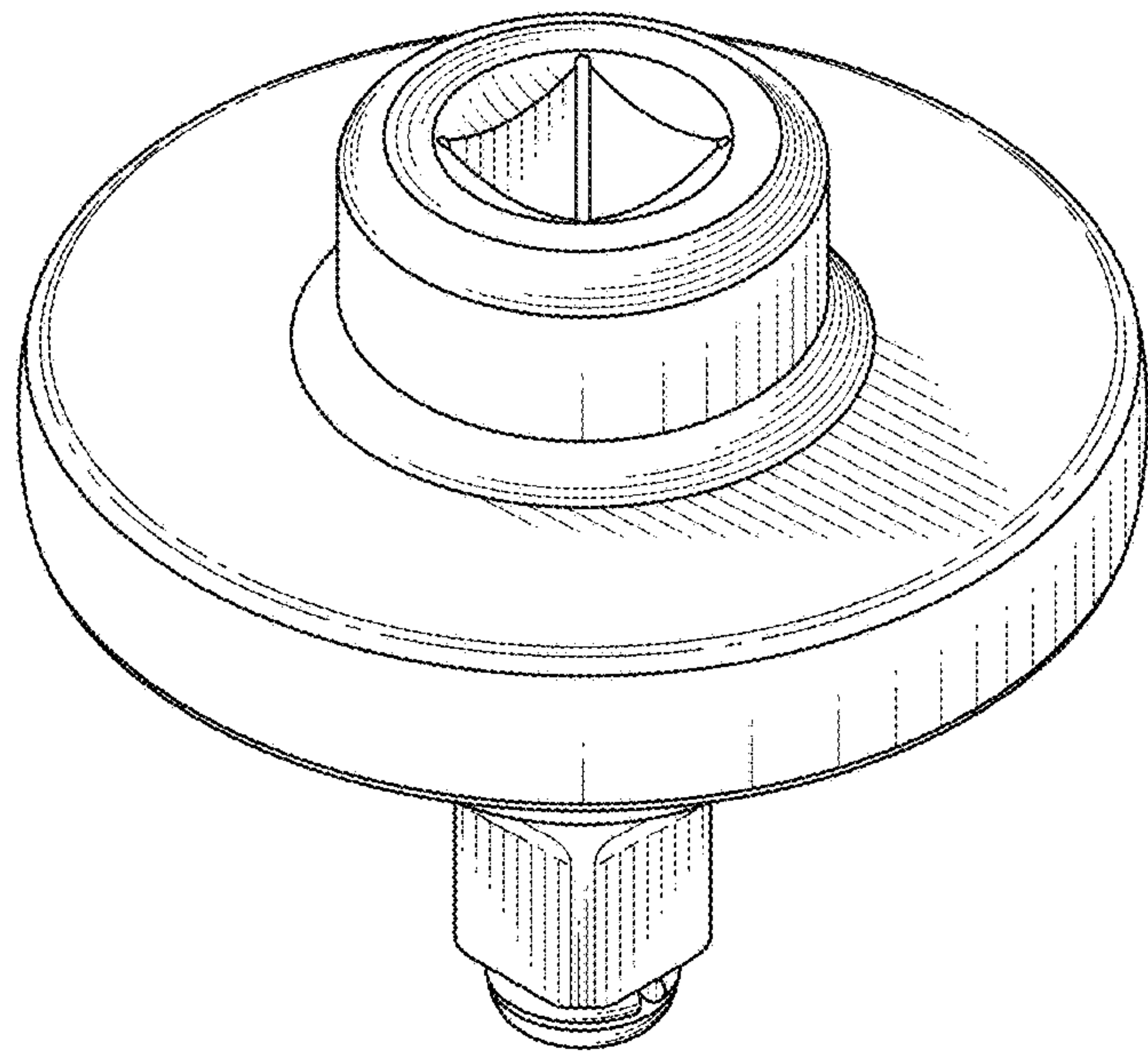


FIG. 1

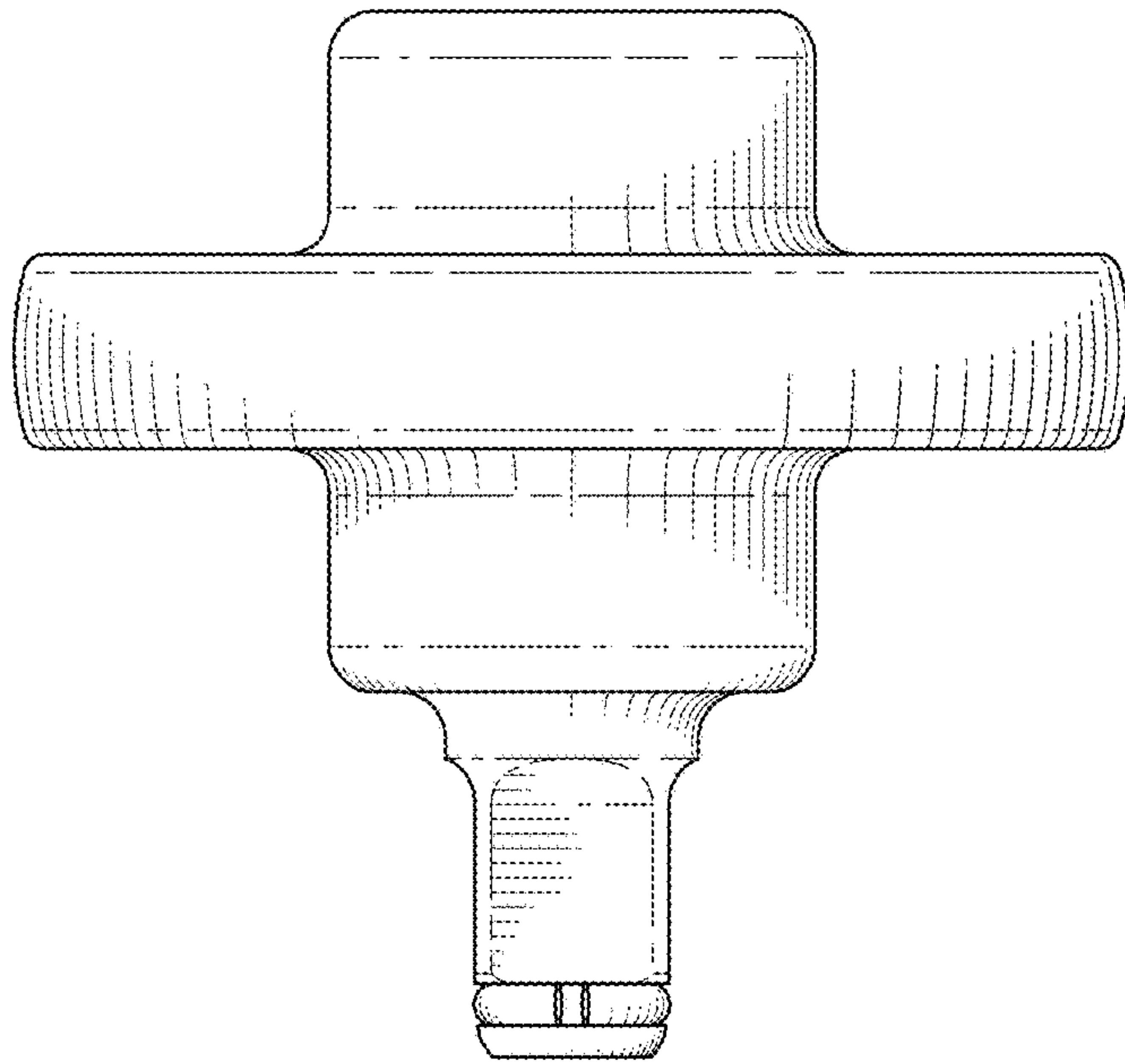


FIG. 2

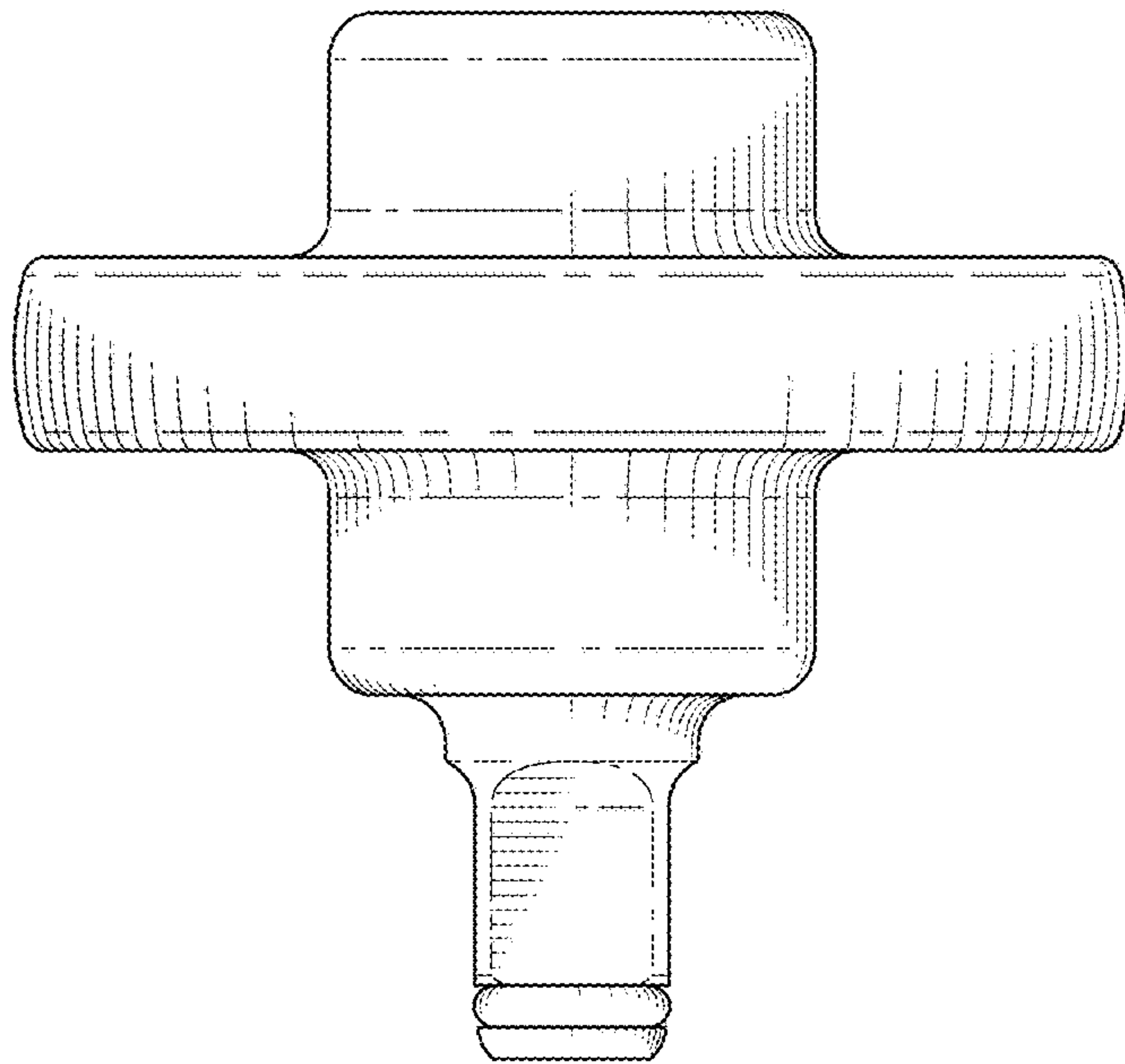


FIG. 3

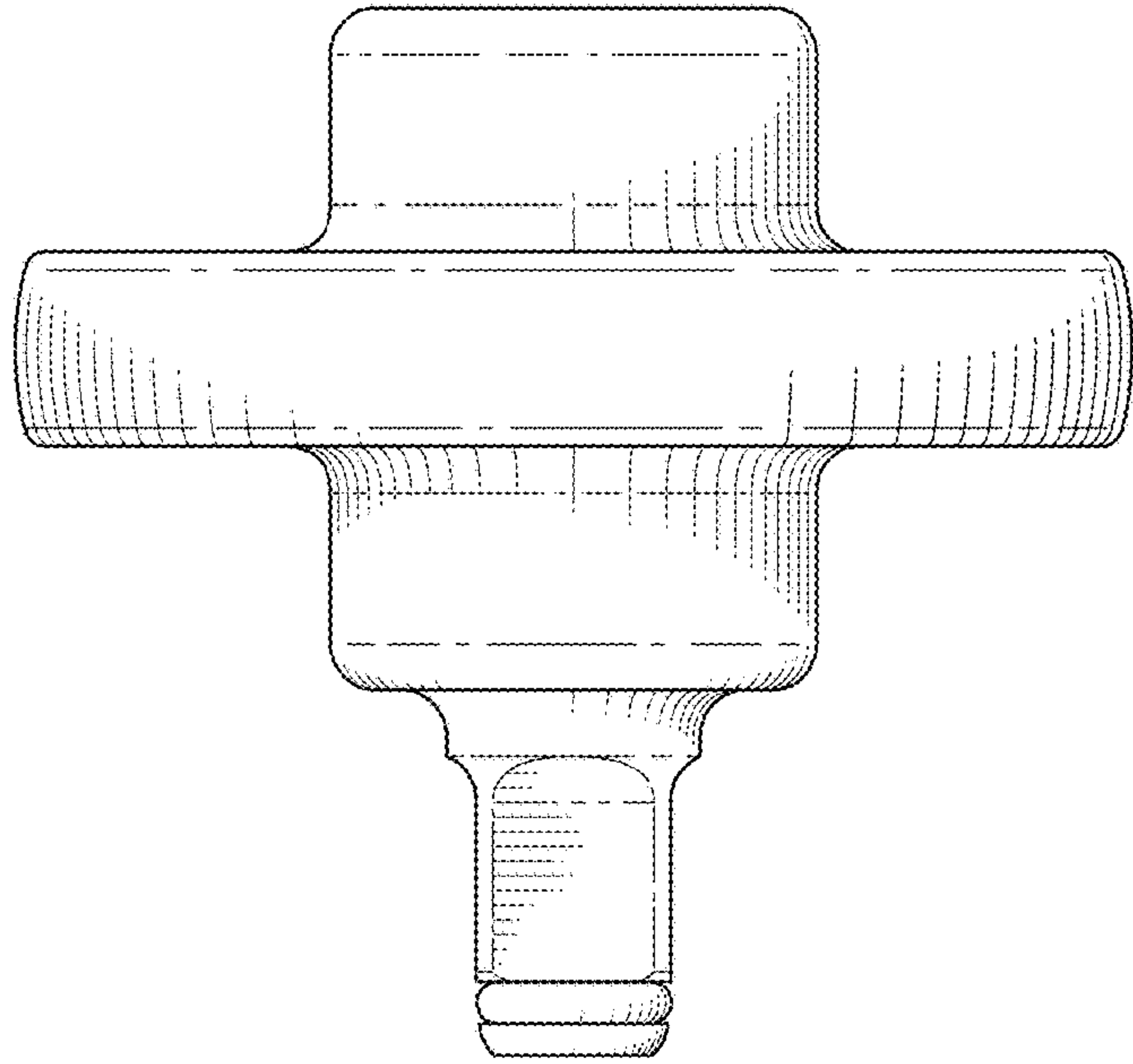


FIG. 4

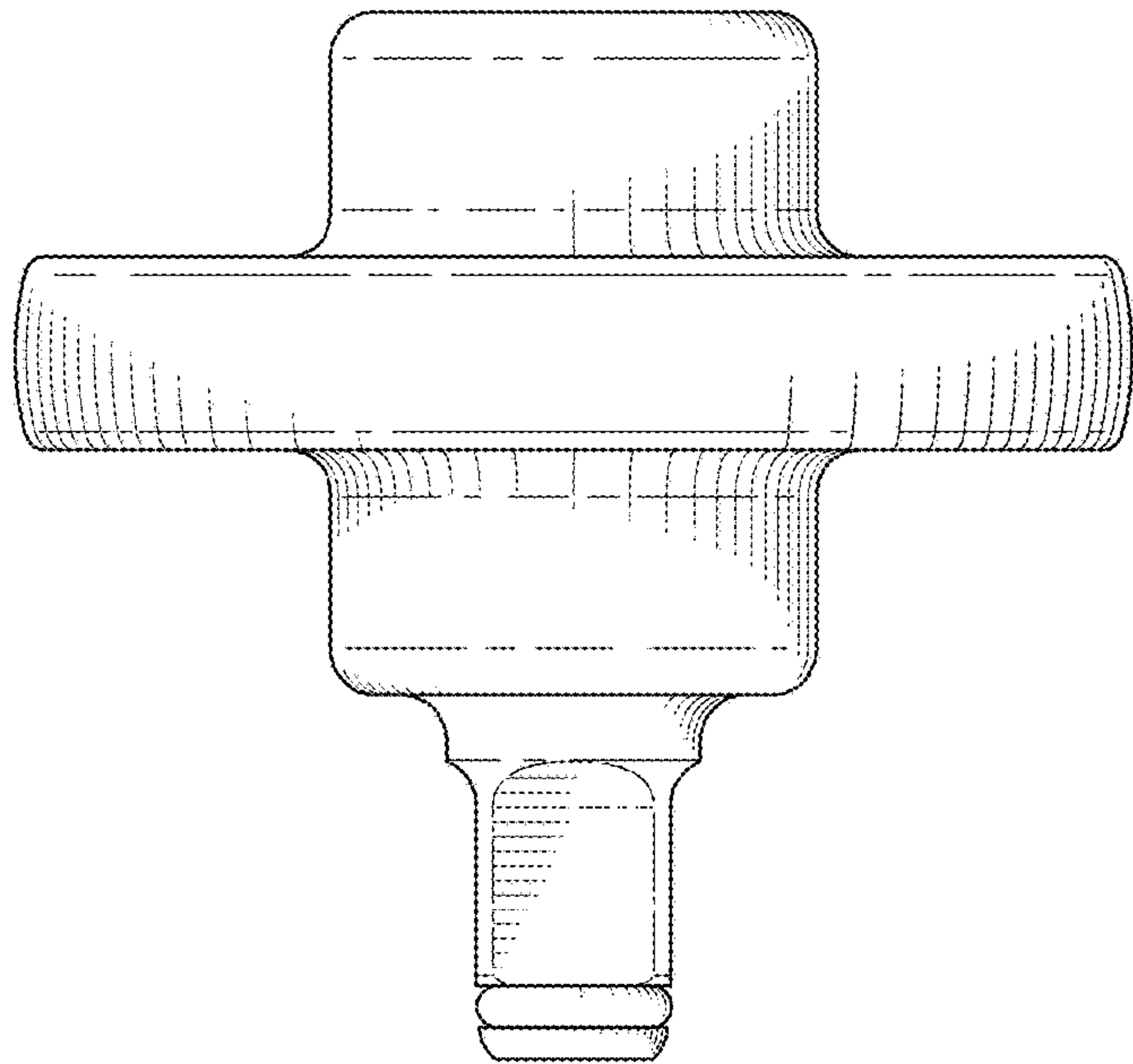


FIG. 5

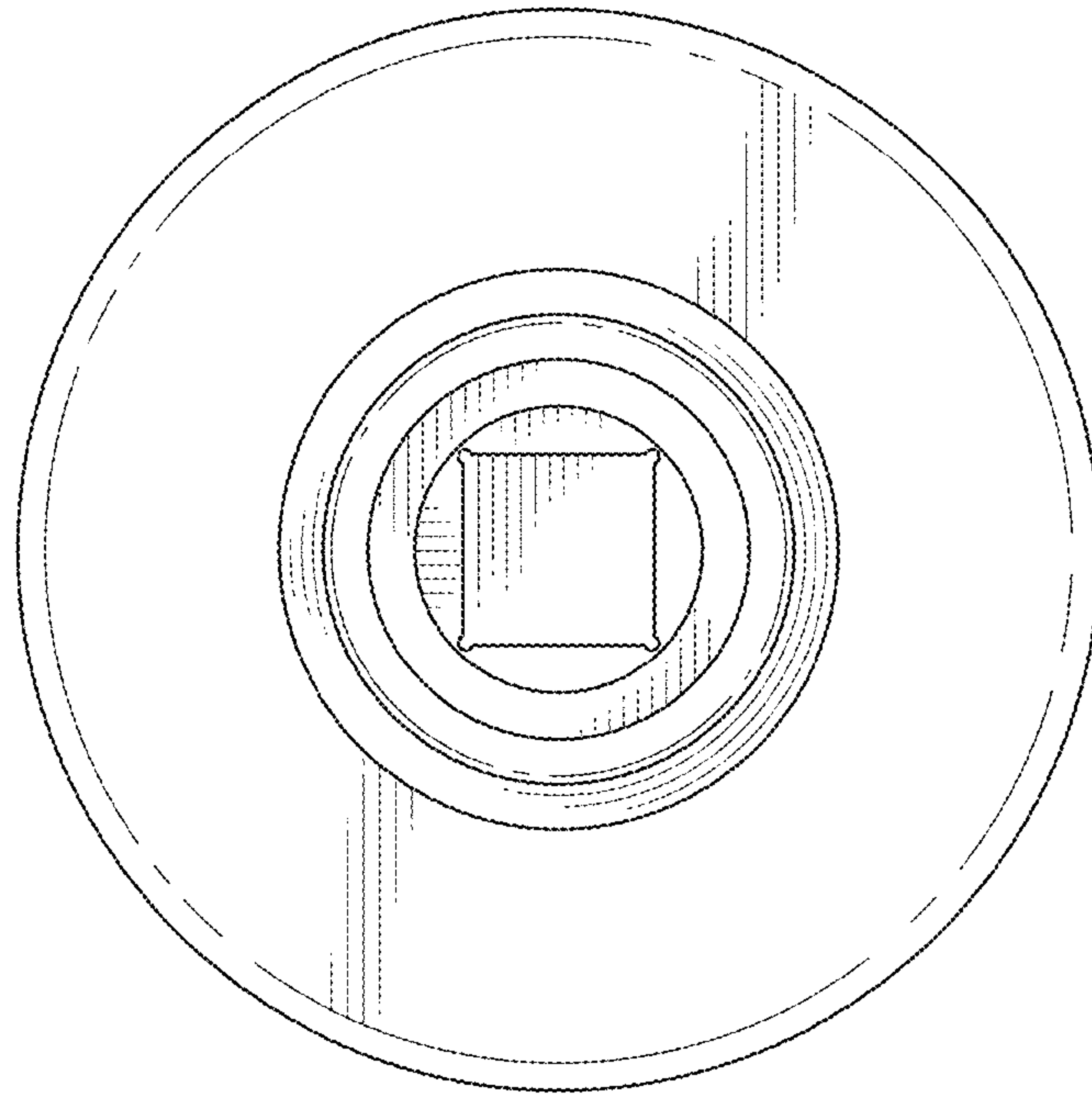


FIG. 6

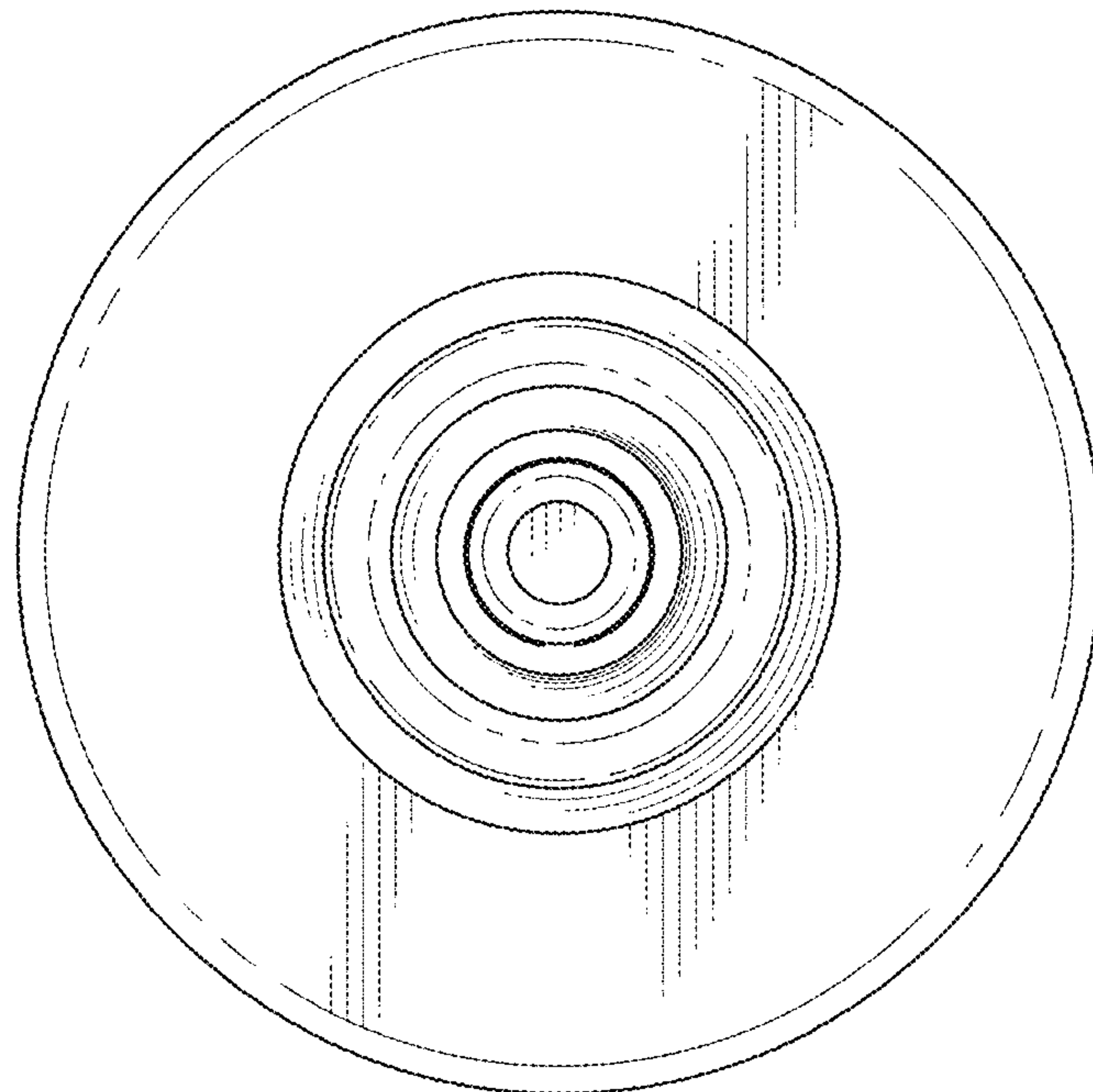


FIG. 7