



US00D859939S

(12) **United States Design Patent**
Eich

(10) **Patent No.:** **US D859,939 S**

(45) **Date of Patent:** **** Sep. 17, 2019**

(54) **SPICE MILL**

(71) Applicant: **Michael Eich**, Troinex (CH)

(72) Inventor: **Michael Eich**, Troinex (CH)

(**) Term: **15 Years**

(21) Appl. No.: **35/505,316**

(22) Filed: **Jun. 21, 2018**

(80) **Hague Agreement Data**

Int. Filing Date: **Jun. 21, 2018**

Int. Reg. No.: **DM/101863**

Int. Reg. Date: **Jun. 21, 2018**

Int. Reg. Pub. Date: **Jul. 20, 2018**

(51) **LOC (12) Cl.** **07-04**

(52) **U.S. Cl.**
USPC **D7/679**

(58) **Field of Classification Search**
USPC D7/679, 590-600, 372-374, 401.1
CPC .. A47J 42/04; A47J 43/40; A47J 42/14; A47J
42/34; A47J 43/04; B65D 47/0814
See application file for complete search history.

(56) **References Cited**

U.S. PATENT DOCUMENTS

D257,205 S *	10/1980	Bounds	D7/596
D382,167 S *	8/1997	Husted	D7/679
D467,773 S *	12/2002	Wright	D7/679
D531,043 S *	10/2006	Houtart	D9/560
D570,651 S *	6/2008	Lin	D7/679
D590,720 S *	4/2009	Oates	D9/560
D626,385 S *	11/2010	Mixdorf	D7/680
D639,669 S *	6/2011	Adler	D9/435
D699,507 S *	2/2014	Schmidt	D7/381
D824,223 S *	7/2018	Zoske	D7/679

* cited by examiner

Primary Examiner — Michael A. Pratt

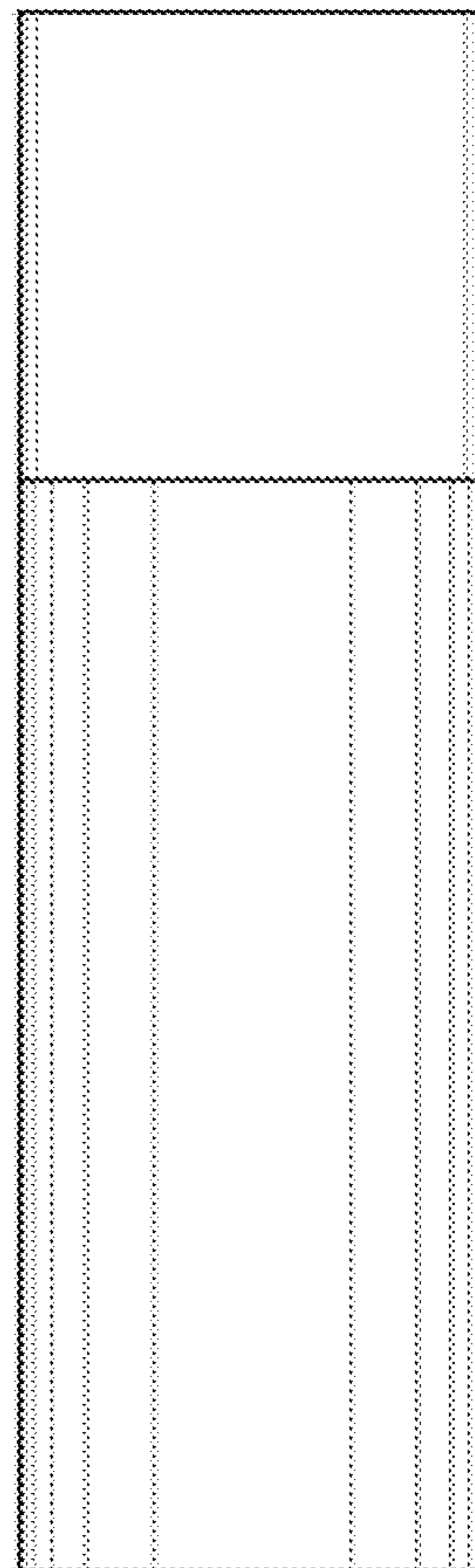
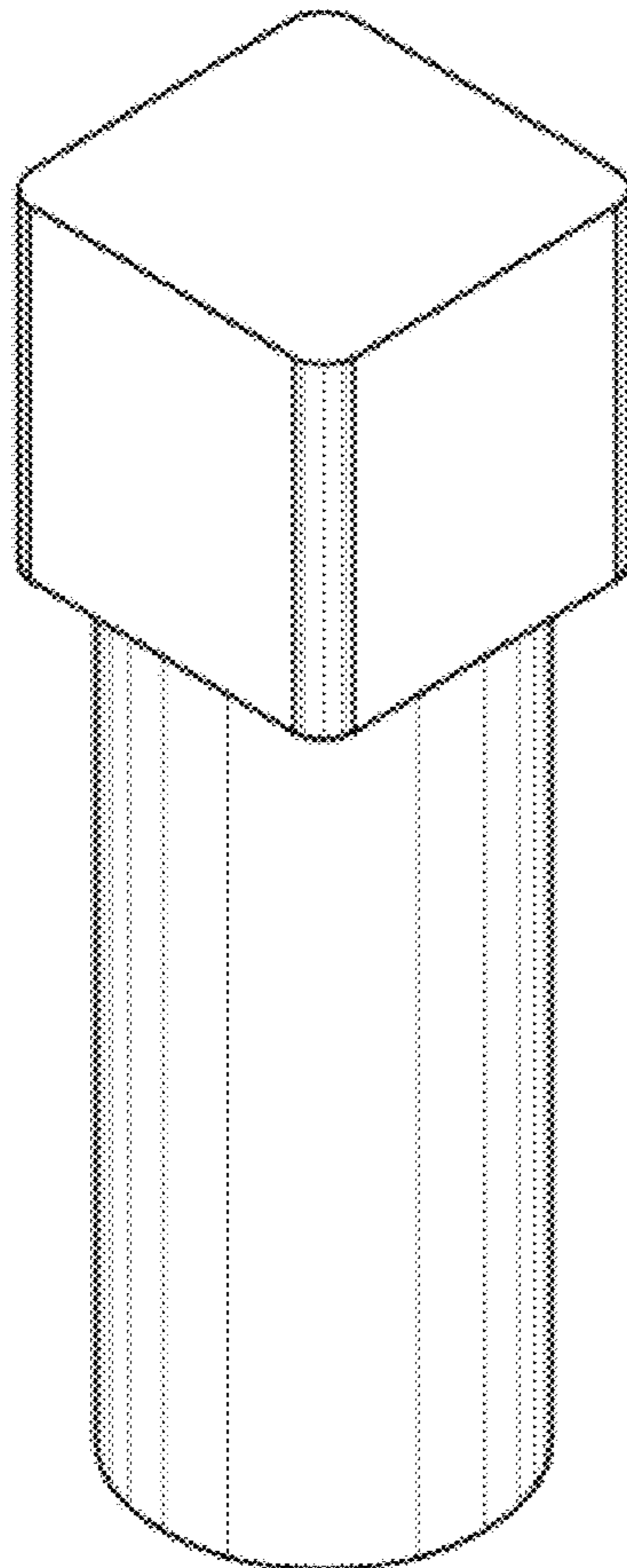
(57) **CLAIM**

The ornamental design for a spice mill, as shown and described.

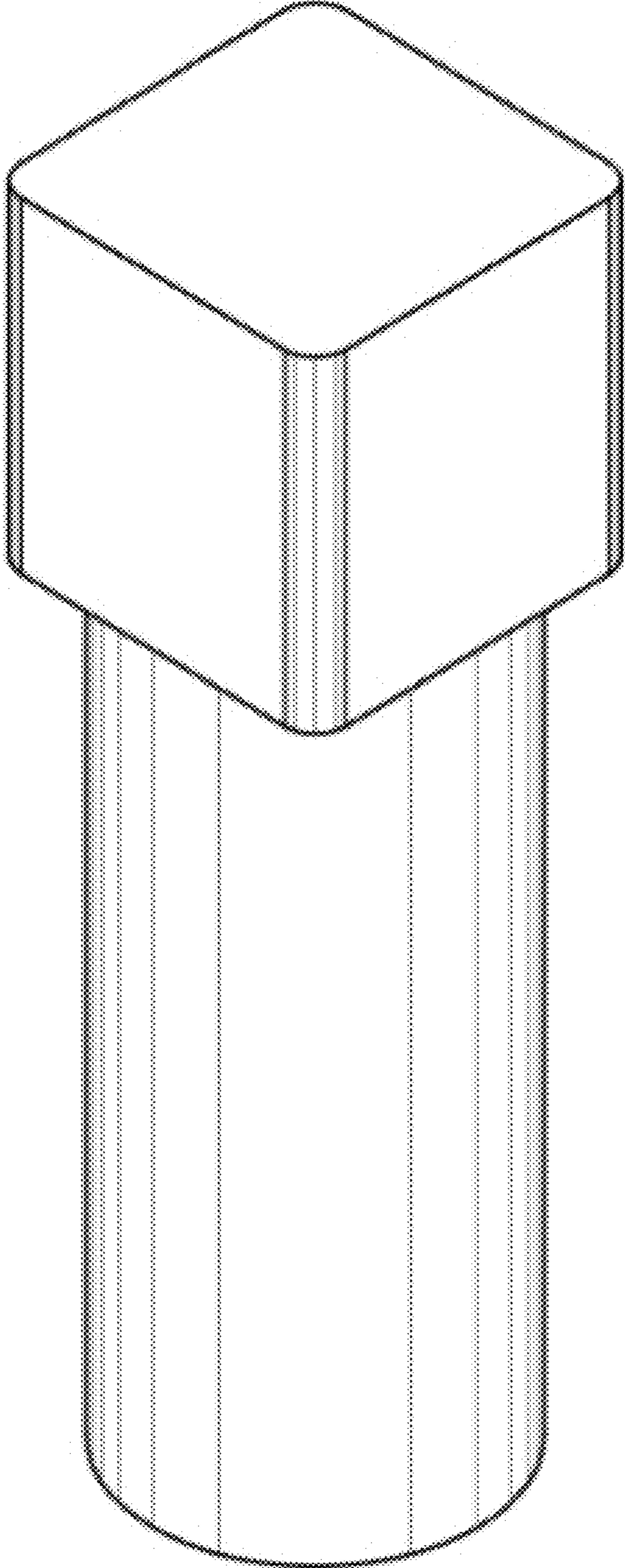
DESCRIPTION

- 1. Spice mill
- 1.1 : Perspective
- 1.2 : Front
- 1.3 : Top
- 1.4 : Bottom

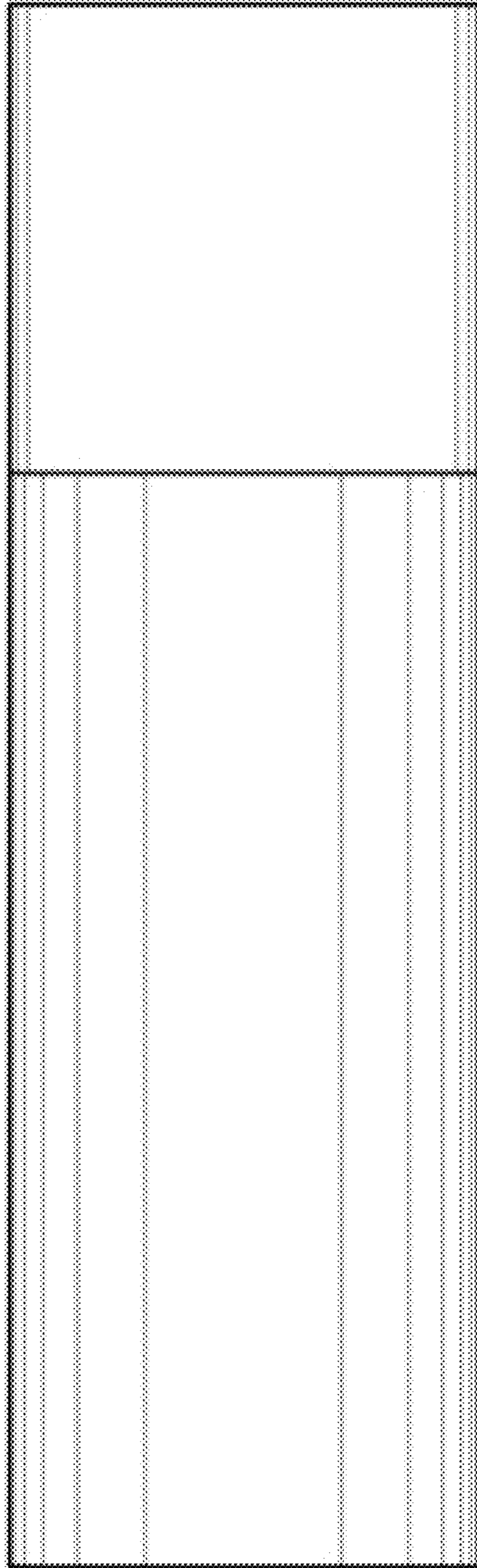
1 Claim, 4 Drawing Sheets



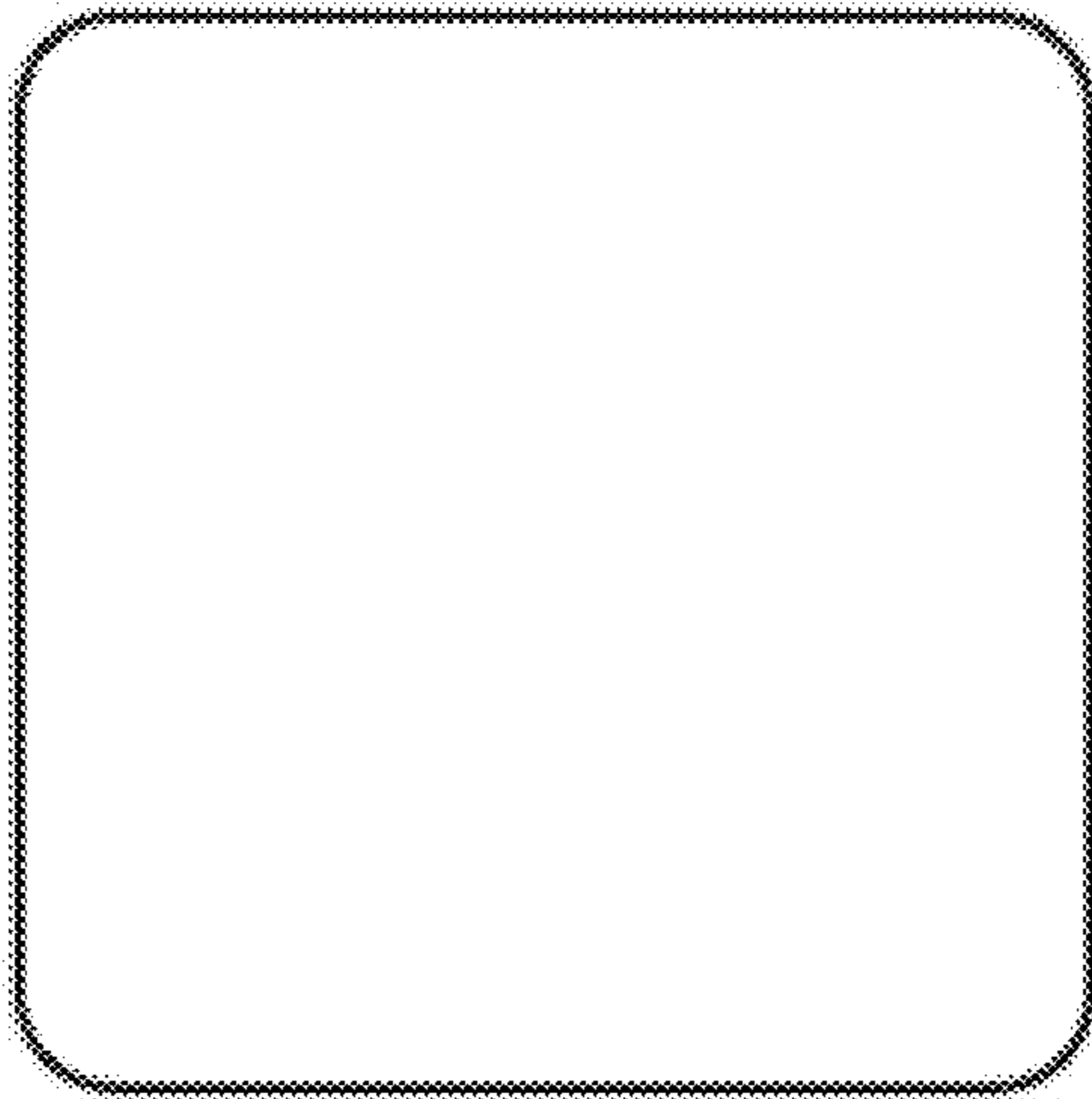
1.1



1.2



1.3



1.4

