

US00D859938S

(12) **United States Design Patent** (10) **Patent No.:** **US D859,938 S**
Yu (45) **Date of Patent:** **** Sep. 17, 2019**

(54) **COMBINED FRUIT AND VEGETABLE JUICE EXTRACTOR** 2013/0255511 A1* 10/2013 Steiner A47J 19/027 99/513

(71) Applicant: **HongYa Yu**, Cixi (CN)

* cited by examiner

(72) Inventor: **HongYa Yu**, Cixi (CN)

Primary Examiner — Terry A Wallace

(**) Term: **15 Years**

(21) Appl. No.: **29/650,590**

(57) **CLAIM**

(22) Filed: **Jun. 7, 2018**

The ornamental design for combined fruit and vegetable juice extractor, as shown and described.

(51) **LOC (12) Cl.** **31-00**

(52) **U.S. Cl.**
USPC **D7/665; D7/378; D7/384**

(58) **Field of Classification Search**
USPC D7/665, 666, 378, 370, 384, 386, 412
CPC A47J 19/02; A47J 19/027; A47J 19/022;
A47J 43/0727; A47J 43/0794; A47J
43/042; A47J 43/046; A47J 2043/04454;
A23N 1/02; A23N 1/003
See application file for complete search history.

DESCRIPTION

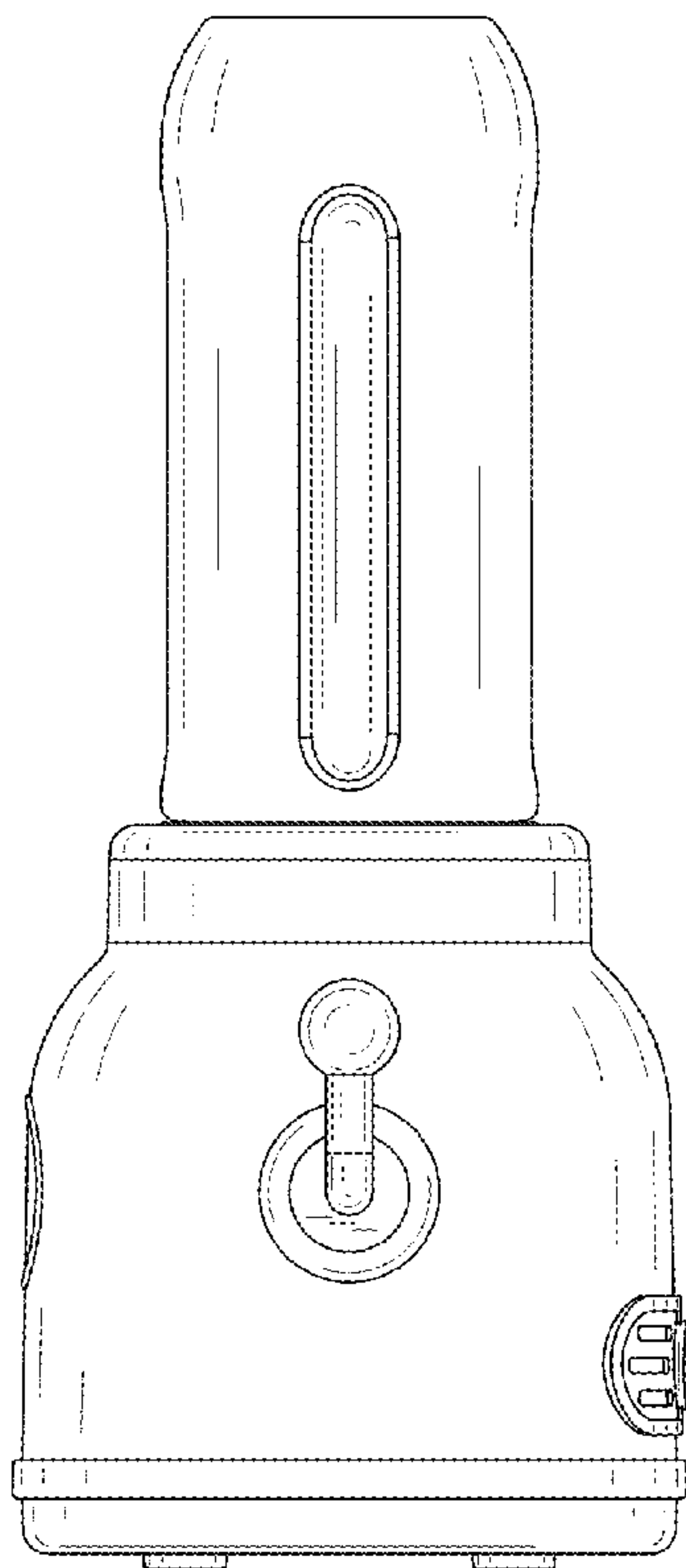
FIG. 1 is a front view of the combined fruit and vegetable juice extractor showing my new design;
FIG. 2 is a back view thereof;
FIG. 3 is a left side view thereof;
FIG. 4 is a right side view thereof;
FIG. 5 is a top view thereof;
FIG. 6 is a bottom view thereof;
FIG. 7 is a perspective view thereof; and,
FIG. 8 is another perspective view thereof.

(56) **References Cited**

U.S. PATENT DOCUMENTS

D641,214 S * 7/2011 Choi D7/665
D734,646 S * 7/2015 Steiner D7/665

1 Claim, 7 Drawing Sheets



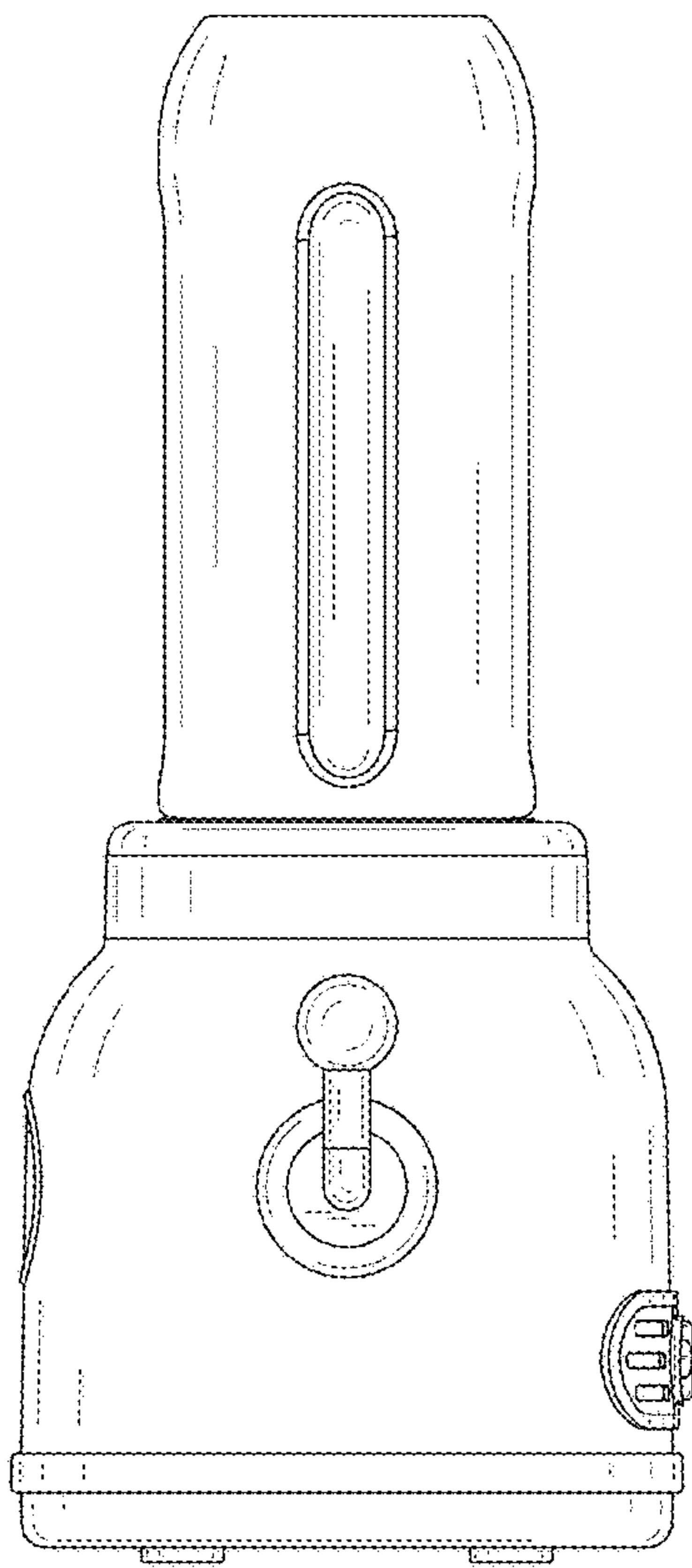


Fig.1

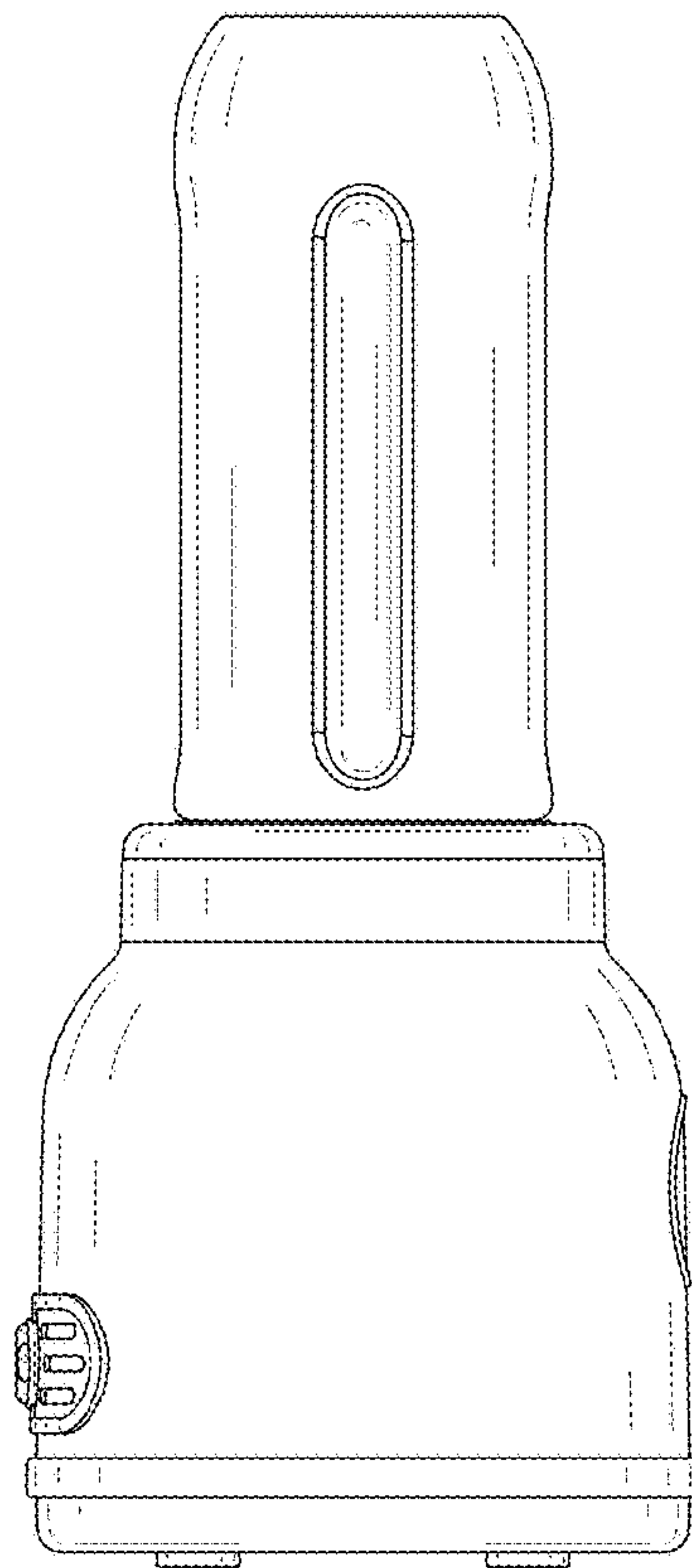


Fig.2

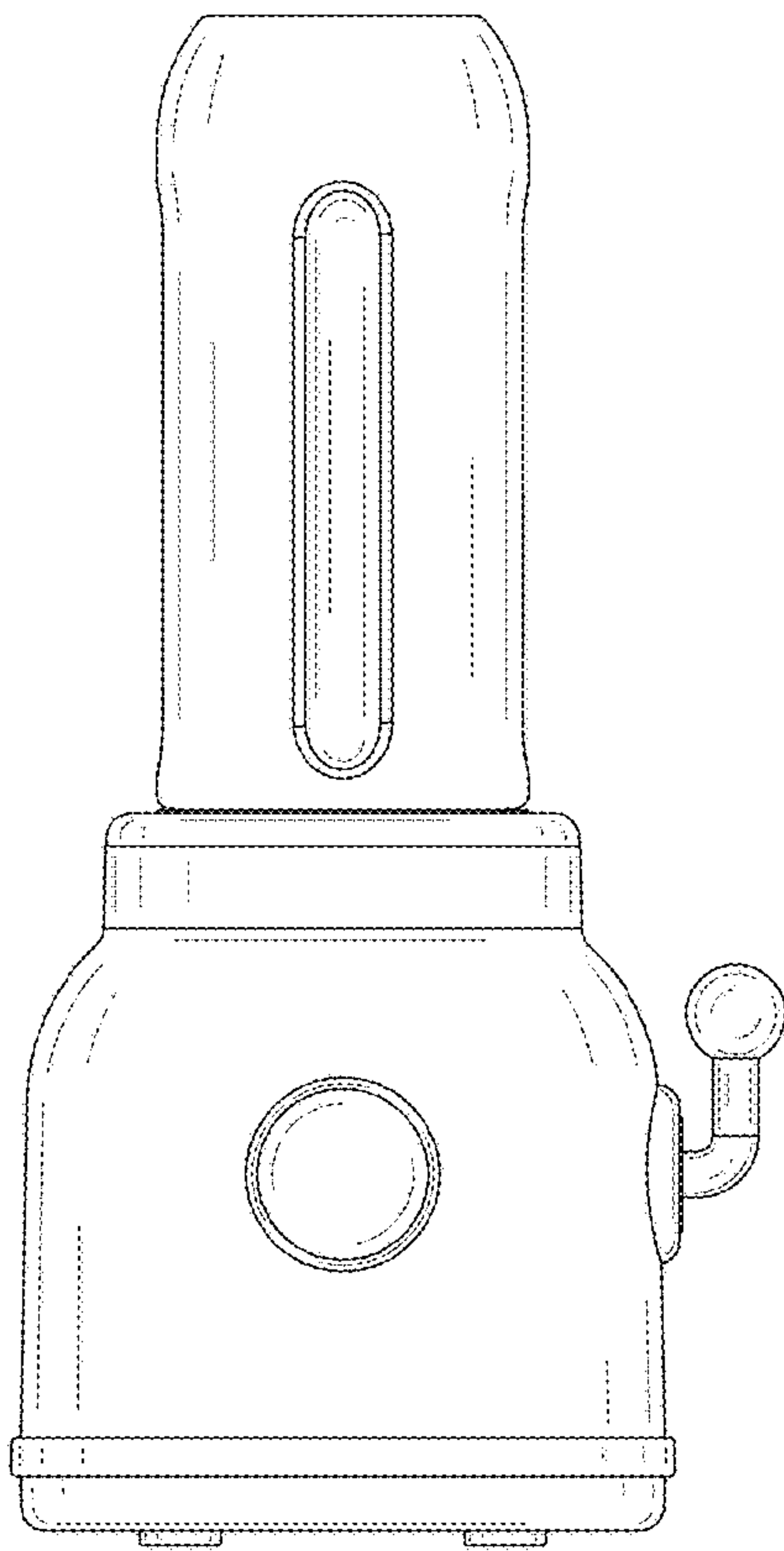


Fig3

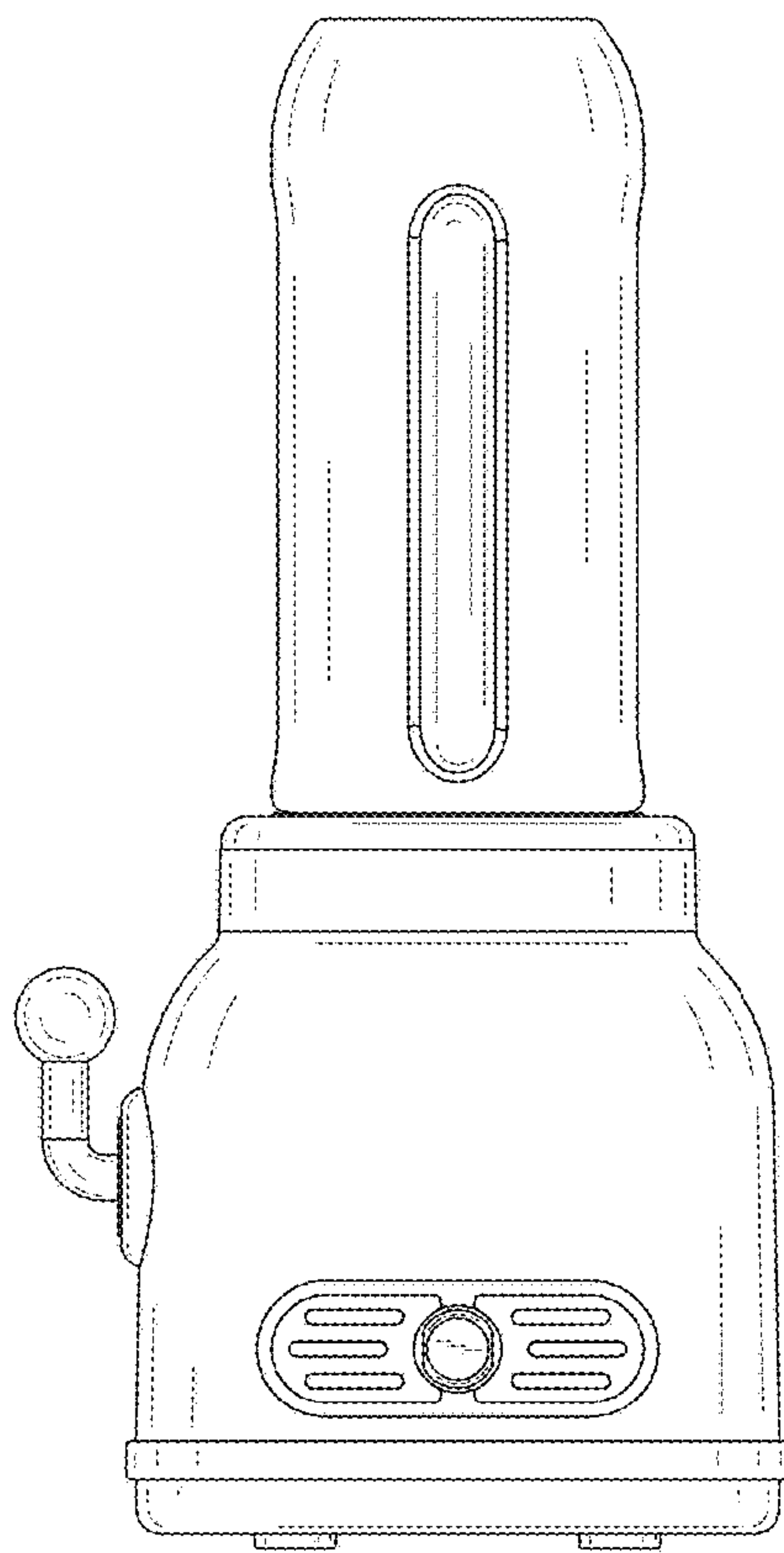


Fig.4

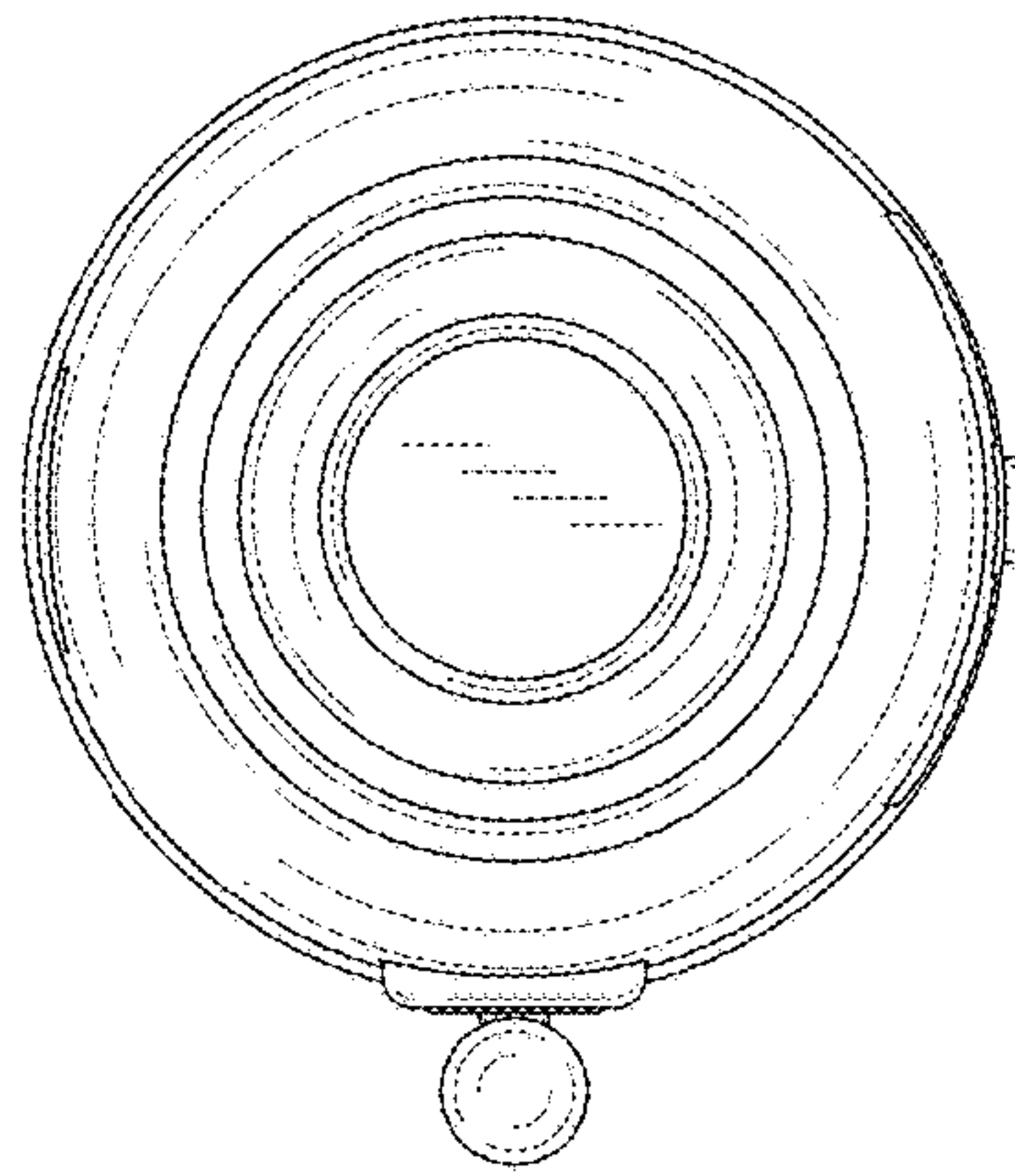


Fig.5

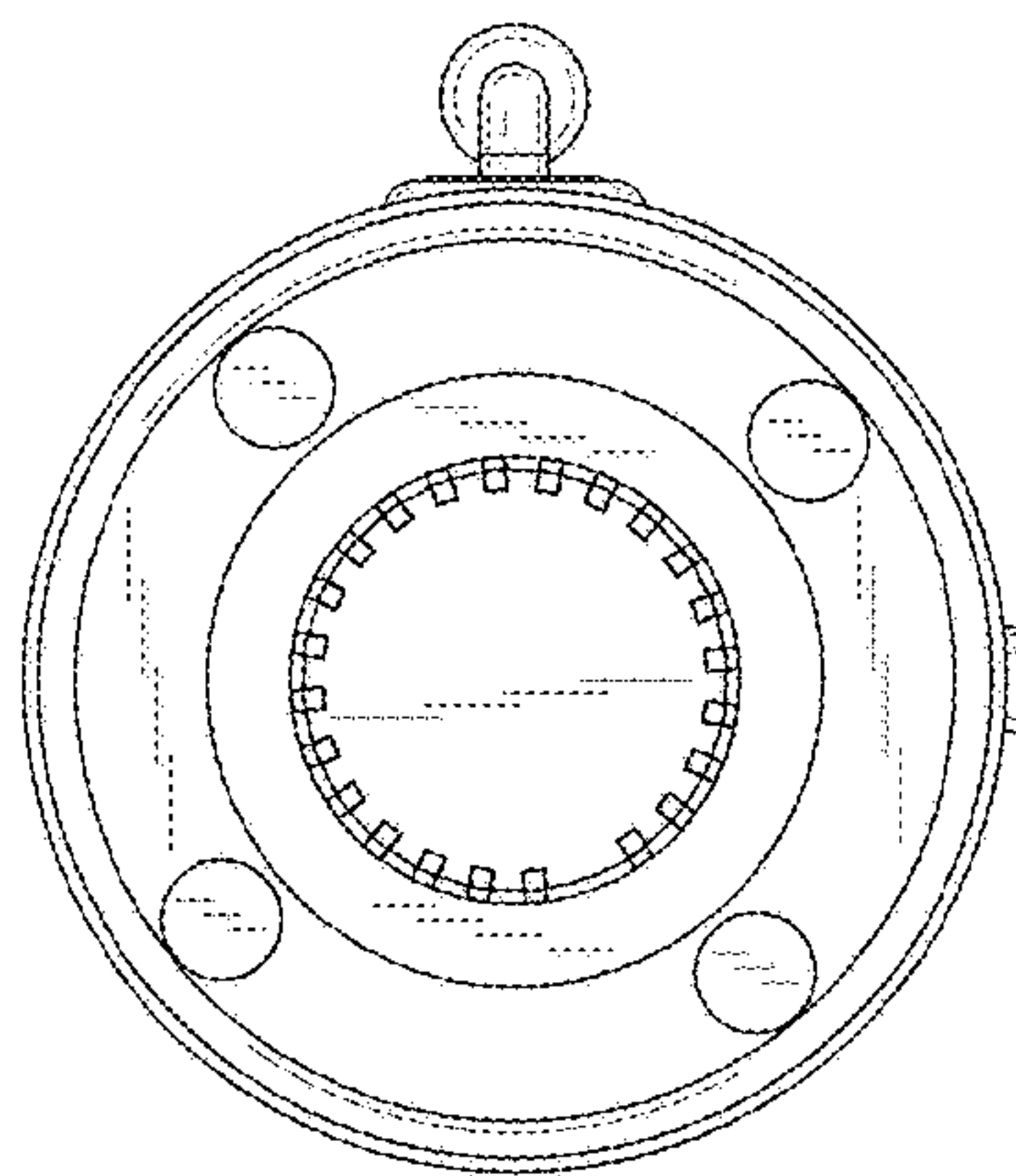


Fig.6

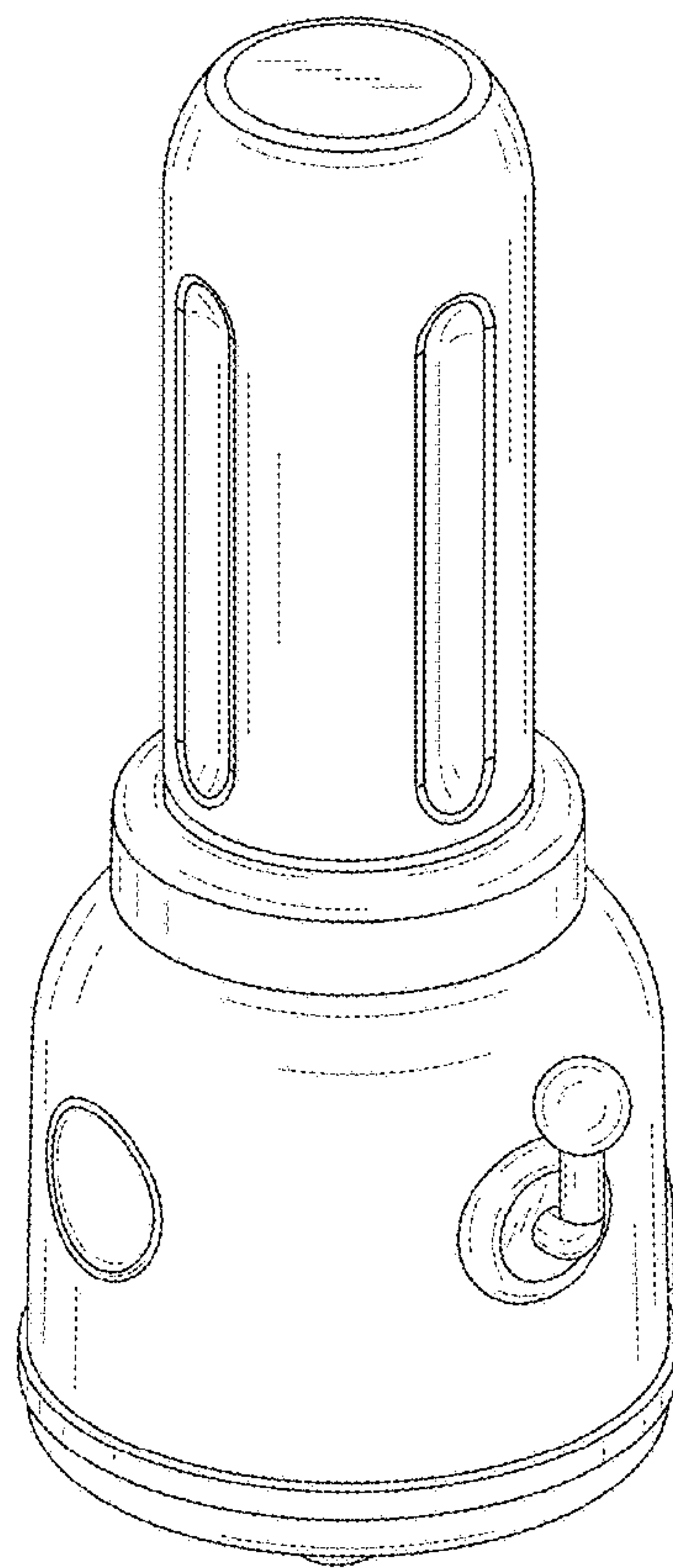


Fig.7

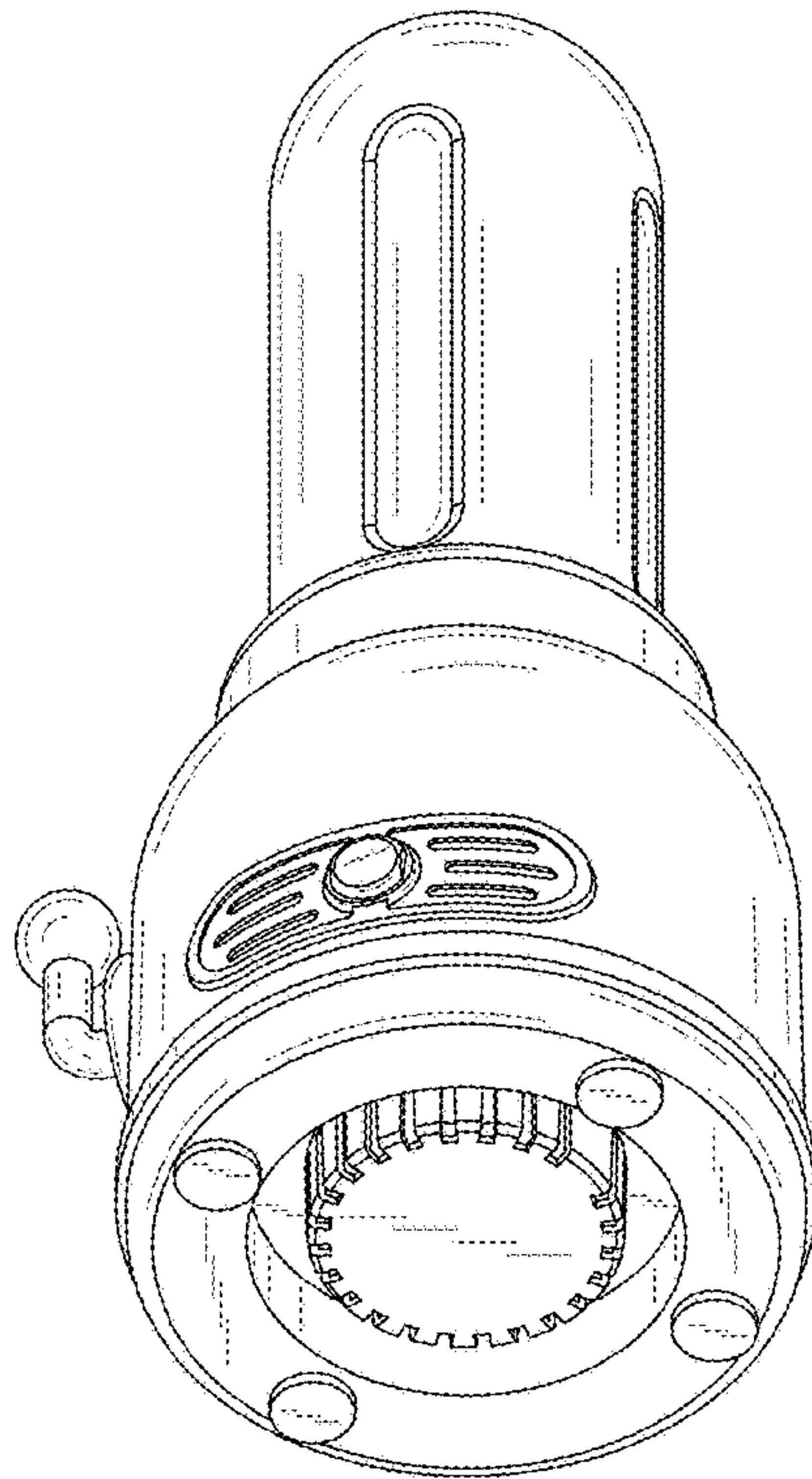


Fig.8