

US00D859937S

(12) **United States Design Patent** (10) **Patent No.:** **US D859,937 S**
Chen (45) **Date of Patent:** **** Sep. 17, 2019**

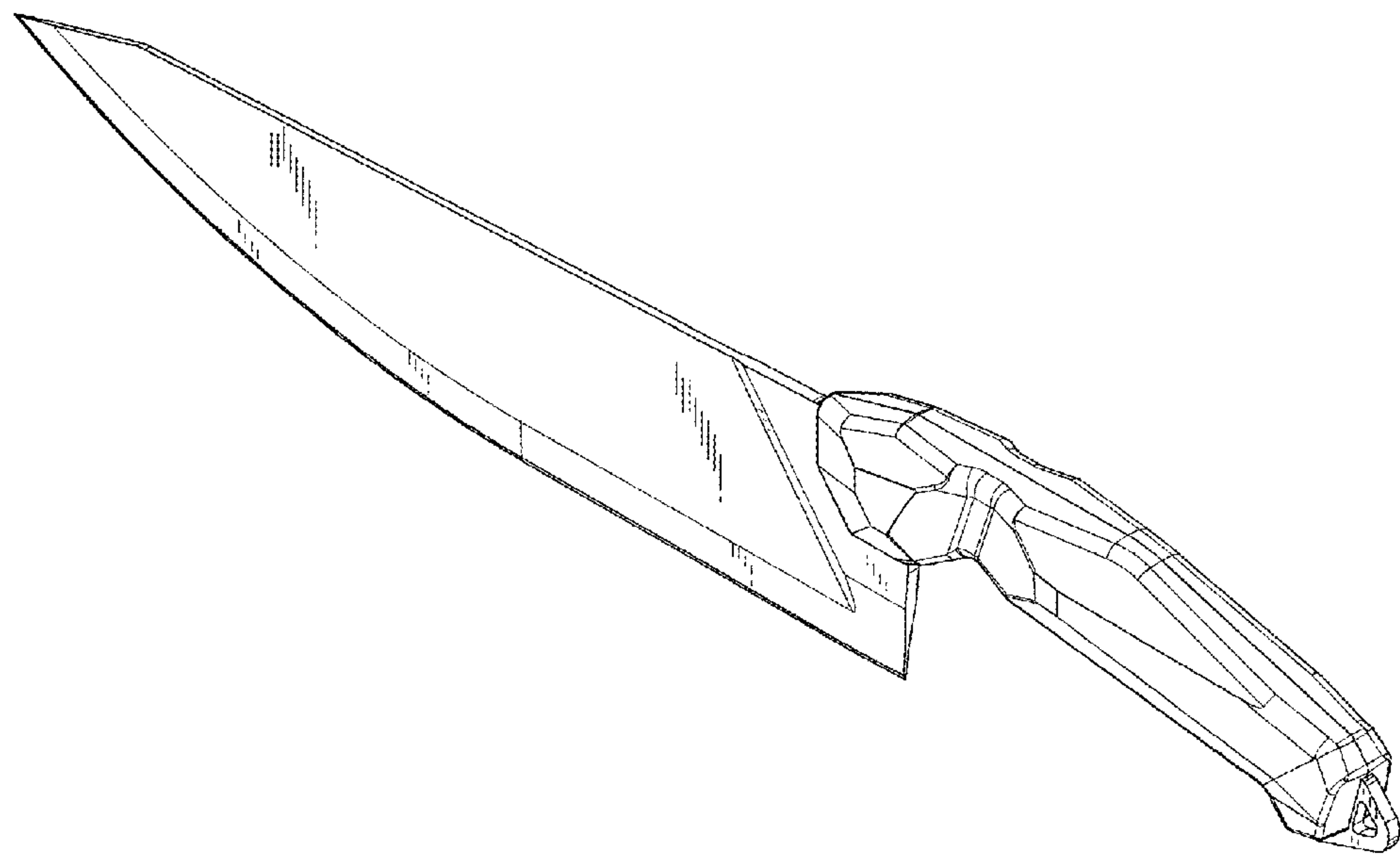
(54) **KNIFE**
(71) Applicant: **CUTTWAY PRODUCTS CO., LTD.**,
Taichung (TW)
(72) Inventor: **Kuan-Jui Chen**, Taichung (TW)
(73) Assignee: **Cuttway Products Co., Ltd.**, Taichung
(TW)
(**) Term: **15 Years**
(21) Appl. No.: **29/634,092**
(22) Filed: **Jan. 18, 2018**
(51) **LOC (12) Cl.** **07-03**
(52) **U.S. Cl.**
USPC **D7/649; D7/401.2**
(58) **Field of Classification Search**
USPC D7/393-395, 401.2, 642-652, 693-696;
D8/93, 97-100, 107, 300, 321;
D22/117-118
CPC A01B 1/20; A01B 1/22; A22C 25/006;
A47G 21/06; A47G 21/065; A61B
17/3211; A61B 17/3213; B21D 53/64;
B25G 3/36; B26B 1/00; B26B 1/08;
B26B 1/10; B26B 3/00; B26B 3/02;
B26B 3/03; B26B 3/04; B26B 3/06;
B26B 5/00; B26B 5/001; B26B 5/007;
B26B 7/00; B26B 7/005; B26B 9/00;
B26B 9/02; B26B 11/00; B26B 11/006;
B26B 17/00; B26B 17/006; B26B 29/02
See application file for complete search history.

(56) **References Cited**
U.S. PATENT DOCUMENTS
D660,676 S * 5/2012 Yang-Fu D8/99
D706,605 S * 6/2014 Cheng D8/99
D711,693 S * 8/2014 Cheney D7/401.2
D723,876 S * 3/2015 Tkachenko D7/649
D734,117 S * 7/2015 Cheng D8/99
D814,237 S * 4/2018 Wu D7/401.2
D832,649 S * 11/2018 Liu D7/401.2
* cited by examiner
Primary Examiner — Ricky Pham
(74) *Attorney, Agent, or Firm* — Muncy, Geissler, Olds &
Lowe, P.C.

(57) **CLAIM**
The ornamental design for a knife, as shown.

DESCRIPTION
FIG. 1 is a perspective view of a knife, showing the new design;
FIG. 2 is a front elevational view thereof;
FIG. 3 is a rear elevational view thereof;
FIG. 4 is a left side elevational view thereof;
FIG. 5 is a right side elevational view thereof;
FIG. 6 is a top plan view thereof; and,
FIG. 7 is a bottom plan view thereof.

1 Claim, 5 Drawing Sheets



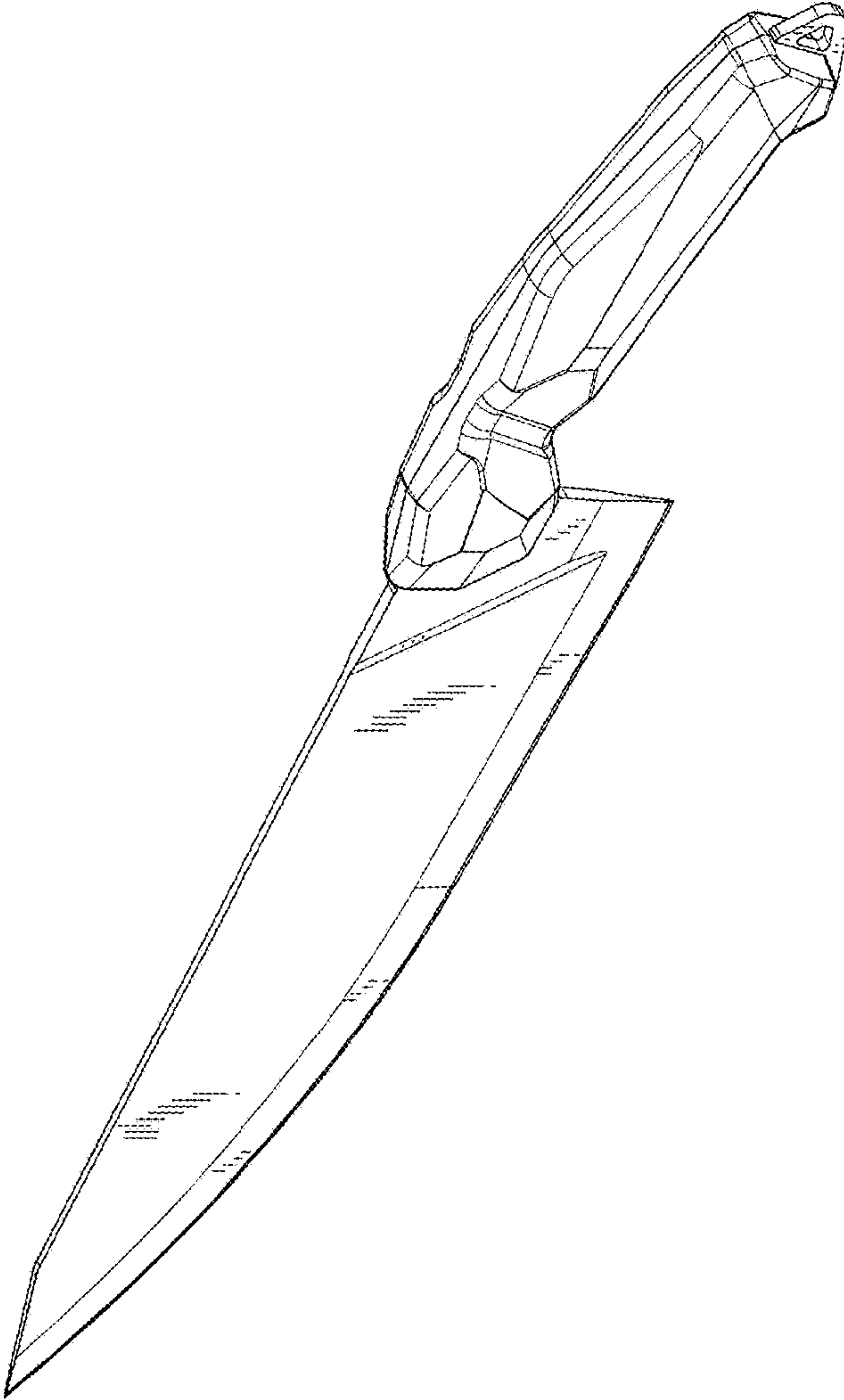


FIG. 1

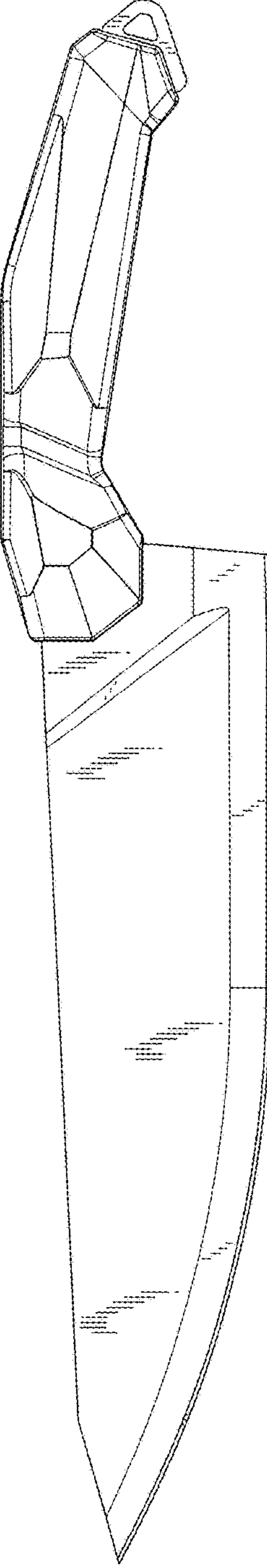


FIG. 2

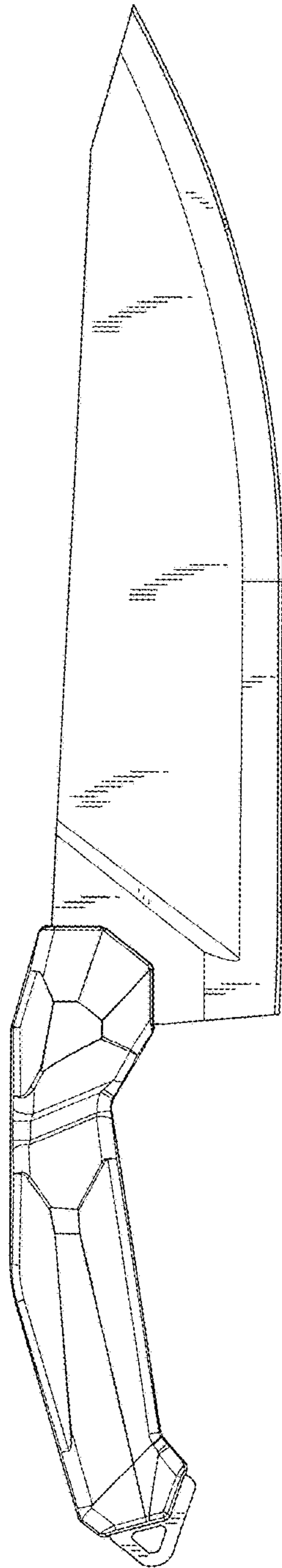


FIG. 3

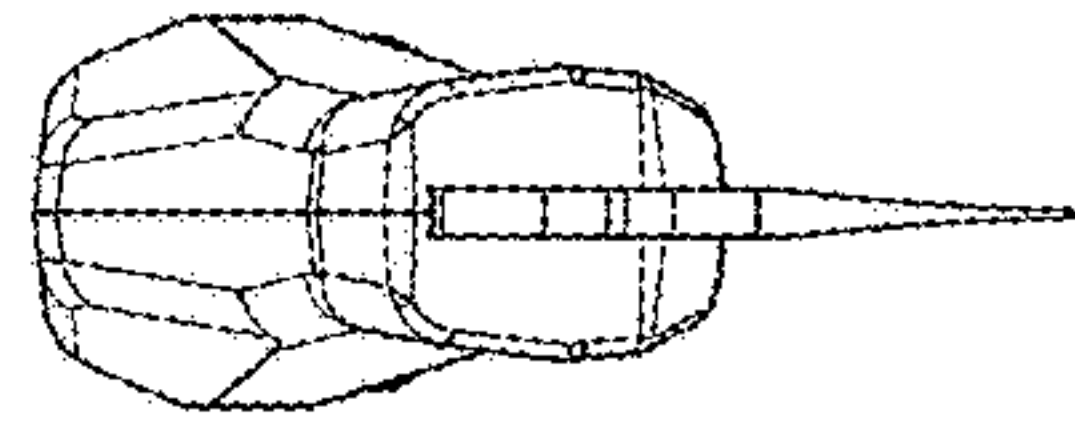


FIG. 5

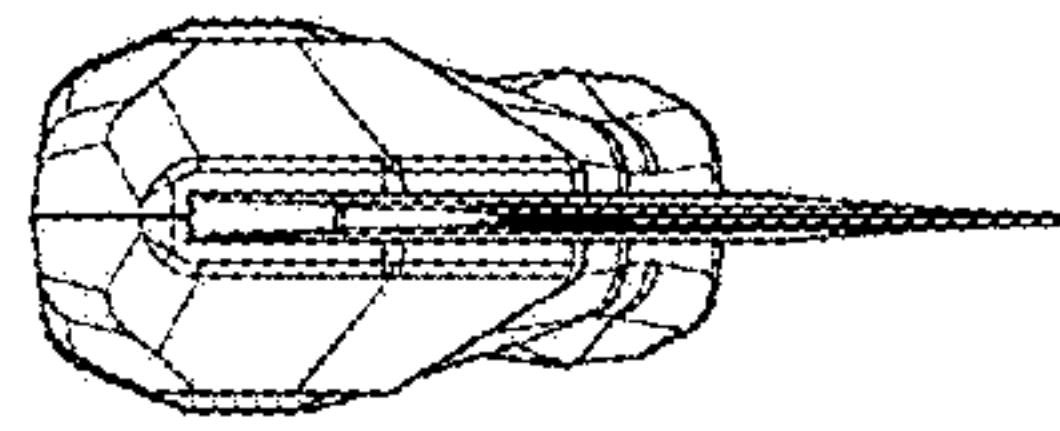


FIG. 4

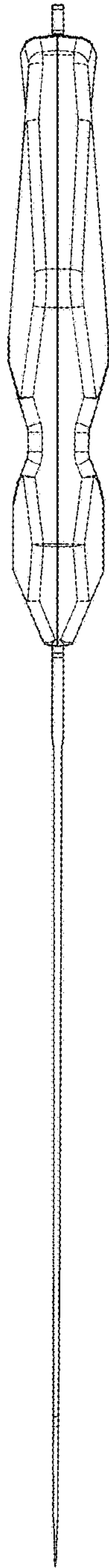


FIG. 6

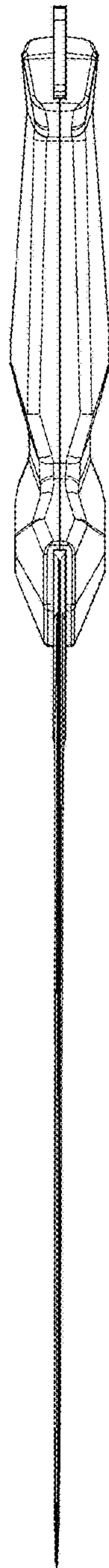


FIG. 7