



US00D859936S

(12) **United States Design Patent**
Buck

(10) **Patent No.:** **US D859,936 S**

(45) **Date of Patent:** **** Sep. 17, 2019**

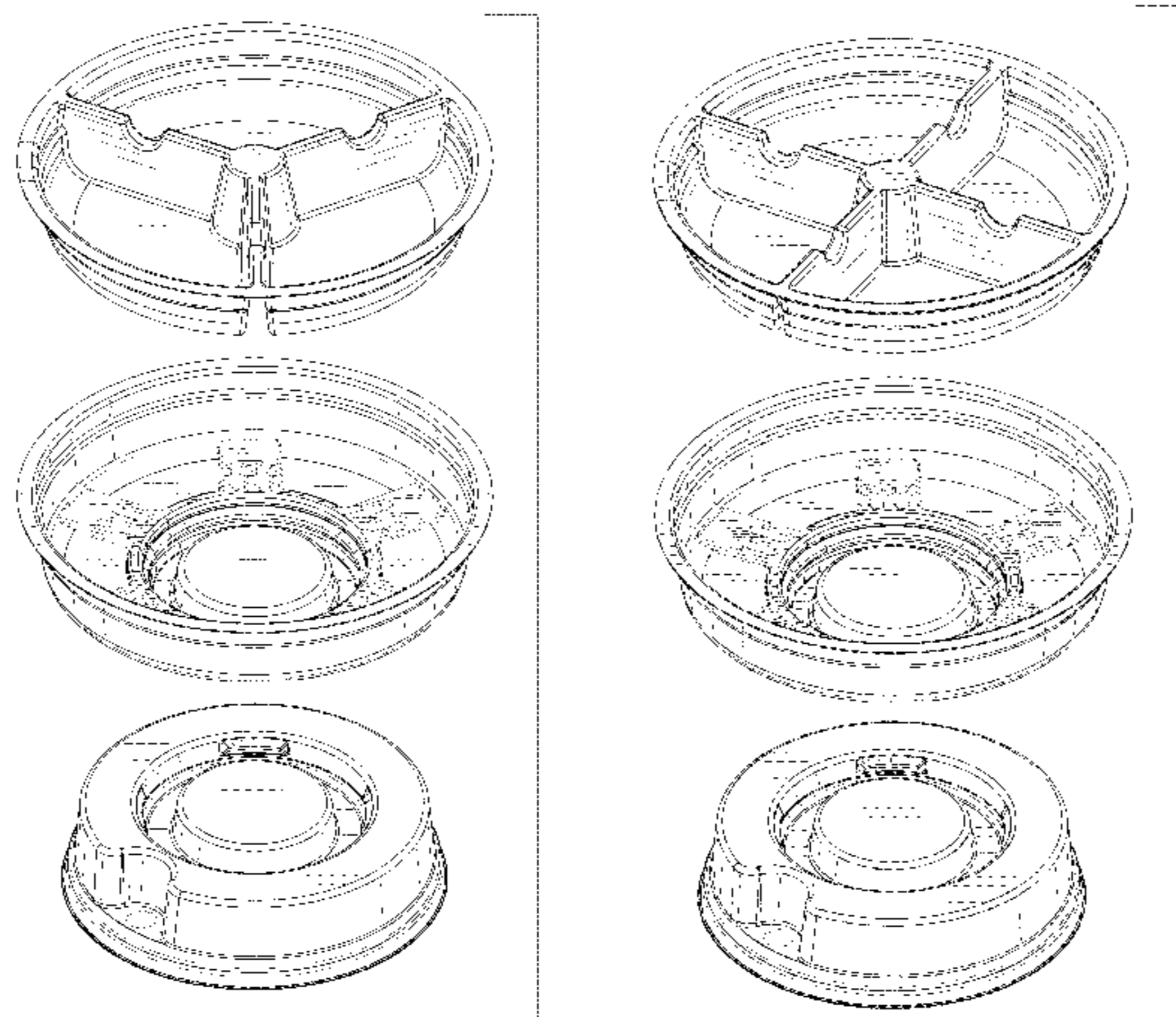
- (54) **COMBINED BEVERAGE LID AND FOOD CONTAINER**
- (71) Applicant: **Ronald Mark Buck**, Encinitas, CA (US)
- (72) Inventor: **Ronald Mark Buck**, Encinitas, CA (US)
- (73) Assignee: **Snacktops, Inc.**, Carlsbad, CA (US)
- (**) Term: **15 Years**
- (21) Appl. No.: **29/577,529**
- (22) Filed: **Sep. 13, 2016**
- (51) **LOC (12) Cl.** **09-07**
- (52) **U.S. Cl.**
USPC **D7/629**
- (58) **Field of Classification Search**
USPC D7/354, 601-602, 610, 629-630, D7/707-708, 357, 614, 701, 703, 738, D7/747, 756; 206/405, 557; D9/424-426, 428, 500-503, 761; 426/392; 229/903; D99/429
CPC B65D 1/36; B65D 81/3446; B65D 1/00; A47G 23/04; A47G 23/0683; A47G 23/06
See application file for complete search history.

- 3,797,694 A * 3/1974 See B65D 43/0212
220/203.09
- D231,302 S * 4/1974 Lukawski D7/541
- D252,913 S * 9/1979 Barcliff D7/542
- D266,299 S * 9/1982 Taylor D7/540
- D285,638 S * 9/1986 Trivison D7/557
- D291,042 S * 7/1987 Fahey D7/555
- 5,139,453 A * 8/1992 Aiken A63F 7/0668
434/259
- D348,219 S * 6/1994 Goldberg D3/203.4
- D383,354 S * 9/1997 Nassar D7/357
- D415,421 S * 10/1999 McCann D7/549
- 6,382,452 B1 * 5/2002 Getachew B65D 21/0204
220/23.4
- D483,999 S * 12/2003 Beachum D7/357
- D542,706 S * 5/2007 Prenatt D11/152
- 7,225,633 B2 * 6/2007 DeMars A47G 23/08
62/457.6
- D551,024 S * 9/2007 Rousso D7/555
- D609,058 S * 2/2010 Roth D7/602
- D645,707 S * 9/2011 Stamper D7/602
- D649,413 S * 11/2011 Coursey D7/673
- D686,915 S * 7/2013 Harvey D9/428
- 8,939,312 B1 * 1/2015 Buck A47G 19/065
220/212
- 8,973,776 B1 * 3/2015 Buck A47G 19/2272
220/521
- 9,038,845 B1 * 5/2015 Buck B65D 51/28
220/521
- D738,170 S * 9/2015 Dorn D7/701
- D766,045 S * 9/2016 Ismail D7/589
- D767,391 S * 9/2016 Buck D9/447
- D777,032 S * 1/2017 Buck D9/447
- D794,475 S * 8/2017 Now D9/738
- D795,705 S * 8/2017 Huang D9/738
- D796,317 S * 9/2017 Buck D9/428
- D796,318 S * 9/2017 Buck D9/428
- D796,919 S * 9/2017 Janowitz D3/295
- D803,687 S * 11/2017 Fernandez D9/738
- D808,796 S * 1/2018 Steel D9/428
- 9,908,667 B1 * 3/2018 Smith A47G 19/2272
- D824,213 S * 7/2018 Abrell D7/507
- D831,443 S * 10/2018 Zhang D7/701
- 10,086,986 B2 * 10/2018 Buck A47G 21/18
- 10,092,084 B1 * 10/2018 Celebrero A45F 5/00
- 10,104,991 B2 * 10/2018 Reichel A47G 19/02
- D832,642 S * 11/2018 Buck D7/392.1
- D833,212 S * 11/2018 Buck D7/392.1
- D834,366 S * 11/2018 Ulanski D7/391
- D834,891 S * 12/2018 Greenwood D7/501
- 10,196,190 B2 * 2/2019 Miller B65D 51/24
- D845,771 S * 4/2019 Davila Bracho D9/500

(56) **References Cited**

U.S. PATENT DOCUMENTS

- 261,811 A * 7/1882 Coues A47G 19/02
220/575
- 348,839 A * 9/1886 Grosz B65D 25/04
220/532
- D38,512 S * 4/1907 Donovan 220/575
- D72,249 S * 3/1927 Orzo D28/76
- 2,641,912 A * 6/1953 Lawler A47G 19/02
220/23.8
- 2,774,466 A * 12/1956 Liska B65D 47/263
206/538
- D193,119 S * 6/1962 Bostrom D9/756
- D208,806 S * 10/1967 Bliss 220/23.4
- D212,109 S * 8/1968 Taylor D7/614



2007/0084810	A1*	4/2007	Morris	A47K 1/09 211/65
2013/0056463	A1*	3/2013	Buck	A47G 19/065 220/23.83
2013/0119065	A1*	5/2013	Buck	A47G 19/2205 220/523
2013/0228486	A1*	9/2013	Buck	B65D 21/0238 206/459.1
2016/0007780	A1*	1/2016	Dolan	B65D 43/0202 220/324
2016/0051071	A1*	2/2016	Buck	A47G 21/187 239/33
2016/0075492	A1*	3/2016	Brannock	B65D 43/0212 220/712
2016/0114959	A1*	4/2016	Strominger	B65D 1/265 220/23.86
2016/0128502	A1*	5/2016	Buck	A47G 21/187 220/713
2016/0324371	A1*	11/2016	Herrera, Jr.	A47J 47/02
2016/0345762	A1*	12/2016	Brannock	A47G 19/2272
2017/0099997	A1*	4/2017	Buck	A47G 19/2205
2017/0202342	A1*	7/2017	Won	A45D 40/24
2017/0203892	A1*	7/2017	Buck	B65D 21/0223
2017/0362001	A1*	12/2017	Buck	A47G 19/2272
2018/0079567	A1*	3/2018	Engel	B65D 51/28
2018/0099805	A1*	4/2018	Johnson	B65D 11/02
2018/0235387	A9*	8/2018	Buck	A47G 21/187
2018/0297742	A1*	10/2018	Dube	B65D 1/36
2018/0317684	A1*	11/2018	Hung	B65D 25/16
2018/0339804	A1*	11/2018	Choi	B65D 21/0233
2019/0031397	A1*	1/2019	Grove	B65D 21/0237

OTHER PUBLICATIONS

Round Pre-sealed Container, Snacktops, snacktops.com, author and date not listed © 2012-2017 Snacktops Inc., online, site visited Sep. 6, 2018. Available from Internet, URL: <https://www.snacktops.com/?lightbox=dataItem-is0nhvyw1> (Year: 2018).*

Portable Snack and Beverage Containers, Snacktops, restaurantnewsrelease.com, published by Restaurant News Release on Aug. 24, 2016 © 2018 RestaurantNewsRelease.com, online, visited Sep. 13, 2018. Available from URL: <http://www.restaurantnewsrelease.com/snacktops-inc-announces-first-line-of-...> (Year: 2016).*

Snack and Beverage Containers, Snackeez, youtube.com, published by Snackeez on Apr. 28, 2016 © not listed, online, site visited Sep. 13, 2018. Available from Internet, URL: <https://www.youtube.com/watch?v=Psjlil1wm9o&feature=youtu.be> (Year: 2016).*

* cited by examiner

Primary Examiner — Shannon W Morgan

Assistant Examiner — Altaira J Swangin

(74) Attorney, Agent, or Firm — Manuel de la Cerra

(57) CLAIM

The ornamental design for a combined beverage lid and food container, as shown and described.

DESCRIPTION

FIG. 1 is a top perspective view of a first embodiment of a combined beverage lid and food container.

FIG. 2 is a top perspective exploded view of the first embodiment thereof.

FIG. 3 is a bottom perspective exploded view of the first embodiment thereof.

FIG. 4 is a top perspective view of the first embodiment thereof.

FIG. 5 is a top perspective exploded view of the first embodiment thereof.

FIG. 6 is a top view of the parts of the first embodiment thereof.

FIG. 7 is a bottom view of the parts of the first embodiment thereof.

FIG. 8 is a front view of the parts of the first embodiment thereof.

FIG. 9 is a rear view of the parts of the first embodiment thereof.

FIG. 10 is a left-side view of the parts of the first embodiment thereof.

FIG. 11 is a right-side view of the parts of the first embodiment thereof.

FIG. 12 is a top perspective view of a second embodiment thereof.

FIG. 13 is a top perspective exploded view of the second embodiment thereof.

FIG. 14 is a bottom perspective exploded view of the second embodiment thereof.

FIG. 15 is a top view of the parts of the second embodiment thereof.

FIG. 16 is a bottom view of the parts of the second embodiment thereof.

FIG. 17 is a front view of the parts of the second embodiment thereof.

FIG. 18 is a rear view of the parts of the second embodiment thereof.

FIG. 19 is a left-side view of the parts of the second embodiment thereof (the right-side is a mirror image).

FIG. 20 is a top perspective view of a third embodiment thereof.

FIG. 21 is a top perspective exploded view of the second embodiment thereof.

FIG. 22 is a bottom perspective exploded view of the third embodiment thereof.

FIG. 23 is a top view of the parts of the third embodiment thereof.

FIG. 24 is a bottom view of the parts of the third embodiment thereof.

FIG. 25 is a front view of the parts of the third embodiment thereof.

FIG. 26 is a rear view of the parts of the third embodiment thereof.

FIG. 27 is a left-side view of the parts of the third embodiment thereof (the right-side is a mirror image).

FIG. 28 is a top perspective exploded view of a fourth embodiment thereof.

FIG. 29 is a top perspective exploded view of a fifth embodiment thereof; and,

FIG. 30 is a top perspective exploded view of a sixth embodiment thereof.

The even-dash broken lines in FIGS. 4-5, showing a beverage container, straw, and peel-off cover, represent environment which forms no part of the claimed design. All other even-broken lines in the drawings represent portions of the combined beverage lid and food container which form no part of the claimed design. The dash-dot broken lines in the drawings represent a boundary which forms no part of the claimed design.

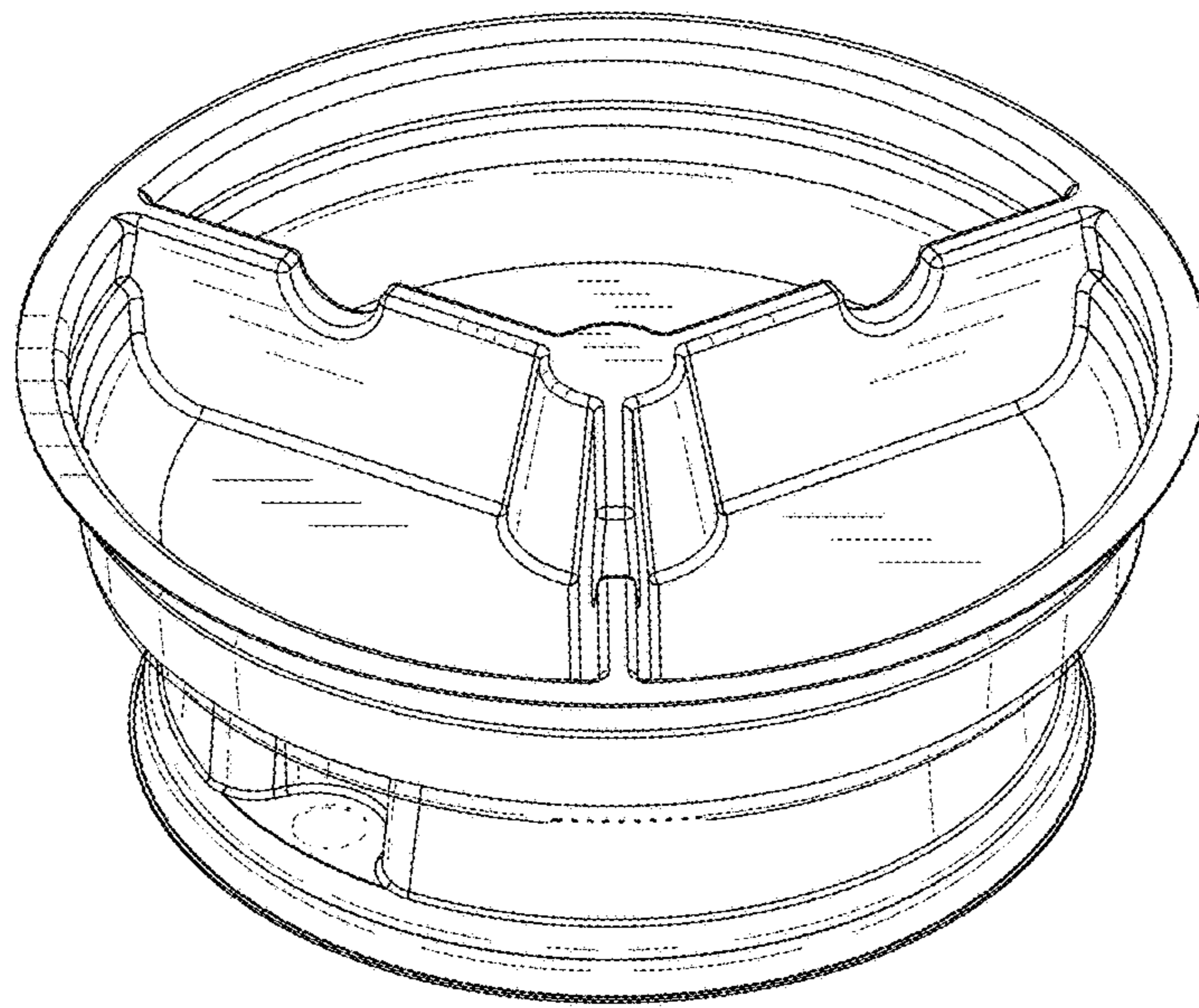


FIG. 1

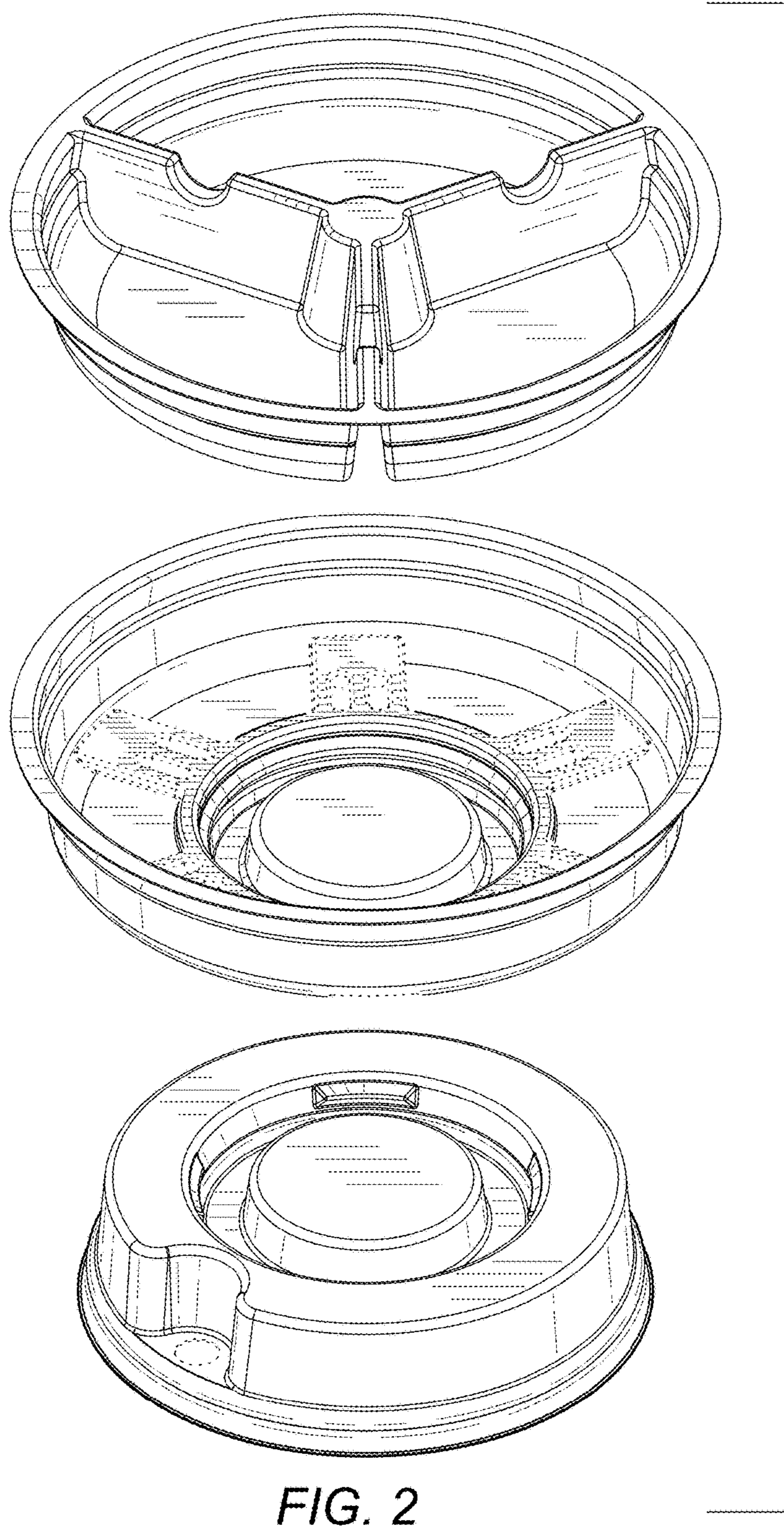


FIG. 2

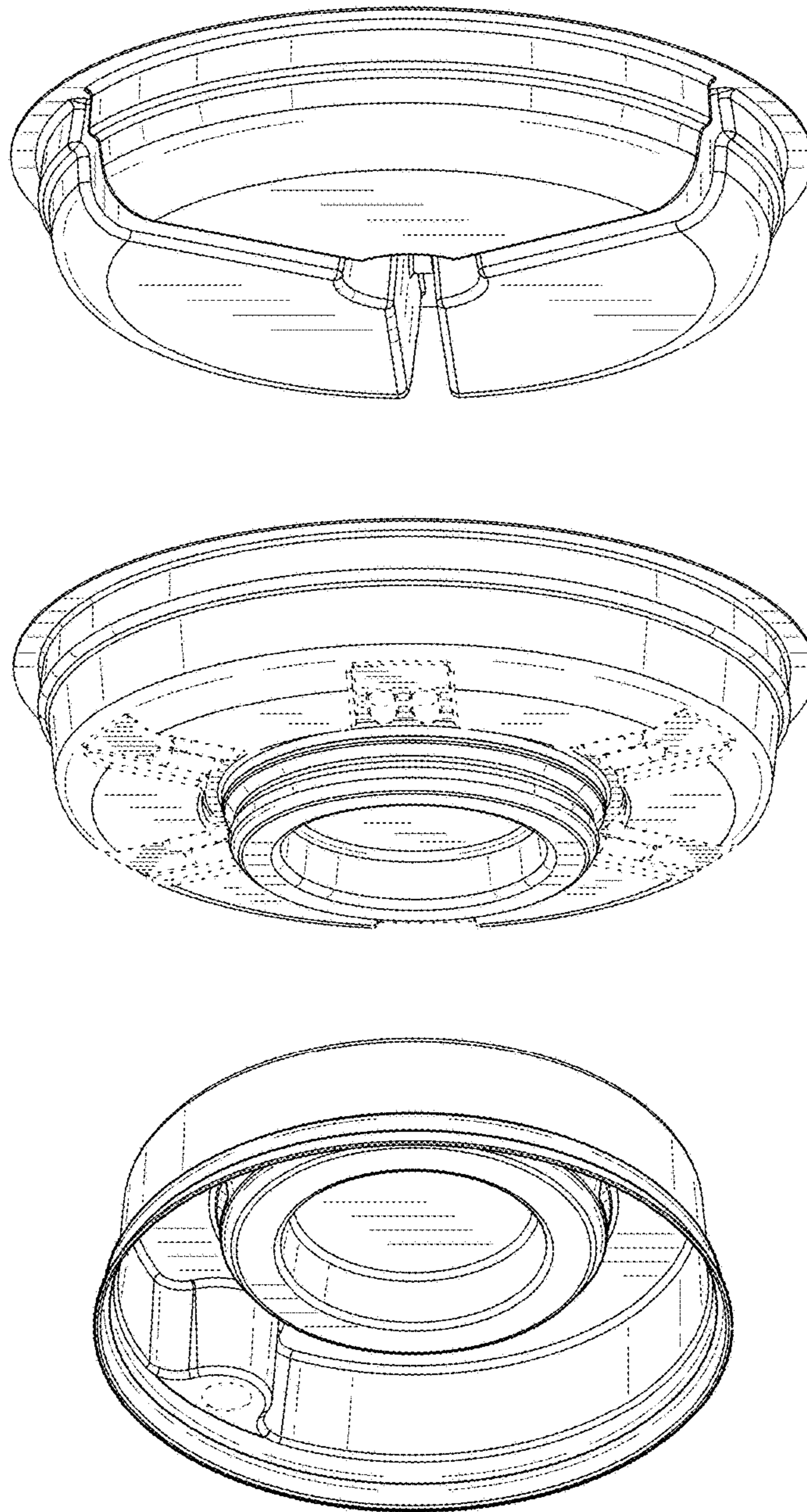


FIG. 3

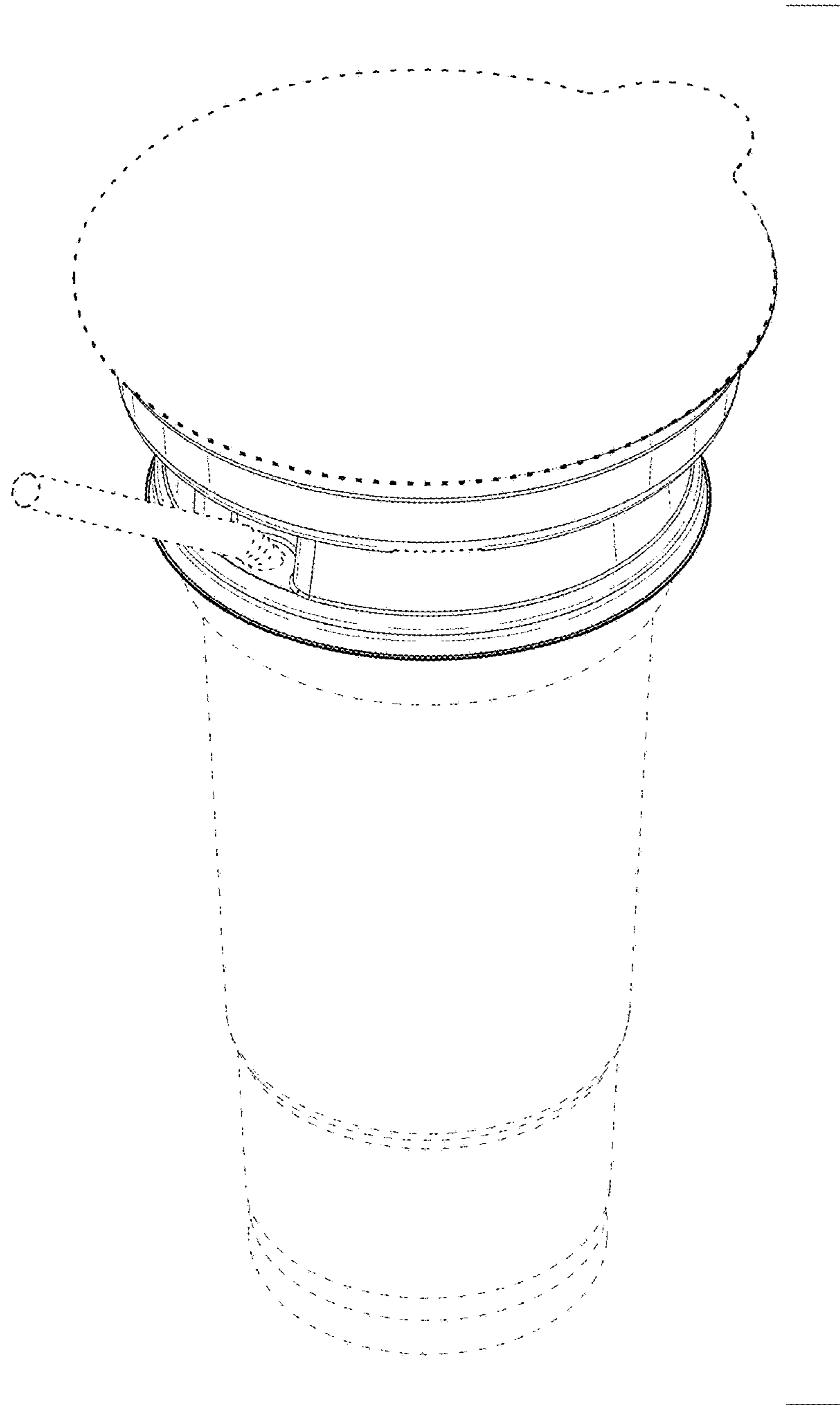


FIG. 4

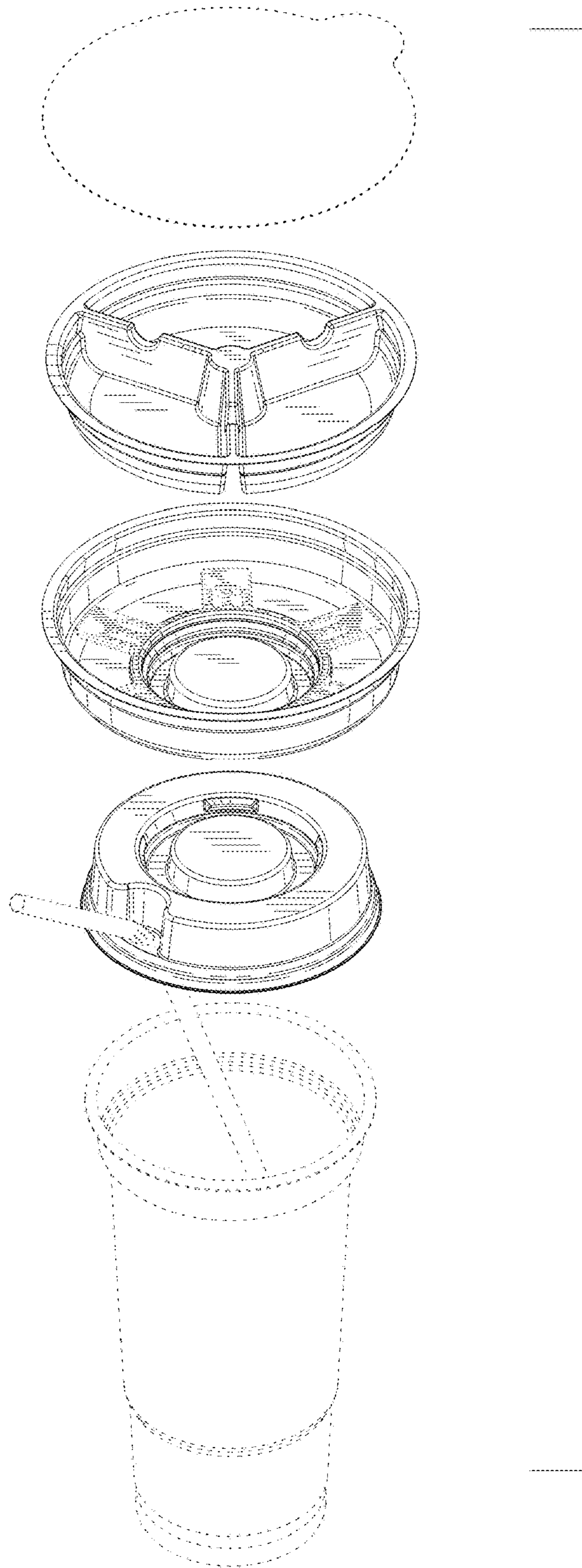


FIG. 5

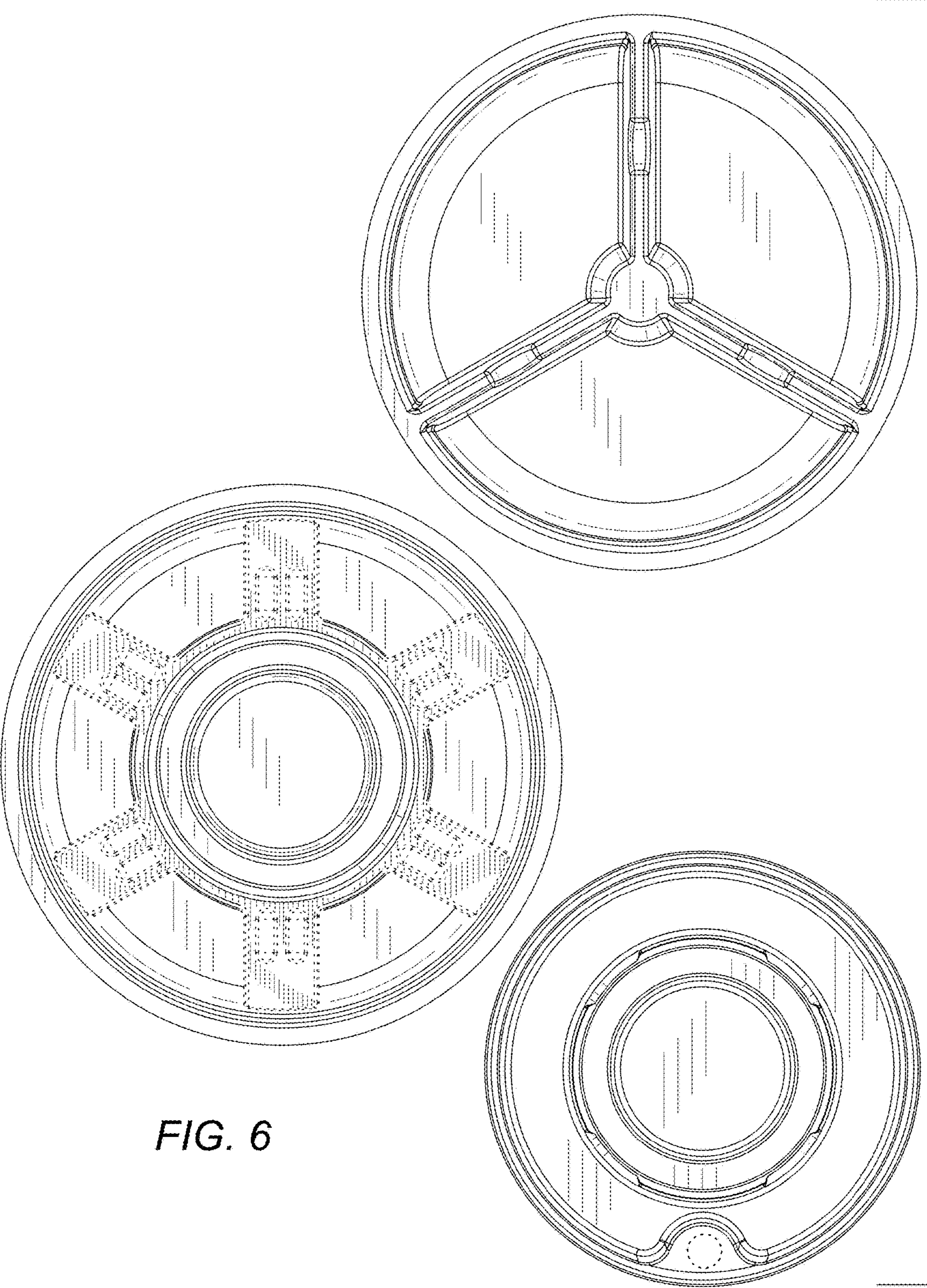
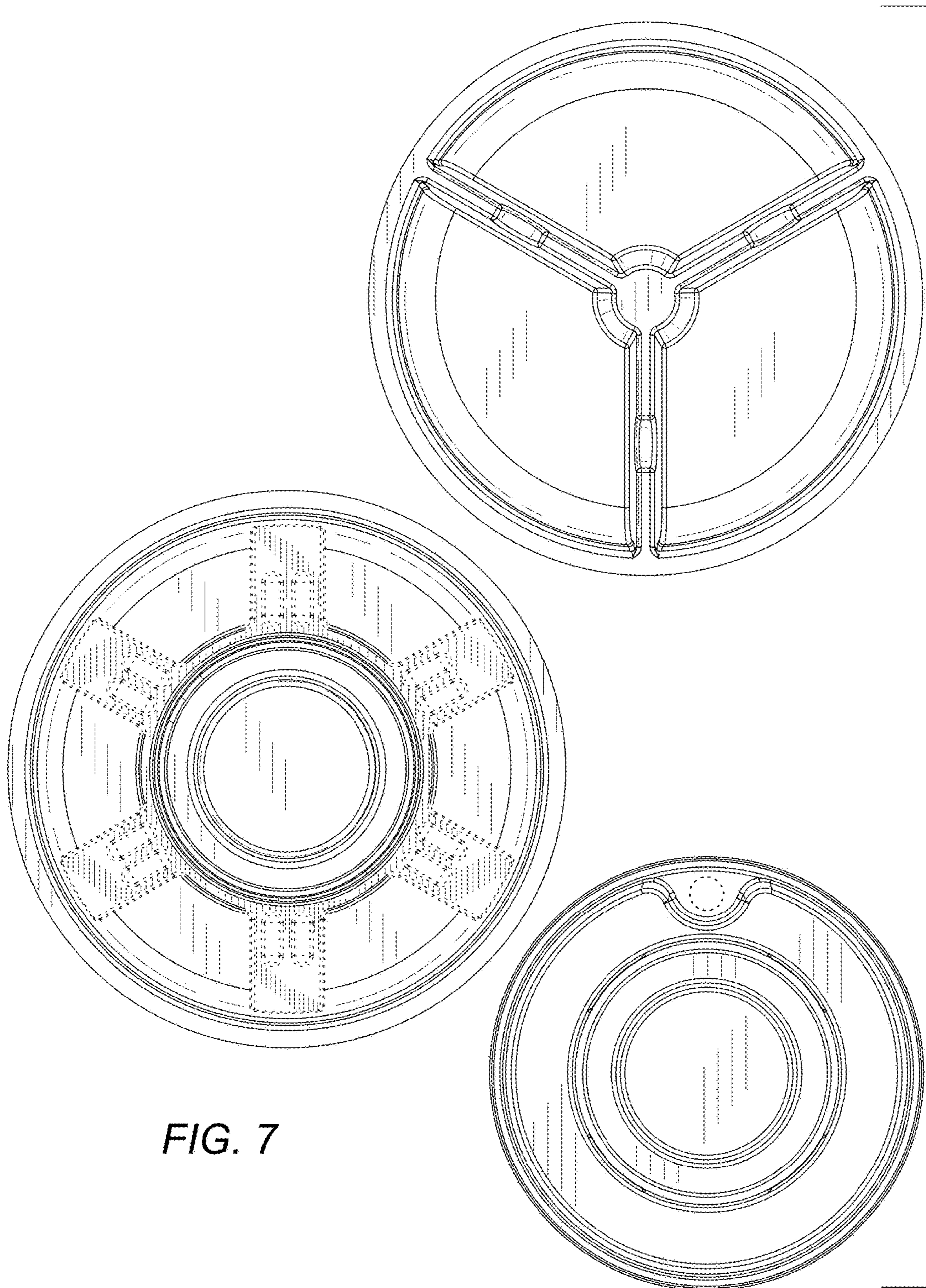


FIG. 6



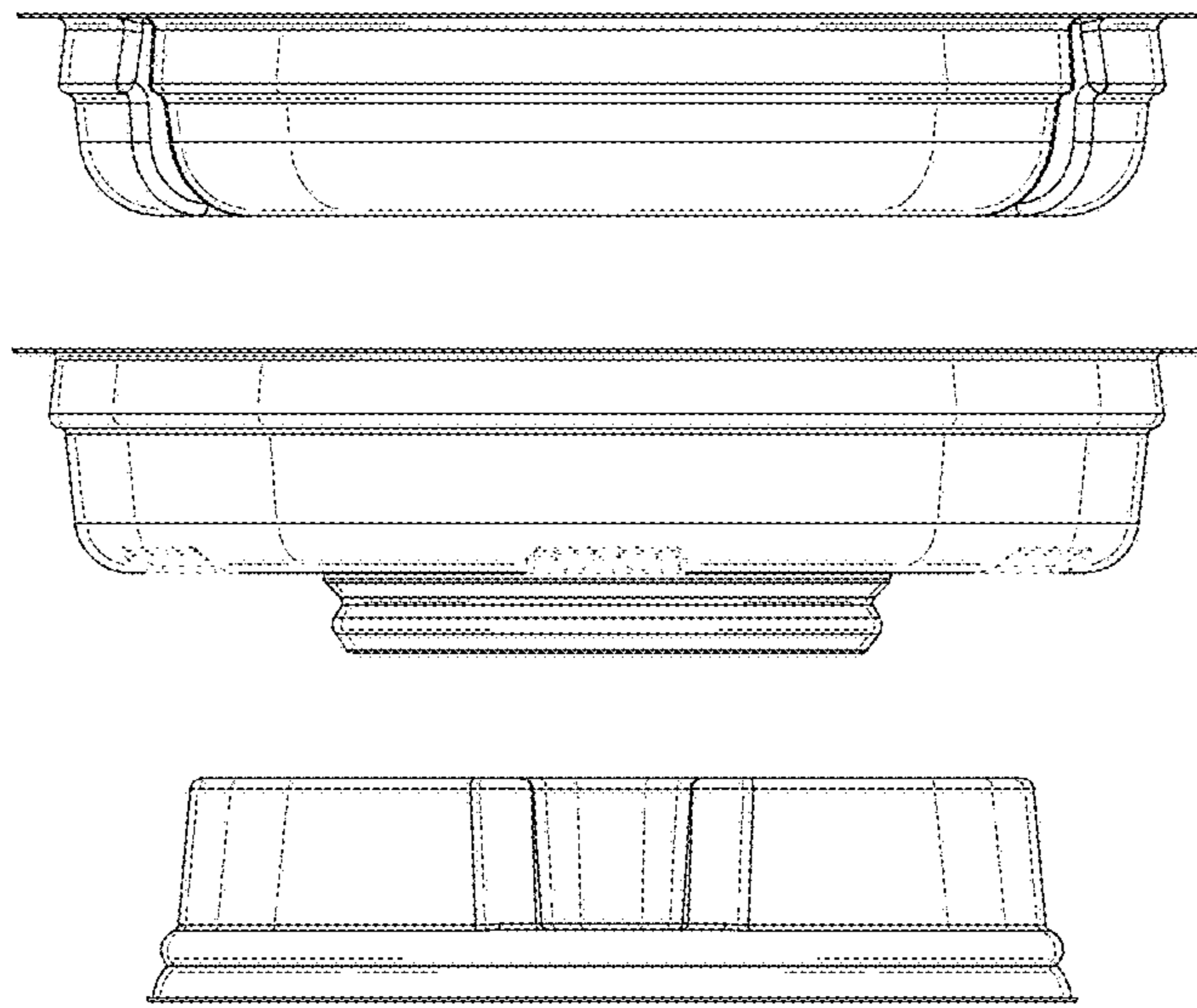


FIG. 8

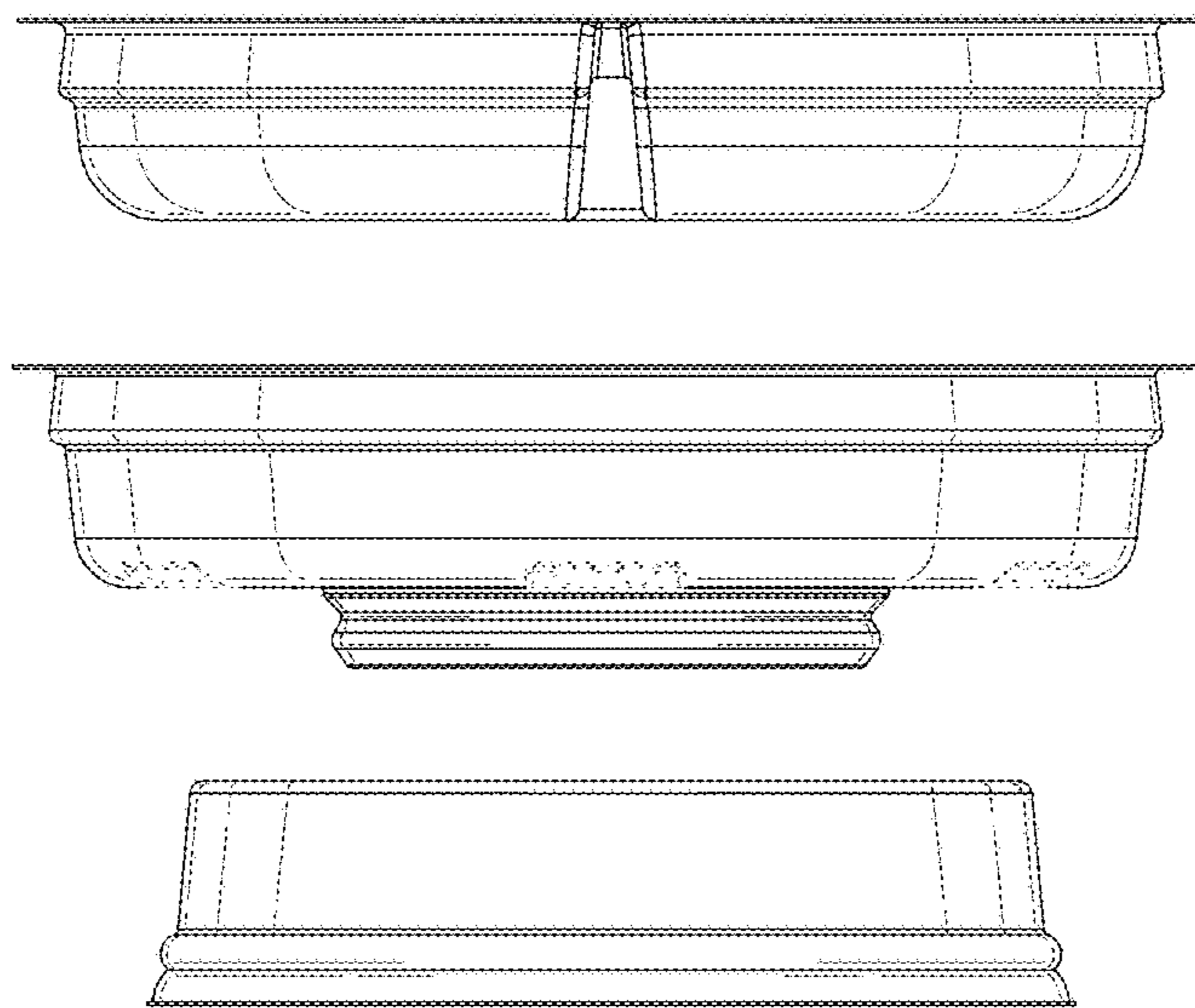


FIG. 9

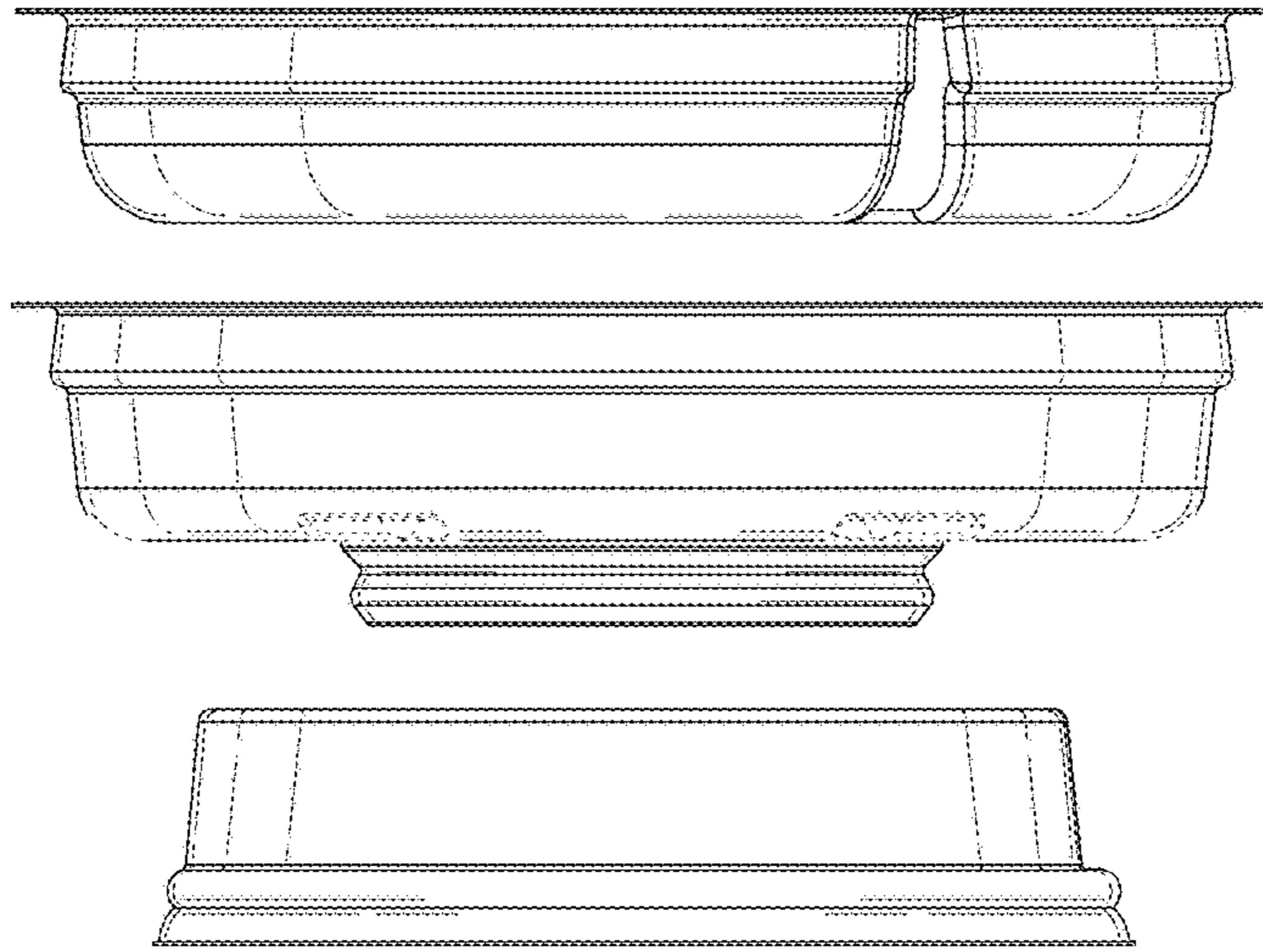


FIG. 10

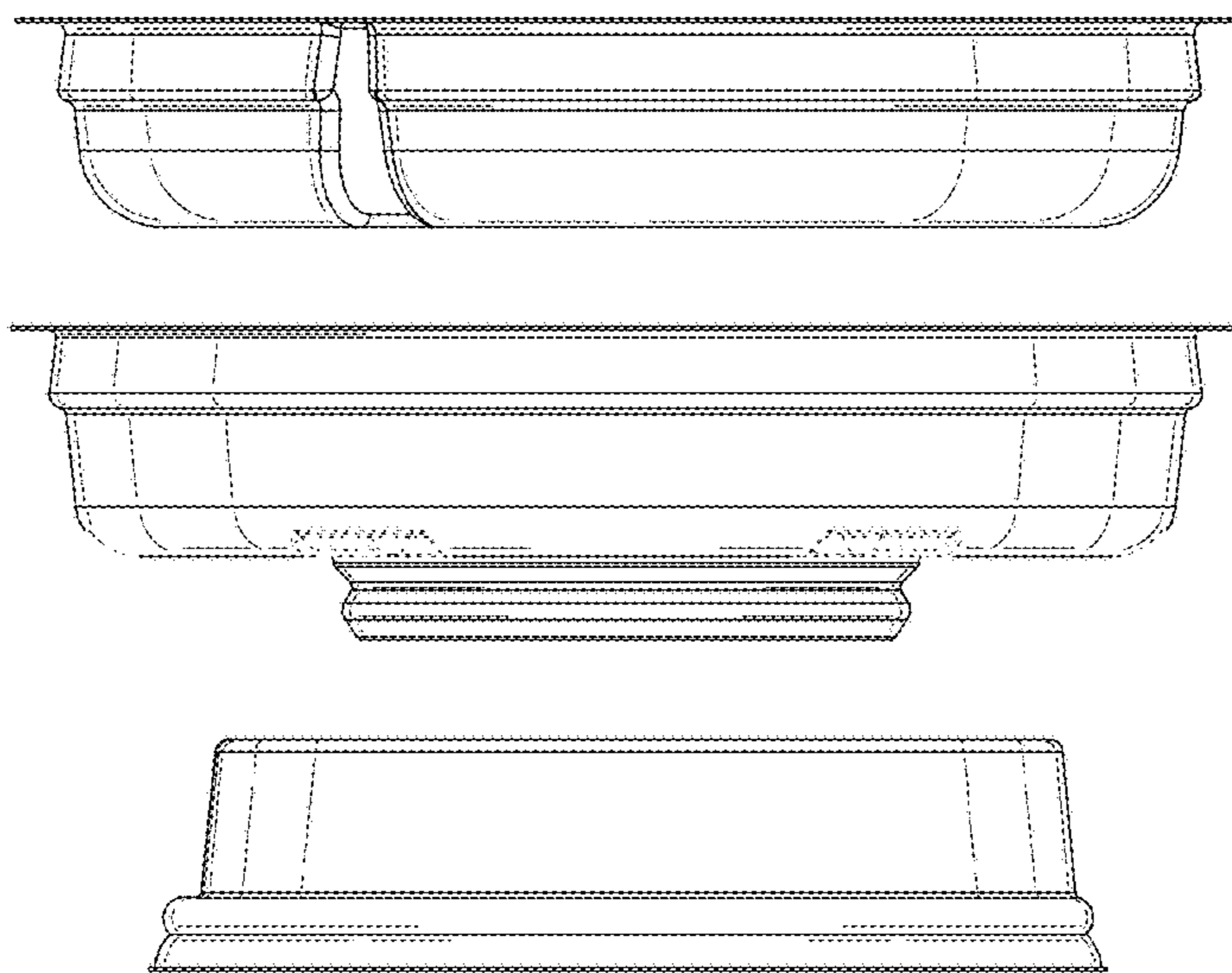


FIG. 11

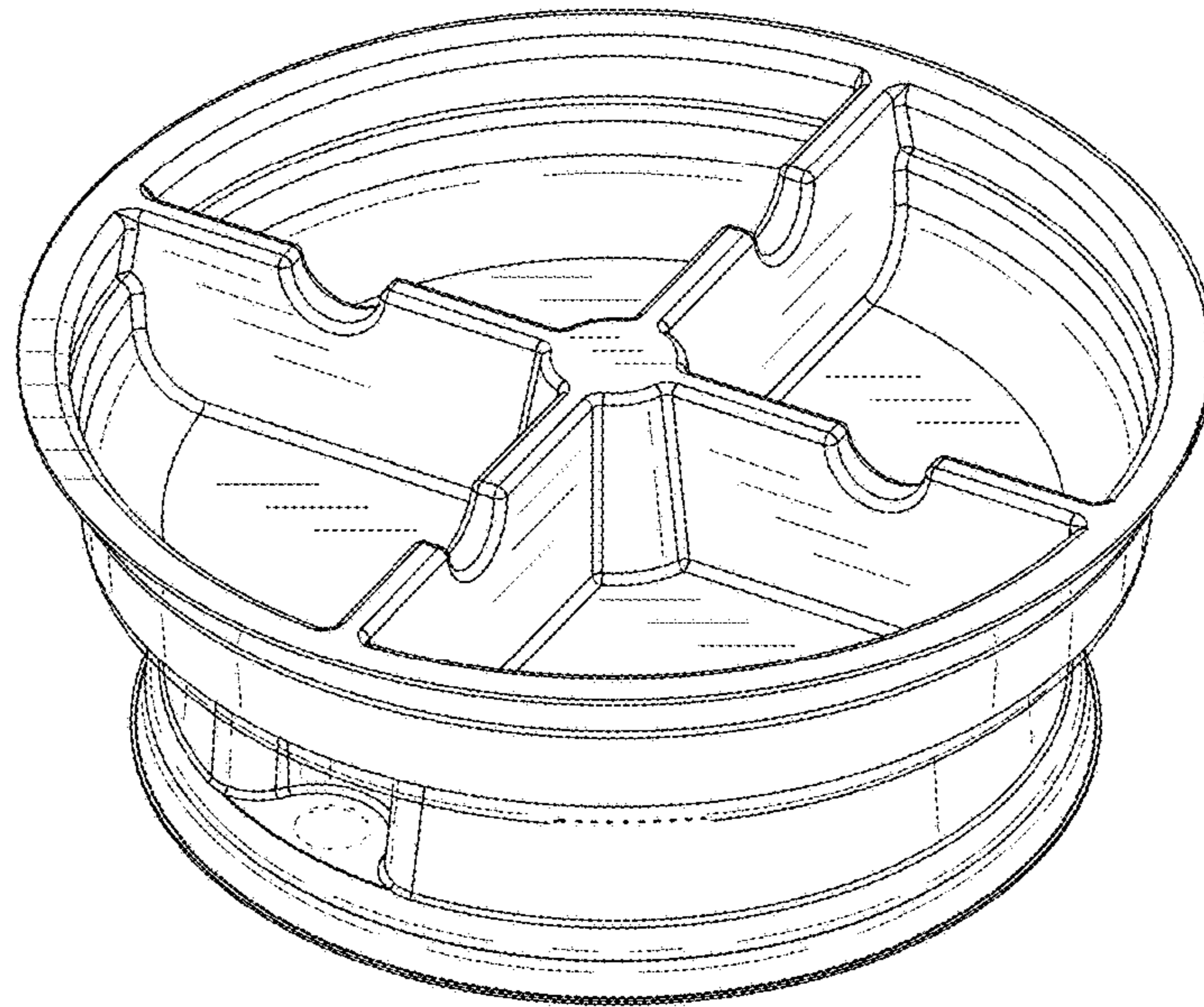


FIG. 12

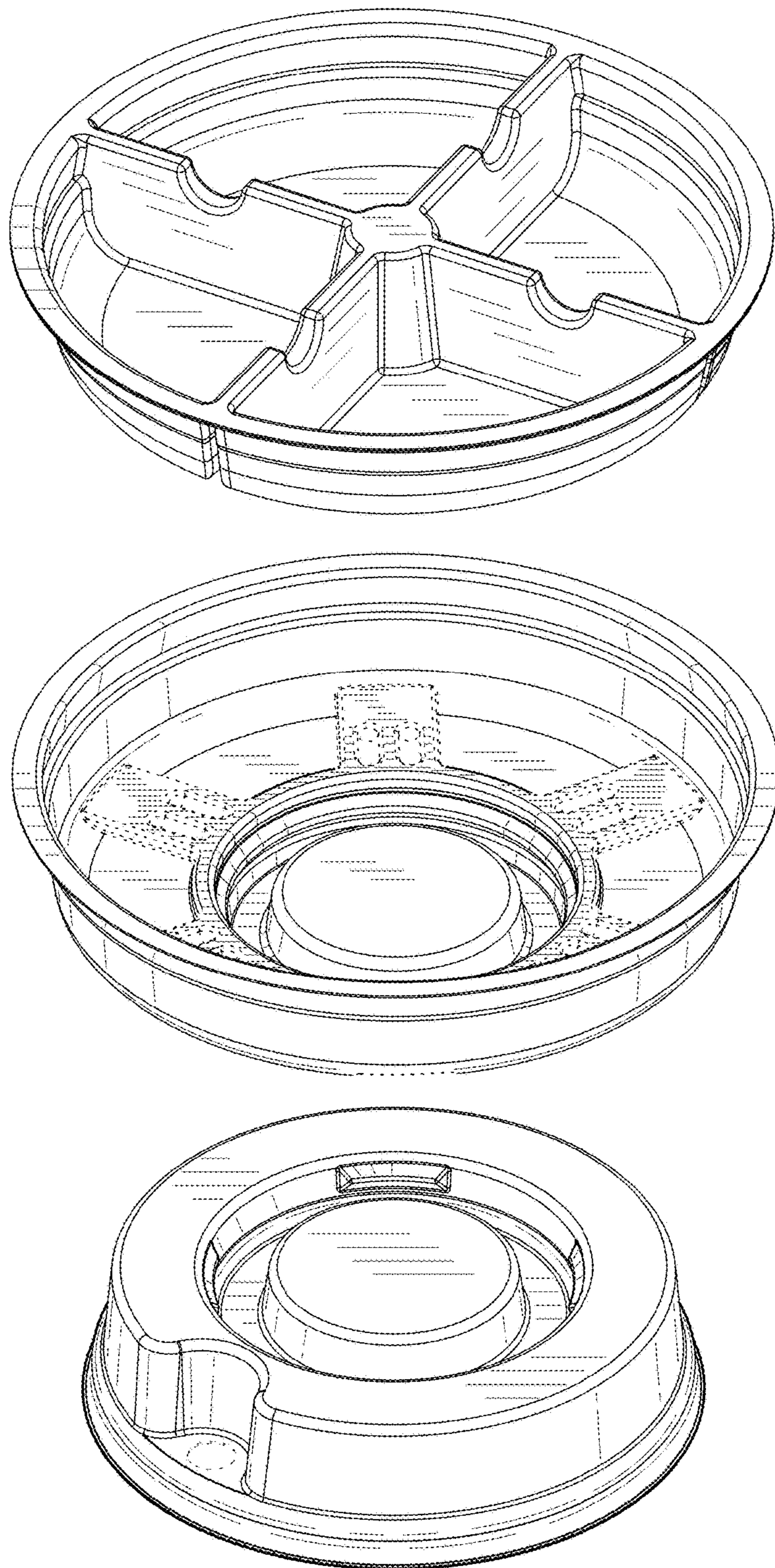


FIG. 13

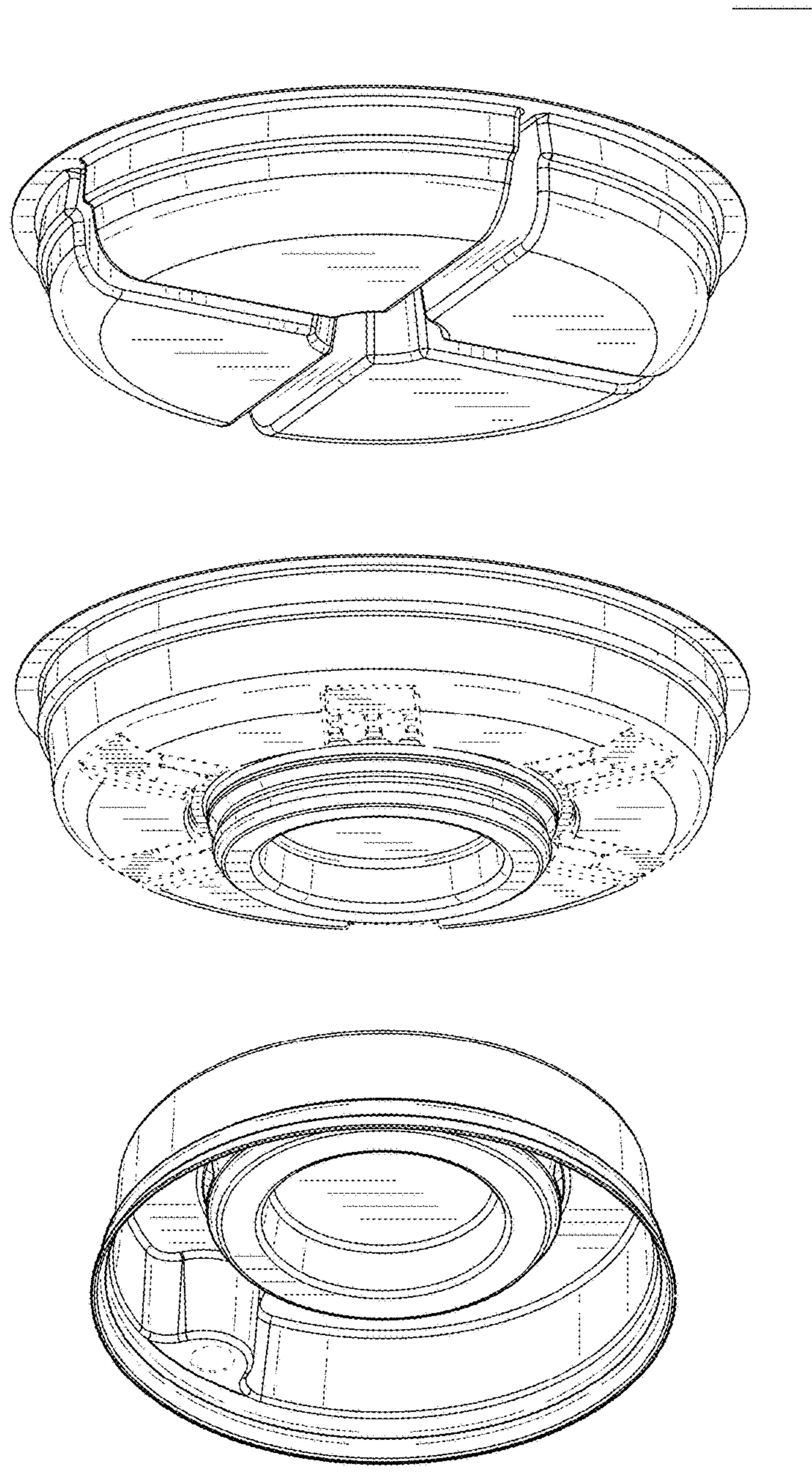


FIG. 14

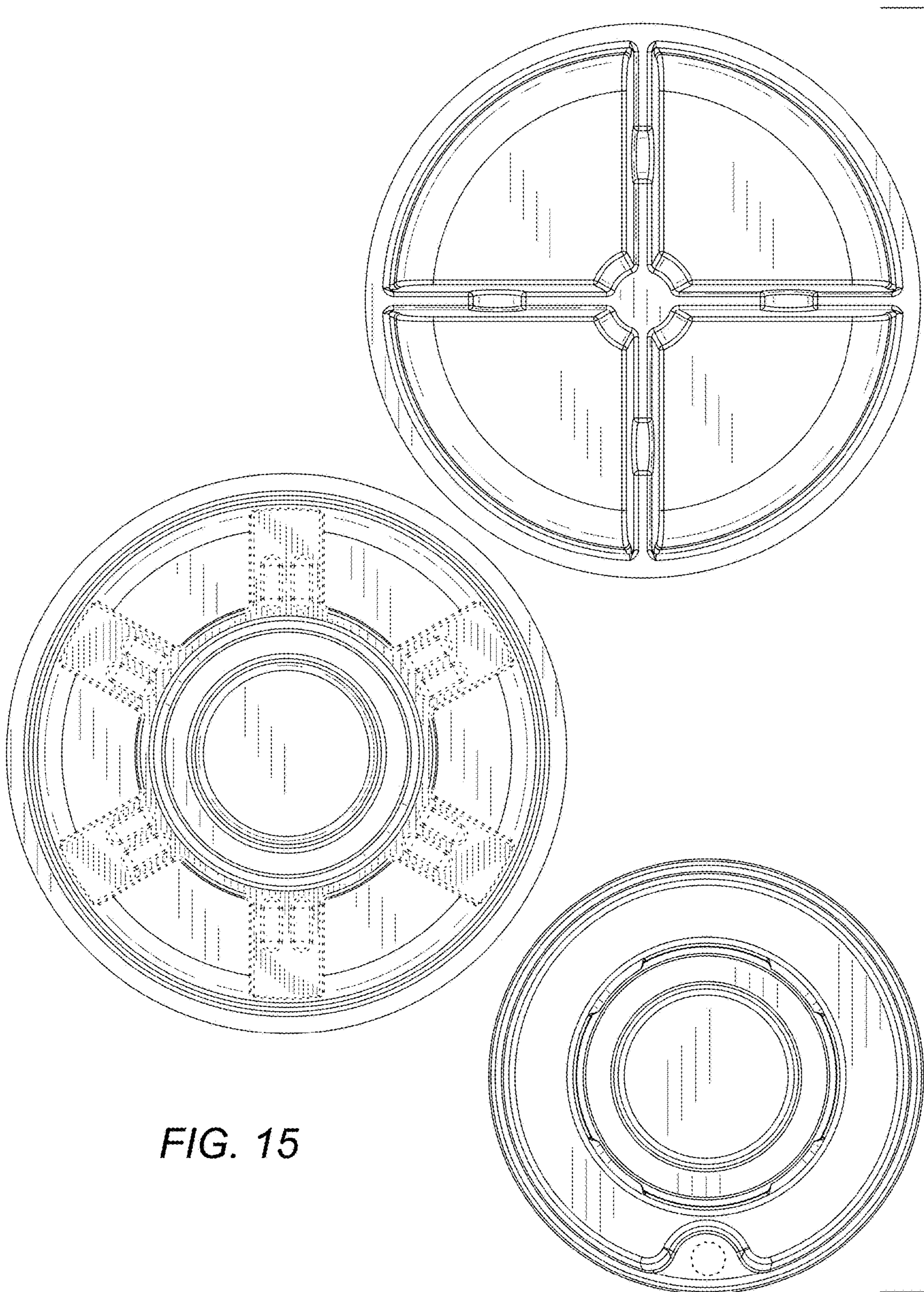


FIG. 15

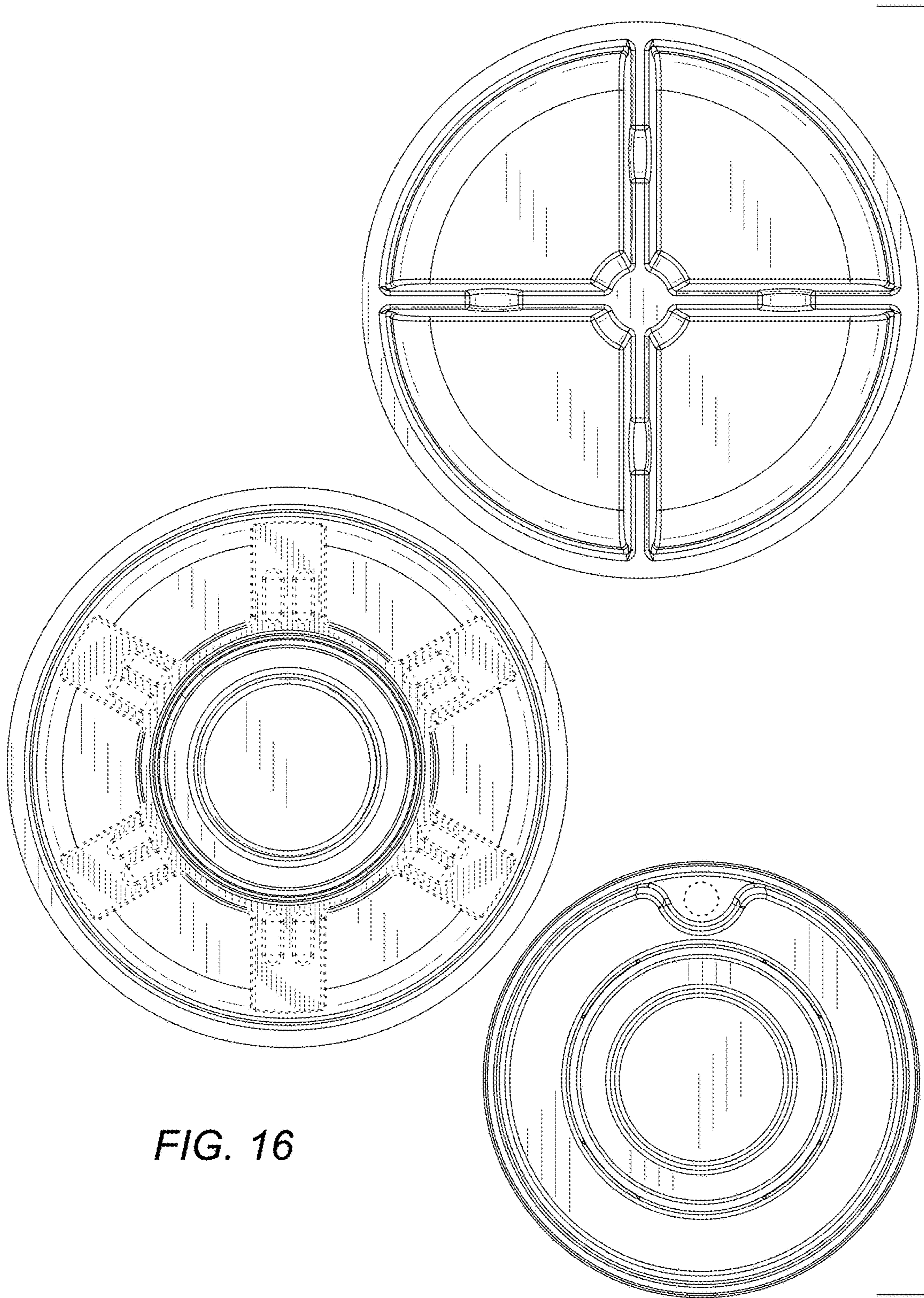


FIG. 16

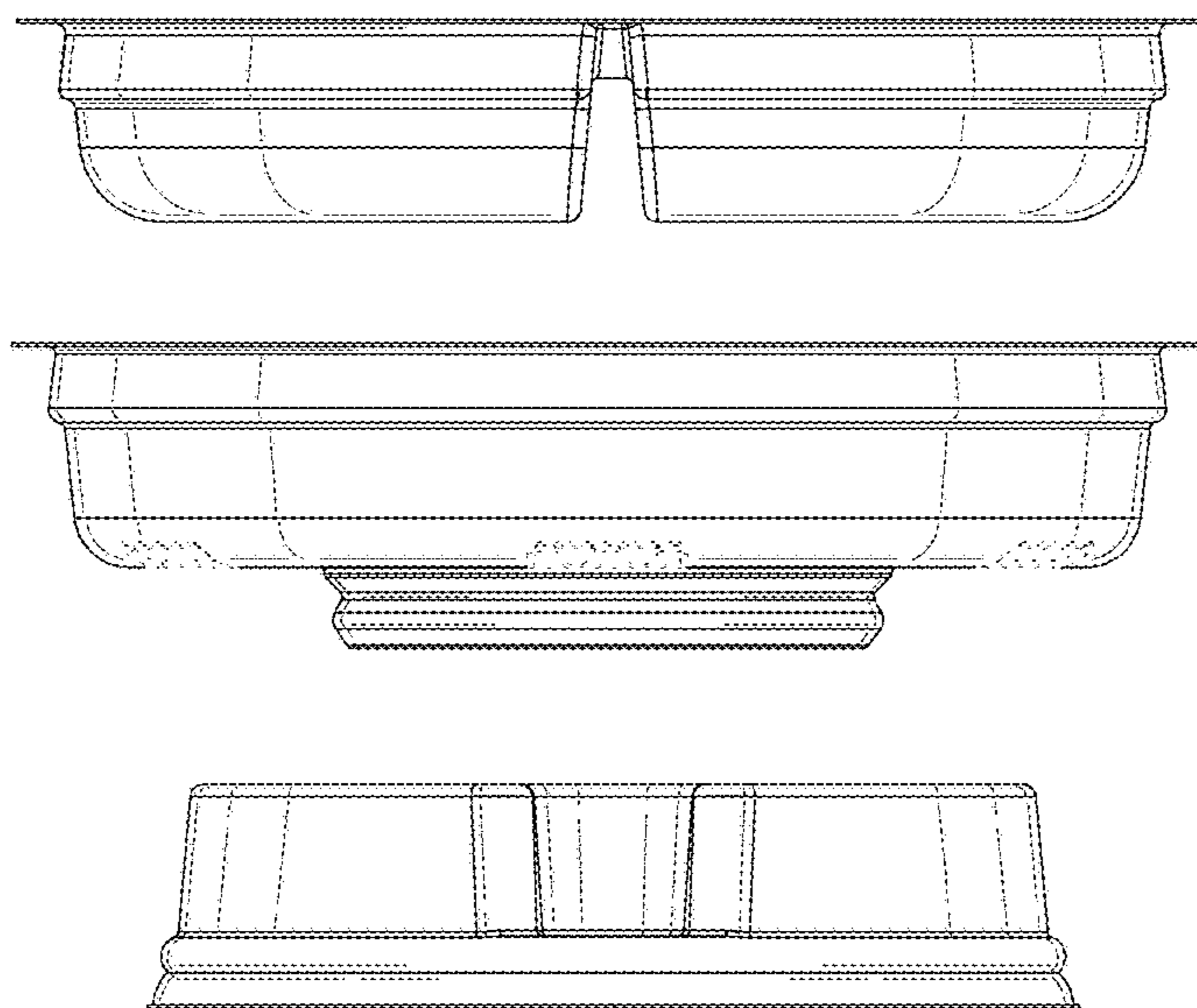


FIG. 17

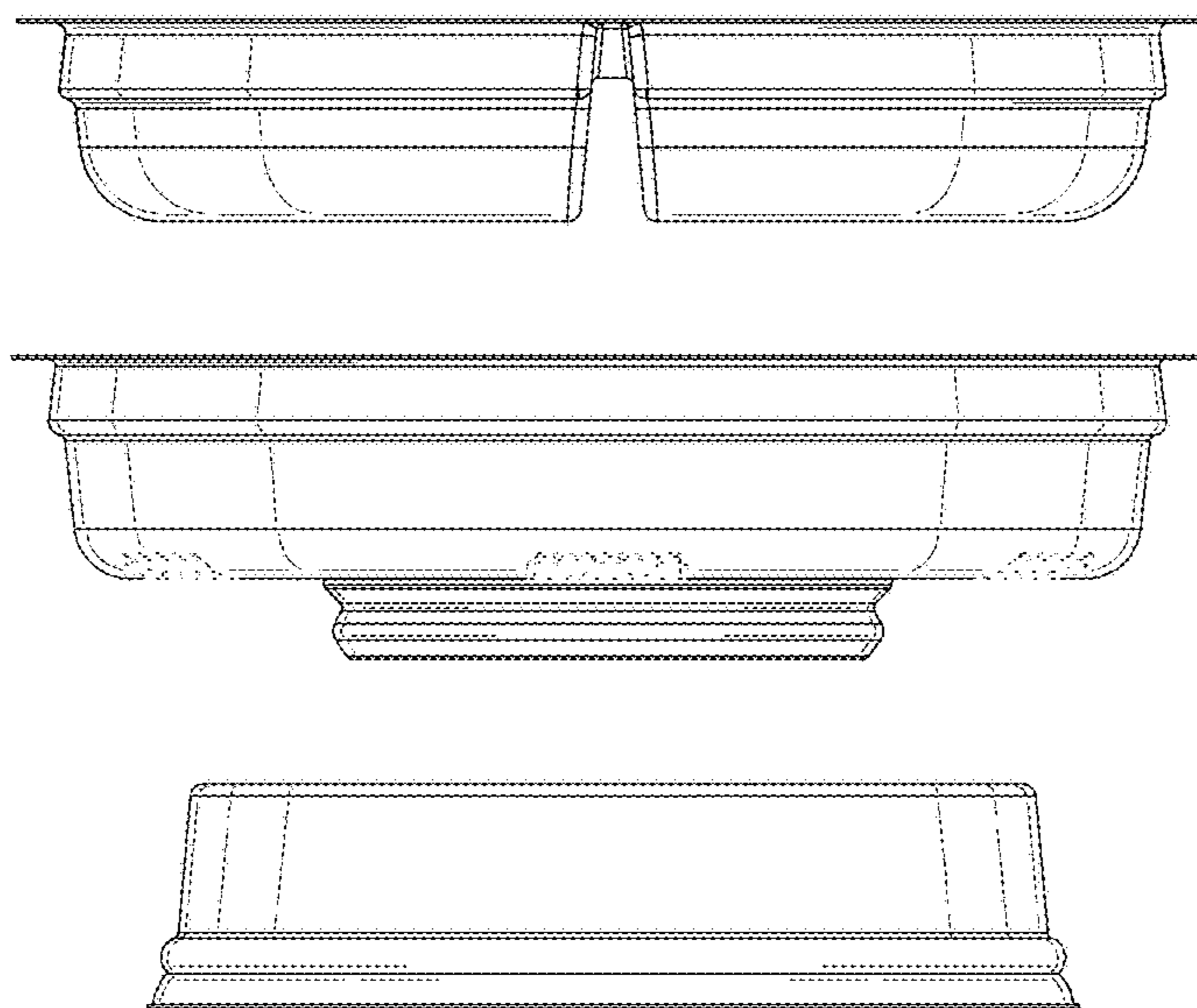


FIG. 18

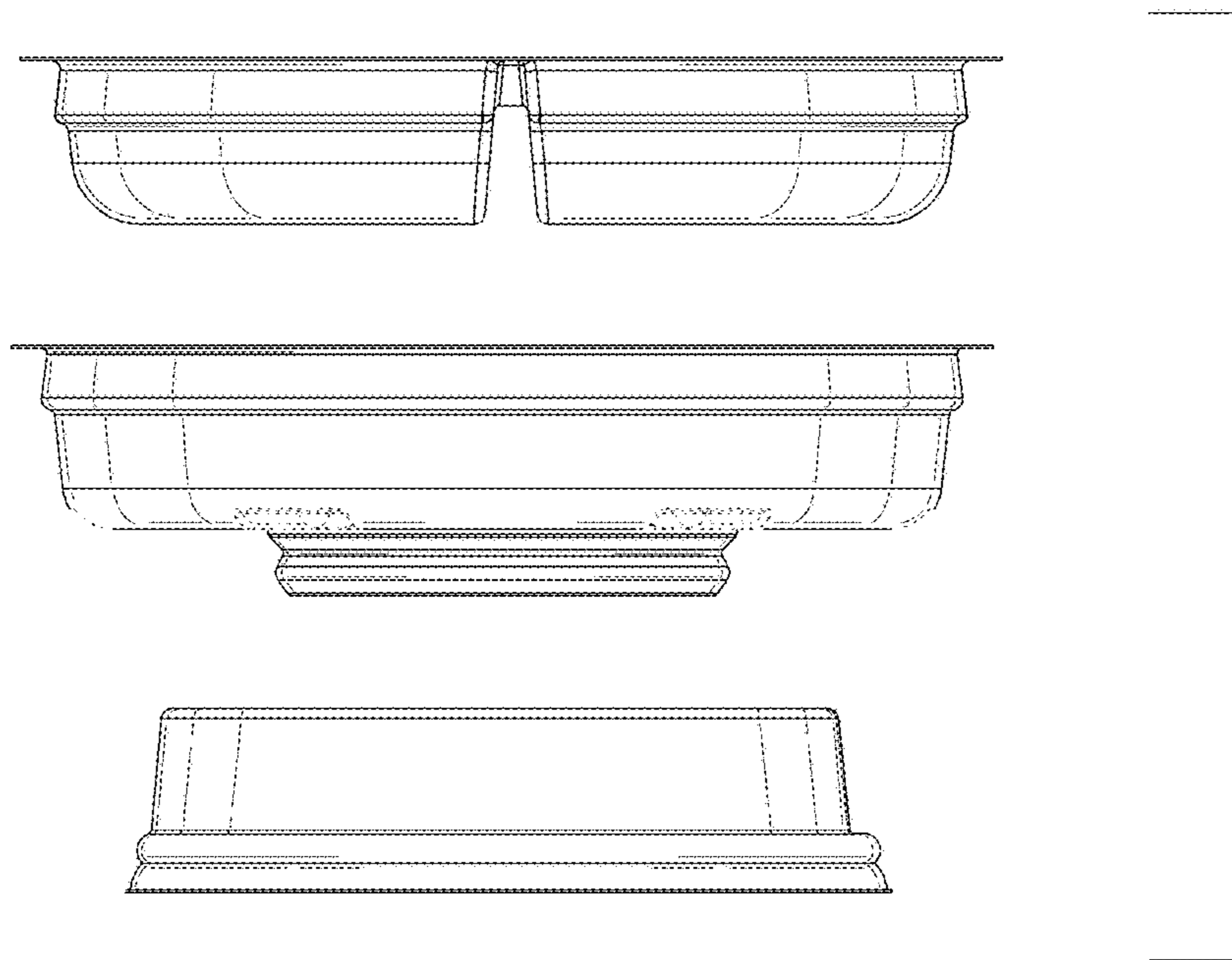


FIG. 19

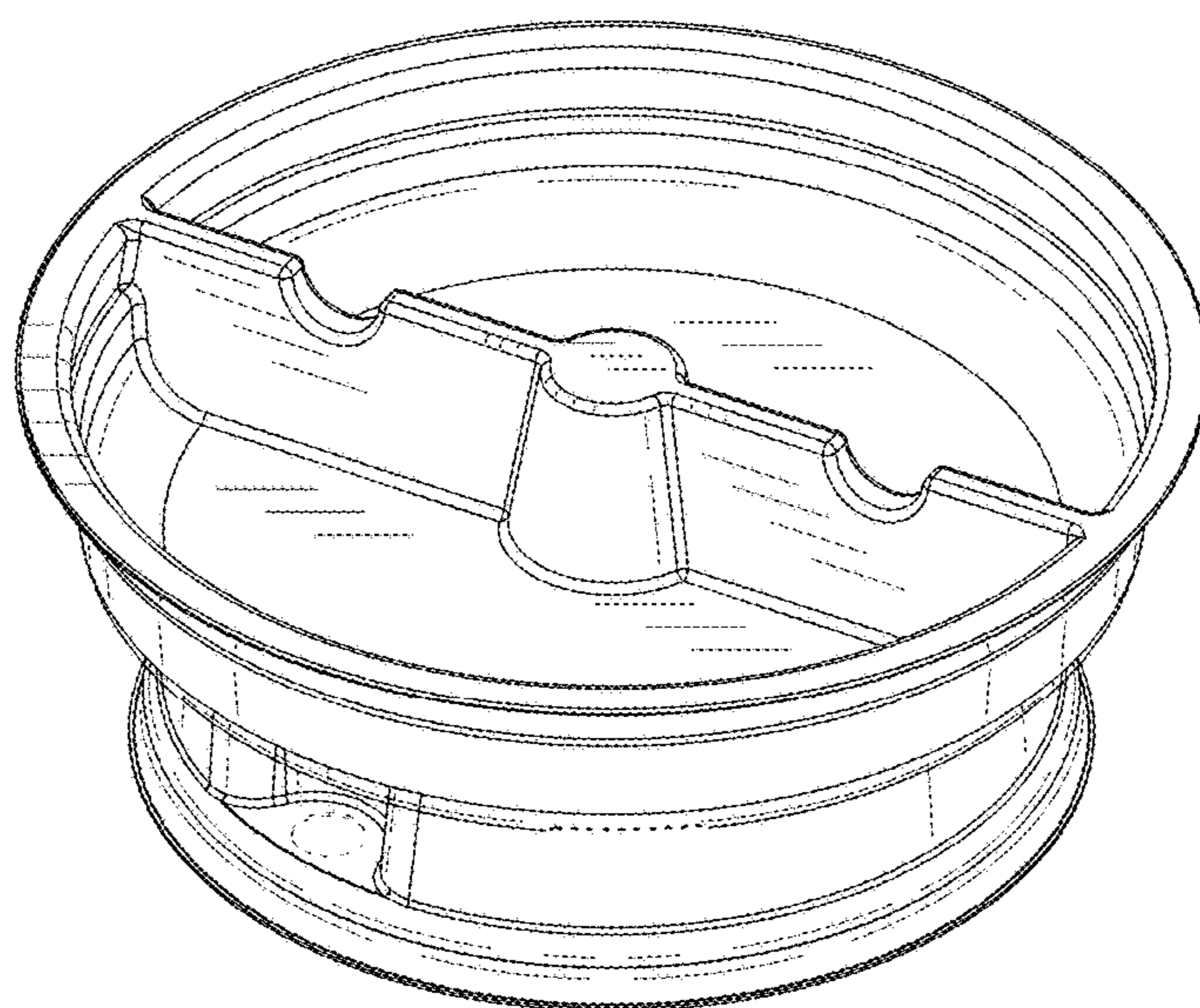


FIG. 20

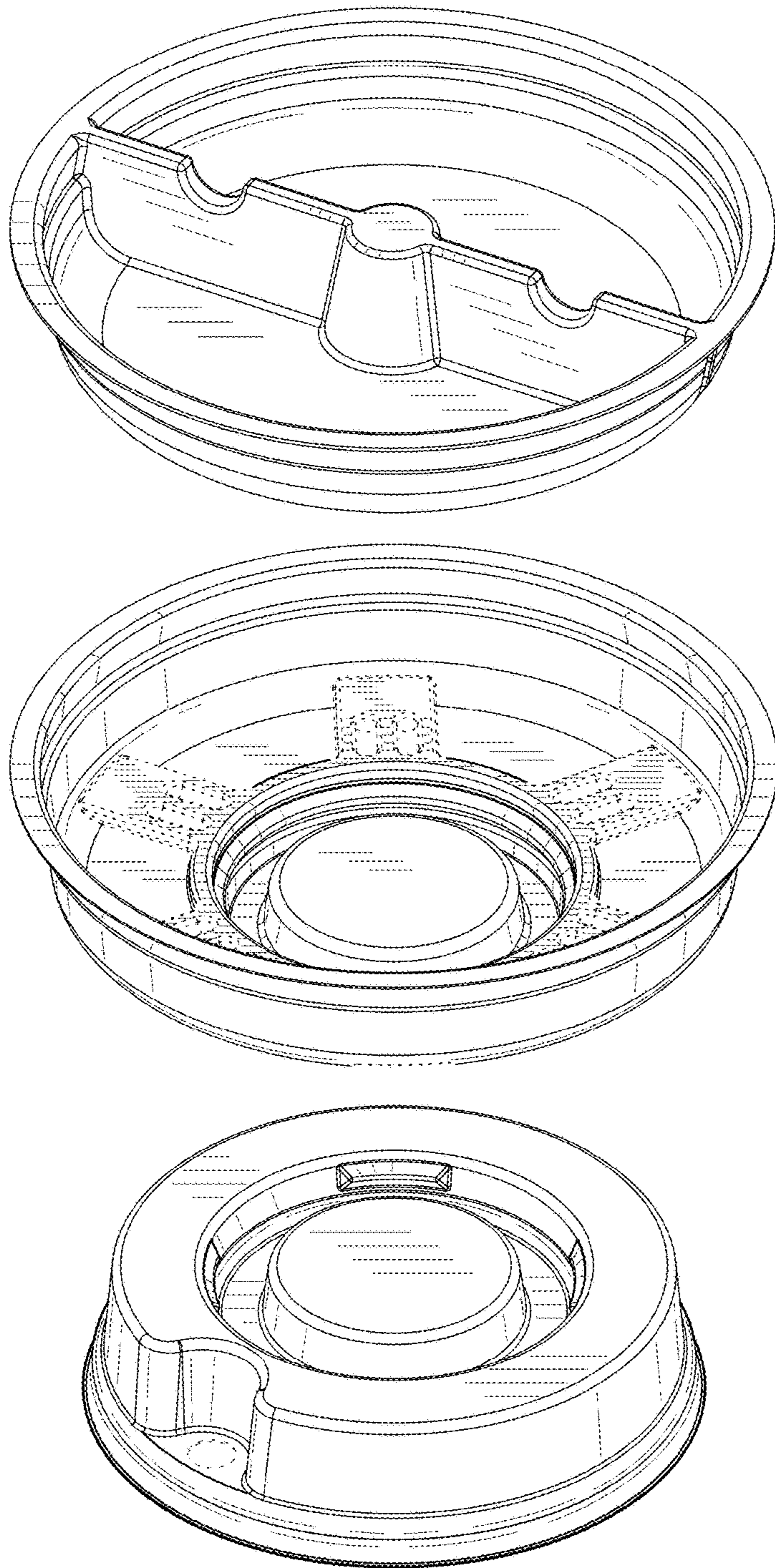


FIG. 21

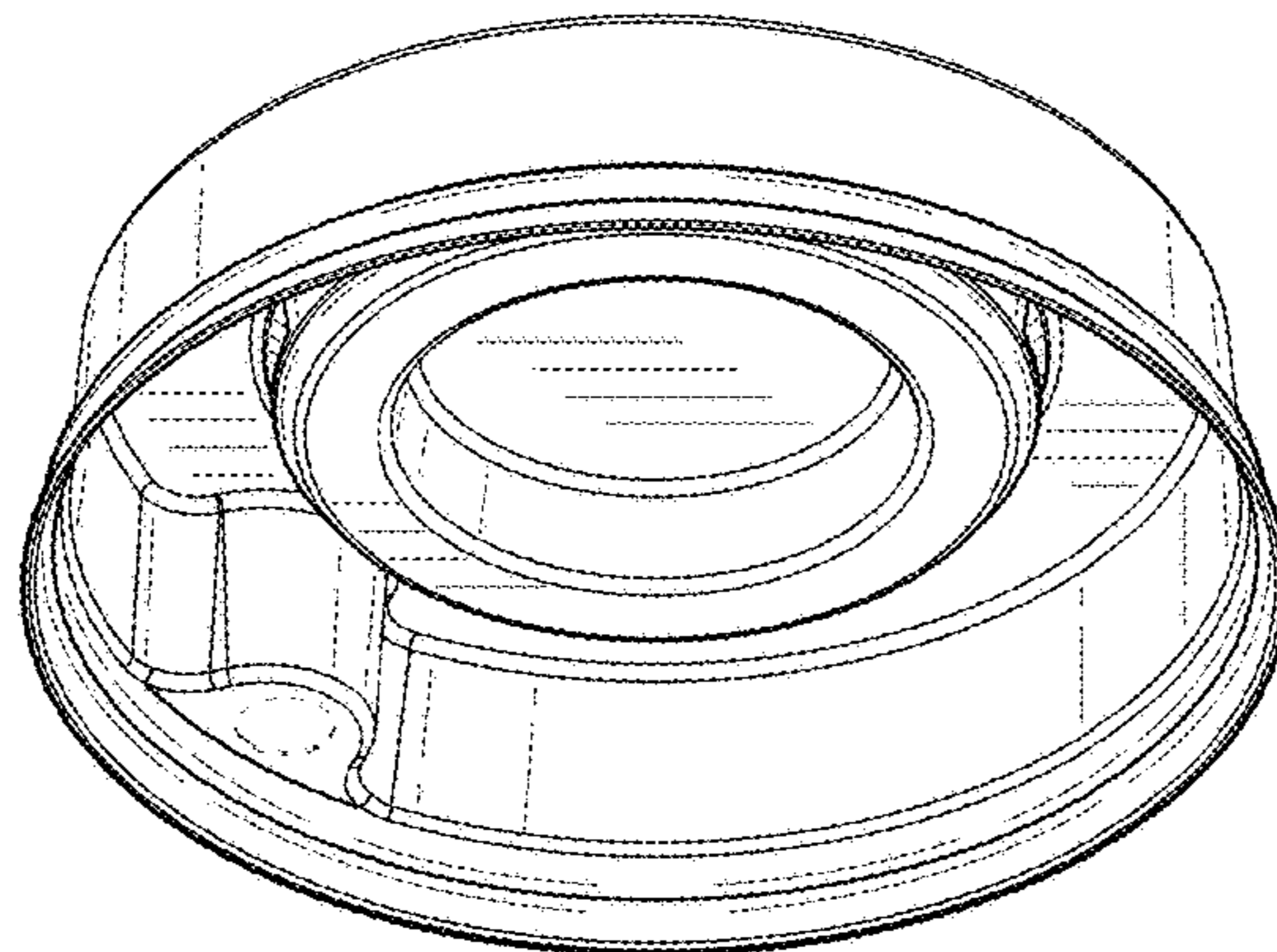
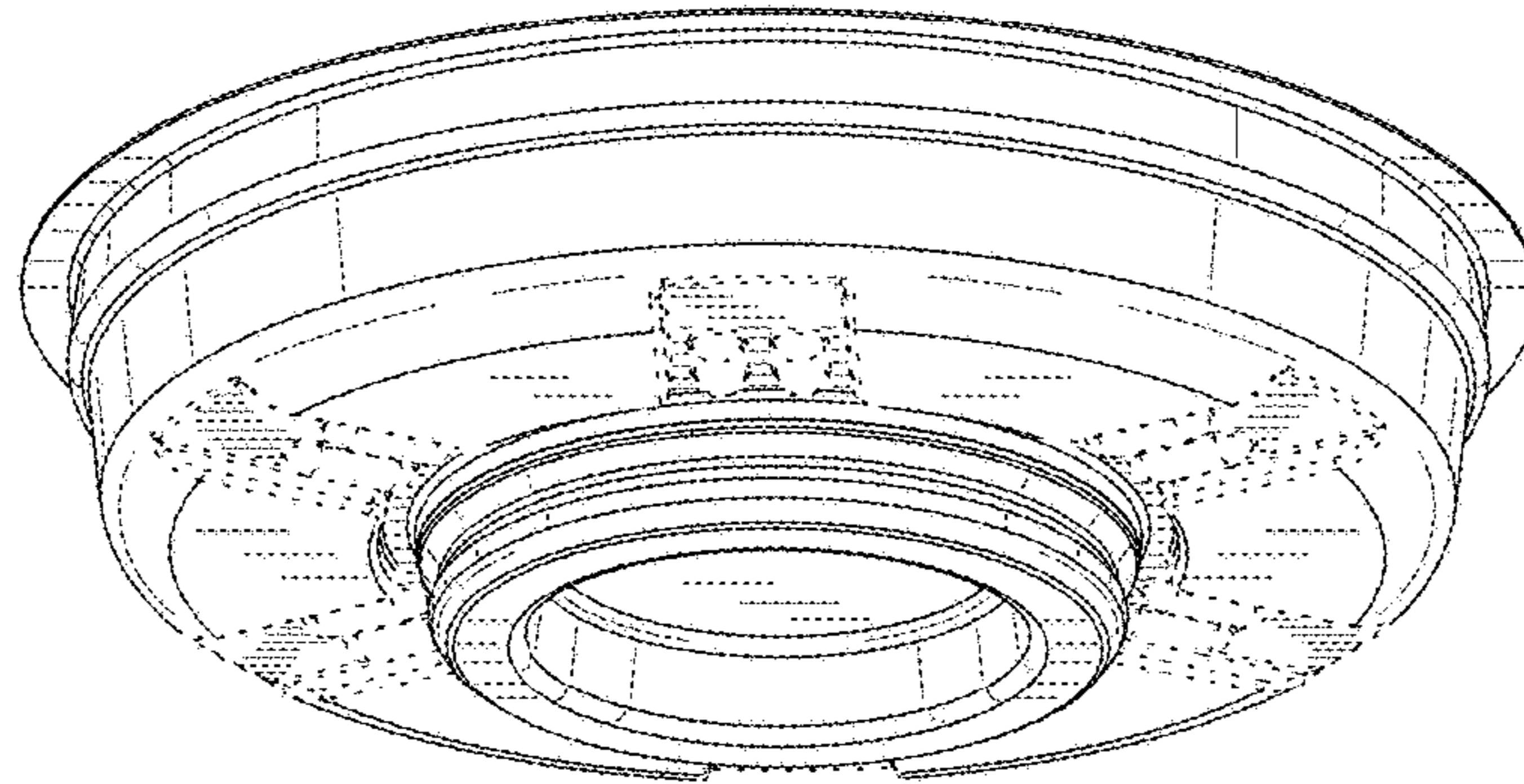
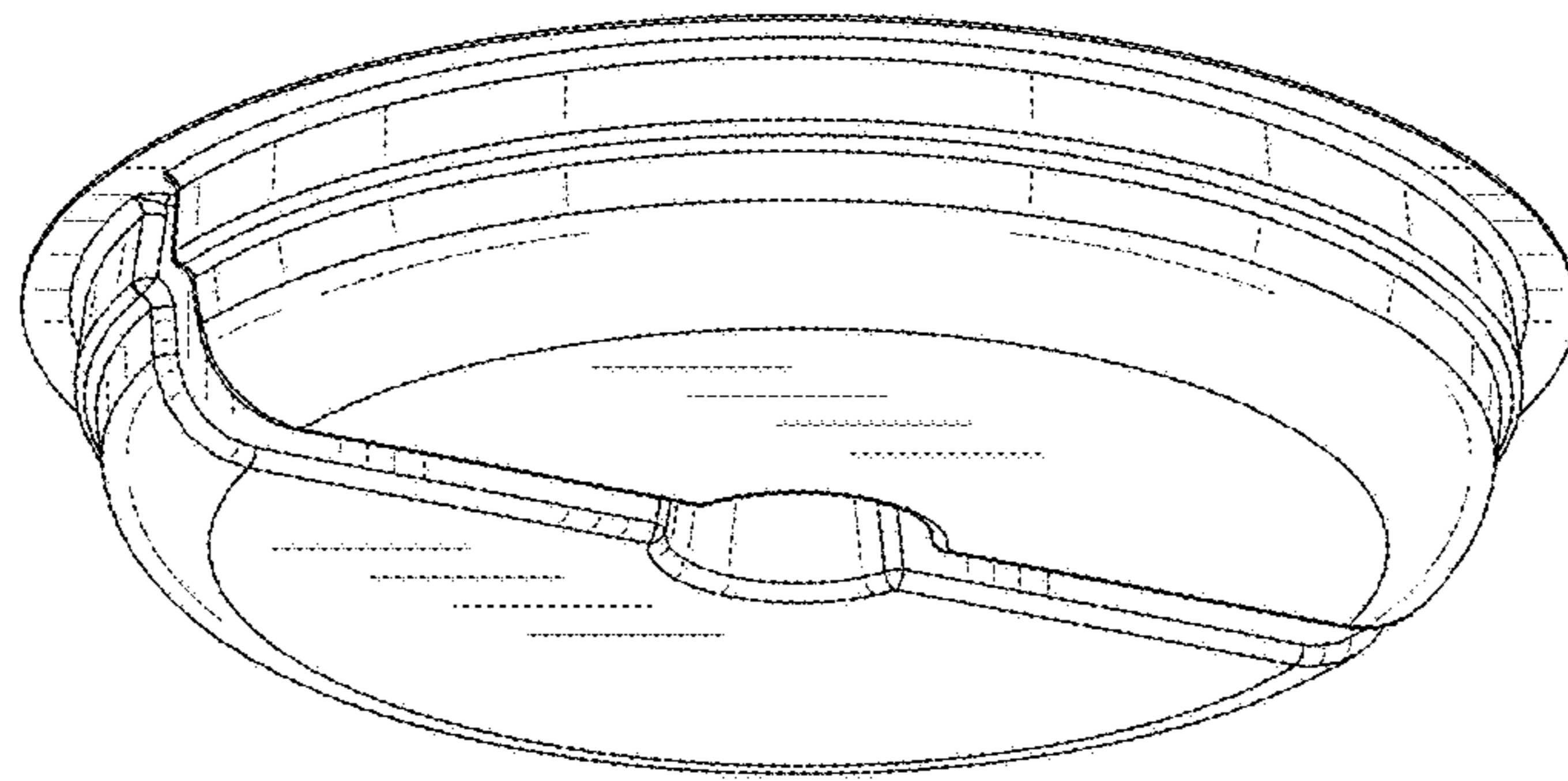


FIG. 22

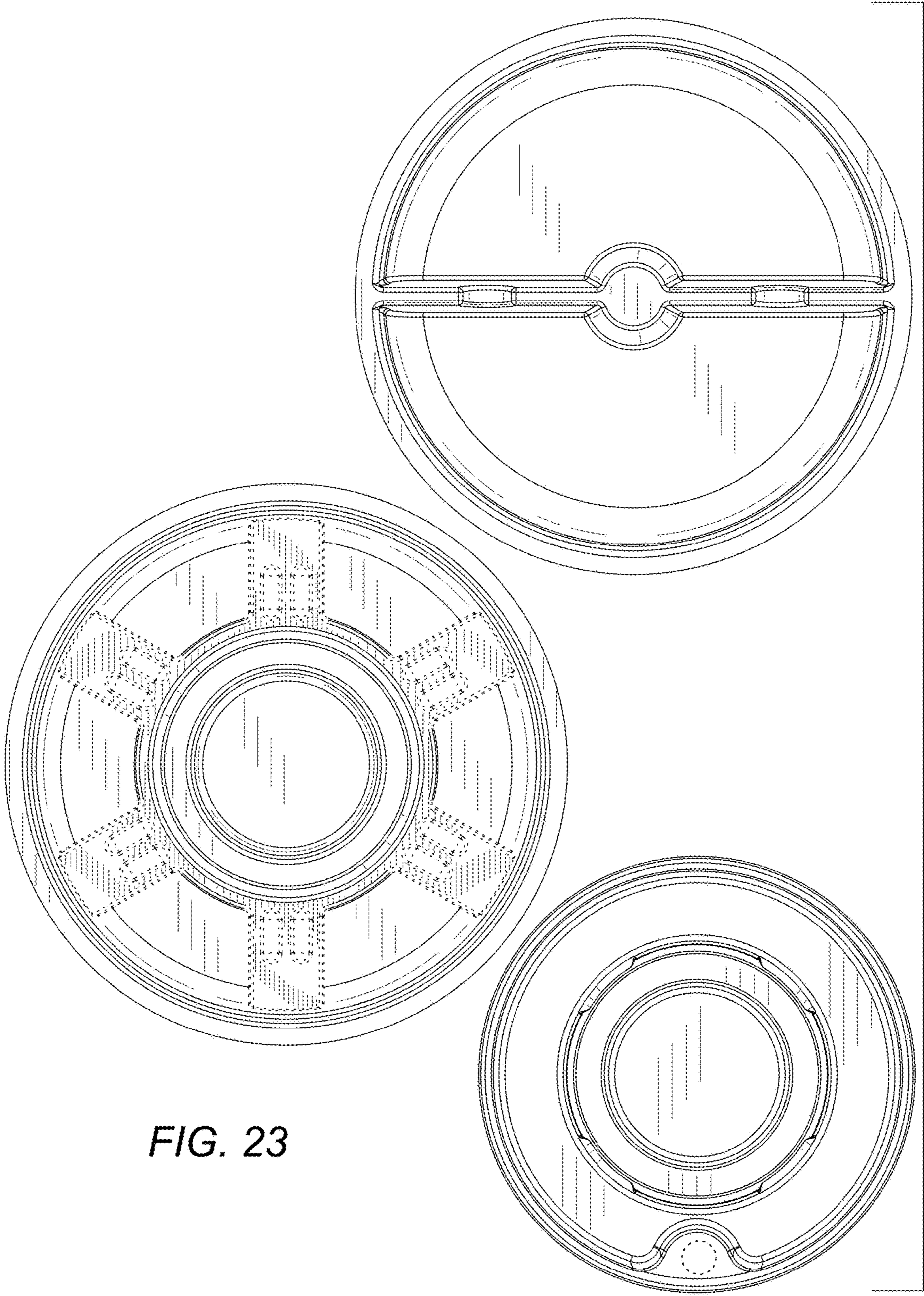


FIG. 23

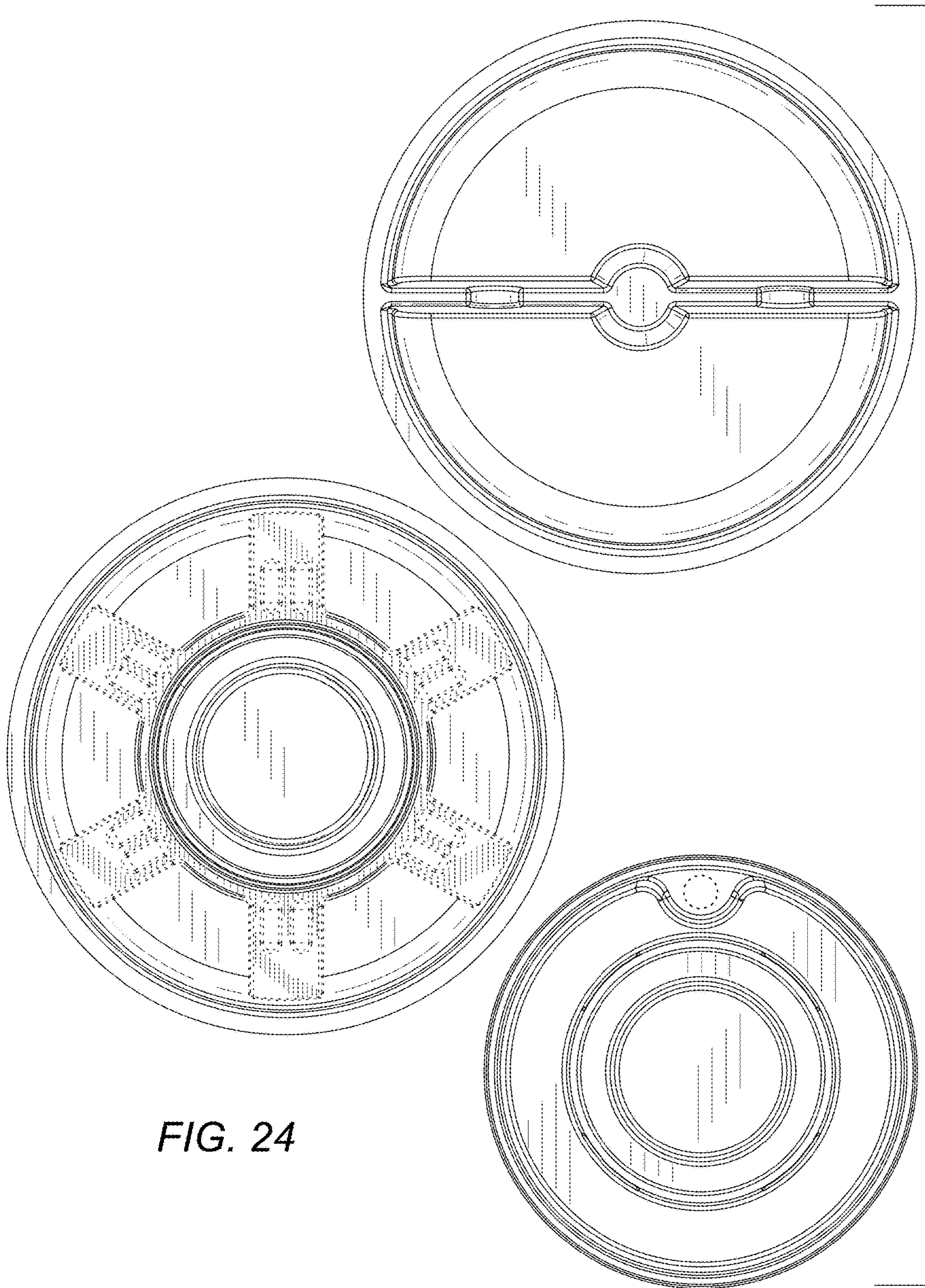


FIG. 24

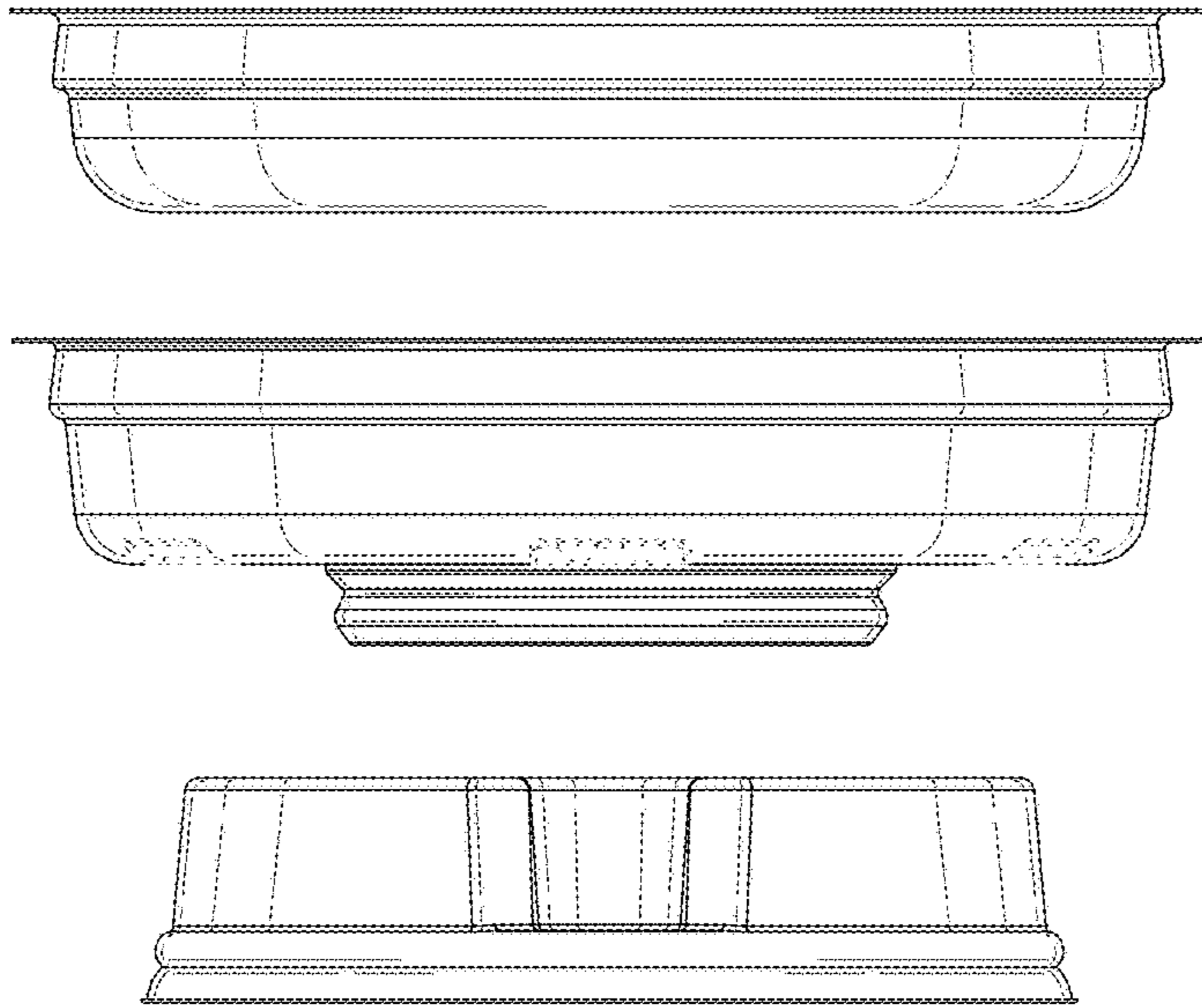


FIG. 25

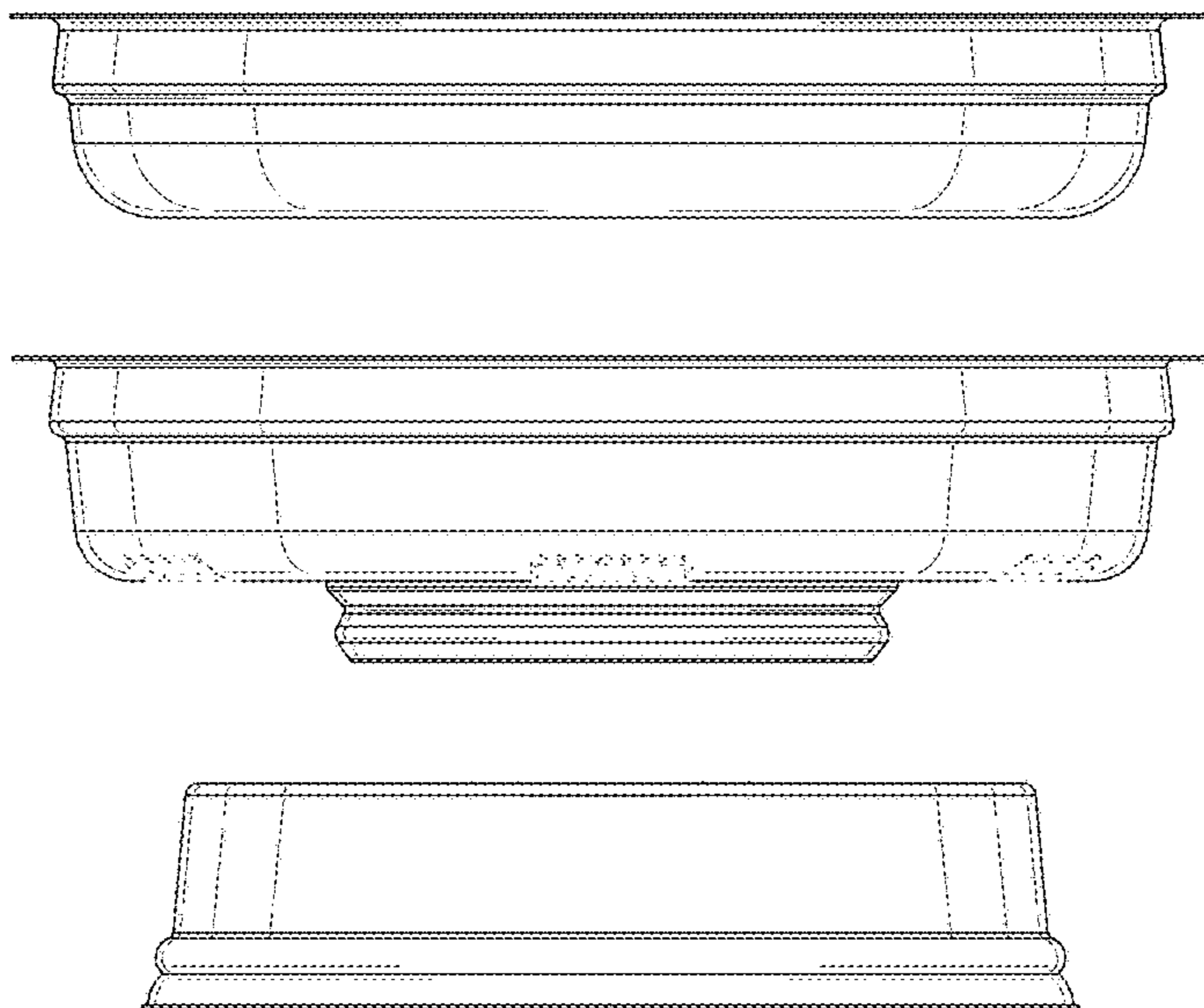


FIG. 26

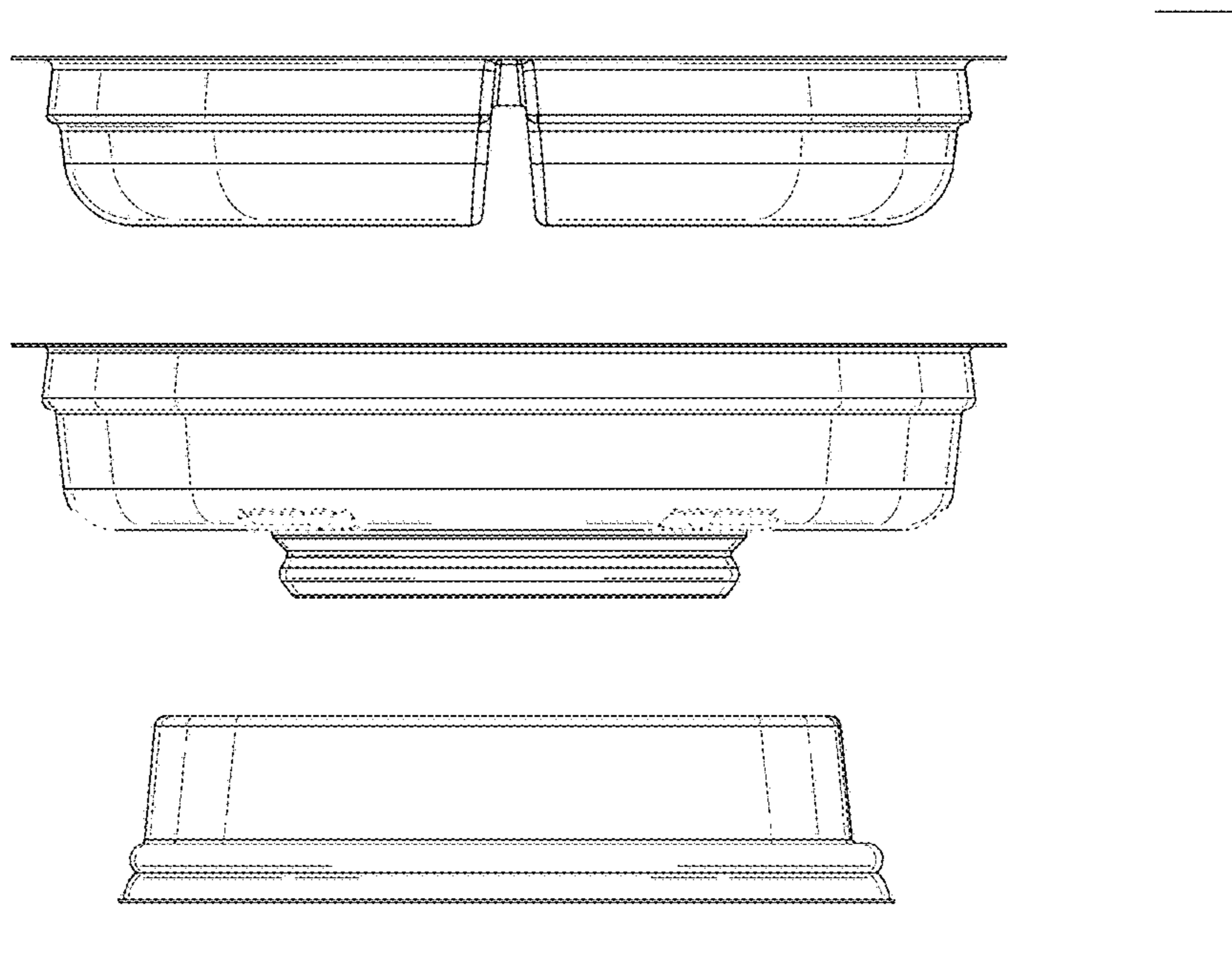


FIG. 27

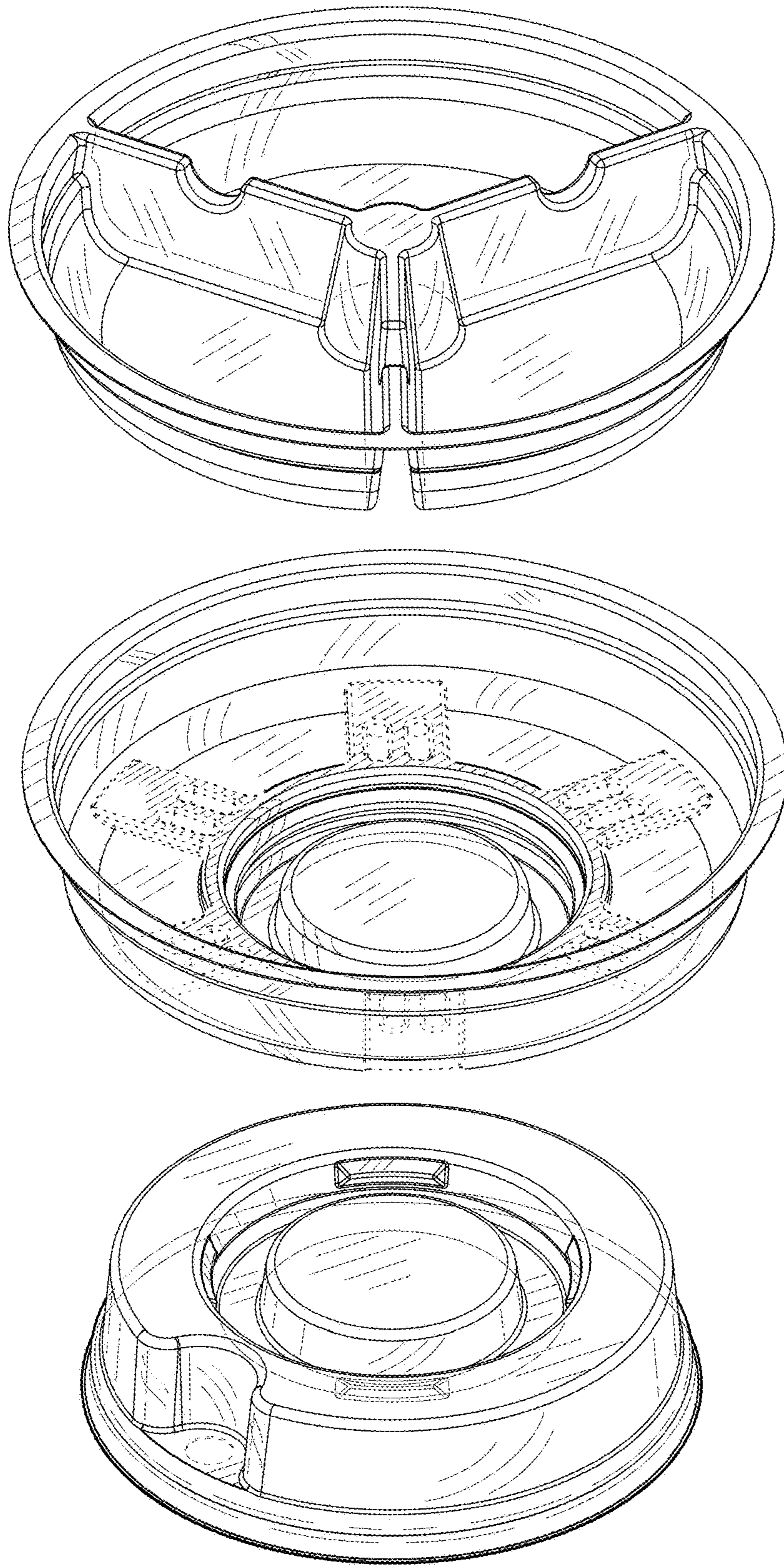


FIG. 28

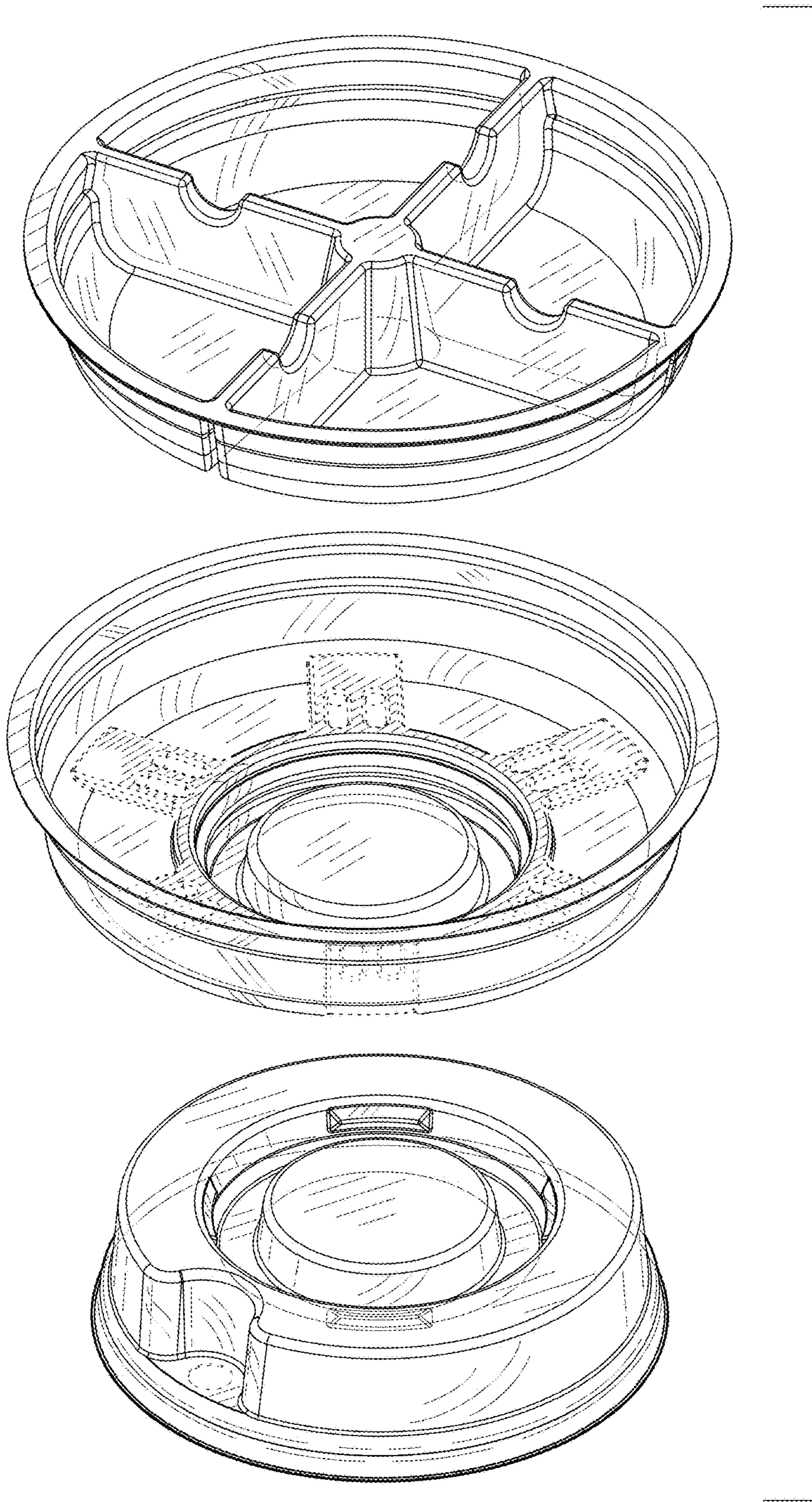


FIG. 29

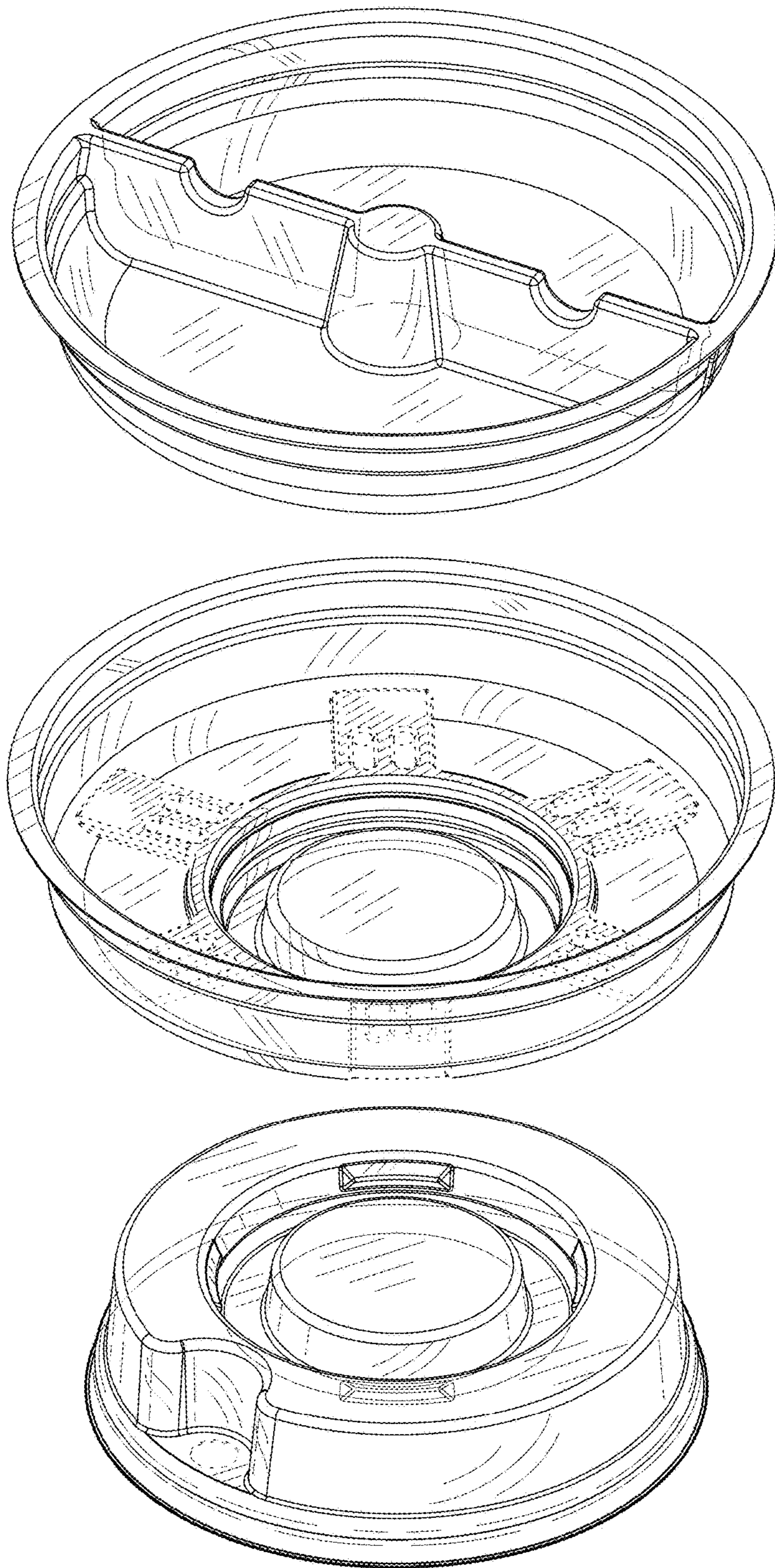


FIG. 30