



US00D859935S

(12) **United States Design Patent**  
**Van't Hof**

(10) **Patent No.:** **US D859,935 S**  
(45) **Date of Patent:** **\*\* Sep. 17, 2019**

(54) **STORAGE DEVICE**

(71) Applicant: **Bev Stow, LLC**, Manhattan Beach, CA  
(US)

(72) Inventor: **Erik Van't Hof**, Manhattan Beach, CA  
(US)

(\*\*) Term: **15 Years**

(21) Appl. No.: **29/614,165**

(22) Filed: **Aug. 16, 2017**

(51) **LOC (12) Cl.** ..... **09-03**

(52) **U.S. Cl.**  
USPC ..... **D7/619.1**

(58) **Field of Classification Search**

USPC ..... D7/213, 387, 600.1-600.4, 619.1, 620,  
D7/701-708; 211/74, 71.01, 70.6, 70.7,  
211/85.18-85.23, 88.01, 90.1, 126.1;  
D3/313, 202; D6/686; D12/111, 114,  
D12/117, 119, 223, 406, 407, 415, 419;  
248/205.1

CPC ..... A01K 99/00; A47B 13/088; A47B 13/16;  
A47B 13/00; A47B 13/003; A47B 37/04;  
A47B 3/00; A47B 73/00; A47B 73/002;  
A47B 73/006; A47B 73/008; A47B  
73/12; A47B 45/00; A47G 23/0225;  
A47G 23/02; A47G 23/0216; A47G  
23/06; A47G 23/0208; A47G 23/0233;  
A47K 1/08; B65D 6/04; B65D 77/0406;  
B65D 23/12; A47F 5/08; A47F 5/0807;  
A47F 5/0815; A47F 5/0846; A47F  
5/0838; A47F 7/00; A47F 7/28; A47F  
7/283; D05B 91/14; A45F 5/00; F25D  
25/02; F16B 47/00; A62C 13/78; B01D  
35/30; B26J 11/00; B62J 11/02; A45C  
13/001

See application file for complete search history.

(56) **References Cited**

**U.S. PATENT DOCUMENTS**

2,005,939 A 6/1935 Hibbard, Jr.  
2,008,315 A 7/1935 Schmidt  
2,666,613 A 1/1954 Astleford  
3,313,508 A 4/1967 Mancl

(Continued)

**FOREIGN PATENT DOCUMENTS**

CN 102564036 A 7/2012  
CN 202485321 U 10/2012

(Continued)

**OTHER PUBLICATIONS**

U.S. Appl. No. 15/842,454, filed Dec. 14, 2017, and its ongoing prosecution history, including without limitation Office Actions, Amendments, Remarks, references cited in the prosecution history, and any other potentially relevant documents.

*Primary Examiner* — Derrick E Holland

*Assistant Examiner* — Andrew Kerr

(57) **CLAIM**

The ornamental design for a storage device, as shown and described.

**DESCRIPTION**

FIG. 1 is a first perspective view a storage device, showing our new design;

FIG. 2 is a second perspective view thereof;

FIG. 3 is a first side view thereof;

FIG. 4 is a second side view thereof;

FIG. 5 is a top view thereof;

FIG. 6 is a bottom view thereof;

FIG. 7 is a front view thereof;

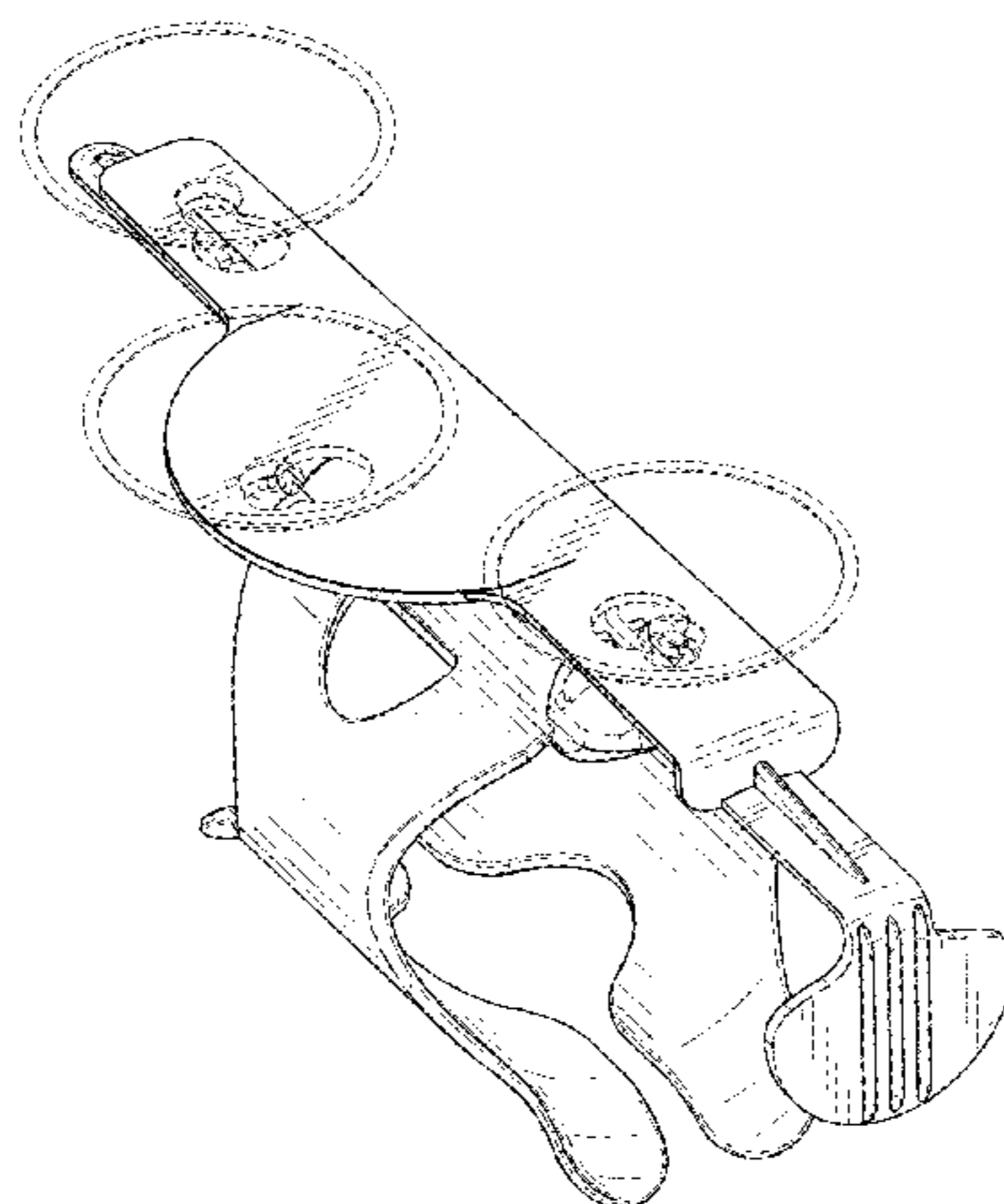
FIG. 8 is a back view thereof;

FIG. 9 is an exploded view thereof; and,

FIG. 10 is third perspective view thereof.

The broken lines showing portions of the storage device are for the purpose of illustrating environmental structure and form no part of the claimed design.

**1 Claim, 10 Drawing Sheets**



(56)

References Cited

U.S. PATENT DOCUMENTS

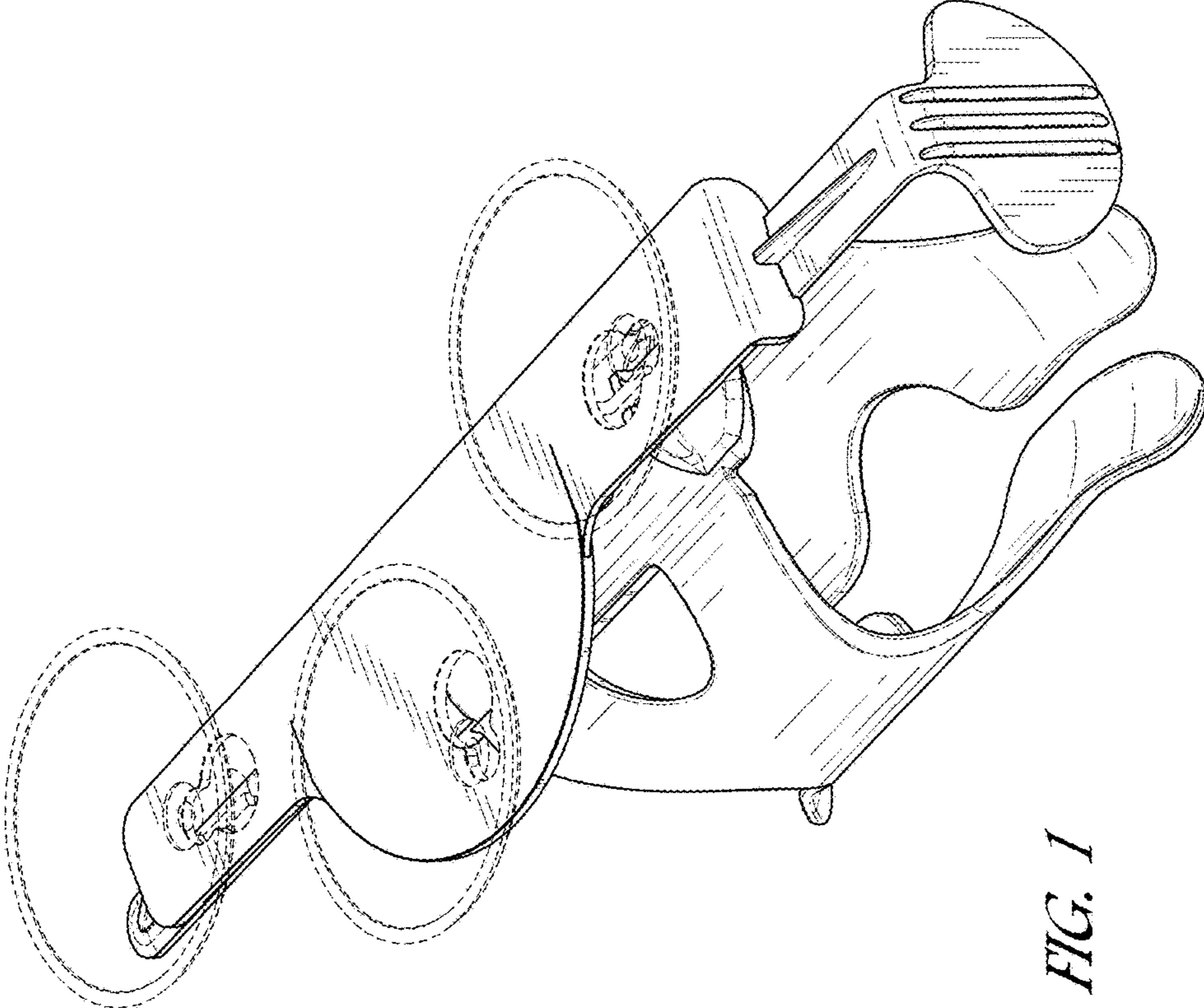
3,372,812 A 3/1968 Parcels  
 3,565,384 A \* 2/1971 Lockwood ..... A62C 13/78  
 211/85.18  
 3,844,459 A 10/1974 Chambers  
 4,345,704 A 8/1982 Boughton  
 4,366,922 A \* 1/1983 Levine ..... B62J 11/00  
 224/414  
 4,936,641 A 6/1990 Bussan et al.  
 4,944,566 A 7/1990 Carper  
 4,951,910 A 8/1990 March  
 5,226,707 A 7/1993 Han et al.  
 5,244,272 A 9/1993 Thompson  
 5,323,917 A 6/1994 Johnson et al.  
 5,325,991 A 7/1994 Williams  
 5,626,407 A 5/1997 Westcott  
 5,813,741 A 9/1998 Fish et al.  
 D408,991 S \* 5/1999 Perez ..... D3/229  
 6,032,841 A \* 3/2000 Johnson ..... A45F 5/02  
 224/148.6  
 6,220,557 B1 \* 4/2001 Ziaylek ..... A62C 13/78  
 248/154  
 6,286,798 B1 9/2001 Chun  
 D468,591 S \* 1/2003 Lillelund ..... D7/590  
 6,523,705 B2 \* 2/2003 Henderson ..... A47F 7/283  
 211/181.1  
 6,932,449 B2 8/2005 Collins et al.  
 D517,314 S \* 3/2006 Moyer ..... D3/229  
 7,063,219 B2 6/2006 Fann et al.  
 7,216,721 B2 \* 5/2007 Jacobson ..... A62C 13/78  
 169/30  
 7,404,534 B1 \* 7/2008 Hajianpour ..... A45F 5/02  
 224/419  
 7,677,407 B2 3/2010 Davis

7,726,499 B2 \* 6/2010 Williamson ..... A47G 23/0241  
 215/396  
 7,802,697 B2 9/2010 Martin  
 7,909,202 B1 \* 3/2011 Gordon ..... B65D 23/106  
 220/737  
 7,918,204 B2 \* 4/2011 Gignac ..... B01D 35/30  
 123/195 A  
 D637,457 S \* 5/2011 Thompson ..... D7/600.1  
 D638,662 S \* 5/2011 Pyle ..... D7/620  
 7,950,755 B2 5/2011 Vardon  
 7,950,756 B2 5/2011 Collins et al.  
 7,984,806 B2 7/2011 Matheou  
 D655,986 S \* 3/2012 Schneider ..... D6/566  
 8,302,615 B2 \* 11/2012 Thiebaut ..... A45D 34/041  
 132/112  
 D789,756 S \* 6/2017 MacDonald ..... D7/701  
 D792,104 S \* 7/2017 Candell ..... D3/316  
 D795,023 S \* 8/2017 Gazibara ..... D7/622  
 10,131,393 B2 \* 11/2018 Chuang ..... B62J 9/02  
 D842,948 S \* 3/2019 Sandoval ..... D21/694  
 2004/0178709 A1 9/2004 Zimmerman  
 2005/0183637 A1 8/2005 Reeser  
 2005/0184113 A1 \* 8/2005 Capritta ..... B65D 51/242  
 224/148.7  
 2006/0219648 A1 10/2006 Vinals Calduch  
 2008/0251552 A1 10/2008 Bell  
 2009/0189027 A1 7/2009 Brown  
 2010/0175420 A1 7/2010 Kim  
 2011/0120173 A1 5/2011 Olefson  
 2013/0213986 A1 8/2013 Couvelier  
 2016/0120307 A1 \* 5/2016 Salani ..... A47B 73/006  
 206/776

FOREIGN PATENT DOCUMENTS

CN 203116415 U 8/2013  
 EP 1711762 B1 10/2010

\* cited by examiner



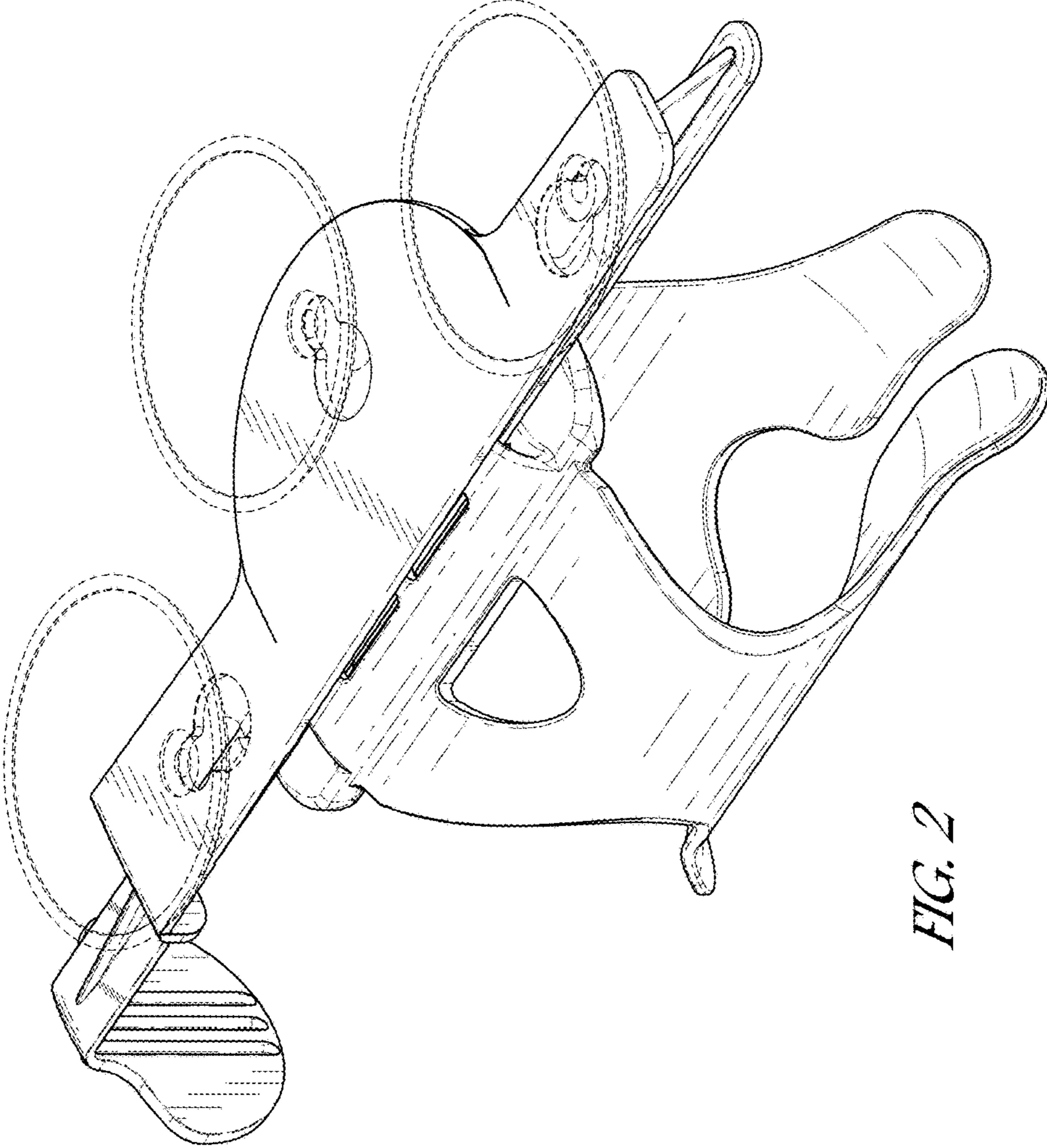


FIG. 2

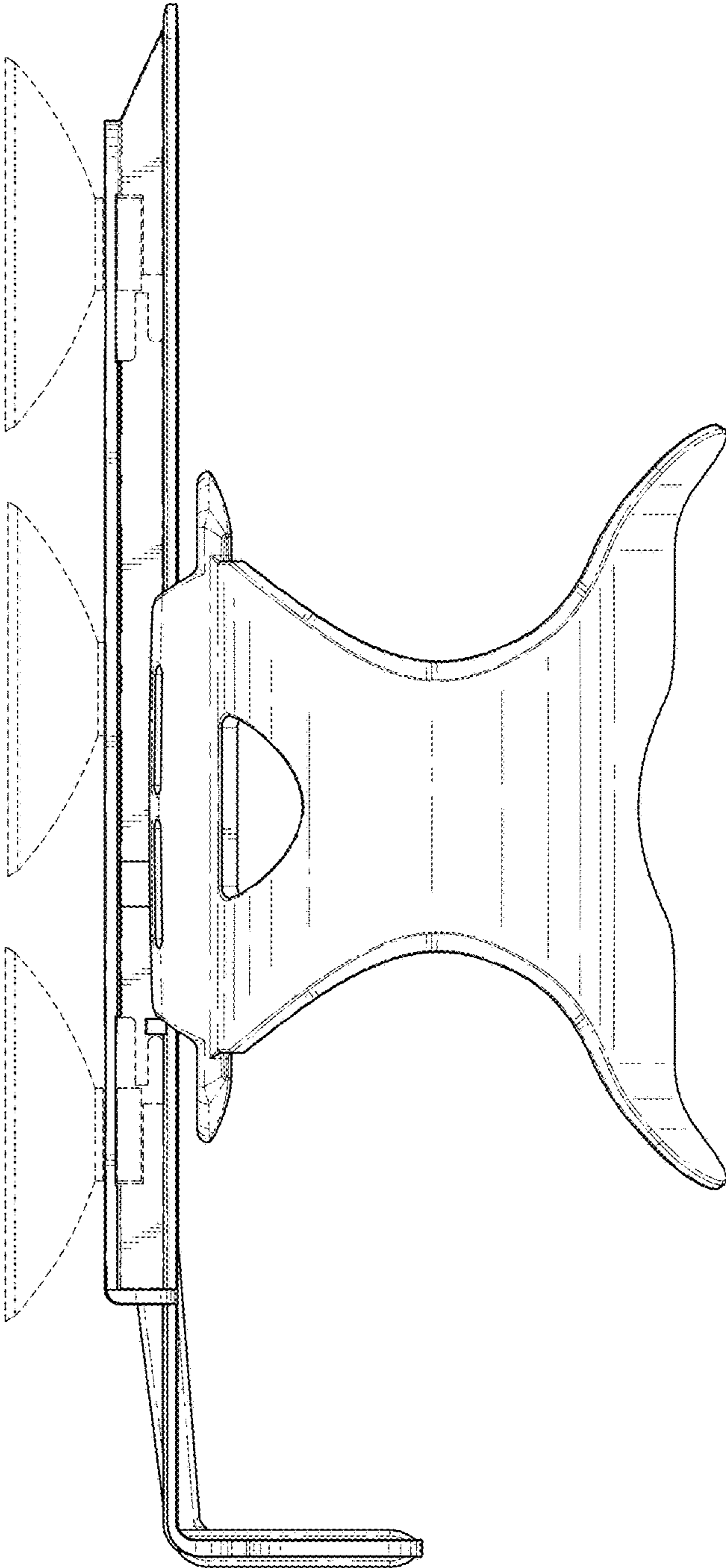


FIG. 3

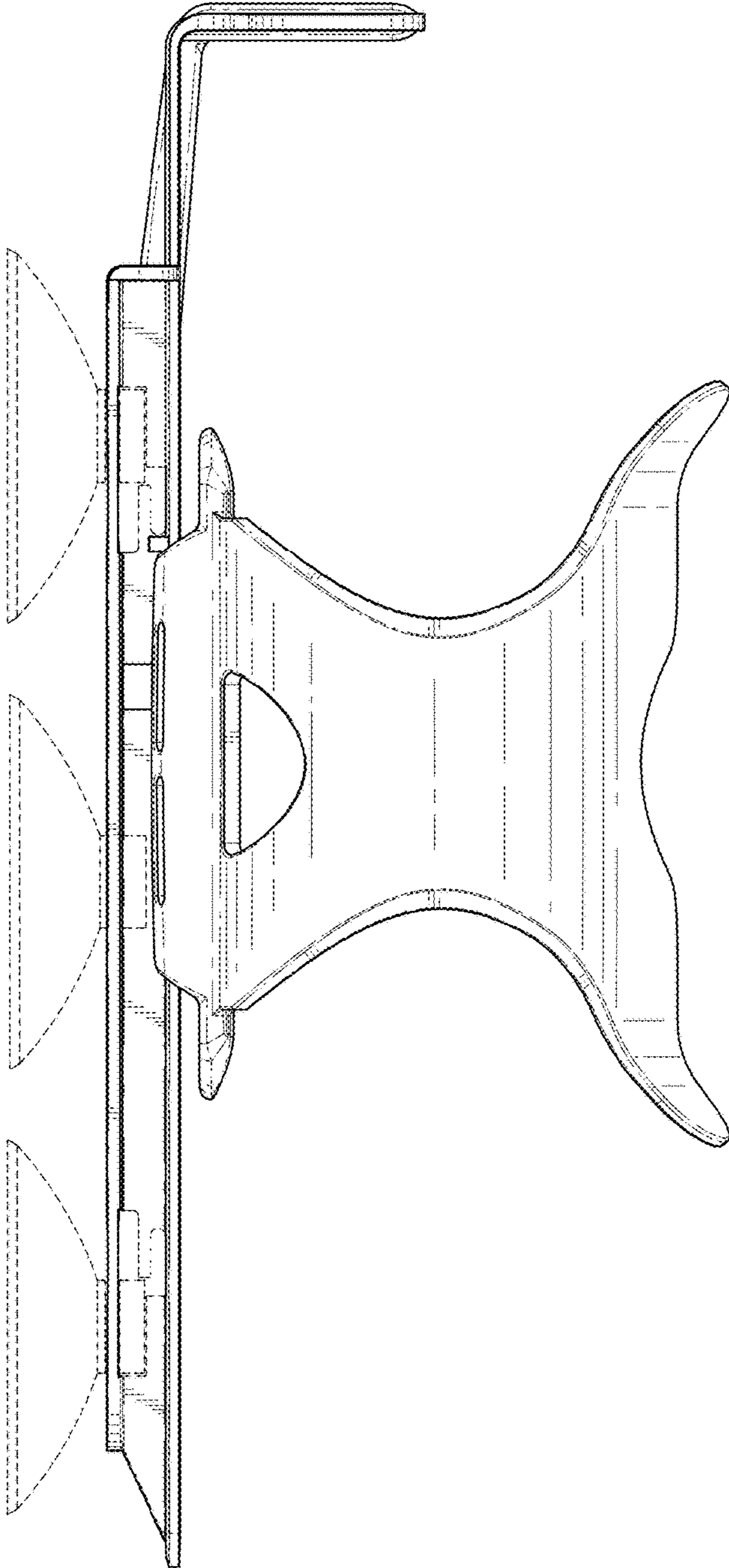


FIG. 4

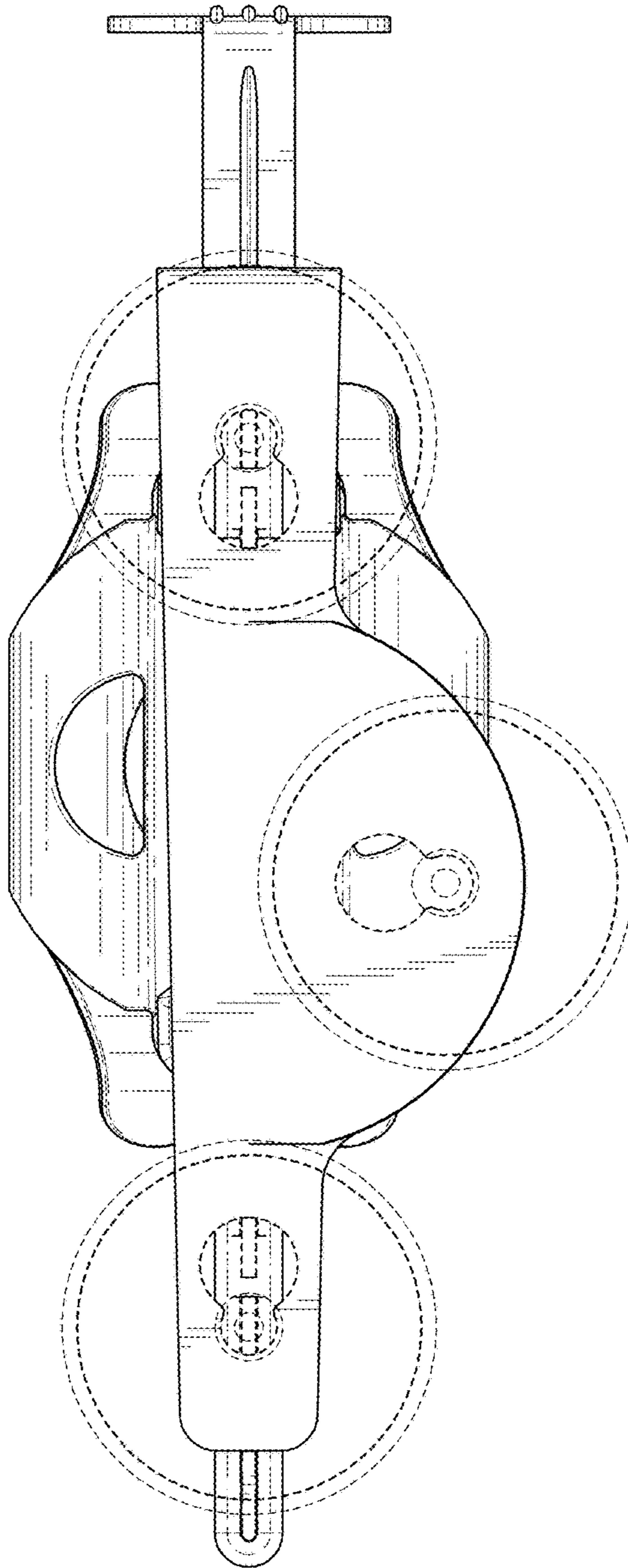


FIG. 5

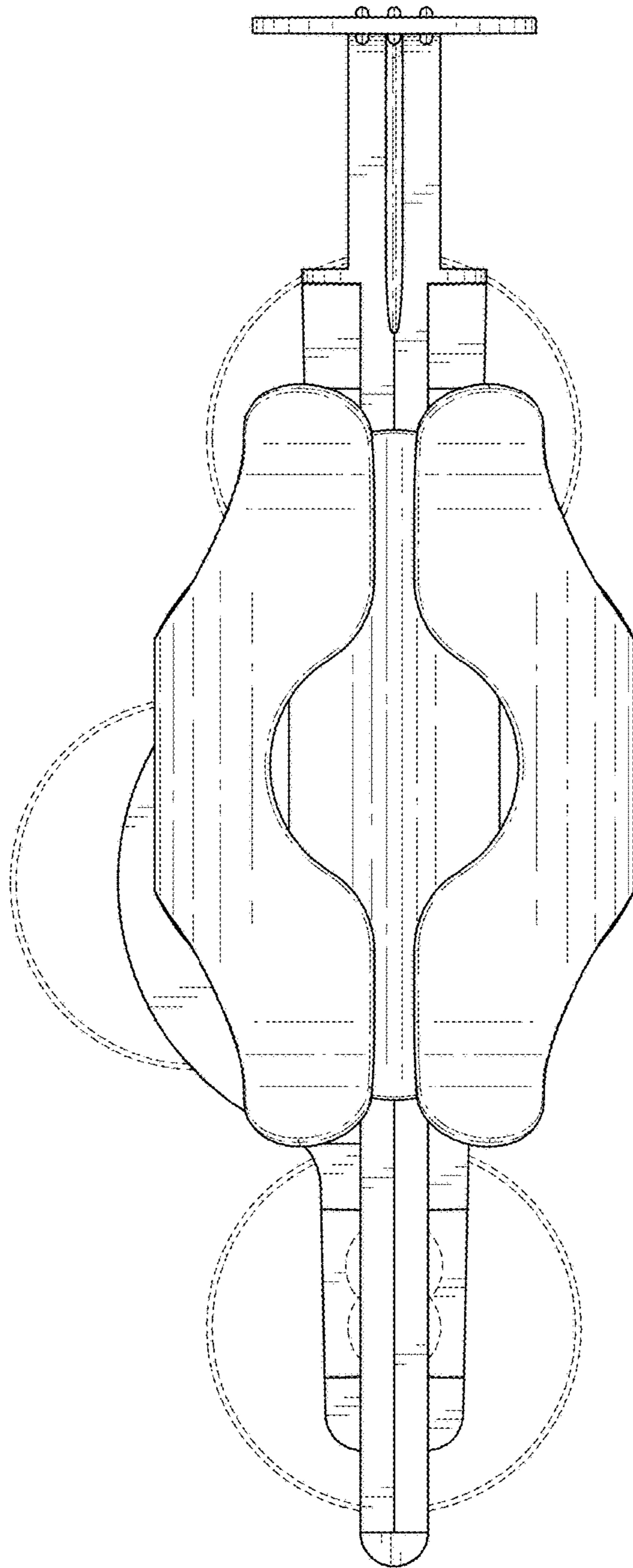
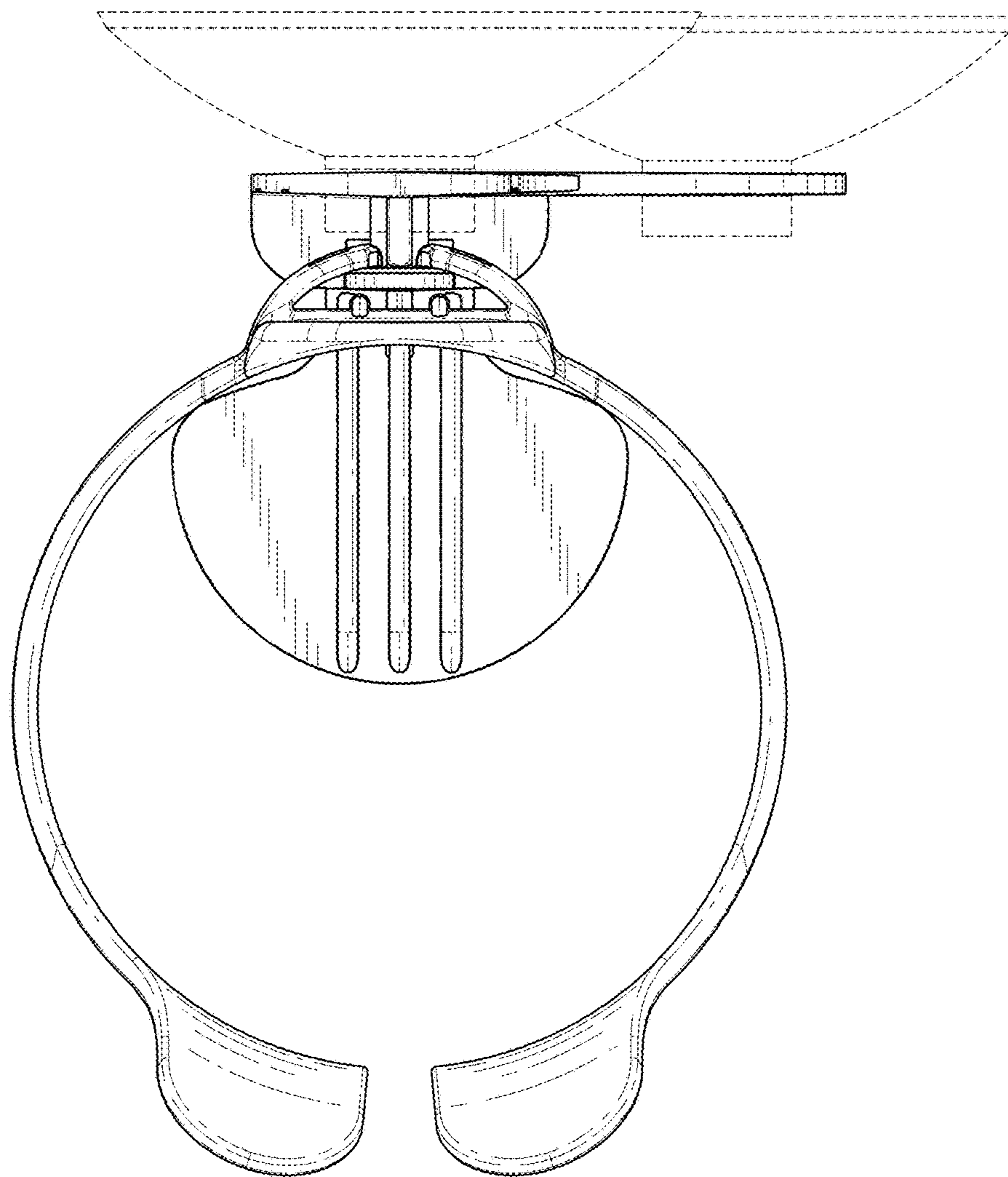
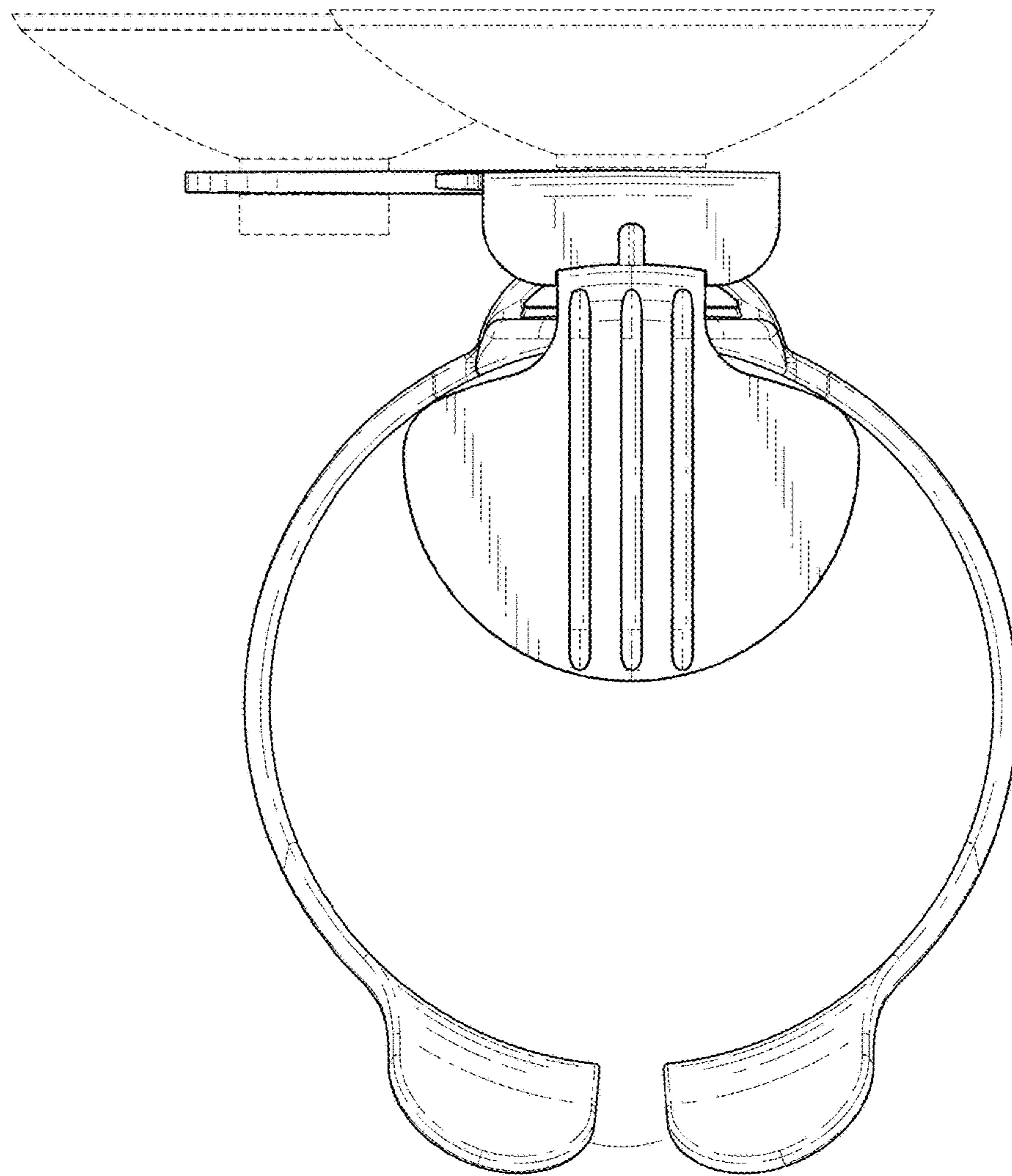


FIG. 6





*FIG. 7*



*FIG. 8*

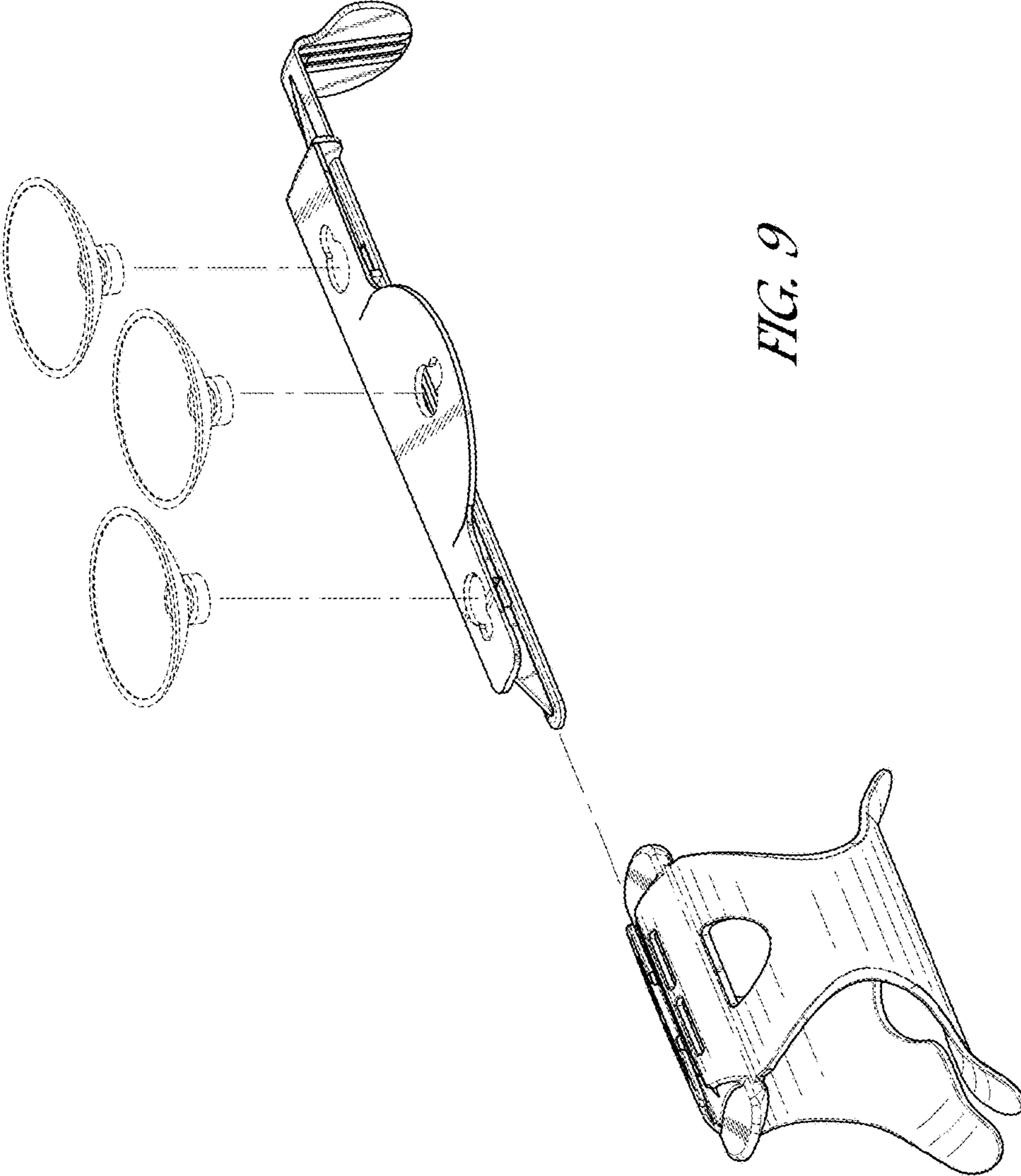
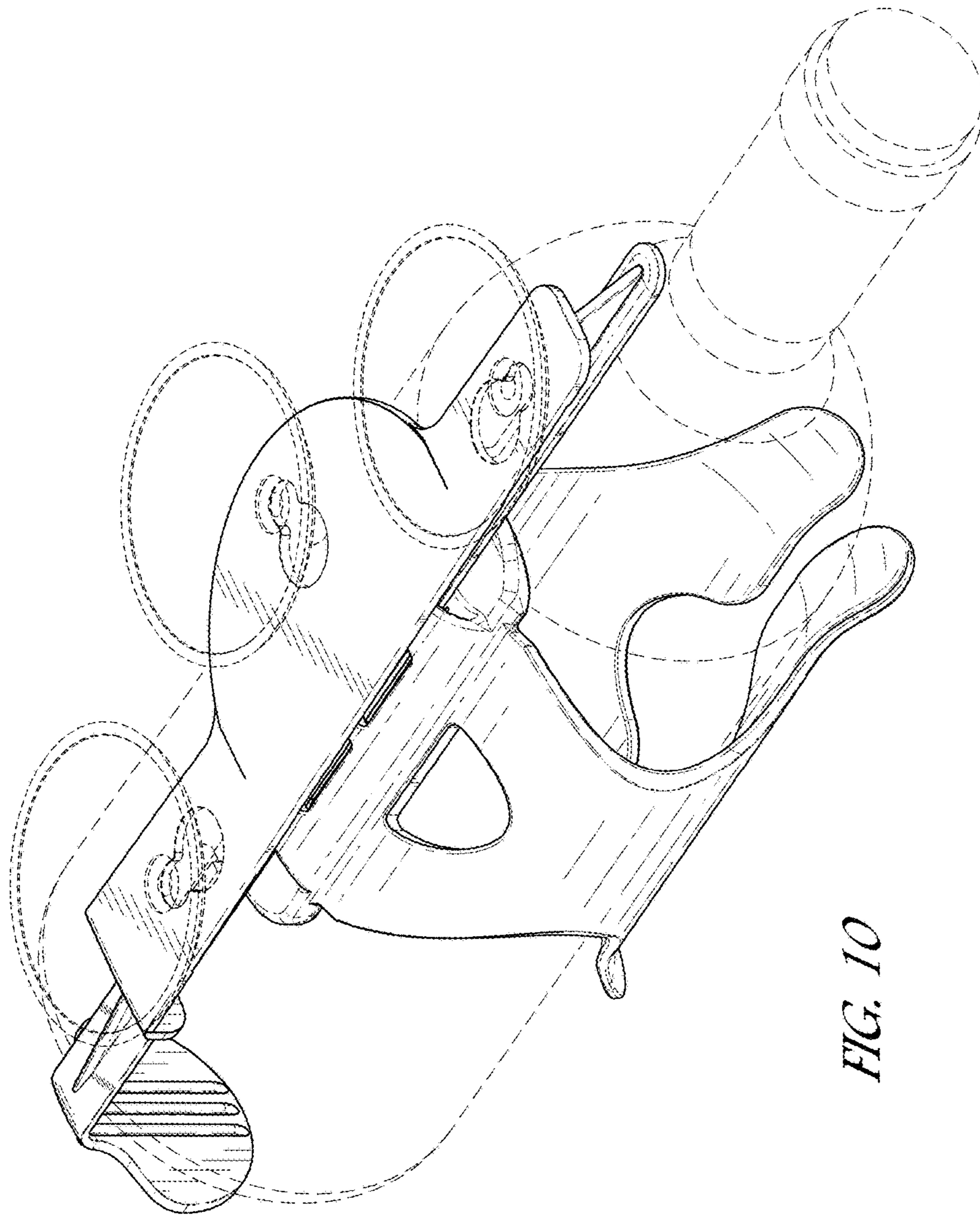


FIG. 9



*FIG. 10*