



US00D859934S

(12) **United States Design Patent** (10) **Patent No.:** **US D859,934 S**
Seiders et al. (45) **Date of Patent:** **** Sep. 17, 2019**

- (54) **INSULATING DEVICE**
- (71) Applicant: **YETI Coolers, LLC**, Austin, TX (US)
- (72) Inventors: **Roy Joseph Seiders**, Rollingwood, TX (US); **Derek G. Sullivan**, Austin, TX (US); **Erik Steven Larson**, Austin, TX (US); **Alex Baires**, Austin, TX (US)
- (73) Assignee: **YETI Coolers, LLC**, Austin, TX (US)

2,575,191 A 11/1951 Seipp
 2,575,893 A 11/1951 Seaman
 2,633,223 A 3/1953 Zeamer
 (Continued)

FOREIGN PATENT DOCUMENTS

BE 1015808 A6 9/2005
 CA 2243820 A1 1/2000
 (Continued)

- (**) Term: **15 Years**
- (21) Appl. No.: **29/625,827**
- (22) Filed: **Nov. 13, 2017**

OTHER PUBLICATIONS

Stopper Dry Bag, <http://www.seatosummit.com/products/display/181>, published date unknown, but prior to the filing date of the present application, Sea To Summit, United States.
 (Continued)

Related U.S. Application Data

- (63) Continuation of application No. 29/553,981, filed on Feb. 5, 2016, now Pat. No. Des. 802,373.
- (51) **LOC (12) Cl.** **07-01**
- (52) **U.S. Cl.**
USPC **D7/607**
- (58) **Field of Classification Search**
USPC D7/605, 607, 709, 710, 629; D3/283, D3/289
CPC F25D 2331/804; F25D 3/08; B65D 30/08; B65D 81/3858; B65D 81/3823; B65D 81/3888; B65D 81/18; B65D 31/04; B65D 8/18; A45C 11/20
See application file for complete search history.

Primary Examiner — Terry A Wallace

(74) *Attorney, Agent, or Firm* — Banner & Witcoff, Ltd.

(57) **CLAIM**

The ornamental design for an insulating device, as shown and described.

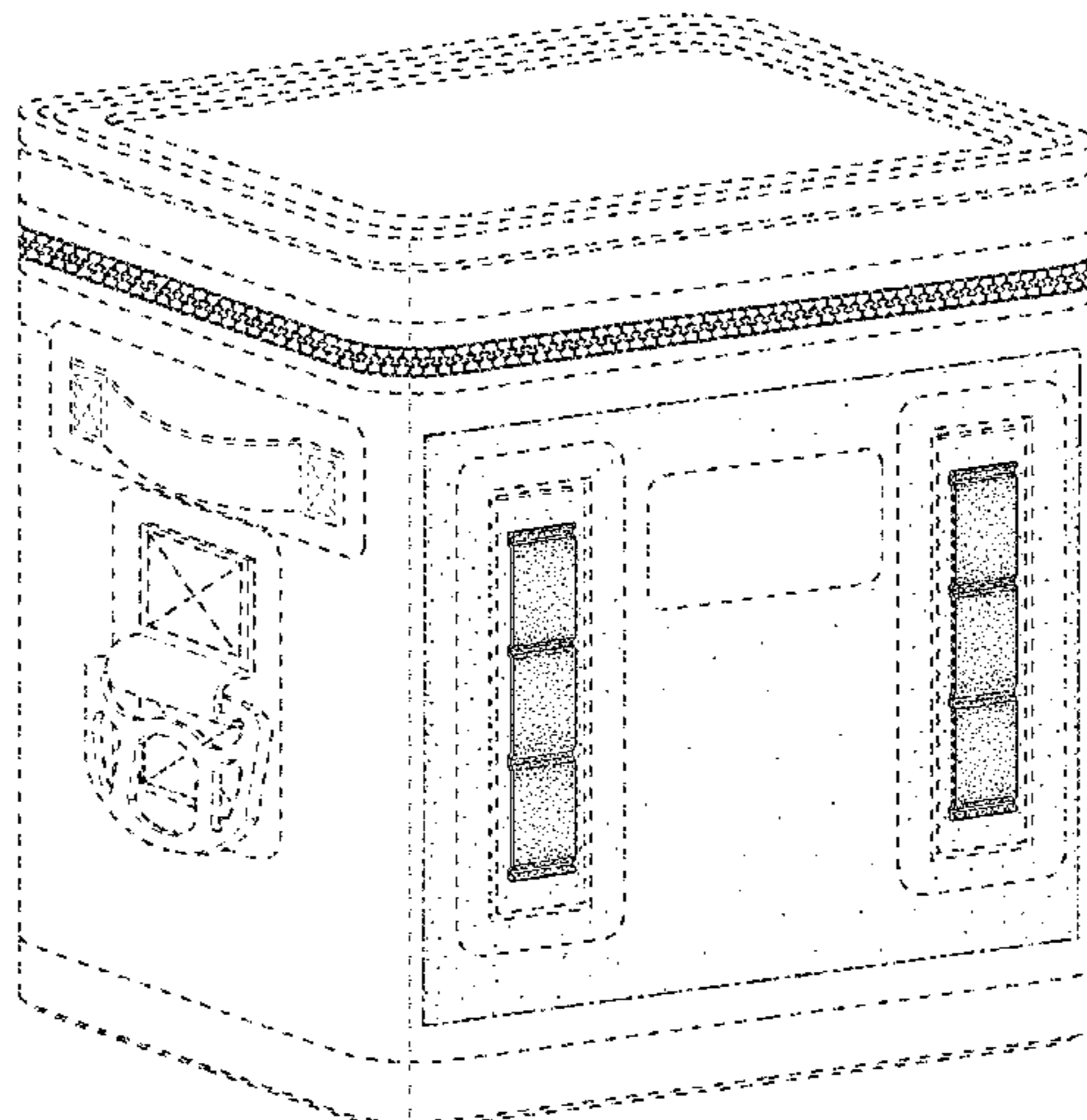
DESCRIPTION

FIG. 1 is a top, front, right perspective view of an insulating device showing our new design;
 FIG. 2 is a front view thereof;
 FIG. 3 is a rear view thereof;
 FIG. 4 is a left side view thereof;
 FIG. 5 is a right side view thereof;
 FIG. 6 is a top view thereof; and,
 FIG. 7 is a bottom view thereof.
 The uneven-length broken lines represent unclaimed boundaries of the claimed design. The even-length broken lines showing the remainder of the insulating device represent unclaimed subject matter and form no part of the claimed design.

1 Claim, 7 Drawing Sheets

(56) **References Cited**
U.S. PATENT DOCUMENTS

210,994 A	12/1878	Carnagy
1,587,655 A	6/1926	Kidwell
1,949,677 A	3/1934	Crawford
2,119,621 A	6/1938	Ferrone
2,253,598 A	8/1941	Africa
2,289,254 A	7/1942	Eagles
2,522,381 A	9/1950	Kramer



(56)

References Cited

U.S. PATENT DOCUMENTS

2,651,485 A	9/1953	Schutz	5,297,870 A	3/1994	Weldon
2,661,785 A	12/1953	Daust	5,313,807 A	5/1994	Owen
2,685,385 A	8/1954	Kuss	5,325,991 A	7/1994	Williams
2,808,093 A	10/1957	Gilman	5,354,131 A	10/1994	Mogil
2,954,891 A	10/1960	Imber	5,355,684 A	10/1994	Guice
2,960,136 A	11/1960	Ziff	5,398,848 A	3/1995	Padamsee
3,066,846 A	12/1962	Domigan	5,400,610 A	3/1995	Macedo
3,454,197 A	7/1969	Thompson	5,403,095 A	4/1995	Melk
3,801,425 A	4/1974	Cook	5,421,172 A	6/1995	Jones
3,814,288 A	6/1974	Westrich	5,447,764 A	9/1995	Langford
3,905,511 A	9/1975	Groendal	5,472,279 A	12/1995	Lin
4,125,212 A	11/1978	Courchesne	5,490,396 A	2/1996	Morris
4,127,155 A	11/1978	Hydom	D370,599 S	6/1996	Christopher et al.
4,194,627 A	3/1980	Christensen	D371,052 S	6/1996	Melk
4,196,817 A	4/1980	Moser	5,529,217 A	6/1996	Siegel
4,197,890 A	4/1980	Simko	D373,515 S	9/1996	Melk
4,210,186 A	7/1980	Belenson	5,562,228 A	10/1996	Ericson
4,211,091 A	7/1980	Campbell	5,564,568 A	10/1996	Rankin, Sr.
4,211,267 A	7/1980	Skovgaard	5,569,401 A	10/1996	Gilliland et al.
4,248,366 A	2/1981	Christiansen	5,595,320 A	1/1997	Aghassipour
4,344,303 A	8/1982	Kelly, Jr.	D382,771 S	8/1997	Mogil
4,372,453 A	2/1983	Branscum	D383,360 S	9/1997	Melk
4,375,828 A	3/1983	Biddison	5,680,944 A	10/1997	Rueter
D268,879 S	5/1983	Outcalt	5,680,958 A	10/1997	Mann et al.
4,399,668 A	8/1983	Williamson	D386,310 S	11/1997	Smith
4,468,933 A	9/1984	Christopher	5,687,874 A	11/1997	Omori et al.
4,513,895 A	4/1985	Leslie	D387,249 S *	12/1997	Mogil D7/607
4,521,910 A	6/1985	Keppel et al.	5,706,969 A	1/1998	Yamada et al.
4,537,313 A	8/1985	Workman	D394,553 S	5/1998	Lin
4,541,540 A	9/1985	Gretz et al.	D395,555 S	6/1998	Ursitti
D281,122 S	10/1985	Bomes et al.	5,758,513 A	6/1998	Smith
D281,546 S	12/1985	Bradshaw	D397,273 S	8/1998	Collie
D281,646 S	12/1985	Bomes et al.	5,816,709 A	10/1998	Demus
D282,602 S	2/1986	Allen	D401,063 S	11/1998	Yamamoto et al.
4,571,338 A	2/1986	Okonogi et al.	5,842,571 A	12/1998	Rausch
4,595,101 A	6/1986	Rivera	5,845,514 A	12/1998	Clarke et al.
4,596,370 A	6/1986	Adkins	5,848,734 A	12/1998	Melk
4,598,746 A	7/1986	Rabinowitz	5,857,778 A	1/1999	Ells
4,637,063 A	1/1987	Sullivan et al.	5,909,821 A	6/1999	Guridi
D289,128 S	4/1987	Bradshaw	5,913,448 A	6/1999	Mann et al.
4,673,117 A	6/1987	Calton	5,915,580 A	6/1999	Melk
4,679,242 A	7/1987	Brockhaus	5,931,583 A	8/1999	Collie
4,708,254 A	11/1987	Byrns	D414,379 S	9/1999	Haberkom
4,746,028 A	5/1988	Bagg	5,988,468 A	11/1999	Murdoch et al.
4,759,077 A	7/1988	Leslie	5,988,879 A	11/1999	Bredderman et al.
4,765,476 A	8/1988	Lee	6,019,245 A	2/2000	Foster et al.
4,796,937 A	1/1989	Andrea	6,027,249 A	2/2000	Bielinski
4,802,344 A	2/1989	Livingston et al.	6,029,847 A	2/2000	Mahoney, Jr. et al.
4,802,602 A	2/1989	Evans et al.	6,048,099 A	4/2000	Muffett et al.
4,805,776 A	2/1989	Namgyal et al.	D424,417 S	5/2000	Axelsson
4,812,054 A	3/1989	Kirkendall	6,059,140 A	5/2000	Hicks
4,826,060 A	5/1989	Hollingsworth	6,065,873 A	5/2000	Fowler
4,858,444 A	8/1989	Scott	6,068,402 A	5/2000	Freese et al.
4,867,214 A	9/1989	Fuller	6,073,796 A	6/2000	Mogil
4,886,183 A	12/1989	Fleming	6,082,589 A	7/2000	Ash et al.
4,941,603 A	7/1990	Creamer et al.	6,082,896 A	7/2000	Pulli
4,984,906 A	1/1991	Little	6,089,038 A	7/2000	Tattam
4,986,089 A	1/1991	Raab	6,092,266 A	7/2000	Lee
4,989,418 A	2/1991	Hewlett	6,092,661 A	7/2000	Mogil
5,004,091 A	4/1991	Natho et al.	6,128,915 A	10/2000	Wagner
5,005,679 A	4/1991	Hjelle	6,139,188 A	10/2000	Marzano
5,042,664 A	8/1991	Shyr et al.	6,145,715 A	11/2000	Slonim
5,048,734 A	9/1991	Long	6,149,305 A	11/2000	Fier
5,062,557 A	11/1991	Mahvi et al.	6,193,034 B1	2/2001	Fournier
5,190,376 A	3/1993	Book	6,220,473 B1	4/2001	Lehman et al.
5,216,900 A	6/1993	Jones	6,234,677 B1	5/2001	Mogil
5,221,016 A	6/1993	Karpal	6,237,776 B1	5/2001	Mogil
5,237,838 A	8/1993	Merritt-Munson	6,247,328 B1	6/2001	Mogil
5,244,136 A	9/1993	Collaso	6,253,570 B1	7/2001	Lustig
D339,979 S	10/1993	Wehrley	6,276,579 B1	8/2001	DeLoach
D340,387 S	10/1993	Melk	D447,632 S	9/2001	Gisser
D340,621 S	10/1993	Melk	D447,667 S	9/2001	Schneider et al.
D340,840 S	11/1993	Melk	6,286,709 B1	9/2001	Hudson
5,269,368 A	12/1993	Schneider et al.	6,296,134 B1	10/2001	Cardinale
D343,992 S	2/1994	Melk	6,296,165 B1 *	10/2001	Mears A45C 3/00 150/107
			6,298,993 B1	10/2001	Kalozdi
			6,336,577 B1	1/2002	Harris et al.
			6,353,215 B1	3/2002	Revels et al.

(56)

References Cited

U.S. PATENT DOCUMENTS

D455,934 S	4/2002	Culp et al.	D607,697 S	1/2010	Whitlock et al.
6,409,066 B1	6/2002	Schneider et al.	D608,096 S	1/2010	Noble
6,422,032 B1	7/2002	Greene	D608,159 S	1/2010	Whitlock et al.
D464,235 S	10/2002	Jeong	D610,795 S	3/2010	Dejadon
D465,134 S *	11/2002	Joss D3/287	D611,706 S	3/2010	Angles et al.
6,481,239 B2	11/2002	Hodosh et al.	7,682,080 B2	3/2010	Mogil
D466,291 S	12/2002	Ng	D617,560 S	6/2010	Wu
6,495,194 B2	12/2002	Sato et al.	7,730,739 B2	6/2010	Fuchs
6,505,479 B2	1/2003	Defelice et al.	D618,966 S	7/2010	Koehler et al.
6,511,695 B1	1/2003	Paquin et al.	D619,423 S *	7/2010	Koehler D7/607
6,513,661 B1	2/2003	Mogil	D619,854 S *	7/2010	Koehler D7/607
D472,431 S	4/2003	Spence, Jr.	D619,855 S	7/2010	Koehler et al.
6,554,155 B1	4/2003	Beggins	D620,707 S	8/2010	Mogil
D474,649 S	5/2003	Spence, Jr.	D620,708 S	8/2010	Sanz
6,582,124 B2	6/2003	Mogil	7,775,388 B2	8/2010	Murrer, III
D476,481 S	7/2003	Gilbert	7,784,759 B2	8/2010	Farrell
6,595,687 B2	7/2003	Godshaw et al.	7,791,003 B2	9/2010	Lockhart et al.
D478,782 S	8/2003	Li	7,811,620 B2	10/2010	Merrill et al.
6,604,649 B1	8/2003	Campi	7,815,069 B1	10/2010	Bellofatto et al.
6,605,311 B2	8/2003	Villagran et al.	D626,329 S	11/2010	Chapelier
6,619,447 B1	9/2003	Garcia, III et al.	D627,199 S	11/2010	Pruchnicki
6,629,430 B2	10/2003	Mills et al.	D629,612 S	12/2010	Weldon
D482,241 S	11/2003	Tyler	7,874,177 B2	1/2011	Azamy
6,652,933 B2	11/2003	Hall	7,900,816 B2	3/2011	Kastanek et al.
6,655,543 B2	12/2003	Beuke	D638,220 S	5/2011	Chu et al.
D485,131 S	1/2004	Lanman et al.	D642,870 S	8/2011	Whitlock et al.
D485,732 S	1/2004	Lanman et al.	D645,662 S	9/2011	Perez
D486,038 S	2/2004	Lanman et al.	8,016,090 B2	9/2011	McCoy et al.
6,688,470 B2	2/2004	Dege et al.	8,043,004 B2	10/2011	Mogil
6,729,758 B1	5/2004	Carter	D648,532 S	11/2011	Sosnovsky
D492,160 S	6/2004	Lanman et al.	8,061,159 B2	11/2011	Mogil et al.
D497,518 S	10/2004	Bellofatto, Jr. et al.	D650,169 S	12/2011	Klifa
6,799,693 B2	10/2004	Meza	8,096,442 B2	1/2012	Ramundi
D498,924 S	11/2004	Karl	8,191,747 B2 *	6/2012	Pruchnicki A45C 11/20 224/612
D501,600 S	2/2005	Guyon	D664,261 S	7/2012	Kravitz et al.
D502,599 S	3/2005	Cabana et al.	8,209,995 B2	7/2012	Kieling et al.
D503,279 S	3/2005	Smith	D666,896 S	9/2012	Pinholster, Jr. et al.
6,874,356 B2	4/2005	Kornfeldt et al.	D667,043 S	9/2012	Couch, III
D506,645 S	6/2005	Bellofatto, Jr. et al.	8,281,950 B2	10/2012	Potts et al.
D512,274 S	12/2005	Cabey	8,302,749 B2	11/2012	Melmon et al.
D515,362 S	2/2006	Chan	D673,363 S	1/2013	Crandall
D516,099 S	2/2006	Maruyama	D674,664 S	1/2013	Collie
D517,801 S	3/2006	Woo	8,424,713 B2	4/2013	Bolland
D520,306 S	5/2006	Peterson	D682,635 S	5/2013	Boroski
D523,243 S	6/2006	Nashmy	8,453,899 B1	6/2013	Calkin
D527,226 S	8/2006	Maldonado	D686,412 S	7/2013	Guichot
D530,089 S	10/2006	Silverman	8,474,640 B2	7/2013	Armstrong
7,153,025 B1	12/2006	Jackson et al.	8,516,848 B2	8/2013	White et al.
D534,352 S	1/2007	Delafontaine	8,544,678 B1	10/2013	Hughes
D534,771 S	1/2007	Zorn	8,573,002 B2	11/2013	Ledoux et al.
D535,820 S	1/2007	Kamiya	D695,568 S	12/2013	Hayes
7,162,890 B2	1/2007	Mogil et al.	8,622,235 B2	1/2014	Suchecki
D539,033 S	3/2007	Cassegrain	D699,940 S	2/2014	Robert
7,201,285 B2	4/2007	Beggins	D699,941 S	2/2014	Robert
7,207,716 B2	4/2007	Buchanan et al.	D703,946 S	5/2014	Tweedie
7,219,814 B2	5/2007	Lown et al.	8,720,739 B2	5/2014	Bollis
7,240,513 B1	7/2007	Conforti	D710,085 S	8/2014	Szewczyk
D548,459 S	8/2007	Harvey	D711,096 S	8/2014	Hanna
D550,448 S	9/2007	Boje et al.	D712,555 S	9/2014	Berg
7,264,134 B2	9/2007	Tulp	8,827,109 B1	9/2014	Sheehan
D557,667 S	12/2007	Kawamura et al.	8,844,756 B2	9/2014	Beyburg
7,302,810 B2	12/2007	McCrary	D715,544 S	10/2014	Levine
D560,102 S	1/2008	Sumter	D718,931 S	12/2014	Brundl
7,313,927 B2	1/2008	Barker	D719,303 S	12/2014	Anderson
7,344,028 B2	3/2008	Hanson	8,899,071 B2	12/2014	Mogil et al.
7,353,952 B2	4/2008	Swartz et al.	D725,908 S	4/2015	Zwetzig
D570,603 S	6/2008	Wu et al.	D728,942 S	5/2015	Byham
D573,422 S	7/2008	Tagliati et al.	D732,348 S	6/2015	Seiders et al.
D574,667 S	8/2008	Grabijas, III et al.	D732,349 S	6/2015	Seiders et al.
D578,401 S	10/2008	Perry et al.	D732,350 S	6/2015	Seiders et al.
D582,151 S	12/2008	Gonzalez	D732,899 S	6/2015	Seiders et al.
7,481,065 B2	1/2009	Krieger	D734,643 S	7/2015	Boroski
D598,194 S	8/2009	Turvey et al.	D734,992 S	7/2015	Boroski
7,597,478 B2	10/2009	Pruchnicki et al.	9,084,463 B2 *	7/2015	Merrill A45C 11/20
7,634,919 B2	12/2009	Bernhard, Jr. et al.	D738,108 S	9/2015	Adler et al.
			D739,654 S	9/2015	Brouard
			9,139,352 B2	9/2015	Seiders et al.
			9,146,051 B2	9/2015	Kamin et al.

(56)

References Cited

U.S. PATENT DOCUMENTS

			2003/0106895 A1	6/2003	Kalal	
			2003/0136702 A1*	7/2003	Redzisz	A45C 7/0077 206/545
			2003/0175394 A1	9/2003	Modler	
D747,104 S	1/2016	Ford	2004/0004111 A1	1/2004	Cardinale	
9,226,558 B2	1/2016	Armstrong	2004/0028296 A1	2/2004	Meli	
D749,653 S	2/2016	Carnes	2004/0035143 A1	2/2004	Mogil	
D750,140 S	2/2016	Cross	2004/0074936 A1	4/2004	McDonald	
9,254,022 B2	2/2016	Meldeau et al.	2004/0094589 A1	5/2004	Fricano	
9,254,023 B2	2/2016	Su et al.	2004/0144783 A1	7/2004	Anderson et al.	
9,265,318 B1	2/2016	Williams et al.	2004/0149600 A1	8/2004	Wolter et al.	
D752,347 S	3/2016	Seiders et al.	2004/0164084 A1	8/2004	Cooper	
9,271,553 B2*	3/2016	Ponx A45C 3/10	2004/0237266 A1	12/2004	Wang	
9,290,313 B2	3/2016	De Lesseux et al.	2005/0016895 A1	1/2005	Glenn	
D752,860 S	4/2016	Barilaro et al.	2005/0034947 A1	2/2005	Nykoluk	
D756,109 S	5/2016	Hayashi	2005/0045520 A1	3/2005	Johnson	
D756,638 S	5/2016	Frisoni	2005/0045521 A1	3/2005	Johnson et al.	
9,366,467 B2	6/2016	Kiedaisch et al.	2005/0056669 A1	3/2005	Lavelle	
9,375,061 B2	6/2016	Mosee	2005/0133399 A1	6/2005	Fidrych	
D760,494 S	7/2016	Harvey-Pankey	2005/0183446 A1	8/2005	Fuchs	
D761,561 S	7/2016	Cheng	2005/0196510 A1	9/2005	Walters	
D763,570 S	8/2016	Potts	2005/0262871 A1	12/2005	Bailey-Weston	
D764,791 S	8/2016	Patel	2005/0263528 A1	12/2005	Maldonado et al.	
D764,873 S	8/2016	Collie	2005/0279124 A1	12/2005	Maldonado	
9,408,445 B2	8/2016	Mogil et al.	2006/0007266 A1	1/2006	Silverbrook	
D765,395 S	9/2016	Sanz	2006/0102497 A1	5/2006	Wulf	
D770,761 S	11/2016	Deioma et al.	2006/0151533 A1	7/2006	Simunovic et al.	
D770,763 S	11/2016	Joo et al.	2006/0201979 A1	9/2006	Achilles	
D771,372 S	11/2016	Kelly et al.	2006/0240159 A1	10/2006	Cash et al.	
D772,562 S	11/2016	Petre	2007/0012593 A1	1/2007	Kitchens et al.	
D778,045 S	2/2017	Ruddis	2007/0148305 A1	6/2007	Sherwood et al.	
D782,820 S	4/2017	Thompson	2007/0148307 A1	6/2007	Sherwood et al.	
D784,010 S	4/2017	Dumas	2007/0217187 A1	9/2007	Blakely et al.	
D785,325 S	5/2017	Samrelius et al.	2007/0221693 A1	9/2007	Moore	
D786,559 S	5/2017	Seiders et al.	2007/0237432 A1*	10/2007	Mogil	A45C 7/0077 383/38
D786,560 S	5/2017	Seiders et al.				
D786,561 S	5/2017	Seiders et al.	2007/0261977 A1	11/2007	Sakai	
D787,187 S	5/2017	Seiders et al.	2007/0274613 A1	11/2007	Pruchnicki et al.	
D792,167 S	7/2017	Bradley	2007/0290816 A1	12/2007	Bedard	
D792,486 S	7/2017	Li et al.	2008/0038424 A1	2/2008	Krusemann	
D793,089 S	8/2017	Jackson	2008/0073364 A1	3/2008	Simmons	
D796,185 S	9/2017	Masten	2008/0105282 A1	5/2008	Fernholz et al.	
D797,454 S	9/2017	Seiders et al.	2008/0128421 A1	6/2008	Ulbrand et al.	
D797,455 S	9/2017	Seiders et al.	2008/0160149 A1	7/2008	Nasrallah et al.	
D798,670 S	10/2017	Seiders et al.	2008/0164265 A1	7/2008	Conforti	
D799,276 S	10/2017	Seiders et al.	2008/0178865 A1	7/2008	Retterer	
D799,277 S	10/2017	Seiders et al.	2008/0245096 A1	10/2008	Hanson et al.	
D799,905 S	10/2017	Seiders et al.	2008/0260303 A1	10/2008	De Lesseux et al.	
D800,443 S	10/2017	Burton et al.	2008/0305235 A1	12/2008	Gao et al.	
D800,444 S	10/2017	Burton et al.	2009/0052809 A1	2/2009	Sampson	
D801,123 S	10/2017	Seiders et al.	2009/0095757 A1	4/2009	Ramundi	
D802,028 S	11/2017	Li	2009/0280229 A1	11/2009	Constantine et al.	
D802,029 S	11/2017	Li	2009/0311378 A1	12/2009	Wilaschin et al.	
D802,373 S	11/2017	Seiders et al.	2009/0317514 A1	12/2009	Sizer	
D802,630 S	11/2017	Li et al.	2010/0047423 A1	2/2010	Kruesemann et al.	
D808,655 S	1/2018	Seiders et al.	2010/0059199 A1	3/2010	Court	
D809,869 S	2/2018	Seiders et al.	2010/0075006 A1	3/2010	Semenza	
D813,539 S	3/2018	Van Assche	2010/0108694 A1	5/2010	Sedlbauer et al.	
D819,966 S	6/2018	Yu	2010/0136203 A1	6/2010	Sakata et al.	
D819,967 S	6/2018	Carter et al.	2010/0143567 A1	6/2010	Ye et al.	
D823,601 S	7/2018	Seiders et al.	2010/0224660 A1	9/2010	Gleason	
D823,602 S	7/2018	Seiders et al.	2010/0284631 A1	11/2010	Lee	
D824,671 S	8/2018	Pennington	2011/0003975 A1	1/2011	Arase et al.	
D827,299 S	9/2018	Vickery	2011/0005739 A1	1/2011	Finney et al.	
D829,244 S	9/2018	Sullivan et al.	2011/0030415 A1	2/2011	Breyburg et al.	
D830,132 S	10/2018	Sullivan et al.	2011/0097442 A1	4/2011	Harju et al.	
D830,133 S	10/2018	Sullivan et al.	2011/0108562 A1	5/2011	Lyons	
D830,134 S	10/2018	Sullivan et al.	2011/0167863 A1	7/2011	Herrbold	
D832,653 S	11/2018	Waskow et al.	2011/0182532 A1	7/2011	Baltus	
D834,817 S	12/2018	Hoppe et al.	2011/0191933 A1	8/2011	Gregory et al.	
D834,895 S	12/2018	Triska et al.	2011/0284601 A1	11/2011	Pullin	
D835,473 S	12/2018	Jacobsen	2011/0311166 A1	12/2011	Pascua	
D835,949 S	12/2018	Triska et al.	2012/0106130 A1	5/2012	Beaudette	
D836,996 S	1/2019	Jacobsen	2012/0137637 A1	6/2012	Gillis	
D836,997 S	1/2019	Jacobsen	2012/0180184 A1	7/2012	Crye	
D836,998 S	1/2019	Jacobsen	2012/0181211 A1	7/2012	Charlebois	
2002/0197369 A1	12/2002	Modler	2012/0187138 A1	7/2012	Vasquez et al.	
2003/0070447 A1	4/2003	Tanaka	2012/0294550 A1	11/2012	Hassman et al.	
2003/0080133 A1	5/2003	Butler	2012/0311828 A1	12/2012	Nir	

(56)

References Cited

U.S. PATENT DOCUMENTS

2013/0014355 A1 1/2013 Lee
 2013/0043285 A1* 2/2013 Cordray A45C 11/20
 224/148.3
 2013/0174600 A1 7/2013 Sarcinella
 2013/0216158 A1 8/2013 Meldeau et al.
 2013/0264350 A1 10/2013 Handlon et al.
 2013/0294712 A1 11/2013 Seuk
 2013/0341338 A1 12/2013 Mitchell et al.
 2014/0023295 A1 1/2014 Wagner
 2014/0034543 A1 2/2014 Grubstein
 2014/0151172 A1 6/2014 Diaz
 2014/0226920 A1 8/2014 Passavia
 2014/0248003 A1 9/2014 Mogil et al.
 2014/0254956 A1 9/2014 Buell, III
 2014/0366336 A1 12/2014 Chung
 2015/0008242 A1 1/2015 Kpabar, Jr.
 2015/0114024 A1 4/2015 Grepper
 2015/0136796 A1 5/2015 Muehlhauser
 2015/0175338 A1 6/2015 Culp et al.
 2015/0225164 A1* 8/2015 Seiders B65D 81/3858
 220/592.25
 2015/0335202 A1 11/2015 Wisner et al.
 2015/0353263 A1 12/2015 Seiders et al.
 2016/0066817 A1 3/2016 Hannes
 2016/0100661 A1 4/2016 Redzisz et al.
 2016/0101924 A1* 4/2016 Mitchell A45C 7/0077
 220/592.2
 2016/0107816 A1* 4/2016 Larpenteur A47J 47/14
 220/592.01
 2016/0236849 A1 8/2016 Seiders et al.
 2016/0255943 A1 9/2016 Houston et al.
 2016/0257479 A1 9/2016 Seiders et al.
 2016/0338462 A1 11/2016 Hayashi
 2017/0036844 A1 2/2017 Seiders et al.
 2017/0099920 A1 4/2017 Bailey
 2017/0210542 A1 7/2017 Seiders et al.
 2018/0016084 A1 1/2018 Xia et al.
 2018/0162626 A1 6/2018 Munie et al.
 2018/0242701 A1 8/2018 Seiders et al.
 2018/0263346 A1 9/2018 Stephens
 2018/0279733 A1 10/2018 Young et al.
 2018/0317620 A1 11/2018 Larson et al.

FOREIGN PATENT DOCUMENTS

CA 2300014 A1 8/2001
 CA 2327764 A1 6/2002
 CA 2433251 A1 12/2004
 CA 2483802 A1 4/2006
 CA 2498796 A1 9/2006
 CA 2499291 A1 9/2006
 CA 2503473 A1 10/2006
 CA 2548064 A1 11/2007
 CA 2549327 A1 11/2007
 CA 2633223 A1 12/2009
 CA 2782668 A1 12/2013
 CN 2125339 U 12/1992
 CN 2188899 Y 2/1995
 CN 201062136 Y 5/2008
 CN 102717977 A 10/2012
 CN 202619972 U 12/2012
 CN 202959175 U 6/2013
 CN 103385657 A 11/2013
 CN 302623771 11/2013
 CN 302623775 11/2013
 CN 302769710 3/2014
 CN 302956550 10/2014
 CN 303100086 2/2015
 CN 303342902 8/2015
 DE 3539626 A1 5/1987
 DE 20002689 U1 8/2000
 DE 202011050174 U1 7/2011
 DE 202013101115 U1 3/2013
 EP 0037545 A2 10/1981

EP 0082131 A2 6/1983
 EP 85534 A1 8/1983
 EP 0158634 A1 10/1985
 EP 0174159 A2 3/1986
 EP 0238932 A1 9/1987
 FR 1269009 A 8/1961
 FR 2440886 A1 6/1980
 GB 1600133 A 10/1981
 GB 2249717 A 5/1992
 GB 2335972 A 10/1999
 GB 3004135 9/2002
 GB 3006367 10/2002
 JP 11051532 2/1999
 JP 3275477 B2 4/2002
 JP D1160335 12/2002
 JP 2003026258 A 1/2003
 JP D1213384 8/2004
 JP D1242111 6/2005
 JP 2010023926 A 2/2010
 JP D1445624 7/2012
 KR 20020027739 A 4/2002
 KR 20040092730 A 11/2004
 KR 300778570.0000 1/2015
 KR 300808669.0000 8/2015
 KR 300835242.0000 1/2016
 KR 300853718.0000 5/2016
 WO 9524146 A2 9/1995
 WO 9812954 A1 4/1998
 WO 02058500 A1 8/2002
 WO 2006007266 A2 1/2006
 WO 2006058538 A1 6/2006
 WO 2007016092 A2 2/2007
 WO 2010106296 A2 9/2010
 WO 2010120199 A1 10/2010
 WO 2012003543 A1 1/2012
 WO 2014033450 A1 3/2014
 WO 2014066026 A1 5/2014
 WO 2016066817 A1 5/2016

OTHER PUBLICATIONS

Icemule Classic Cooler—Large (20L), <http://www.icemulecooler.com/icemule-classic-cooler-large-20l/>, published date unknown, but prior to the filing date of the present application, Icemule, United States.
 Devonbuy.com: Thule Gauntlet 13" MacBook Pro Attaché. Published on Jul. 28, 2014. Retrieved from the internet at <<http://www.devonbuy.com/thule-gauntlet-13-macbook-pro-attache/>>, Feb. 24, 2016. 9 pages.
 United States District Court for the Western District of Texas, Austin Division, “Defendants’ Answer and Counterclaims to Yeti’s Complaint,” *Yeti Coolers, LLC, vs. RTIC Soft Sided Coolers, LLC, RTIC Coolers, LLC, RTIC Web Services, LLC, and Corporate Support and Fulfillment, LLC*, Case 1:16-cv-00909-RP, Document 11, Filed Aug. 18, 2016, 44 pages.
 United States District Court Western District of Texas, Austin Division, “Complaint,” *Yeti Coolers, LLC, v. RTIC Soft Side Coolers, RTIC Coolers, LLC, RTIC Web Services, LLC, and Corporate Support and Fulfillment, LLC*, Case 1:16-cv-00909, Document 1, Filed Jul. 27, 2016, 66 pages.
 United States District Court Western District of Texas, Austin Division, “Complaint for Damages and Injunctive Relief,” *Yeti Coolers, LLC v. Jennifer Leverage Bootz Evans d/b/a Bling and Burlap Buy In’s and Blanks*, Case 1:15-cv-00995, Document 1, Filed Nov. 2, 2015, 128 pages.
 United States District Court Western District of Texas, Austin Division, “Order,” *Yeti Coolers, LLC v. Jennifer Leverage Bootz Evans d/b/a Bling and Burlap Buy In’s and Blanks*, Case 1:15-cv-00995-RP, Document 18, Filed Apr. 18, 2016, 1 page.
 United States District Court Western District of Texas, Austin Division, “Defendant’s Reply in Support of Their Rule 12 (B)(6) Motion to Dismiss for Failure to State a Claim” *Yeti Coolers, LLC v. RTIC Soft Sided Coolers, LLC, RTIC Coolers, LLC, RTIC Web Services, LLC, and Corporate Support and Fulfillment, LLC*, Case 1:16-cv-00909-RP, Document 15, Filed Sep. 8, 2016, 13 pages.

(56)

References Cited

OTHER PUBLICATIONS

United States District Court Western District of Texas, Austin Division, “Yeti’s Answer to RTIC’s Counterclaims,” *Yeti Coolers, LLC v. RTIC Soft Sided Coolers, LLC, RTIC Coolers, LLC, RTIC Web Services, LLC, and Corporate Support and Fulfillment, LLC*, Case 1:16-cv-00909-RP, Document 14, Filed Sep. 2, 2016, 16 pages.

United States District Court Western District of Texas, Austin Division, “Yeti’s Opposition to RTIC’s Motion to Dismiss,” *Yeti Coolers, LLC v. RTIC Soft Sided Coolers, LLC, RTIC Coolers, LLC, RTIC Web Services, LLC, and Corporate Support and Fulfillment, LLC*, Case 1:16-cv-00909-RP, Document 13, Filed Sep. 1, 2016, 17 pages.

United States District Court for the Western District of Texas, Austin Division, “Defendants’ Rule 12(B)(6) Motion to Dismiss for Failure to State a Claim,” *Yeti Coolers, LLC, vs. RTIC Soft Sided Coolers, LLC, RTIC Coolers, LLC, RTIC Web Services, LLC, and Corporate Support and Fulfillment, LLC*, Case 1:16-cv-00909-RP, Document 10, Filed Aug. 18, 2016, 12 pages.

United States District Court for the Western District of Texas, Austin Division, “Joint Rule 26(f) Report and Discovery Plan,” *Yeti Coolers, LLC, vs. RTIC Soft Sided Coolers, LLC, RTIC Coolers, LLC, RTIC Web Services, LLC, and Corporate Support and Fulfillment, LLC*, Case 1:16-cv-00909-RP, Document 19, Filed Oct. 11, 2016, 9 pages.

Petition for Inter Partes Review of U.S. Pat. No. 9,139,352, filed on Dec. 13, 2016, 1616 pages.

TheGadgeteer.com: Tom Bihn Camera I-O Bag Review. Published Jul. 9, 2012. Retrieved from the internet at <<http://the-gadgeteer.com/2012/07/09/tom-bihn-camera-i-o-bag-review/>>, Jan. 11, 2016. 7 pages.

YouTube.com: Patagonia Black Hole Duffel 60L. Published Aug. 26, 2013. Retrieved from the internet at <<https://www.youtube.com/watch?v=W-PWEmZmVv8>>, Dec. 19, 2016. 1 page.

YouTube, “Yeti Hopper Cooler At ICast 2014”, Uploaded by user TackleDirect on Jul. 17, 2014, Accessed Jan. 31, 2017. (<https://www.youtube.com/watch?v=A2rKRdyZcZ4>).

Ebags, Picnic Pack Picnic Pack Large Insulated Cooler Tote, First reviewed on Jul. 20, 2016. Accessed Feb. 7, 2017. (<http://www.ebags.com/product/picnic-pack/picnic-pack-large-insulated-cooler-tote/313704?productid=10428840>).

United States Patent and Trademark Office Before the Patent Trial and Appeal Board, Decisions Joint Motions to Terminate Inter Partes Review, Entered Mar. 22, 2017—(4 pgs).

Jan. 31, 2017—(WO) International Search Report and Written Opinion—App. PCT/US2016/060135.

Mar. 31, 2017—(WO) International Search Report and Written Opinion—App PCT/US2017/016552.

United States District Court Western District of Texas Austin Division, “Complaint,” *Yeti Coolers, LLC v. Glacier Coolers, LLC, and Tecomate Holdings, LLC*, Case 1:17-cv-00586, Document 1, filed Jun. 15, 2017, 161 pages.

May 30, 2017—(WO) ISR—App. No. PCT/US17/32351.

May 30, 2017—(WO) Written Opinion—App. No. PCT/US17/32351.

Vimeo, “Cleaning Your Yeti Hopper” uploaded by user Yeti Coolers on Nov. 4, 2014, Accessed Sep. 27, 2017. (<https://vimeo.com/110890075>).

Good Housekeeping, “Lands’ End Zip Top Cooler Tote #433786”, Reviewed on Apr. 2014, Accessed Nov. 18, 2017. (<http://www.goodhousekeeping.com/travel-products/food-cooler-reviews/a33270/lands-end-zip-top-cooler-tote-433786/>).

Home Shopping Network, “Built New York Large Welded Cooler Bag”, Accessed Nov. 18, 2017. (<https://www.hsn.com/products/built-new-york-large-welded-cooler-bag/8561033>).

* cited by examiner

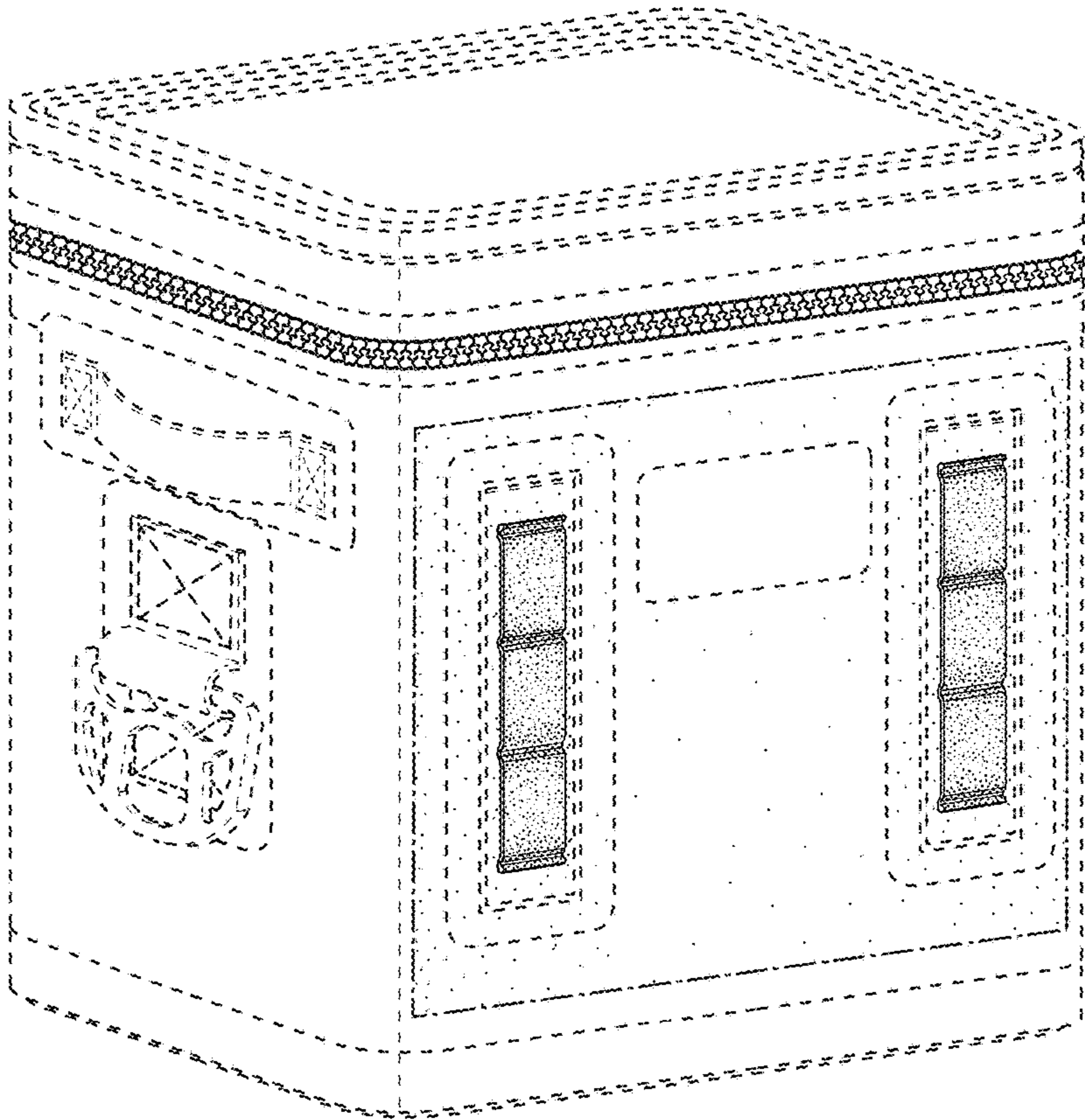


FIG. 1

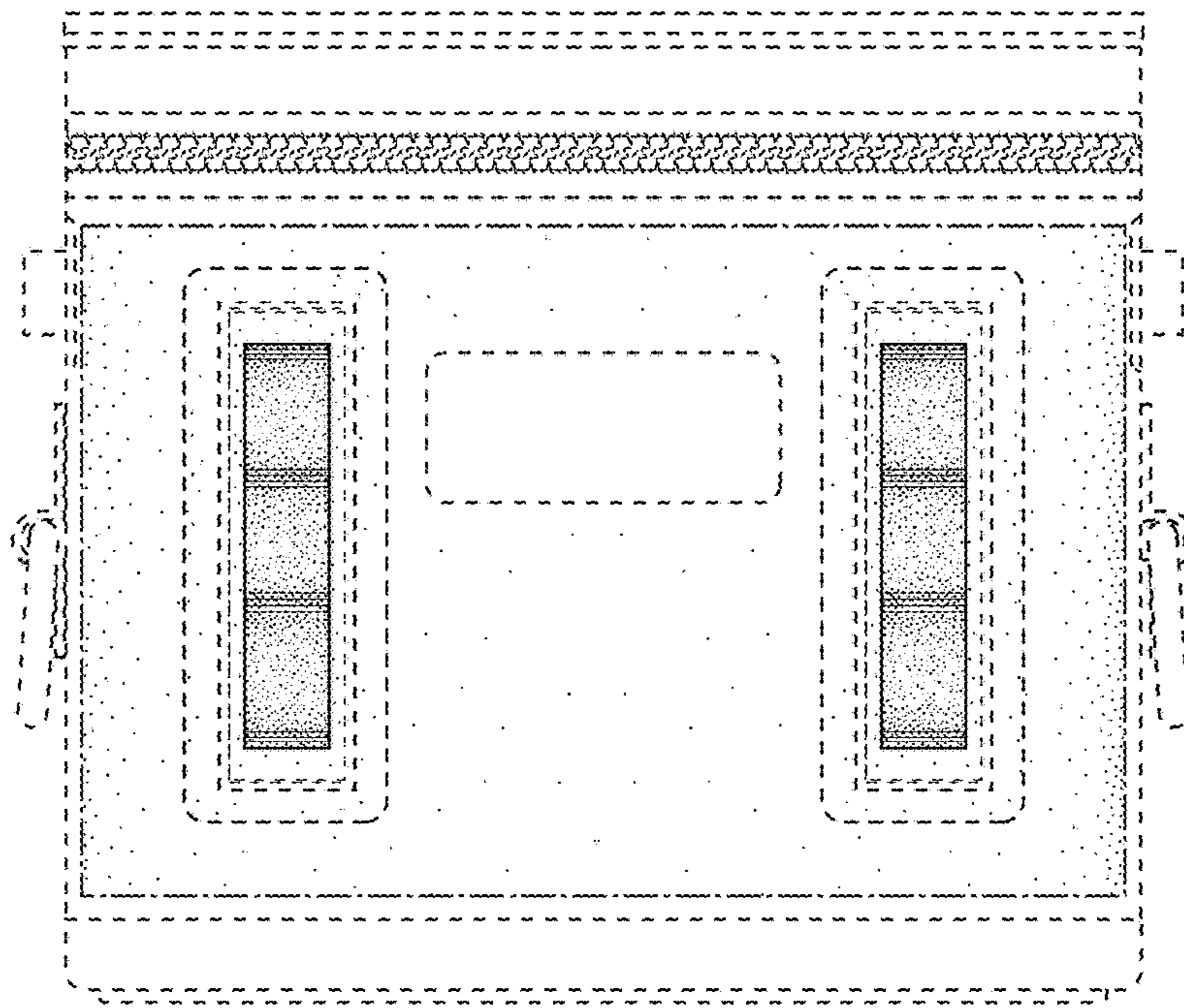


FIG. 2

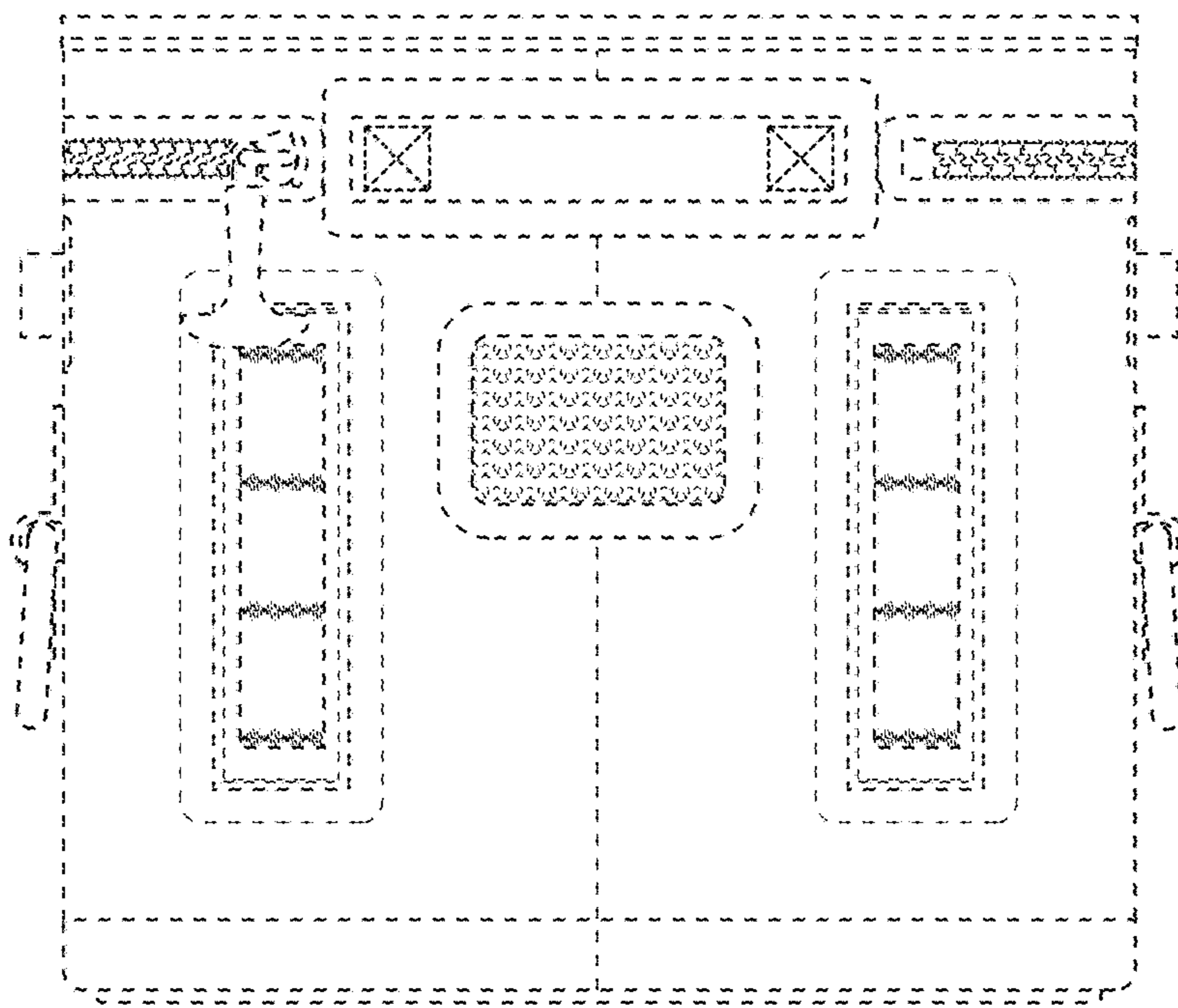


FIG. 3

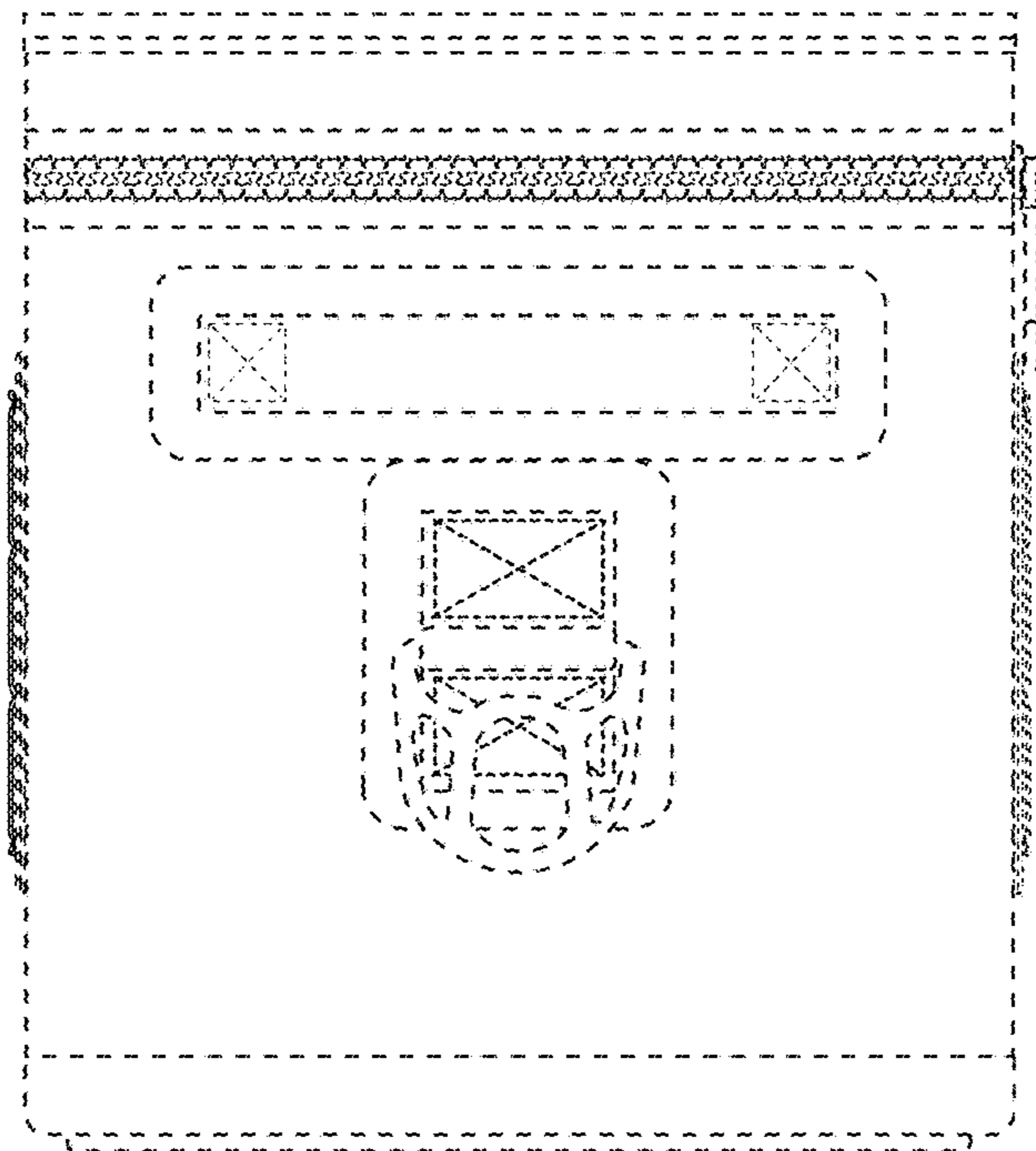


FIG. 4

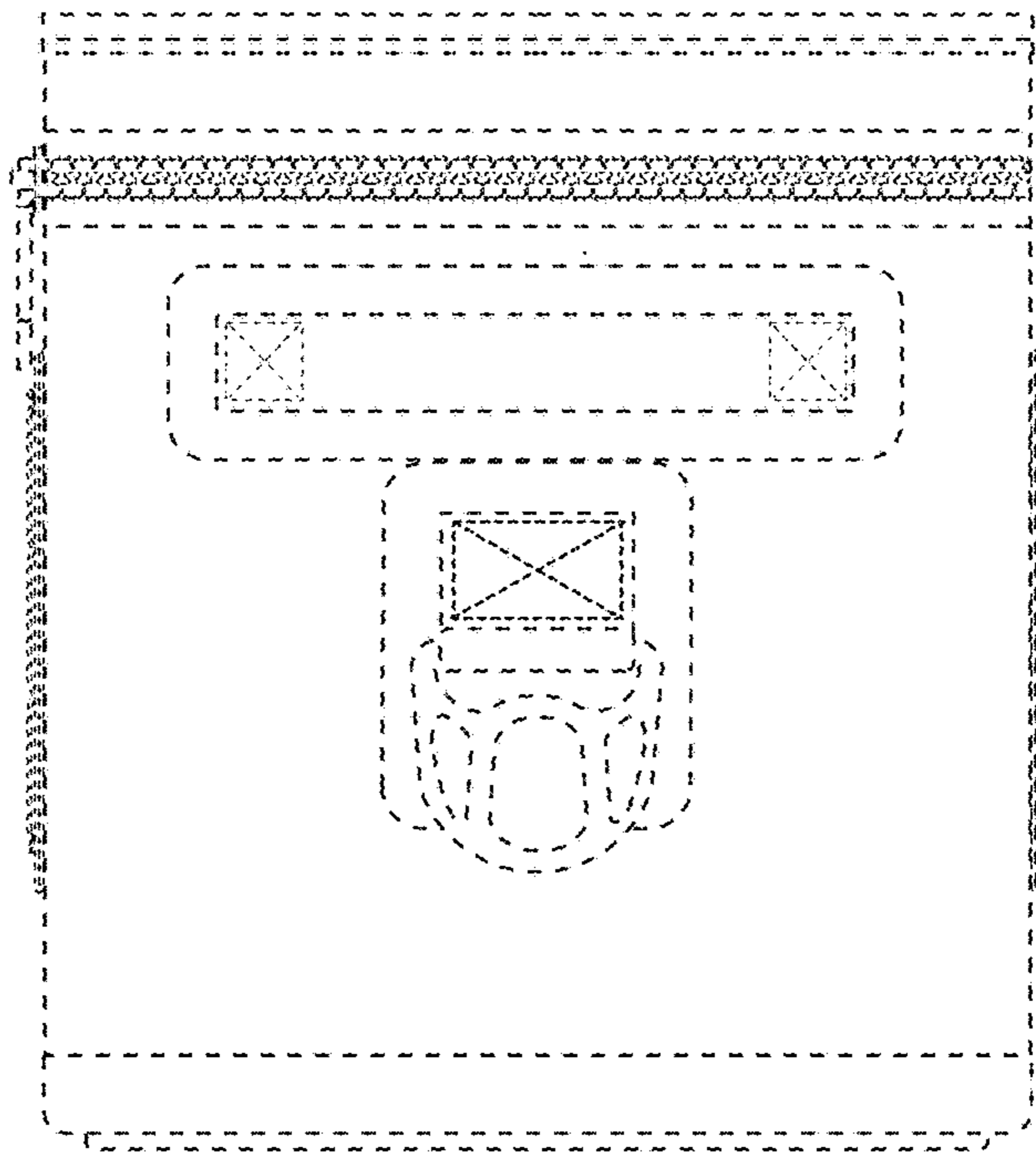


FIG. 5

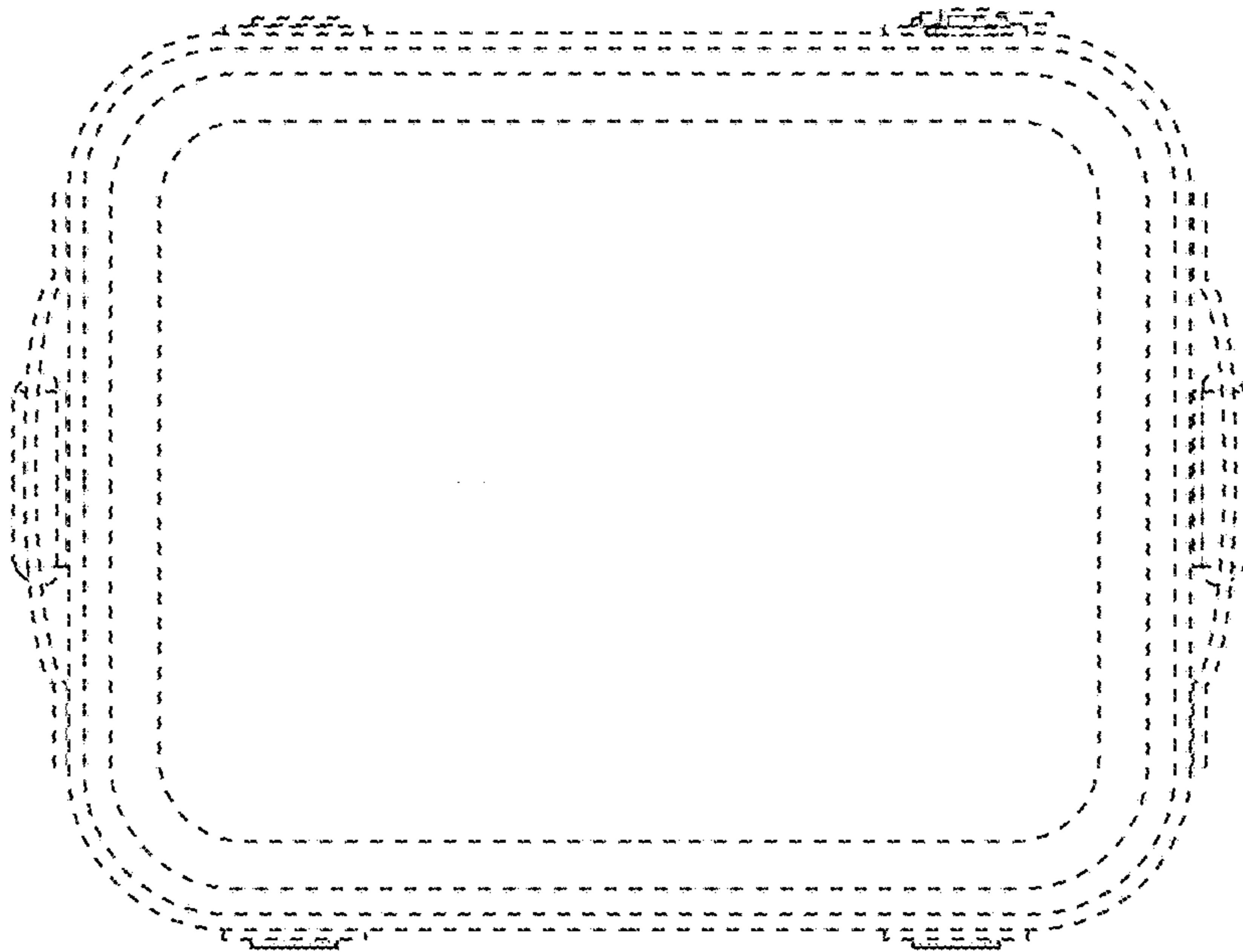


FIG. 6

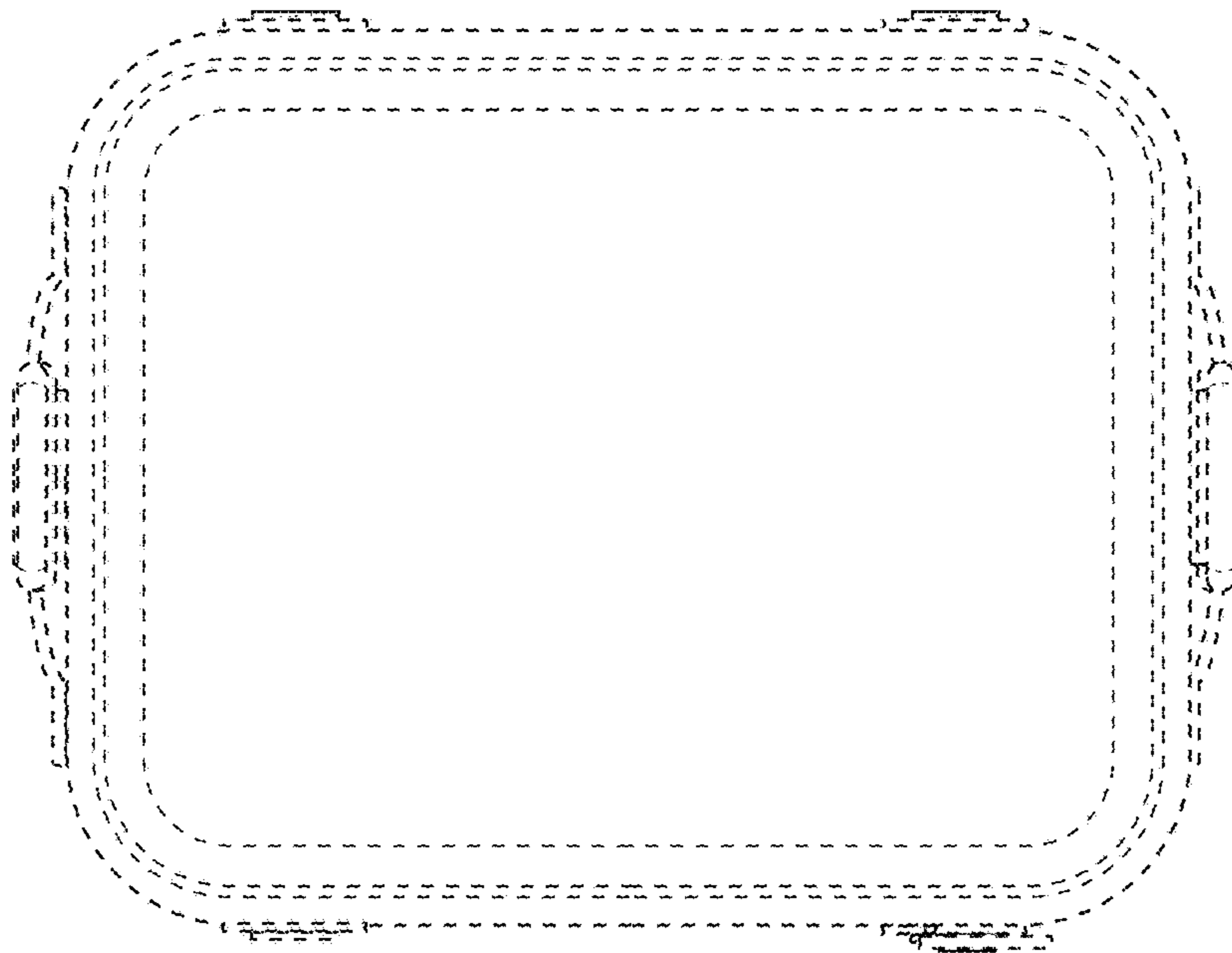


FIG. 7