



US00D859932S

(12) **United States Design Patent** (10) **Patent No.:** **US D859,932 S**  
**Greenwood** (45) **Date of Patent:** **\*\* Sep. 17, 2019**

(54) **BOTTLE ORGANIZER**

(71) Applicant: **YouCopia Products Inc**, Chicago, IL (US)  
 (72) Inventor: **Mark Greenwood**, Arlington Heights, IL (US)  
 (73) Assignee: **YOUCOPIA PRODUCTS INC.**, Arlington Heights, IL (US)

(\*\*) Term: **15 Years**  
 (21) Appl. No.: **29/602,446**  
 (22) Filed: **May 1, 2017**

(51) **LOC (12) Cl.** ..... **07-99**  
 (52) **U.S. Cl.**  
 USPC ..... **D7/600.4**

(58) **Field of Classification Search**  
 USPC ... D7/600.1-600.4, 601, 602, 701-710, 392, D7/397, 589, 590, 596, 597, 609, 610, D7/612, 614, 615, 620-623, 628-632, D7/637-641; D6/462, 465, 432, 436, D6/573, 510, 512, 574, 559, 560, 566, D6/567, 570, 571, 705, 705.1, 705.2, D6/705.3, 705.4, 705.5, 705.6, 705.7, D6/706, 707, 707.1, 707.19, 627, 628, D6/629, 631, 654, 654.11, 654.12, D6/654.13, 654.14, 654.15, 654.18, D6/654.19, 654.2, 654.22, 654.21, 655, D6/655.11, 655.12, 655.13, 655.14, D6/655.15, 655.17, 655.18, 655.19, 655.2,  
 (Continued)

(56) **References Cited**

U.S. PATENT DOCUMENTS

276,289 A \* 4/1883 Schoenthaler ..... B65D 85/305  
 217/22  
 513,645 A \* 1/1894 Leaver et al. .... B65D 85/305  
 217/22

(Continued)

OTHER PUBLICATIONS

Spicestack, Inc., Spice Stack Organizer (brochure), 2006, United States.

*Primary Examiner* — Shannon W Morgan  
 (74) *Attorney, Agent, or Firm* — Lowe Graham Jones PLLC

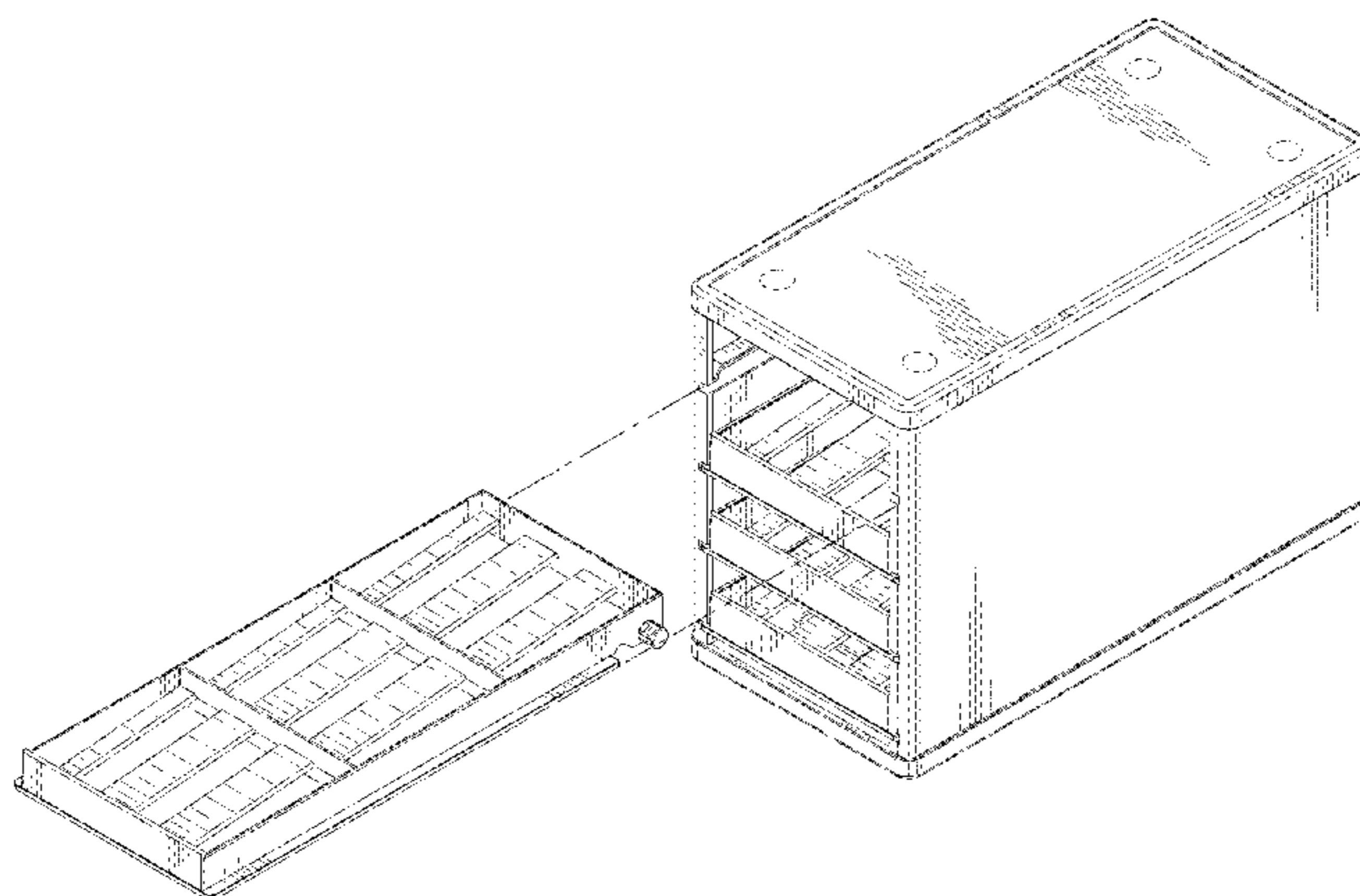
(57) **CLAIM**

I claim the ornamental design for a bottle organizer, as shown and described.

**DESCRIPTION**

FIG. 1 is a top isometric view of a bottle organizer, showing my new design.  
 FIG. 2 is a front elevational view of the bottle organizer.  
 FIG. 3 is a rear elevational view of the bottle organizer.  
 FIG. 4 is a left side elevational view of the bottle organizer, the right side view being an identical mirror image thereof.  
 FIG. 5 is a top plan view of the bottle organizer.  
 FIG. 6 is a bottom plan view of the bottle organizer.  
 FIG. 7 is a partially exploded view of the bottle organizer, illustrated with a top drawer removed.  
 FIG. 8 is a top perspective view of the top drawer for the bottle organizer shown in FIG. 1, removed for ease of illustration.  
 FIG. 9 is a front view thereof.  
 FIG. 10 is a rear view thereof.  
 FIG. 11 is a right side view of the top drawer for the bottle organizer, the left side view being an identical mirror image thereof.  
 FIG. 12 is a top plan view thereof; and,  
 FIG. 13 is a bottom plan view thereof.  
 The broken lines shown in the figures depict portions of the bottle organizer that form no part of the claimed design.

**1 Claim, 13 Drawing Sheets**



# US D859,932 S

(58) **Field of Classification Search**

USPC ..... D6/655.22, 655.23, 691.4, 692.5, 693.1,  
D6/693.2, 677, 677.01, 677.2, 677.5,  
D6/678.4, 708.2, 668; D3/304-315, 320,  
D3/201-202, 203.1-203.3, 205-206, 273,  
D3/276; D19/78, 77, 75, 83, 86, 90, 92,  
D19/100  
CPC ..... A45D 33/22; B65D 2203/00; B65D 7/20;  
B65D 83/00; B65D 21/00; B65D 85/305;  
B65D 85/30; A47G 7/02; A47B 88/00;  
A47B 88/0003; A47B 88/0007; A47B  
88/0014; A47B 88/20; A47B 88/202;  
A47B 88/04; A47B 88/0466; A47B  
88/0418; A47B 81/007; A47J 31/3642;  
A47J 47/16; A47J 47/00; A47J 31/44;  
A47J 31/36

See application file for complete search history.

(56) **References Cited**

U.S. PATENT DOCUMENTS

517,007 A \* 3/1894 Leaver ..... B65D 85/305  
217/22  
629,450 A \* 7/1899 Loeffel ..... B65D 85/305  
217/22  
908,784 A \* 1/1909 Liebler ..... B65D 85/305  
217/19  
1,303,090 A 5/1919 McCeay  
1,429,627 A \* 9/1922 Rand, Jr. .... B42F 17/18  
312/303  
1,439,638 A \* 12/1922 Peterman ..... B65D 85/305  
217/22  
1,692,596 A \* 11/1928 Turner ..... B65D 85/305  
217/22  
1,711,329 A \* 4/1929 Short ..... A47B 57/04  
211/135  
1,780,544 A \* 11/1930 Storey ..... B65D 85/305  
217/70  
1,826,744 A \* 10/1931 Cubberley ..... B65D 85/305  
217/19  
1,885,441 A \* 11/1932 Herbolscheimer .. B65D 85/305  
206/509  
1,916,397 A \* 7/1933 Unger ..... A47B 88/493  
312/323  
1,919,042 A \* 7/1933 Rosenberg ..... B65D 85/305  
217/19  
2,138,560 A \* 11/1938 Stuart ..... A21B 1/50  
126/337 R  
2,606,091 A 8/1952 Buchy et al.  
2,839,349 A 6/1958 Lemchen  
2,901,308 A \* 8/1959 Attwood ..... B42F 17/18  
312/303  
2,919,814 A 1/1960 Berkowitz

3,013,853 A 12/1961 Toms  
3,339,994 A 9/1967 Reddig et al.  
3,355,231 A 11/1967 Kegel  
D242,198 S \* 11/1976 Geisler ..... D6/705  
D242,607 S 12/1976 Covey  
4,228,903 A 10/1980 Eckert  
4,343,244 A 8/1982 Moriarty et al.  
4,356,923 A 11/1982 Young et al.  
4,441,771 A 4/1984 Roesler  
4,502,741 A 3/1985 DeVries et al.  
D286,122 S \* 10/1986 Golias ..... D6/559  
4,620,489 A 11/1986 Albano  
5,244,272 A 9/1993 Thompson  
5,348,207 A 9/1994 Frank  
5,385,399 A 1/1995 Weidner  
D365,732 S 1/1996 Kellen  
6,039,422 A 3/2000 Butters  
D422,846 S \* 4/2000 Swick ..... D7/601  
6,122,173 A 9/2000 Felcman et al.  
6,129,219 A 10/2000 Peickert  
6,332,546 B1 12/2001 Hunt  
6,585,334 B2 7/2003 Cheng et al.  
6,626,509 B2 9/2003 Remmers  
7,063,219 B2 6/2006 Fann et al.  
D544,251 S \* 6/2007 Daugherty ..... D6/678.3  
D628,444 S \* 12/2010 Snider ..... D7/600.1  
D644,069 S \* 8/2011 Tiemann ..... D7/600.4  
D644,491 S \* 9/2011 Snider ..... D7/600.1  
D659,481 S \* 5/2012 Tiemann ..... D7/600.1  
D660,088 S \* 5/2012 Tiemann ..... D7/600.1  
D660,652 S \* 5/2012 Tiemann ..... D7/600.1  
D661,950 S 6/2012 Greenwood  
D661,951 S \* 6/2012 Tiemann ..... D7/600.1  
D670,943 S \* 11/2012 Hertaus ..... D6/705  
D676,265 S \* 2/2013 Tawil ..... D6/705.6  
D676,715 S \* 2/2013 Tsai ..... D7/600.1  
D677,992 S \* 3/2013 Greenwood ..... D7/600.1  
D679,954 S \* 4/2013 Snider ..... D7/600.1  
D681,398 S \* 5/2013 Tsai ..... D7/600.1  
D682,039 S \* 5/2013 Tiemann ..... D7/600.4  
D682,040 S \* 5/2013 Tiemann ..... D7/600.4  
D684,404 S \* 6/2013 Hertaus ..... D6/705  
D686,464 S \* 7/2013 Tiemann ..... D7/600.1  
D701,432 S \* 3/2014 Tsai ..... D7/600.4  
D703,005 S \* 4/2014 Tiemann ..... D7/600.1  
D713,692 S \* 9/2014 Tsai ..... D7/600.1  
9,211,009 B2 \* 12/2015 Greenwood ..... A47B 73/00  
D769,073 S \* 10/2016 Lipper McCauley ..... D7/600.4  
D802,369 S \* 11/2017 Hertaus ..... D7/600.1  
D831,430 S \* 10/2018 Hertaus ..... D7/600.1  
2002/0066708 A1 6/2002 Gerard  
2006/0266723 A1 \* 11/2006 Nickerson ..... A47B 81/007  
211/94.01  
2007/0228909 A1 10/2007 Hwang et al.  
2009/0045201 A1 \* 2/2009 Cheng ..... A47B 55/02  
220/494

\* cited by examiner

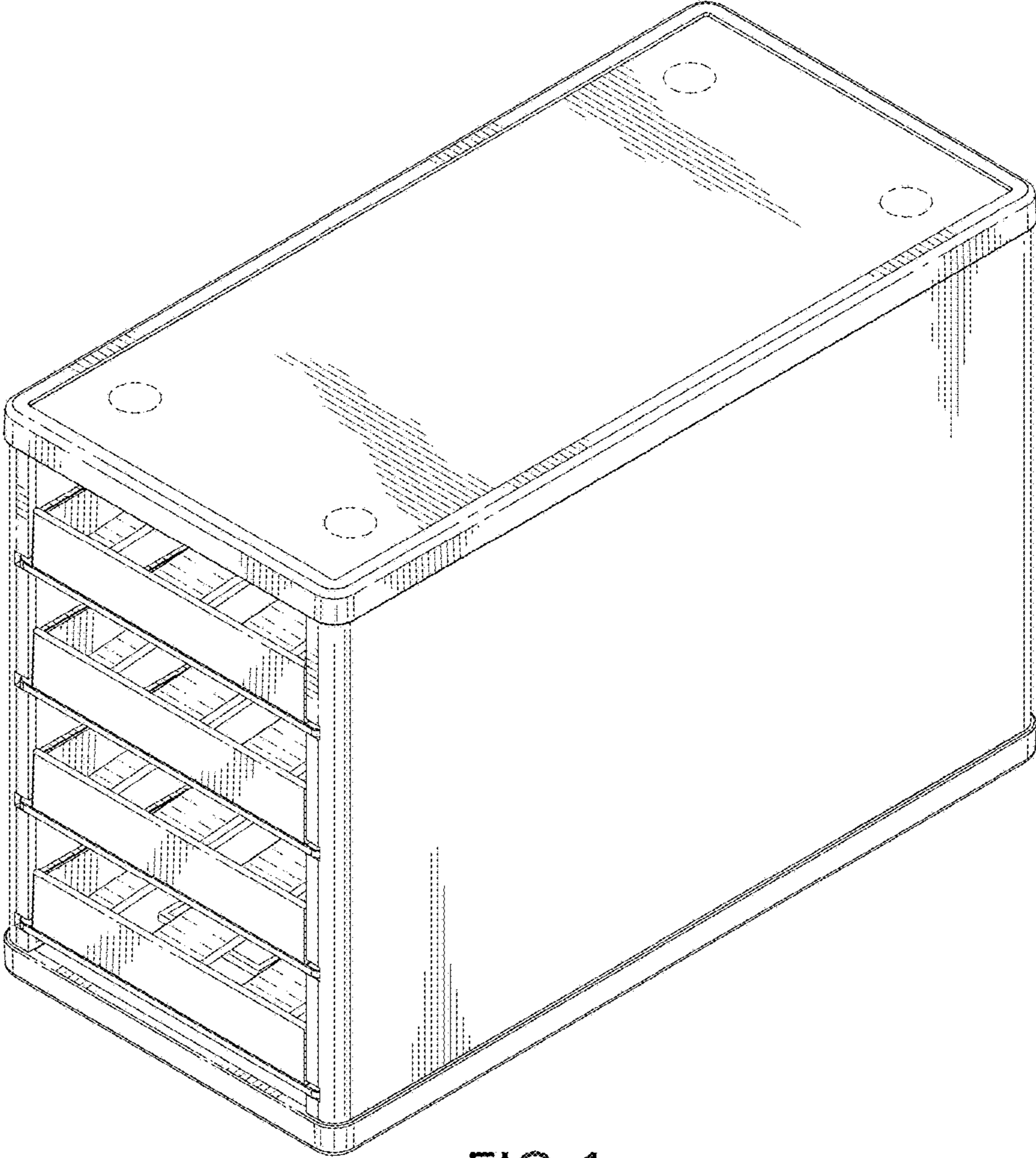


FIG. 1

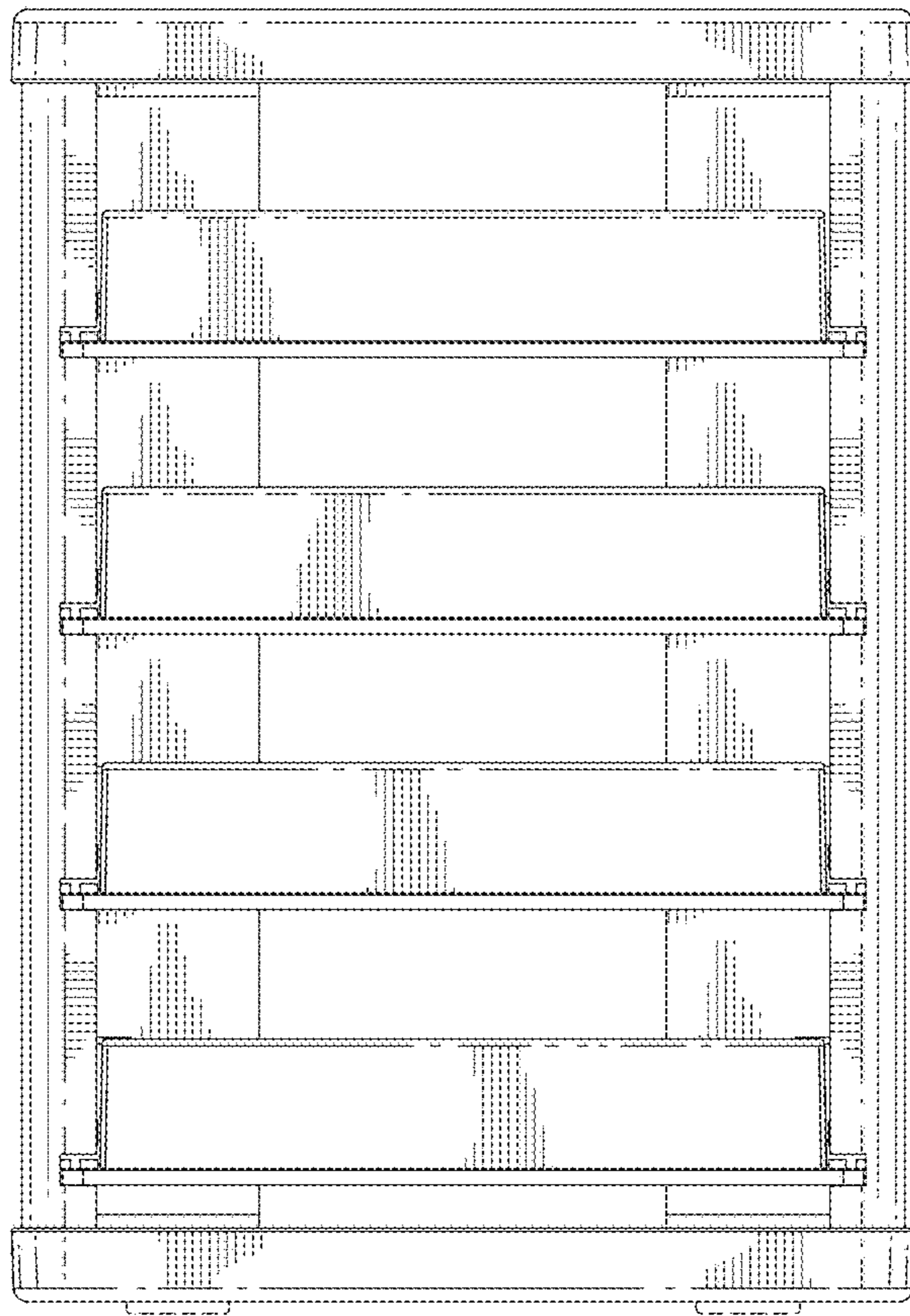


FIG.2

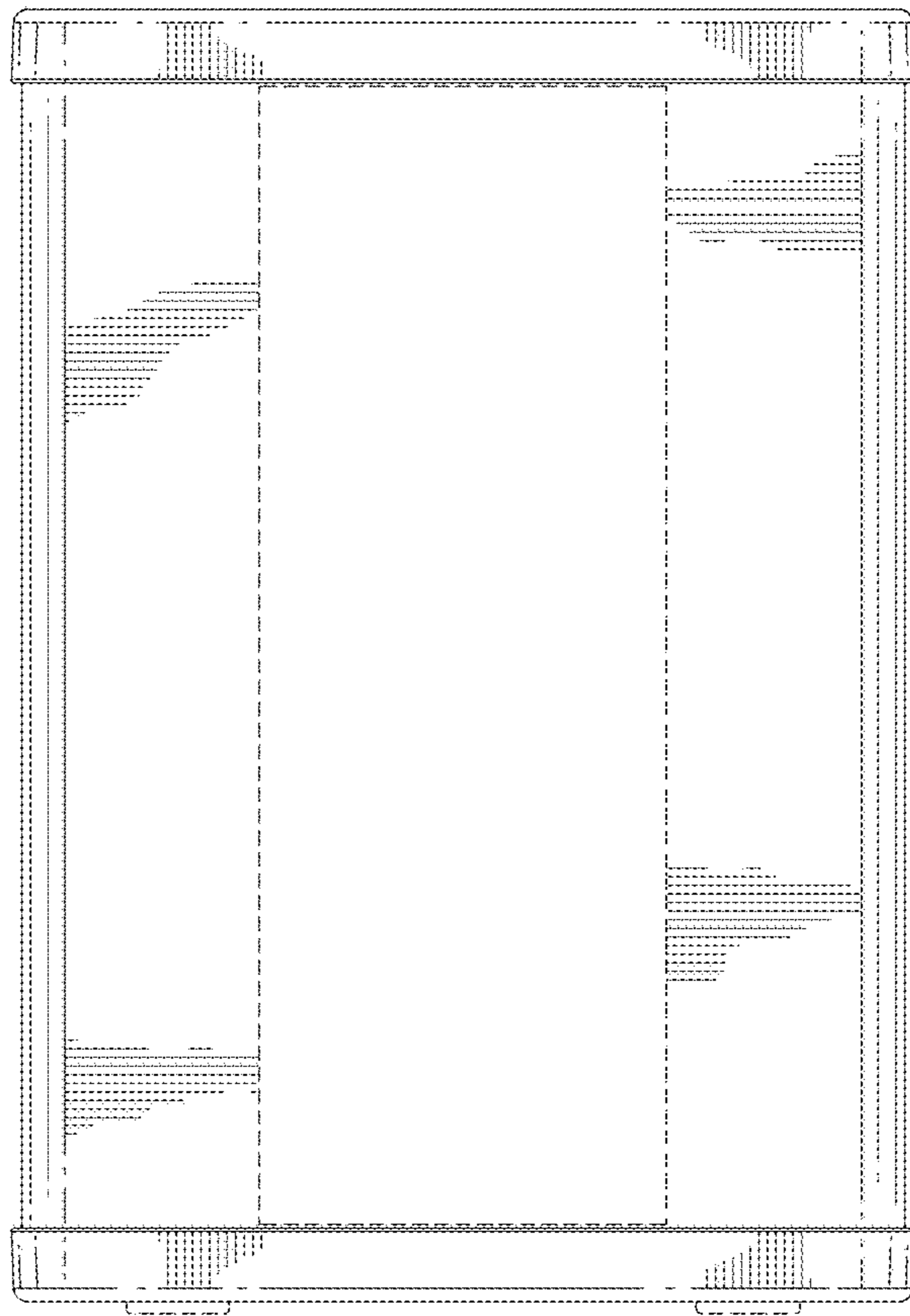


FIG. 3

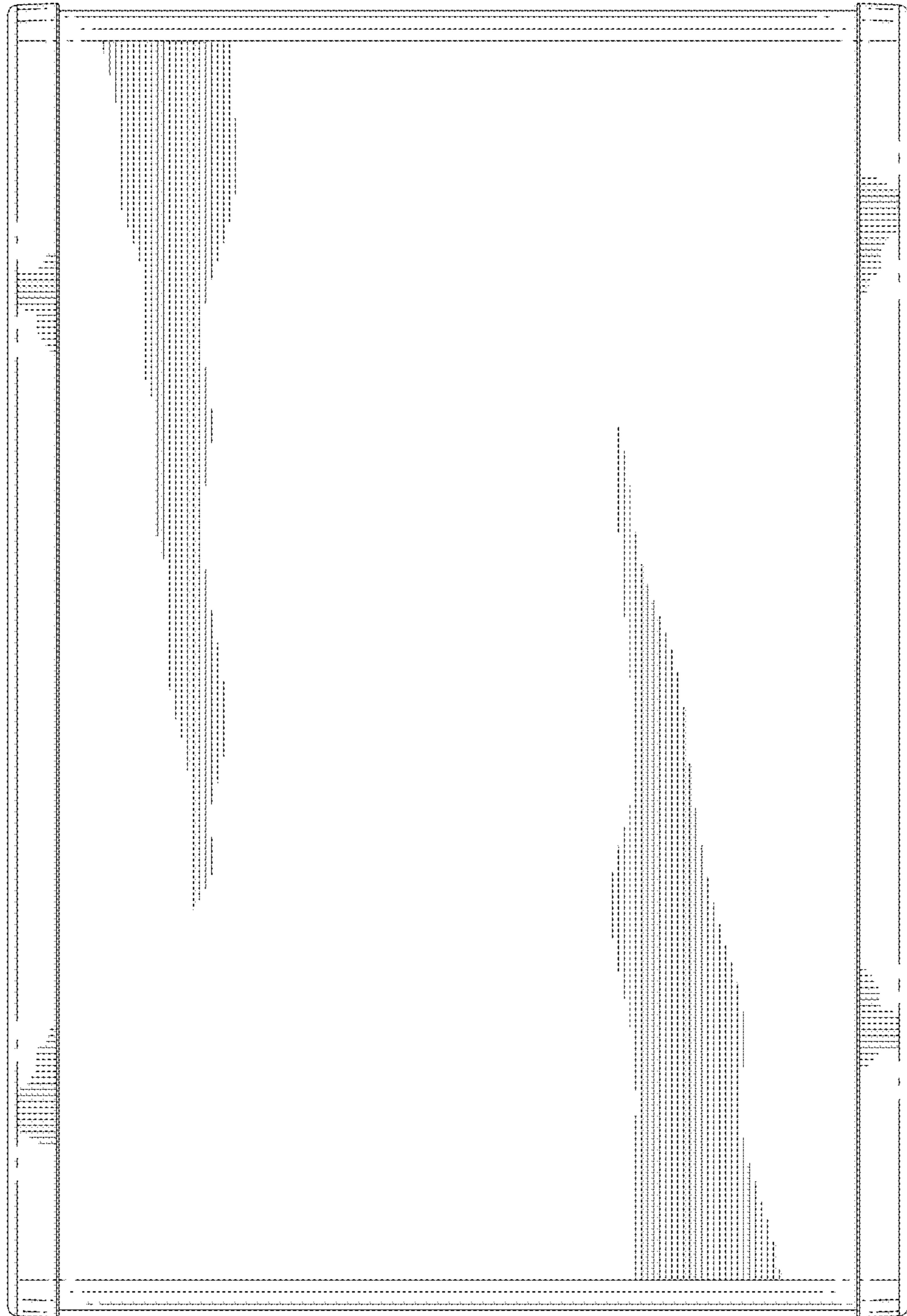


FIG. 4

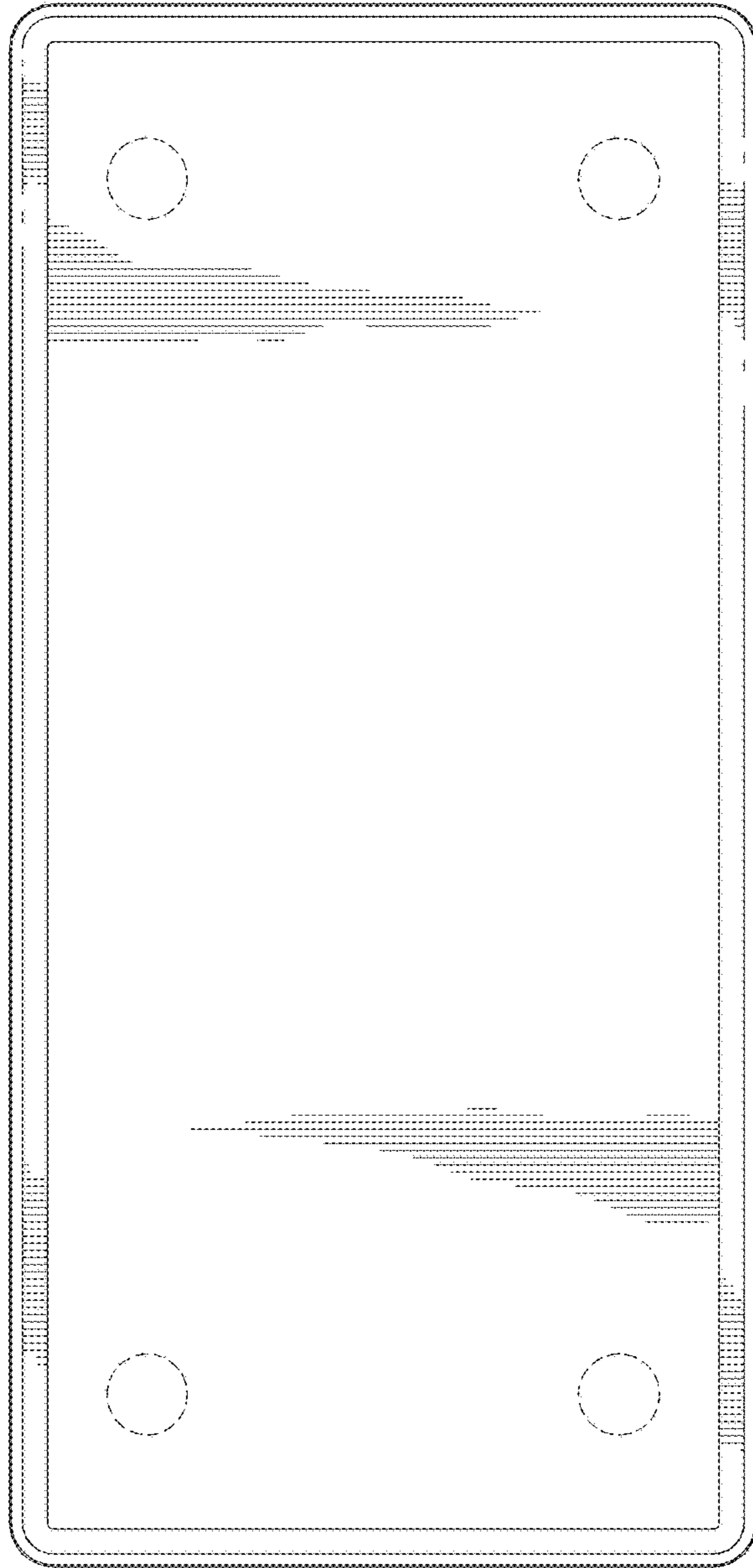
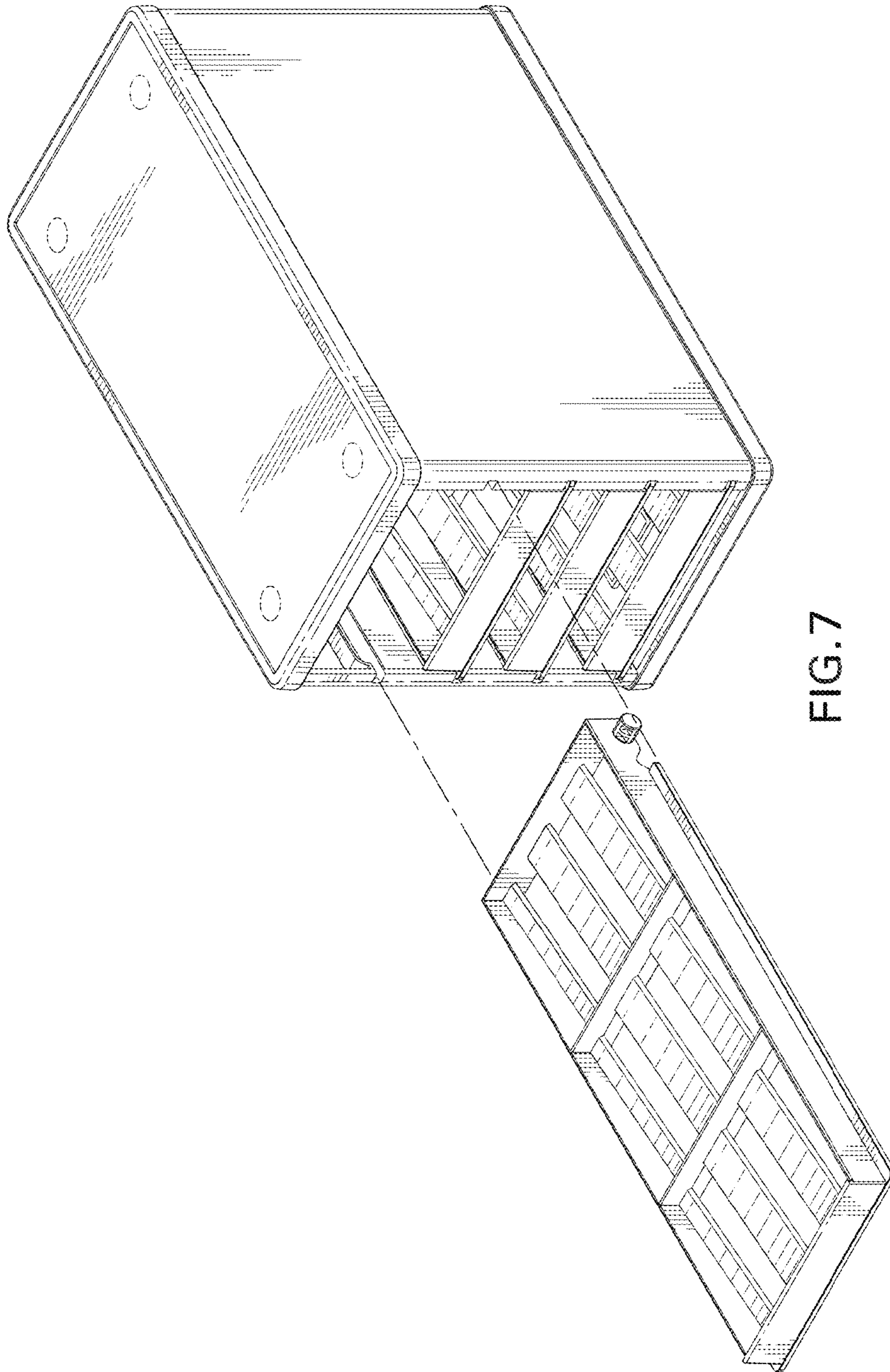


FIG. 5





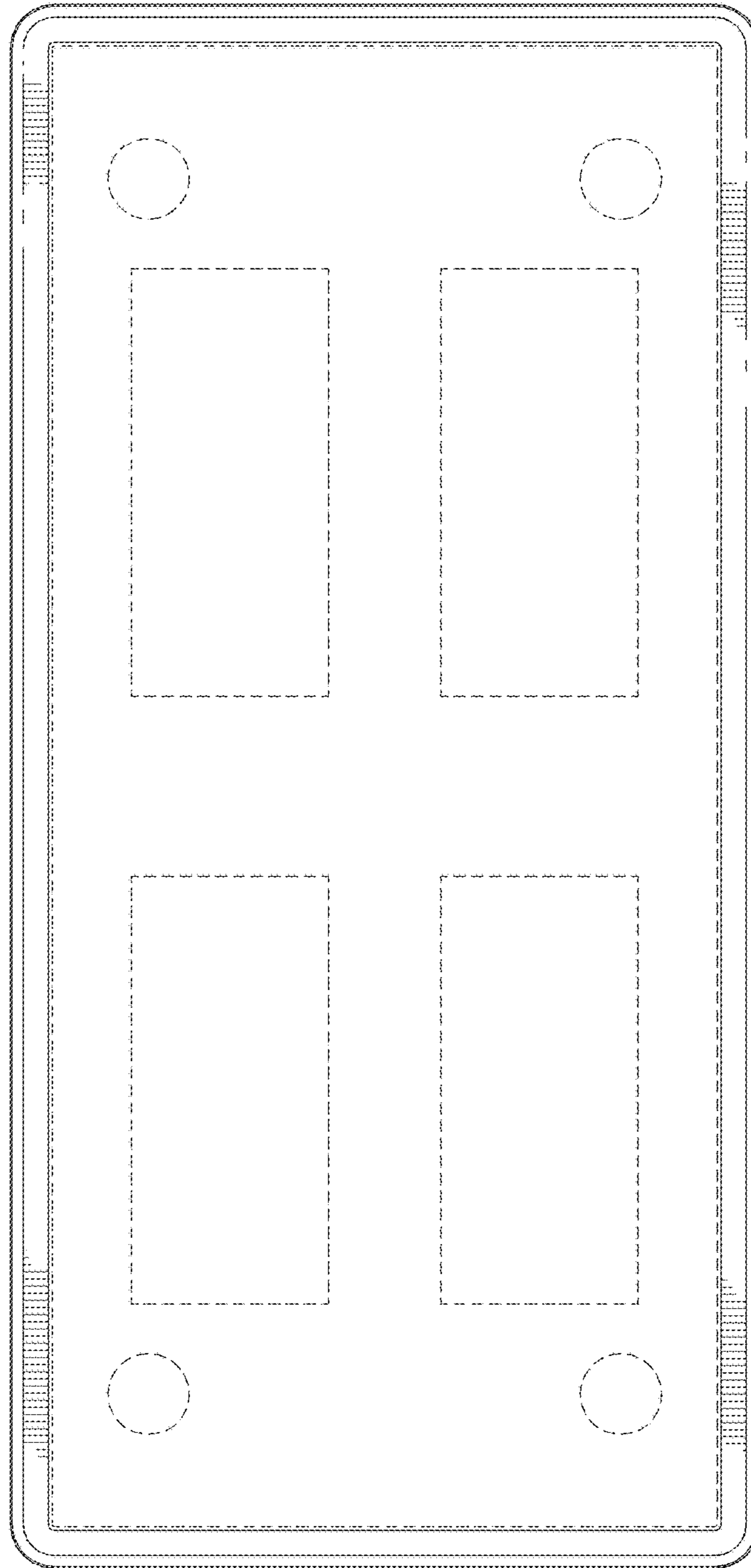


FIG. 6

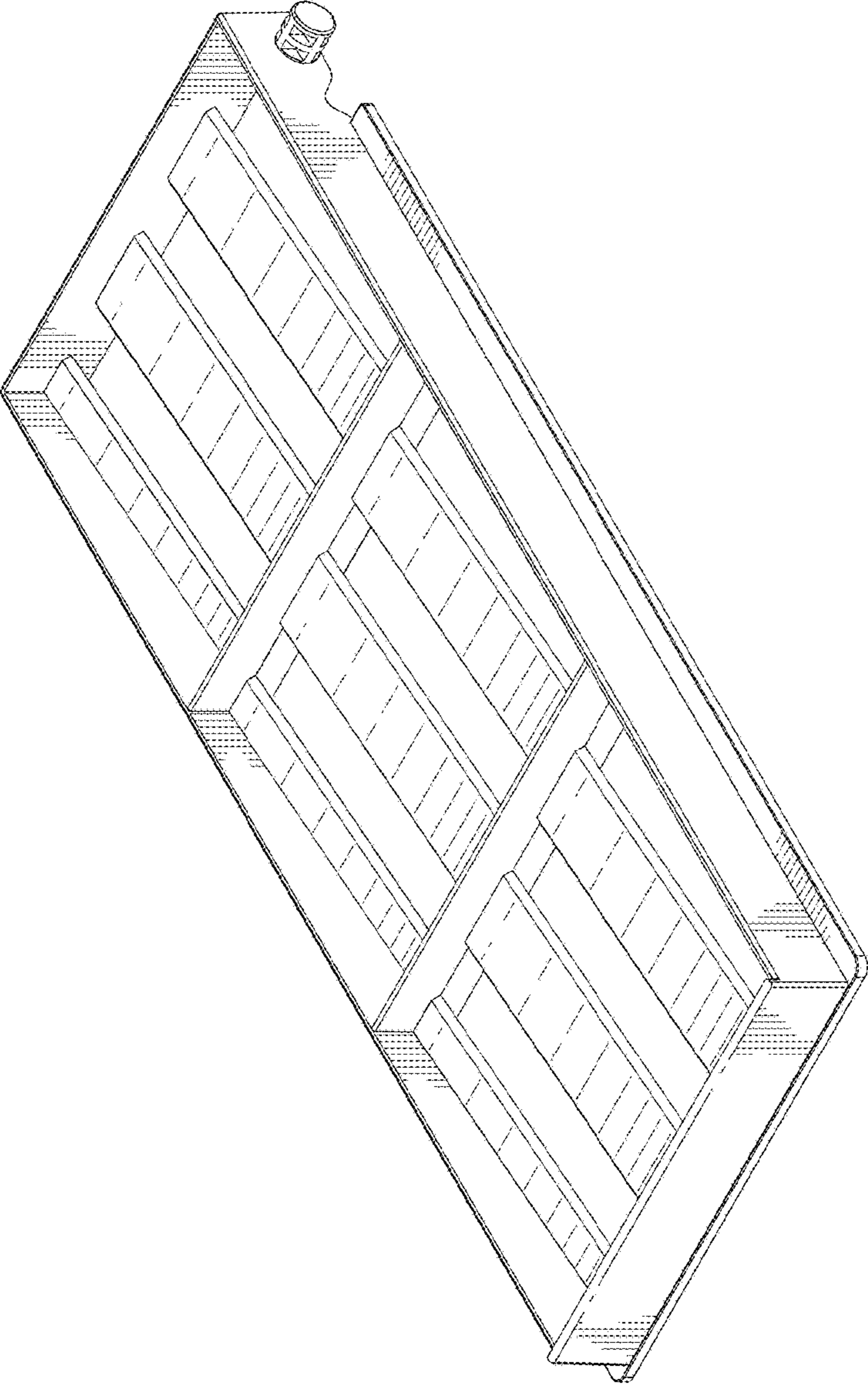


FIG.8



FIG. 9

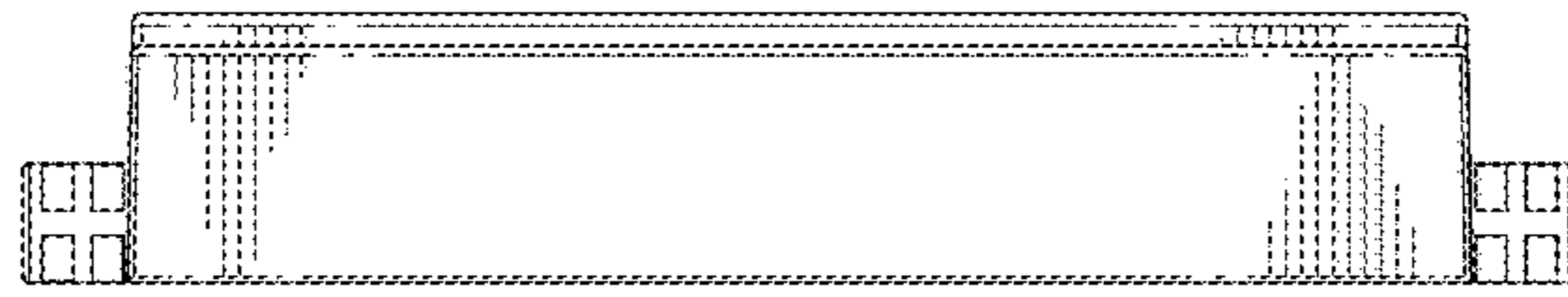


FIG. 10

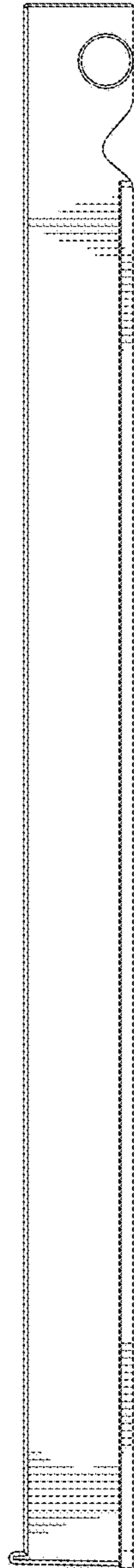


FIG.11

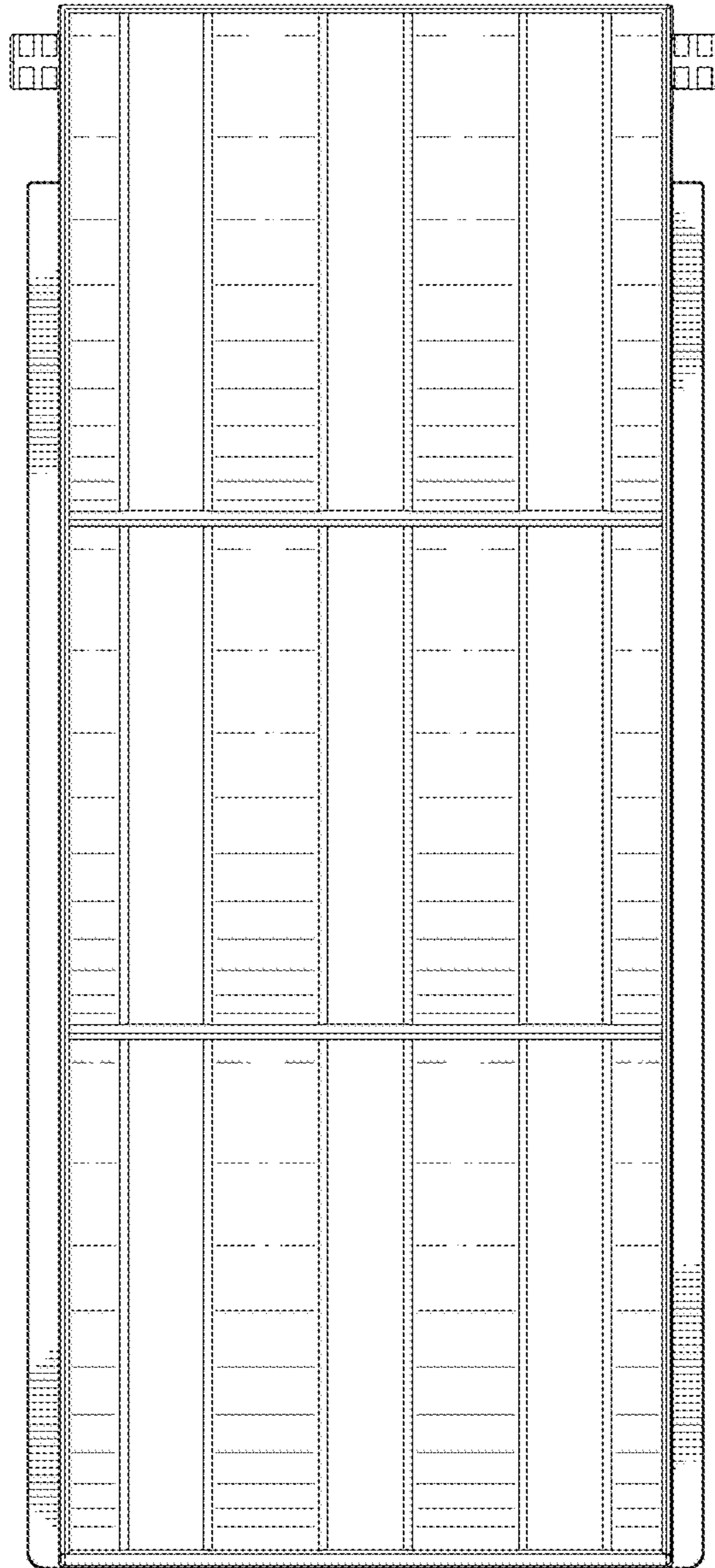


FIG. 12

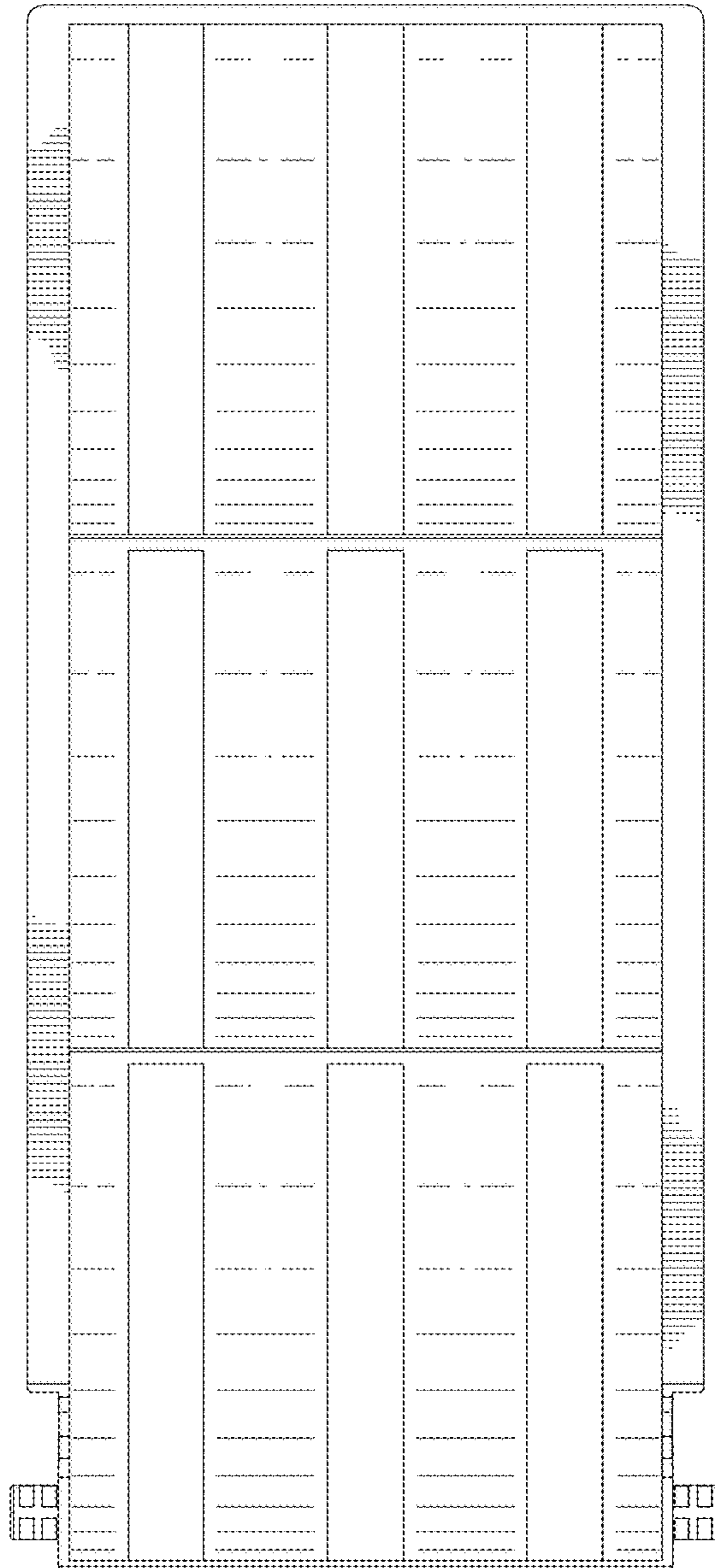


FIG. 13