



US00D859927S

(12) **United States Design Patent** (10) **Patent No.:** **US D859,927 S**
Stevens (45) **Date of Patent:** **** Sep. 17, 2019**

- (54) **COLLAPSIBLE BOWL**
- (71) Applicant: **DV International Inc.**, St. Paul, MN (US)
- (72) Inventor: **Hallie L. Stevens**, St. Paul, MN (US)
- (73) Assignee: **DV International Inc.**, St. Paul, MN (US)
- (**) Term: **15 Years**
- (21) Appl. No.: **29/644,889**
- (22) Filed: **Apr. 20, 2018**
- (51) **LOC (12) Cl.** **07-01**
- (52) **U.S. Cl.**
USPC **D7/587**
- (58) **Field of Classification Search**
USPC D7/500, 555, 585, 584, 587
CPC A47G 19/02
See application file for complete search history.

(56) **References Cited**

U.S. PATENT DOCUMENTS

D107,585 S *	12/1937	Titze	D7/542
2,533,853 A *	12/1950	Tinder	A47G 19/02
		220/574	
D213,428 S *	3/1969	Batdorf	D9/429
D246,288 S *	11/1977	Boucher	D7/359
D314,886 S *	2/1991	Zivin	D7/528
D398,967 S *	9/1998	Kohler, Jr.	D23/284
D409,447 S *	5/1999	Henry	D7/360
D414,080 S *	9/1999	Bolwien	D7/545
D442,019 S *	5/2001	Wyche	D7/354
D442,425 S *	5/2001	Wyche	D7/360
D443,049 S *	5/2001	Kuo	D23/293.1
D457,777 S *	5/2002	Bradley	D7/354
D467,126 S *	12/2002	Bradley	D7/545
D524,605 S *	7/2006	Czebiniak	D7/565
D539,094 S *	3/2007	Wasserman	D7/584

D545,133 S *	6/2007	Wasserman	D7/565
D547,615 S *	7/2007	Wasserman	D7/542
D551,909 S *	10/2007	Eide	D7/560
D568,113 S *	5/2008	Wasserman	D7/586
D571,614 S *	6/2008	Curtin	D7/545
D584,110 S *	1/2009	Hauser	D7/629
D598,244 S *	8/2009	Weber	D7/584
D611,769 S *	3/2010	Hauser	D7/584
D612,037 S *	3/2010	Jorgensen	D23/366
D614,991 S *	5/2010	White	D11/152
D626,790 S *	11/2010	Gibson	D7/325
D629,264 S *	12/2010	Curtin	D7/602
D631,296 S *	1/2011	Green-Cotton	D7/545
D631,703 S *	2/2011	Green-Cotton	D7/545
D631,783 S *	2/2011	White	D11/155
D631,784 S *	2/2011	White	D11/155
D632,135 S *	2/2011	Green-Cotton	D7/545

(Continued)

Primary Examiner — Cynthia R Underwood

(74) *Attorney, Agent, or Firm* — Pauly, DeVries Smith & Deffner LLC

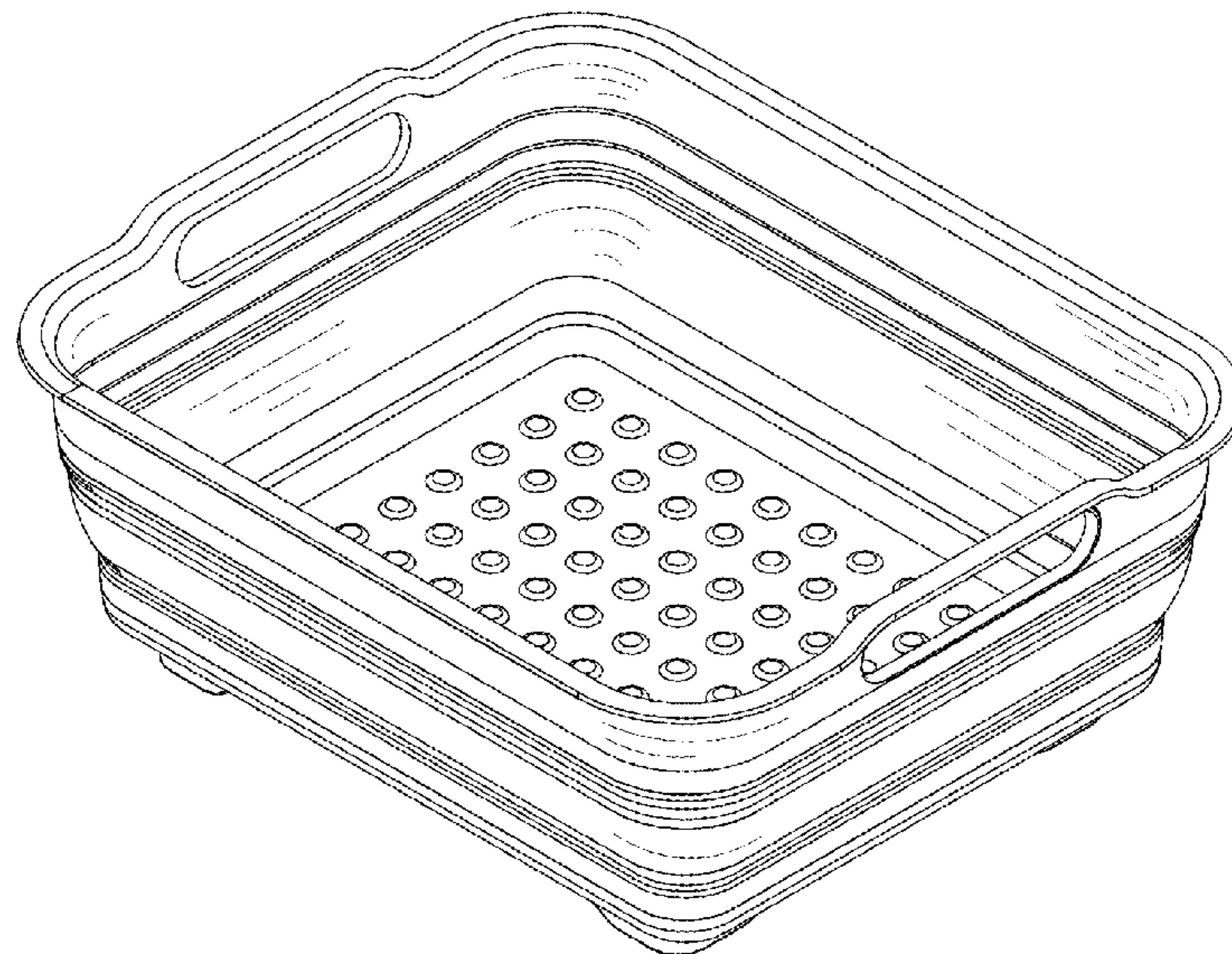
(57) **CLAIM**

The ornamental design for a collapsible bowl, as shown and described.

DESCRIPTION

FIG. 1 is a perspective view of the collapsible bowl.
 FIG. 2 is a top plan view of the collapsible bowl.
 FIG. 3 is a front elevational view of the collapsible bowl.
 FIG. 4 is a rear elevational view of the collapsible bowl.
 FIG. 5 is a right side elevational view of the collapsible bowl.
 FIG. 6 is a left side elevational view of the collapsible bowl.
 FIG. 7 is a bottom plan view of the collapsible bowl; and,
 FIG. 8 is a cross-sectional view of the collapsible bowl along the line A-A of FIG. 7.
 The broken lines in the drawings illustrate portions of the collapsible bowl that form no part of the claim.

1 Claim, 4 Drawing Sheets



(56)

References Cited

U.S. PATENT DOCUMENTS

D656,593	S *	3/2012	Stauffer	D23/293.1
D697,760	S *	1/2014	Uchida	D7/558
D699,078	S *	2/2014	Katterheinrich	D7/587
D700,479	S *	3/2014	Penttinen	D7/532
D731,245	S *	6/2015	Beller	D7/523
D739,782	S *	9/2015	Pettigrew	D11/152
D741,741	S *	10/2015	Godfrey	D11/152
D783,365	S *	4/2017	Hsu	D7/584
D786,622	S *	5/2017	Passot	D7/584
D786,624	S *	5/2017	Passot	D7/584
D806,481	S *	1/2018	Hinze	D7/558
D816,417	S *	5/2018	Hutton	D7/565
D820,721	S *	6/2018	Wang	D11/143
D824,216	S *	7/2018	Nicoletos	D7/584
D826,622	S *	8/2018	Shah	D7/359
D833,329	S *	11/2018	Ryan	D11/153
2005/0127074	A1 *	6/2005	Kusuma	B65D 21/086 220/6

* cited by examiner

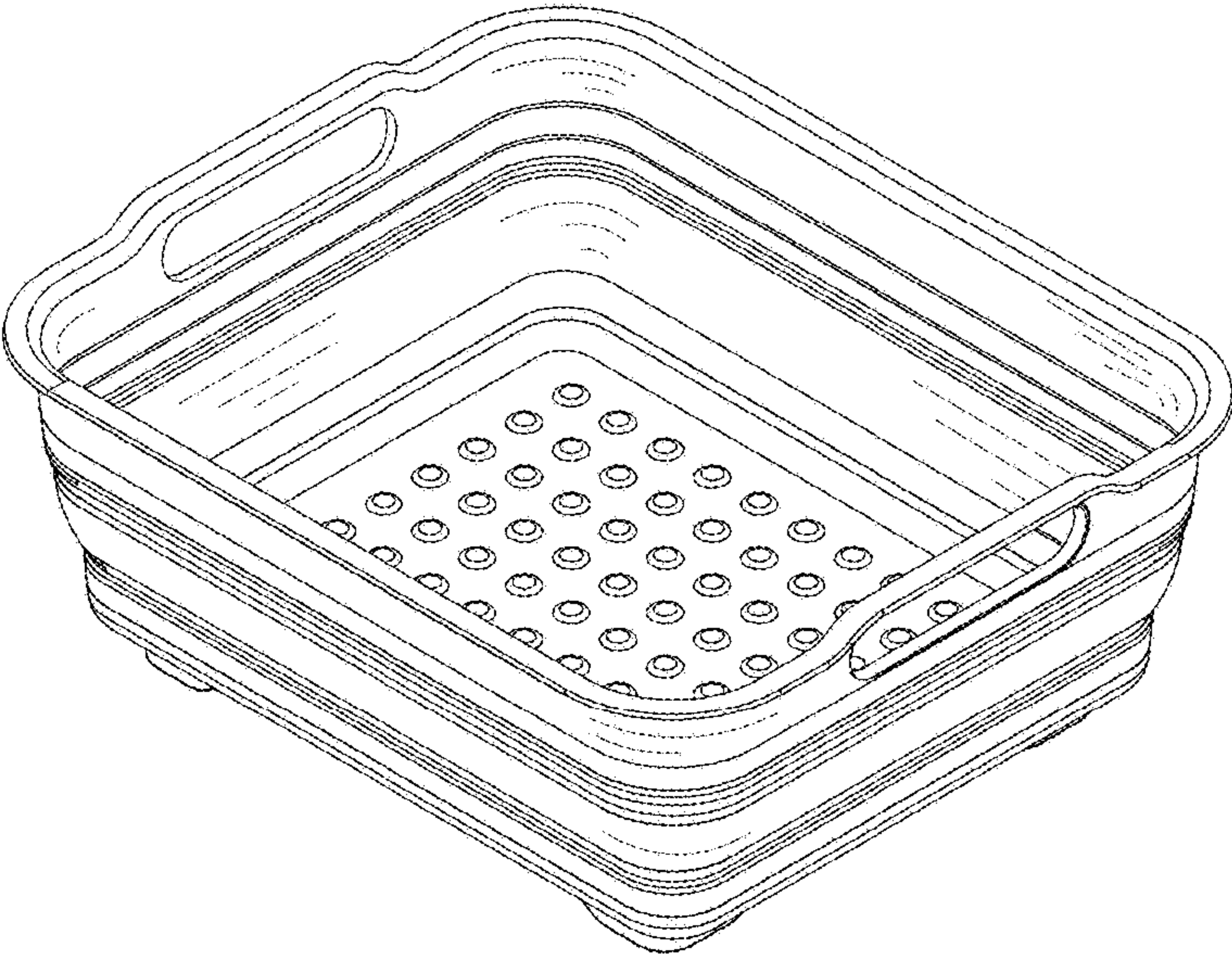


FIG. 1

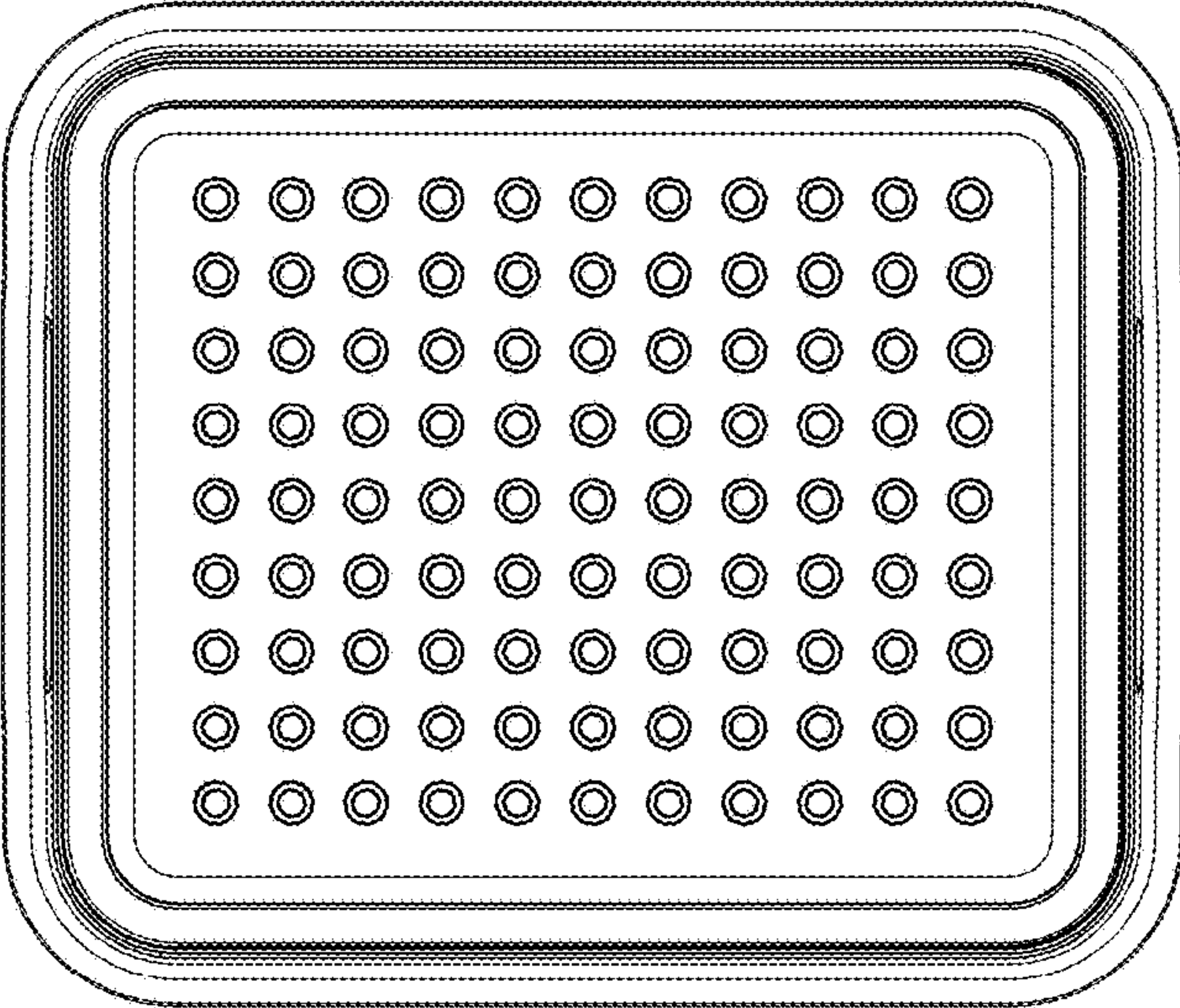


FIG. 2

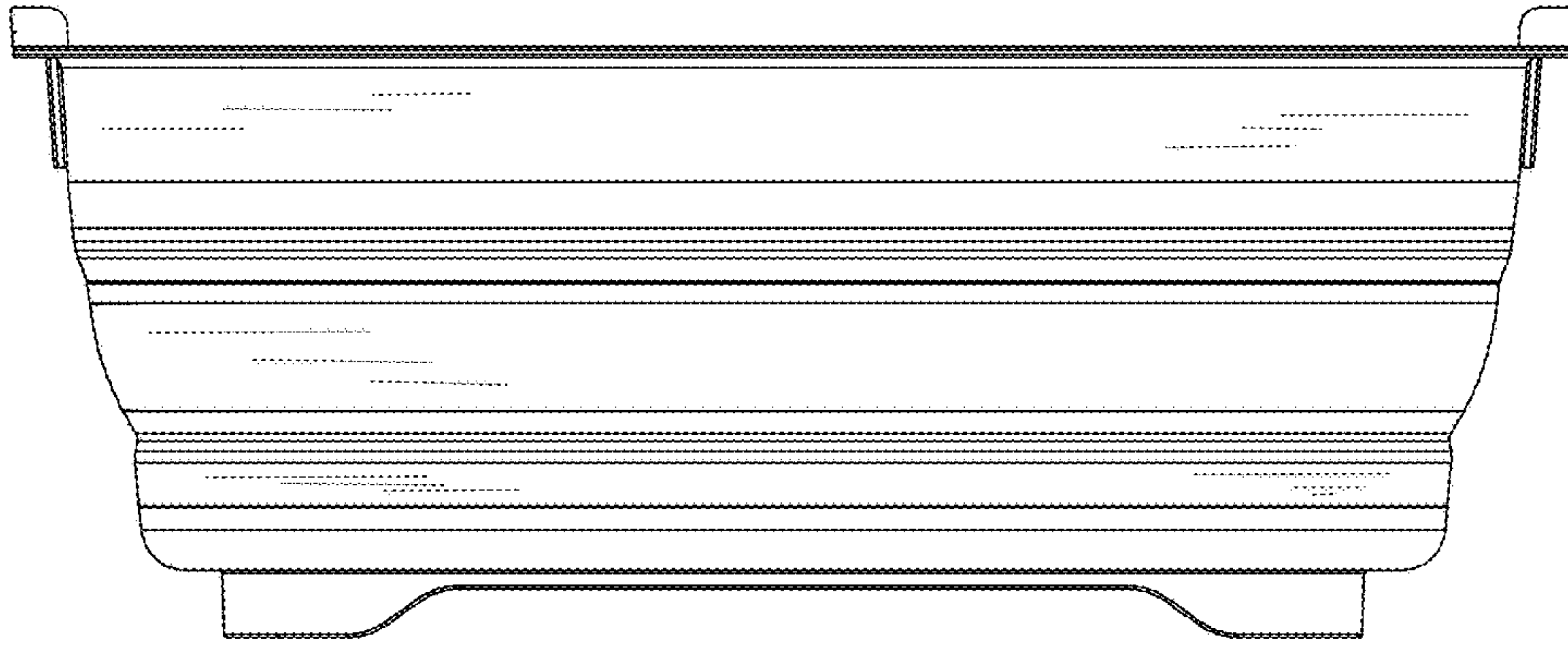


FIG. 3

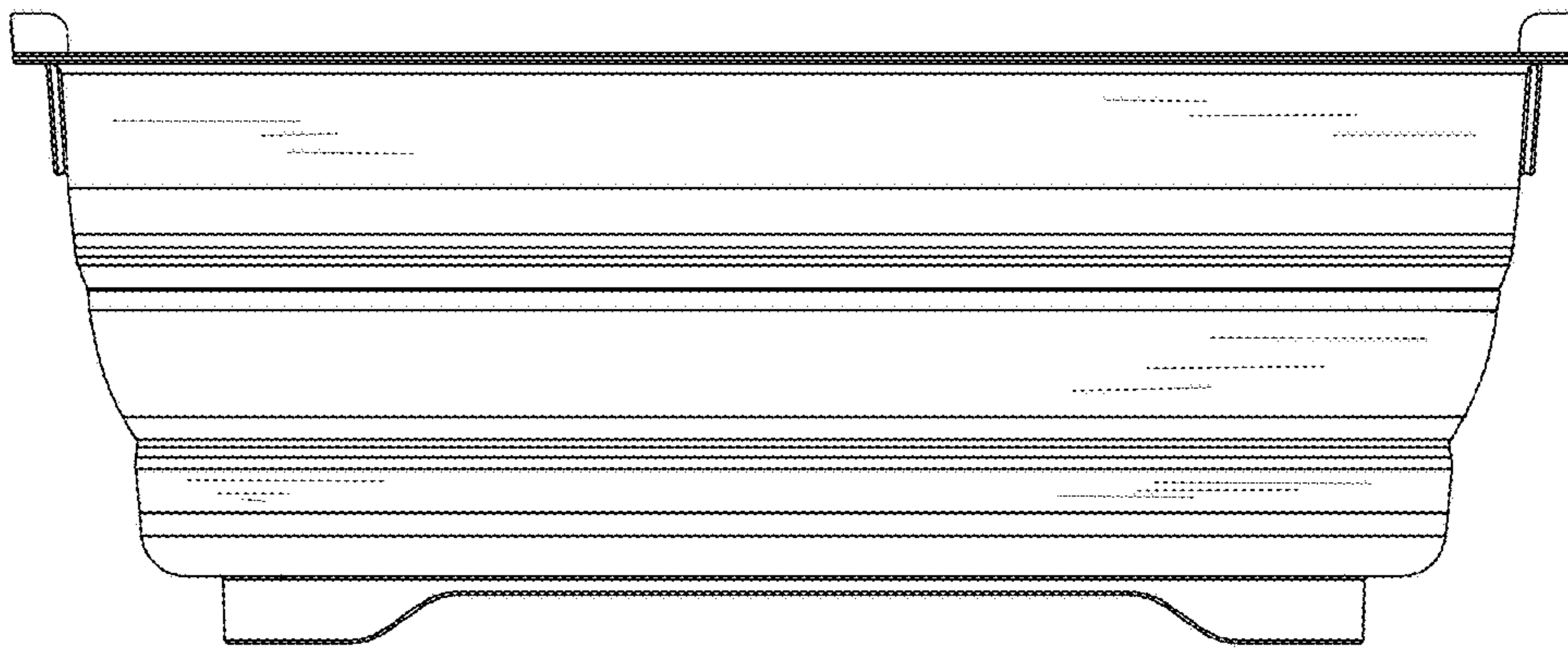


FIG. 4

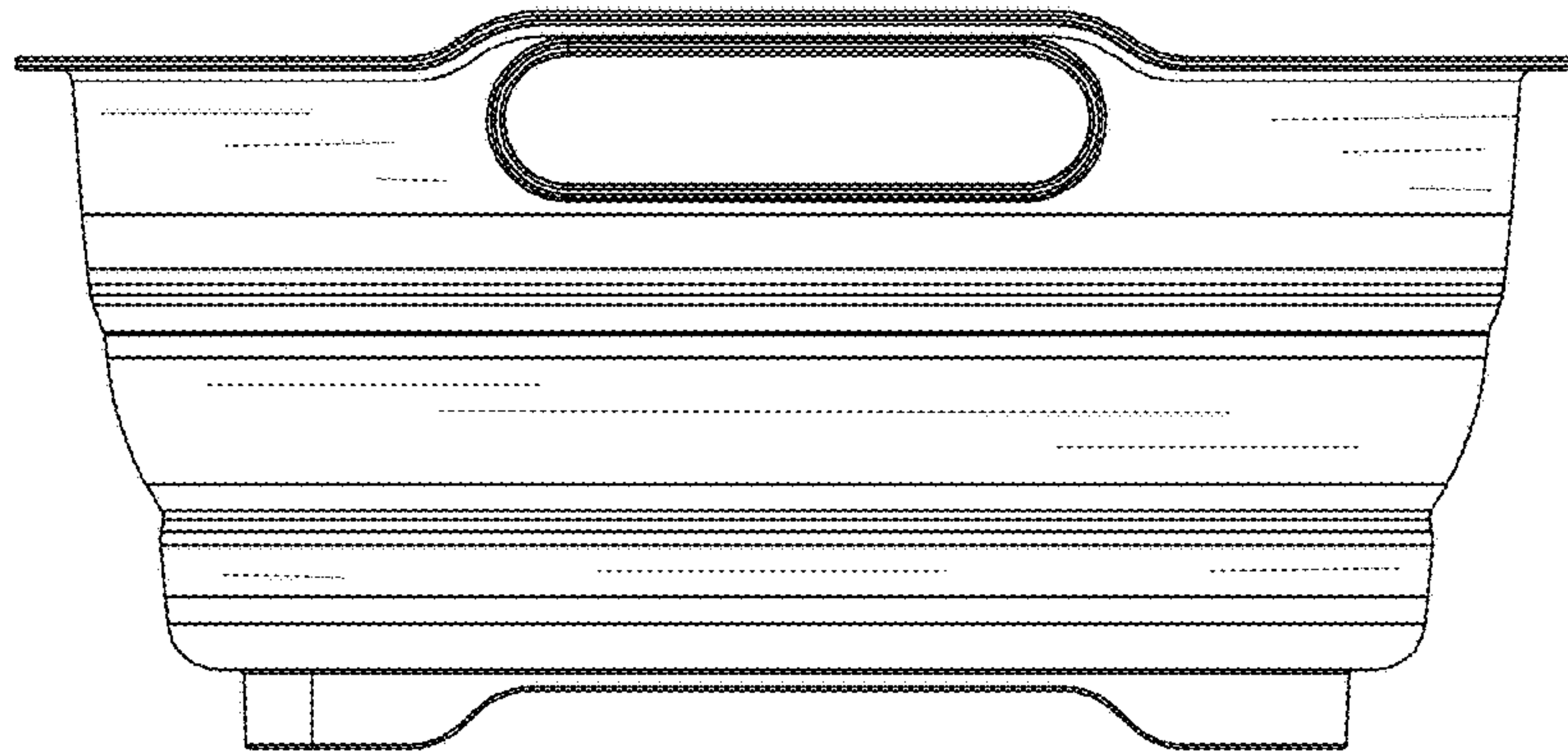


FIG. 5

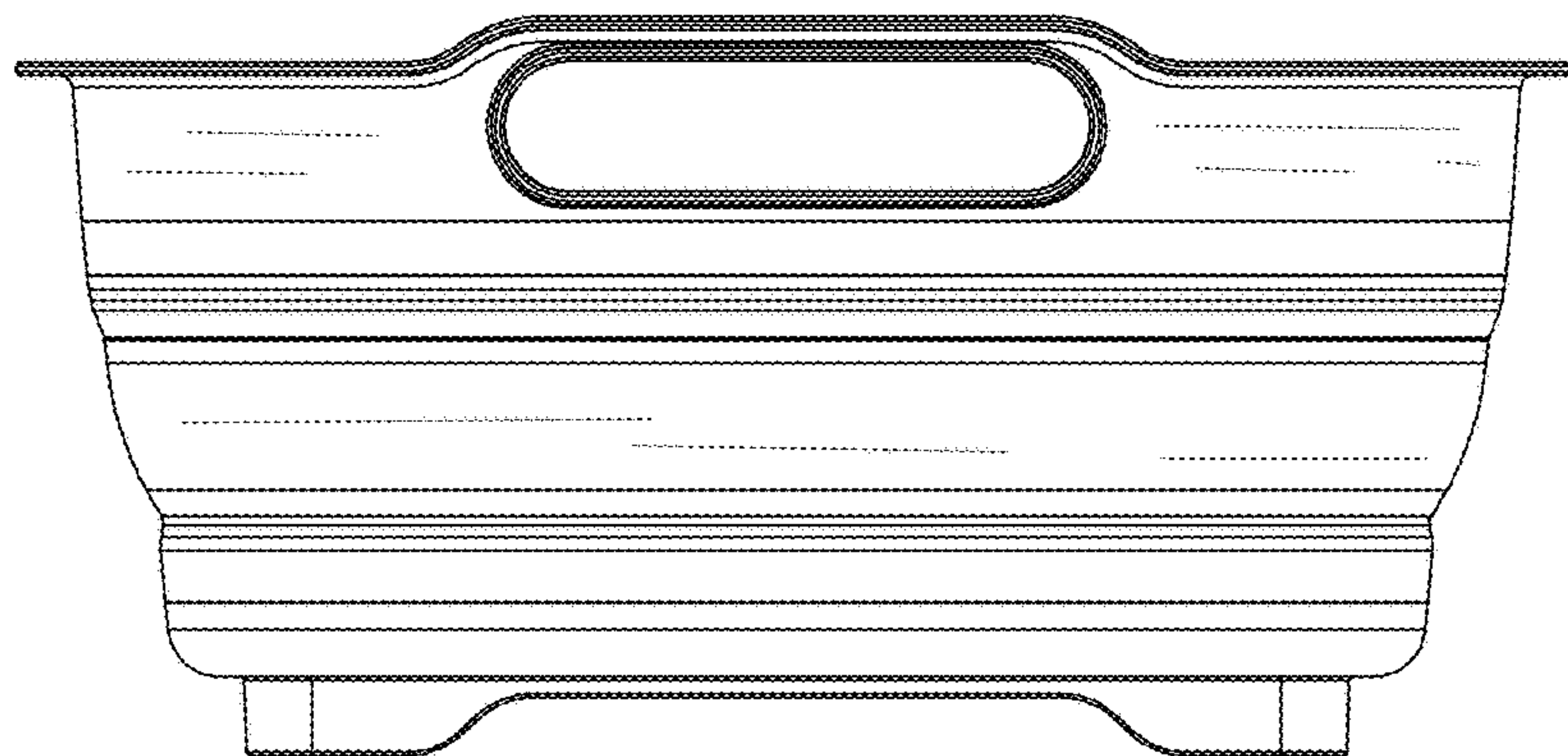


FIG. 6

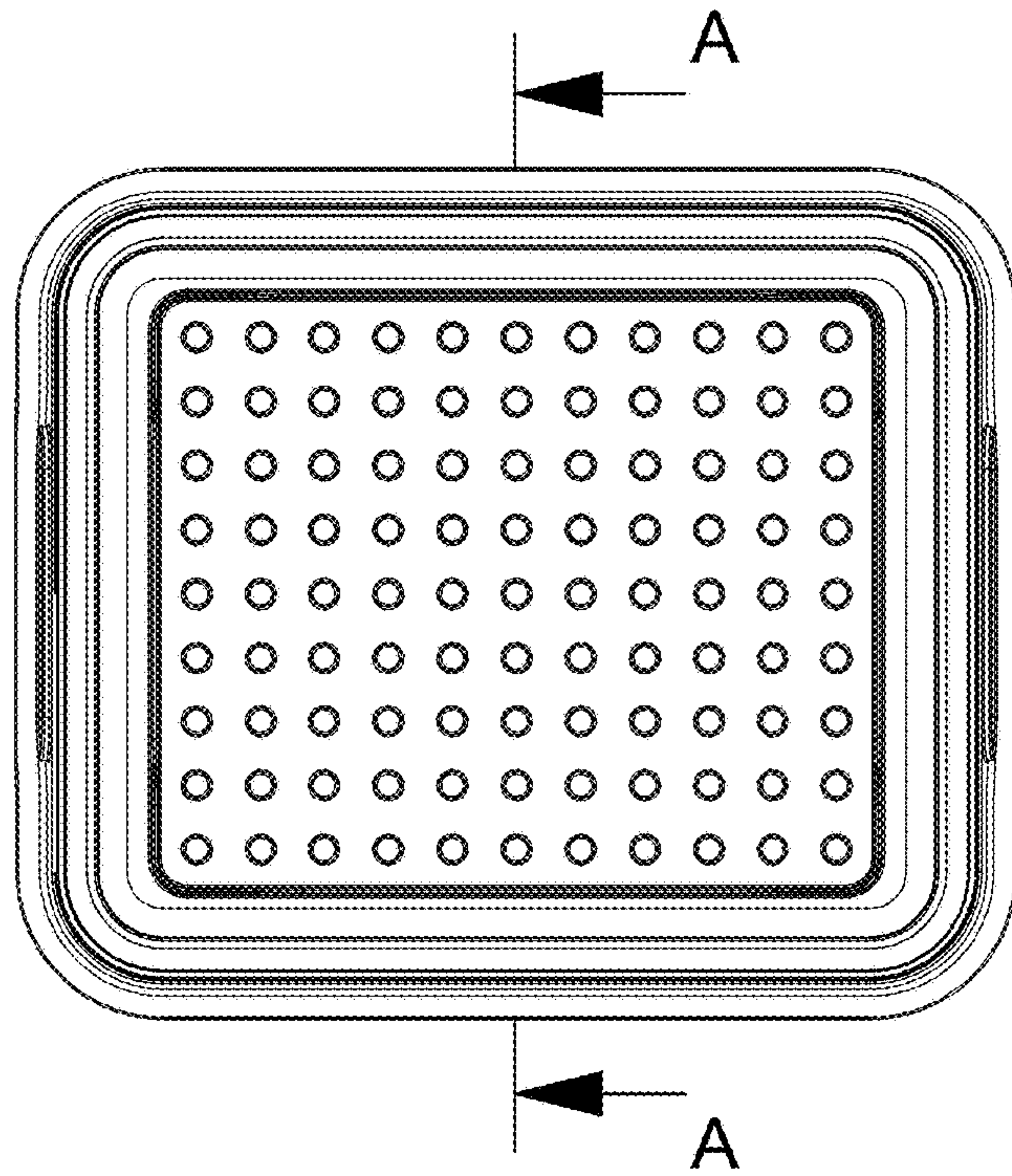


FIG. 7



FIG. 8