



US00D859924S

(12) **United States Design Patent** (10) **Patent No.:** **US D859,924 S**
Kasha (45) **Date of Patent:** **** Sep. 17, 2019**

(54) **DOUBLE-WALLED VESSEL**
(71) Applicant: **Adam Kasha**, Ann Arbor, MI (US)
(72) Inventor: **Adam Kasha**, Ann Arbor, MI (US)
(**) Term: **15 Years**
(21) Appl. No.: **29/613,688**
(22) Filed: **Aug. 11, 2017**
(51) **LOC (12) Cl.** **07-01**
(52) **U.S. Cl.**
USPC **D7/584**
(58) **Field of Classification Search**
USPC 206/561; D7/557, 587, 558, 541, 584,
D7/588; 220/574
CPC A47G 23/06; A47G 19/02; A47G 19/2205
See application file for complete search history.

D743,208 S * 11/2015 Thun D7/509
D750,938 S * 3/2016 Thun D7/523
9,440,835 B2 * 9/2016 Springer A47G 19/2205
D777,521 S * 1/2017 Struggl D7/534
D793,170 S * 8/2017 Karussi D7/538
D794,393 S * 8/2017 Karussi D7/538
D794,394 S * 8/2017 Karussi D7/538
D806,478 S * 1/2018 Struggl D7/523
D806,481 S * 1/2018 Hinze D7/558
D807,121 S * 1/2018 Mittal D7/587
D828,101 S * 9/2018 Kasha D7/584
D828,102 S * 9/2018 Kasha D7/584
D828,103 S * 9/2018 Kasha D7/584
D828,725 S * 9/2018 Kasha D7/584
2010/0288776 A1 * 11/2010 Bodum A47J 41/0077
220/592.2
2014/0041751 A1 * 2/2014 Stern A47G 19/2205
141/1
2014/0124470 A1 * 5/2014 Alberts A47G 19/2288
215/12.1
2017/0188729 A1 * 7/2017 Fenelon A47G 19/2205

* cited by examiner

(56) **References Cited**

U.S. PATENT DOCUMENTS

5,813,638 A * 9/1998 Morris A47G 19/08
220/574
6,314,911 B1 * 11/2001 Kaytovich A01K 5/0114
119/61.5
D597,792 S * 8/2009 Lion D7/509
D599,619 S * 9/2009 Bodum D7/509
D622,548 S * 8/2010 Jensen D7/509
D623,897 S * 9/2010 Ross D7/507
D626,790 S * 11/2010 Gibson D7/325
D631,294 S * 1/2011 Ross D7/507
D637,456 S * 5/2011 Creech D7/509
D650,633 S * 12/2011 Birgers D7/509
D651,467 S * 1/2012 Bodum D7/509
D698,603 S * 2/2014 Huckestein D7/509
D742,176 S * 11/2015 Thun D7/509

Primary Examiner — Cynthia R Underwood

(74) *Attorney, Agent, or Firm* — John G. Posa; Belzer PC

(57) **CLAIM**

The ornamental design for a double-walled vessel, as shown and described.

DESCRIPTION

FIG. 1 is an oblique view of the claimed design seen from a first perspective;
FIG. 2 is an side view of the claimed design;
FIG. 3 is a top view of the claimed design; and,
FIG. 4 is a bottom view of the claimed design.

1 Claim, 2 Drawing Sheets

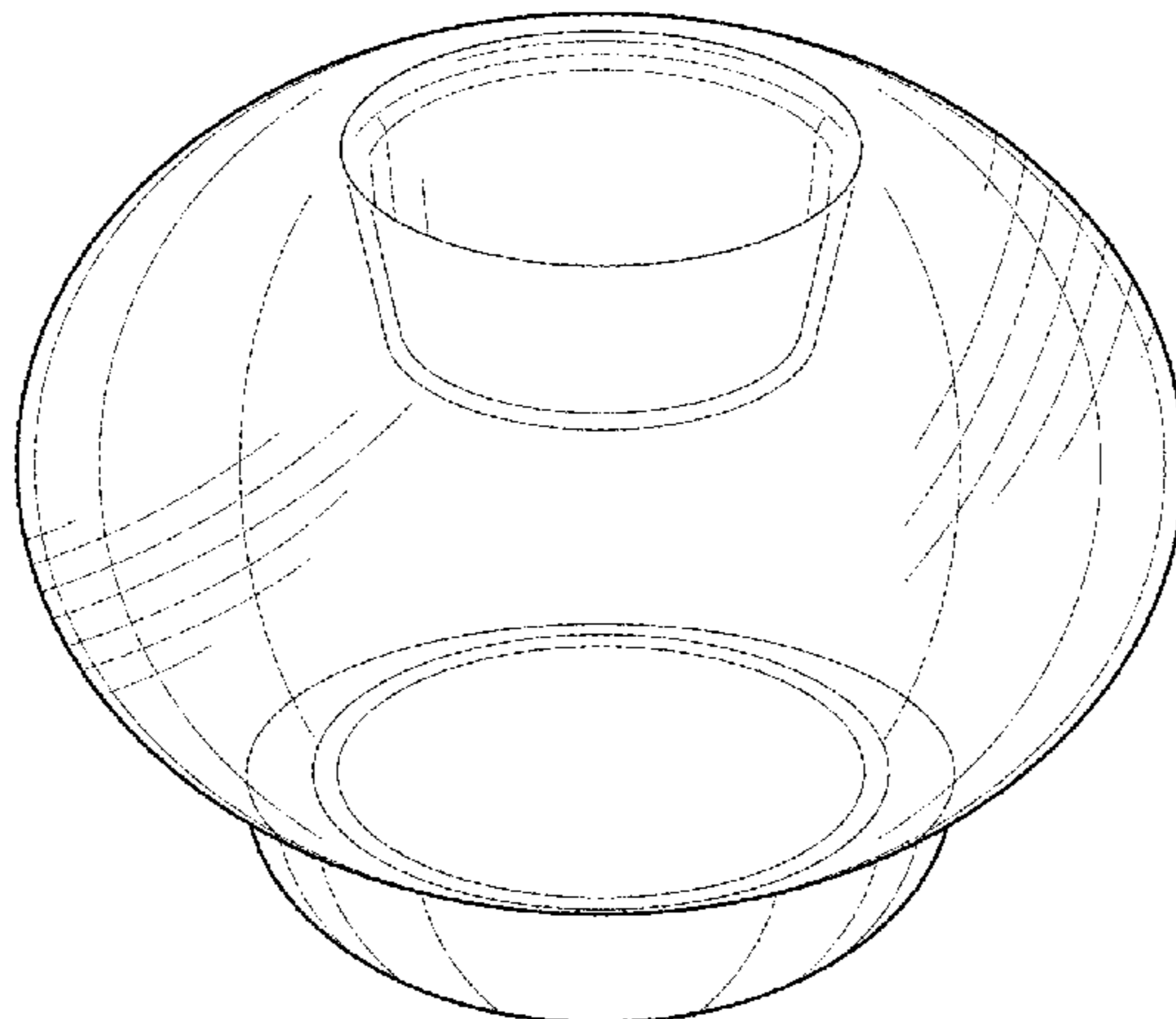


FIG. 1

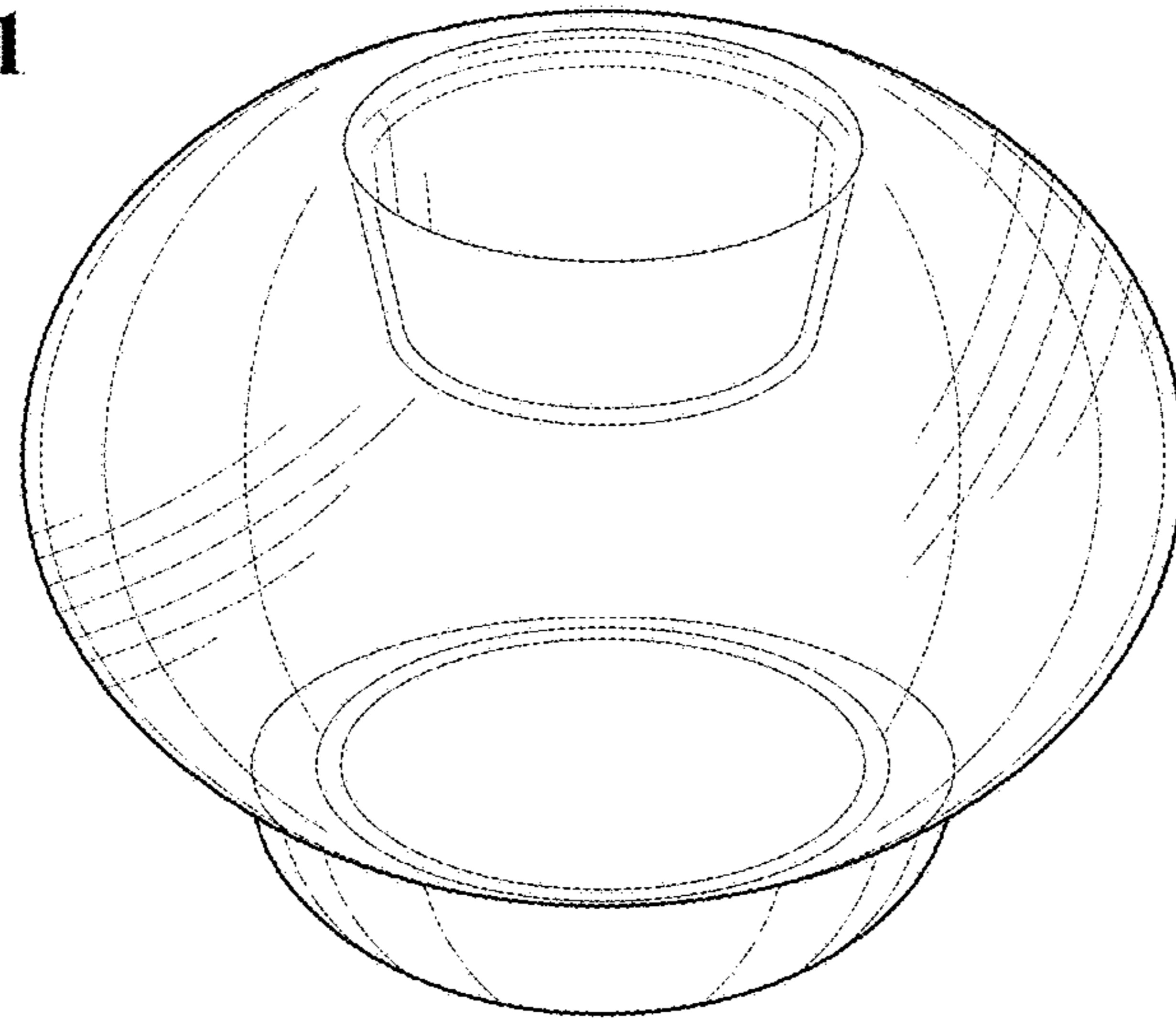


FIG. 2

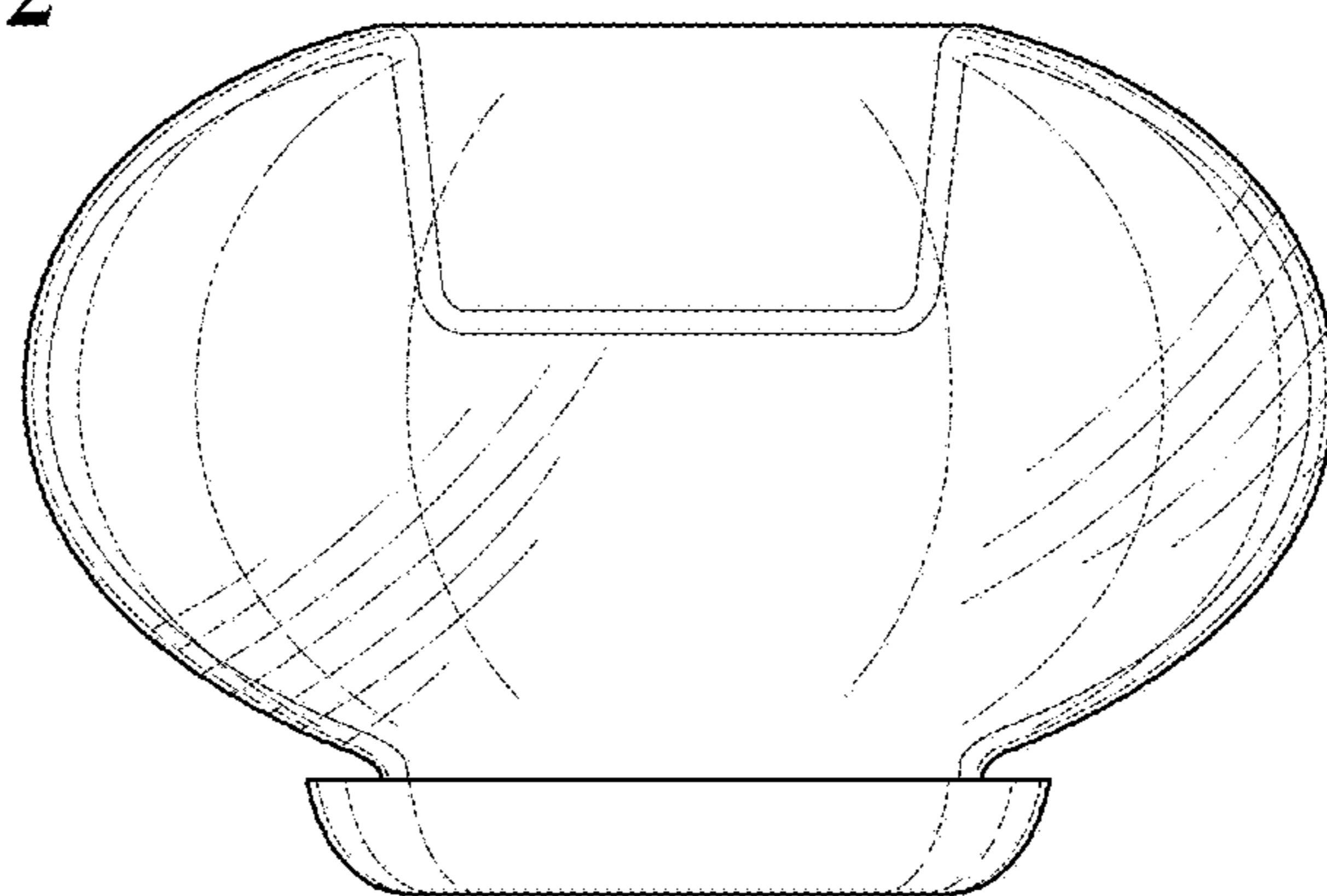


FIG. 3

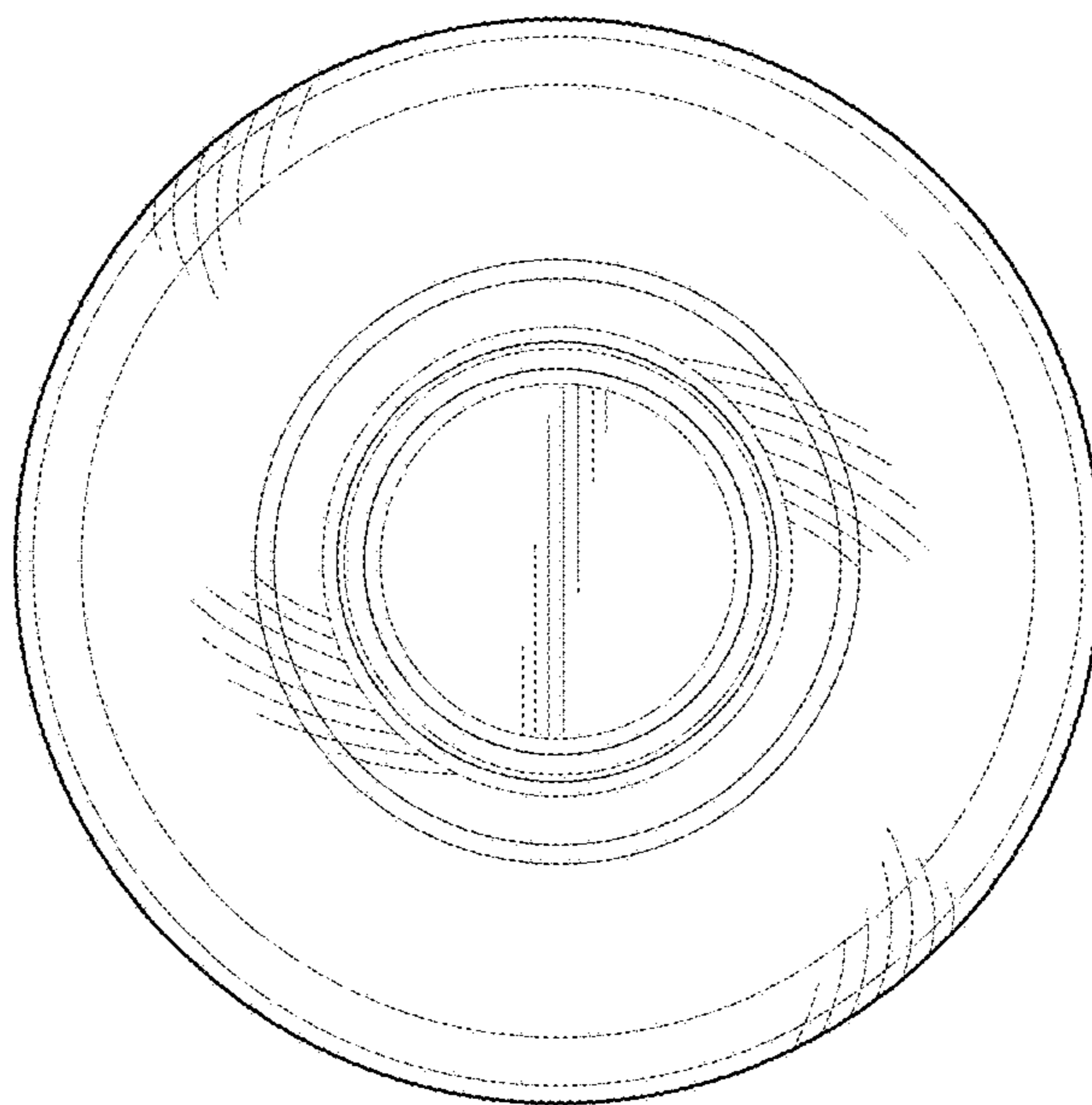


FIG. 4

