



US00D859923S

(12) **United States Design Patent**  
**Danner**

(10) **Patent No.:** **US D859,923 S**

(45) **Date of Patent:** **\*\* Sep. 17, 2019**

- (54) **INSULATED GLASS**
- (71) Applicant: **Sun Danner Lodge & Pub Glassware, LLC, Bixby, OK (US)**
- (72) Inventor: **Dan G. Danner, Bixby, OK (US)**
- (73) Assignee: **Sun Danner Lodge & Pub Glassware, LLC, Bixby, OK (US)**

(\*\*) Term: **15 Years**

(21) Appl. No.: **29/615,470**

(22) Filed: **Aug. 29, 2017**

**Related U.S. Application Data**

(63) Continuation-in-part of application No. 29/596,839, filed on Mar. 10, 2017, which is a continuation-in-part of application No. 14/473,091, filed on Aug. 29, 2014.

(51) **LOC (12) Cl.** ..... **07-01**

(52) **U.S. Cl.**  
USPC ..... **D7/523; D7/532**

(58) **Field of Classification Search**  
USPC ..... D7/505, 507, 509, 510, 511, 523, 530, D7/531, 532, 300.1, 512, 513, 396.1, D7/396.2, 552.2, 553.6, 584, 672, 554.3, D7/557, 560, 562, 635, 608, 605, 396.4; 220/592.16, 592.17; D9/453, 570, 557, D9/556, 569; D11/143, 144, 153; D99/25

CPC ..... A47G 19/22; A47G 19/2205; A47G 19/2266; A47G 19/2227; A47G 19/2288; B65D 1/265; B65D 3/06; A45F 3/20

See application file for complete search history.

(56) **References Cited**

**U.S. PATENT DOCUMENTS**

- D47,759 S \* 8/1915 Pick ..... D7/523
- 2,327,078 A \* 8/1943 Teetor ..... A47G 19/22  
215/6

- 2,612,031 A \* 9/1952 Cockriel ..... A47G 19/22  
215/392
- 2,622,415 A \* 12/1952 Smith ..... A47G 19/2288  
220/592.01
- 2,661,889 A \* 12/1953 Phinney ..... A47G 19/2272  
215/12.1
- 2,715,326 A \* 8/1955 Gits ..... B29C 45/26  
215/10
- 2,832,493 A \* 4/1958 Murphy ..... A47G 23/03  
215/12.1
- 3,205,677 A \* 9/1965 Stoner ..... A47G 19/2288  
206/519
- 3,360,957 A \* 1/1968 Paquin ..... A47G 19/2288  
62/457.3
- 3,473,682 A \* 10/1969 Studen ..... A47G 23/0216  
215/12.1
- 3,765,559 A \* 10/1973 Sauey ..... A47G 19/2288  
215/12.1
- 3,967,991 A \* 7/1976 Shimano ..... B29C 43/02  
156/85
- 4,040,535 A 8/1977 Shephard  
(Continued)

*Primary Examiner* — Marianne N Pandozzi

*Assistant Examiner* — Jae Liang

(74) *Attorney, Agent, or Firm* — Head, Johnson, Kachigian & Wilkinson, PC

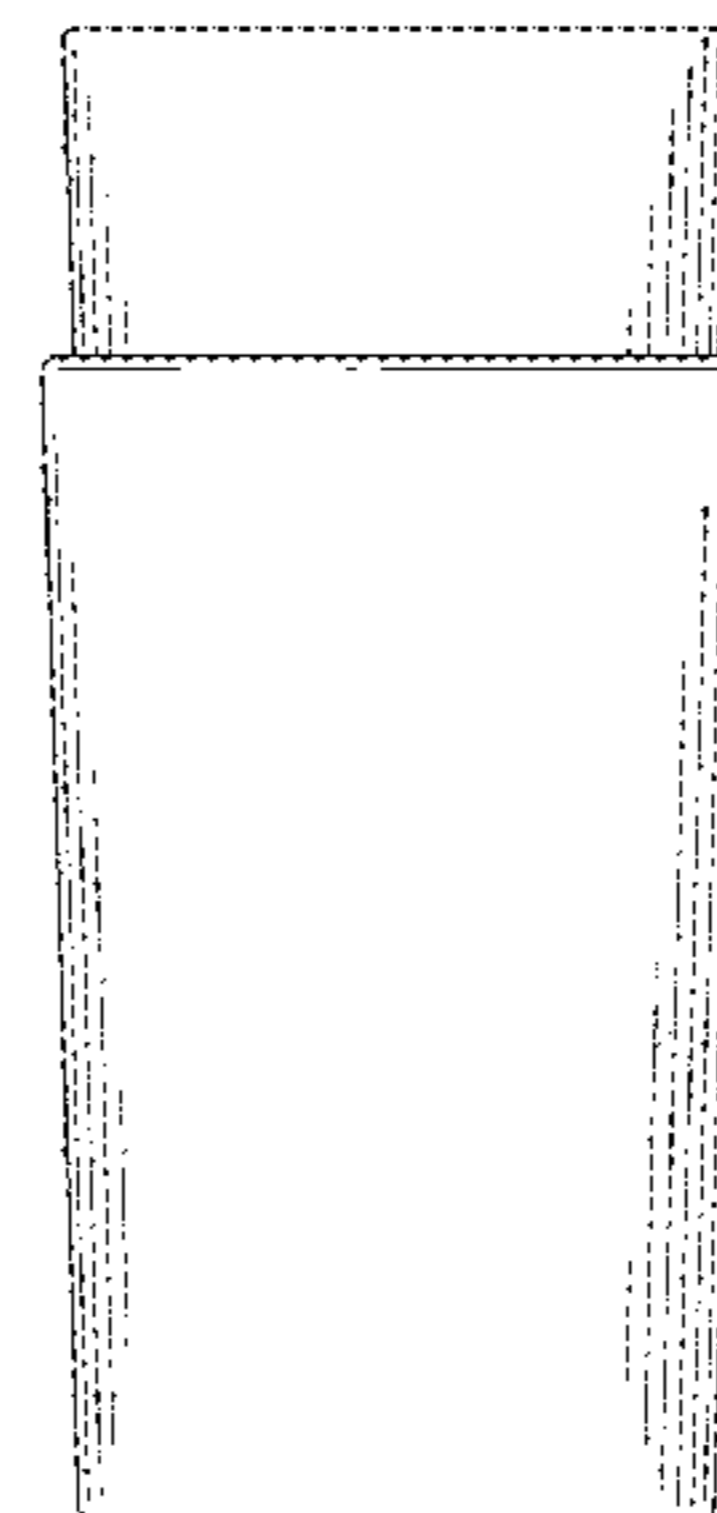
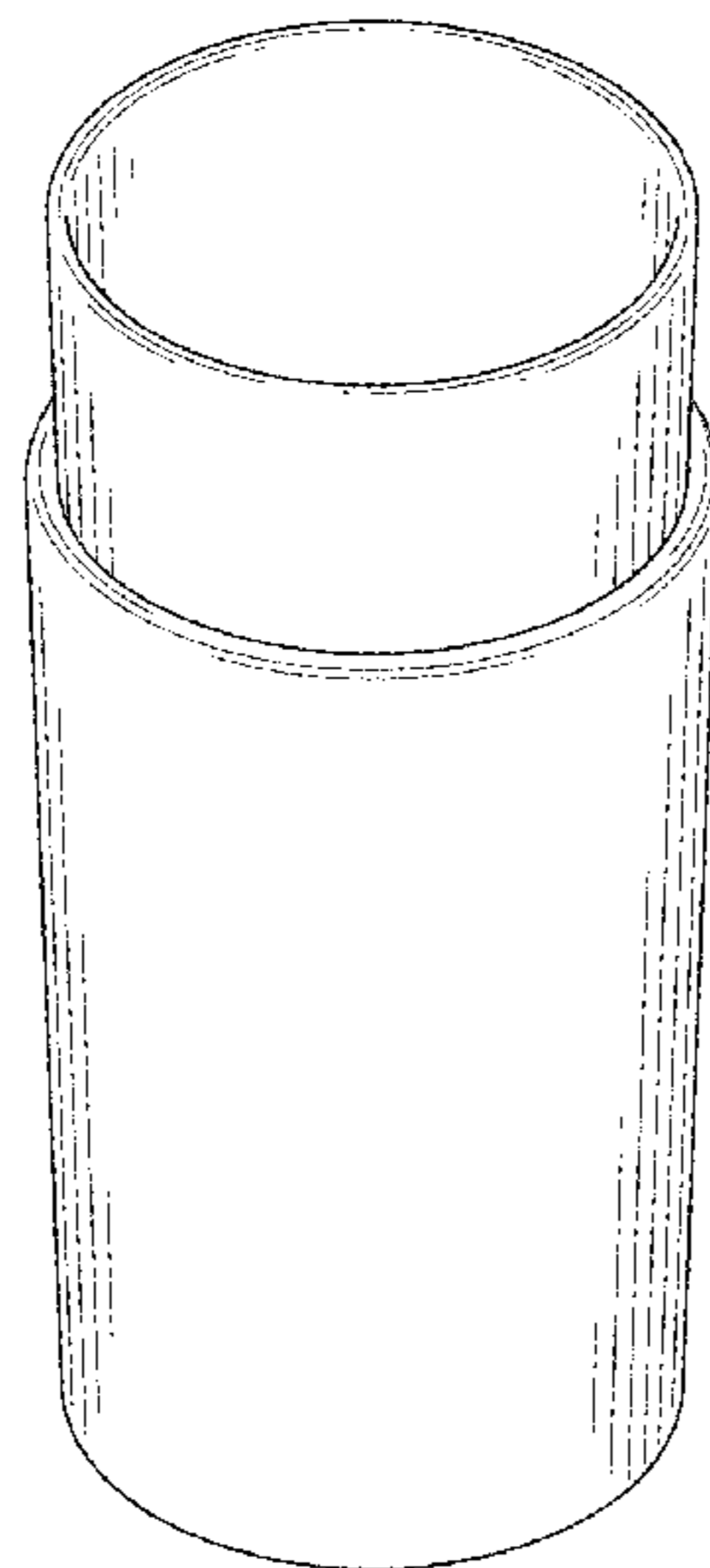
(57) **CLAIM**

The ornamental design for an insulated glass, as shown and described.

**DESCRIPTION**

FIG. 1 is a perspective view of an insulated glass showing my new design;  
FIG. 2 is a top view thereof;  
FIG. 3 is a bottom view thereof; and,  
FIG. 4 is a front view thereof, where the back, right side, and left side views are identical to the front view.

**1 Claim, 2 Drawing Sheets**



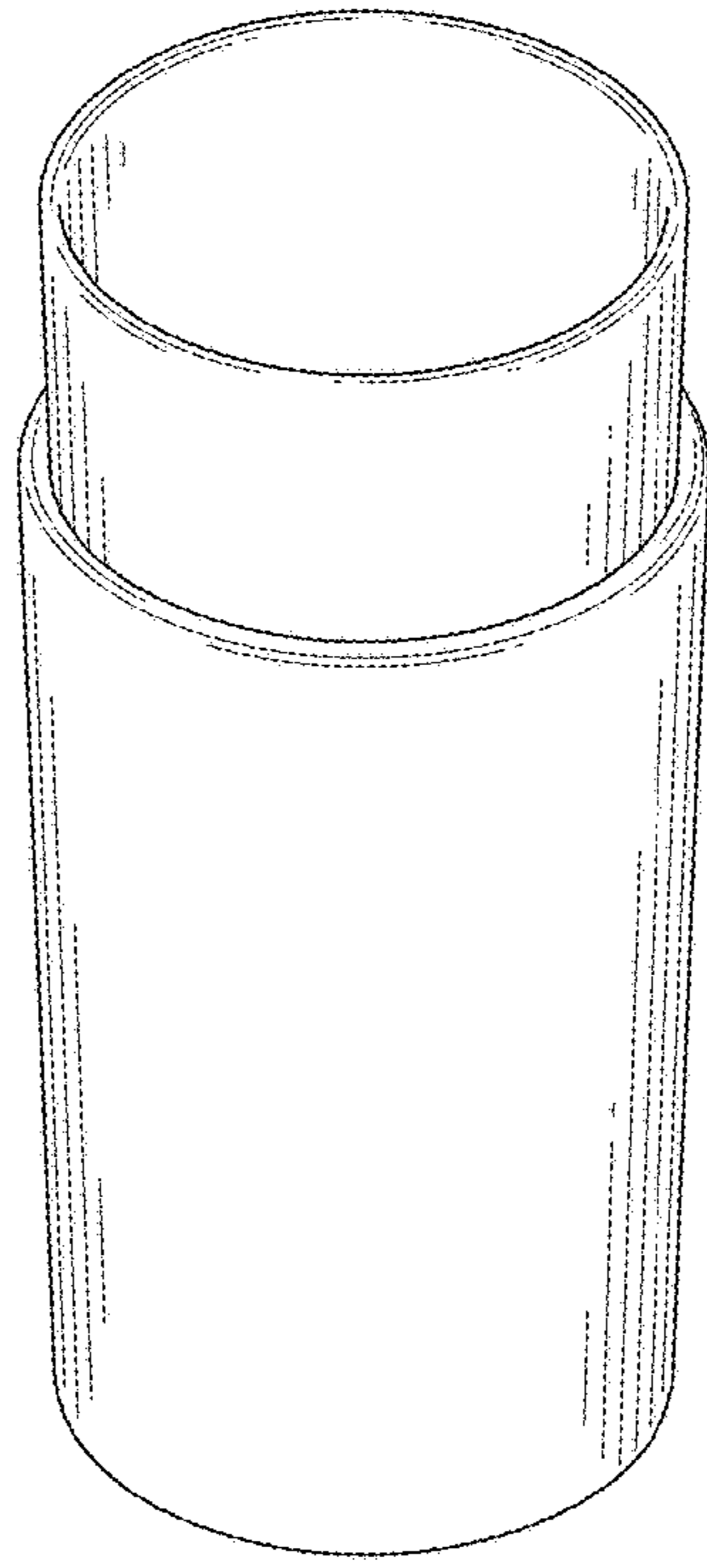
(56)

References Cited

U.S. PATENT DOCUMENTS

4,163,374 A *	8/1979	Moore	.....	B65D 81/3883	7,694,843 B2	4/2010	Hollis	
				220/592.01	D614,920 S *	5/2010	Dobbin	..... D7/624.2
D257,314 S *	10/1980	Robison	.....	D7/608	D620,757 S *	8/2010	Ahlm	..... D7/509
4,273,245 A *	6/1981	Hartinger Machalek	.....		D622,553 S *	8/2010	Bollenbacher	..... D7/608
				A47G 19/2288	D631,701 S *	2/2011	Flick	..... D7/509
				215/12.1	8,061,551 B2	11/2011	Matlovich	
4,841,743 A *	6/1989	Brier	.....	F25D 3/08	D663,169 S *	7/2012	Beggins	..... D7/608
				62/457.9	D703,492 S *	4/2014	Schmidt	..... D7/608
4,882,914 A *	11/1989	Haines-Keeley	.....		D717,114 S *	11/2014	Katterheinrich	..... D7/505
				B65D 81/3883	D722,249 S *	2/2015	Valderrama	..... D7/396.2
				62/457.4	D789,155 S *	6/2017	Triato	..... D7/624.2
4,957,254 A	9/1990	Hill et al.			D797,509 S *	9/2017	Gobrecht	..... D11/143
5,022,235 A *	6/1991	Grissom	.....	B65D 81/3886	D803,635 S *	11/2017	de Guzman	..... D7/624.2
				62/372	D805,856 S *	12/2017	Rivera	..... D7/624.2
D318,596 S *	7/1991	Watts	.....	D7/325	D817,718 S *	5/2018	Furieux	..... D7/532
5,361,604 A *	11/1994	Pier	.....	B65D 81/3883	2002/0148832 A1	10/2002	Breining et al.	
				62/371	2002/0172818 A1	11/2002	DeBaal	
D392,842 S *	3/1998	Parpaiola	.....	D7/509	2004/0084460 A1	5/2004	Scheetz, II et al.	
6,213,335 B1 *	4/2001	Wilson	.....	B65D 3/06	2008/0210694 A1	12/2008	Castonguay	
				206/517	2010/0308361 A1	12/2010	Beeson et al.	
6,442,961 B1	9/2002	Rosenberg et al.			2013/0119065 A1 *	5/2013	Buck	..... A47G 19/2205
D513,479 S *	1/2006	Behrens	.....	D11/144				220/523
D572,533 S *	7/2008	Mansfield	.....	D7/509	2013/0287901 A1 *	10/2013	Hong	..... A47G 19/16
D580,228 S *	11/2008	Hayden	.....	D7/509				426/83
D610,411 S *	2/2010	Holladay	.....	D7/396.2	2013/0334233 A1	12/2013	Vandenlangenberg	
					2016/0066719 A1 *	3/2016	Perez	..... B65D 81/3222
								426/79
					2016/0304246 A1 *	10/2016	Cramer	..... A47G 19/2205

\* cited by examiner



*FIG. 1*

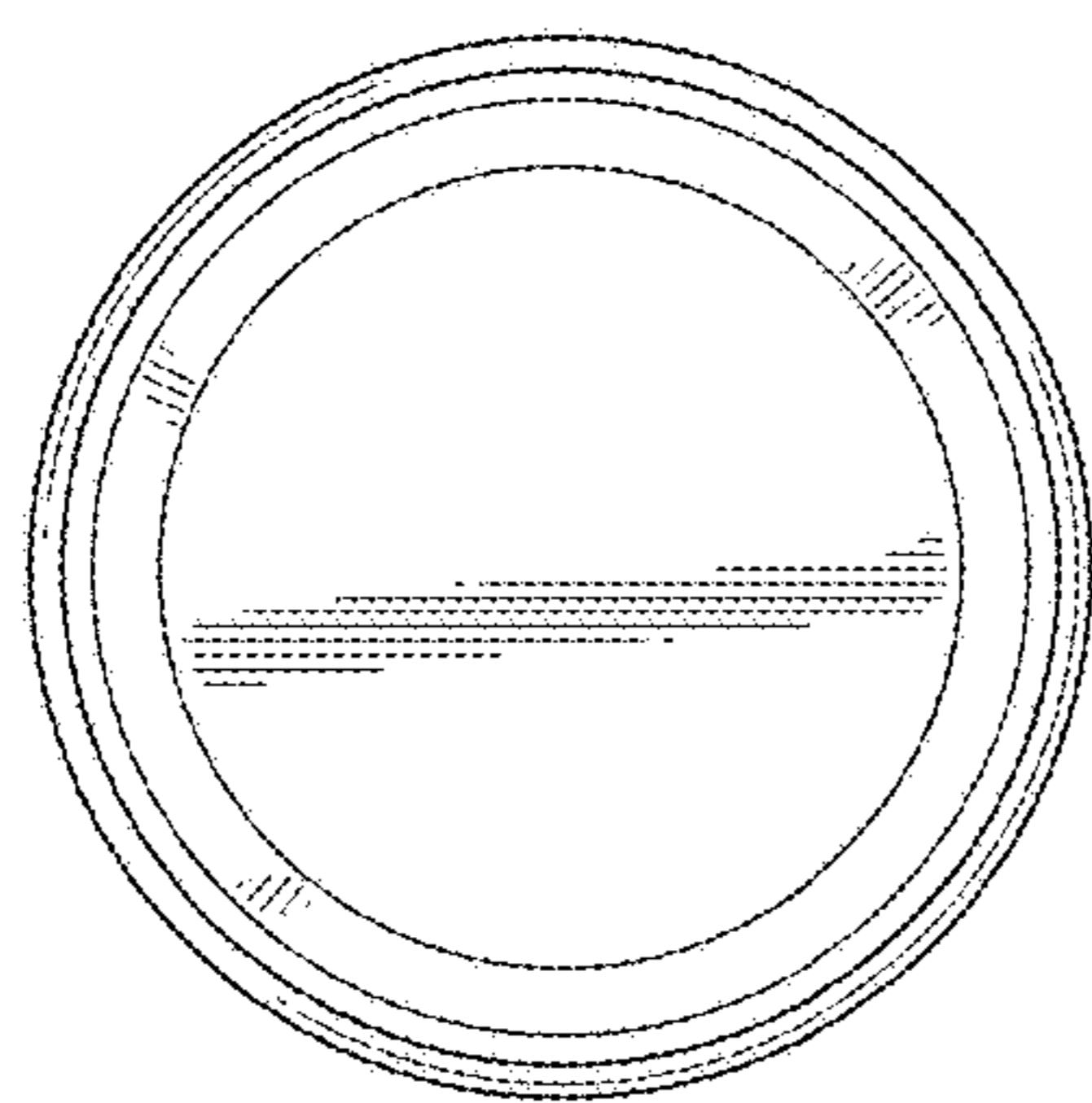


FIG. 2

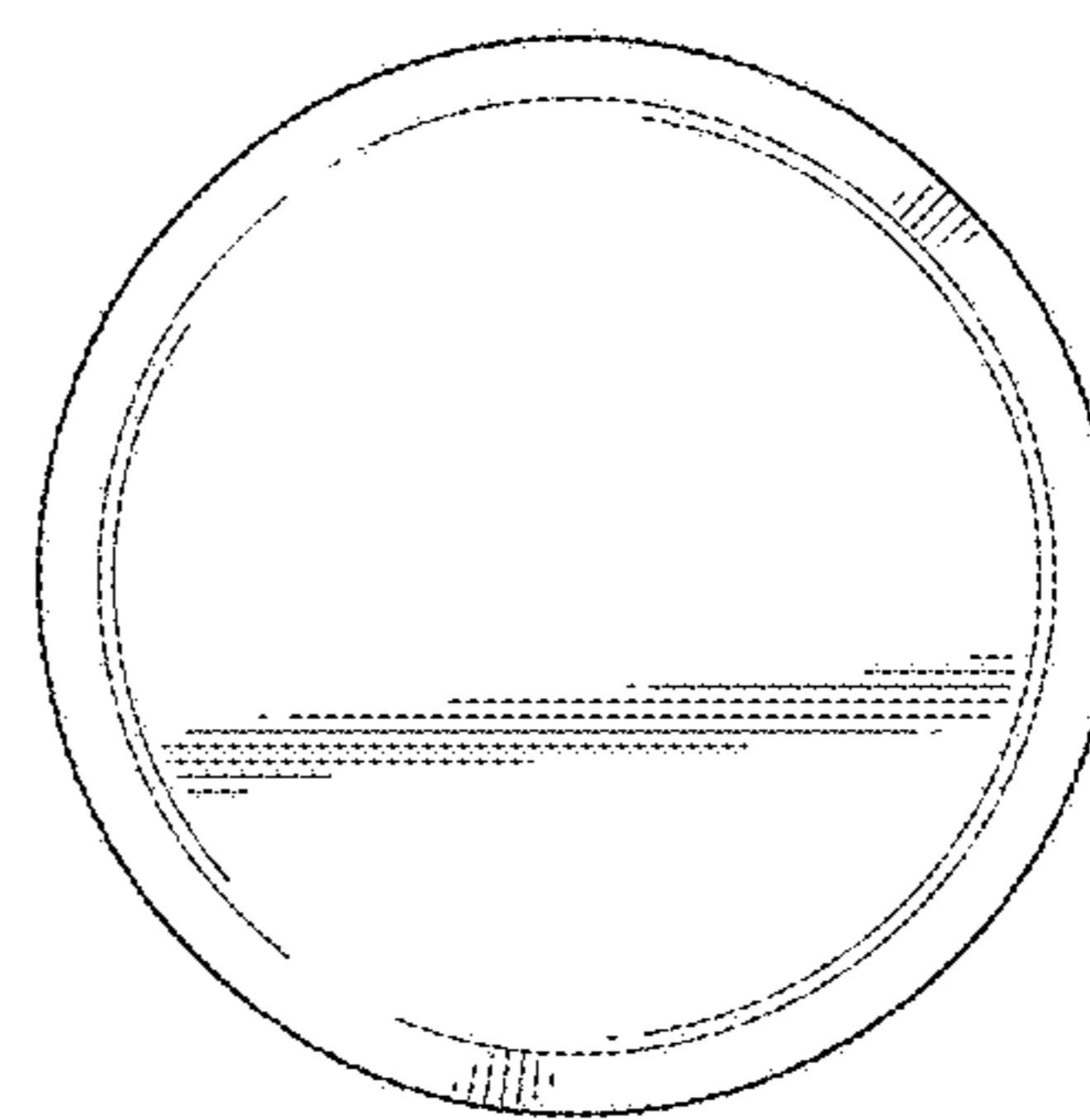


FIG. 3

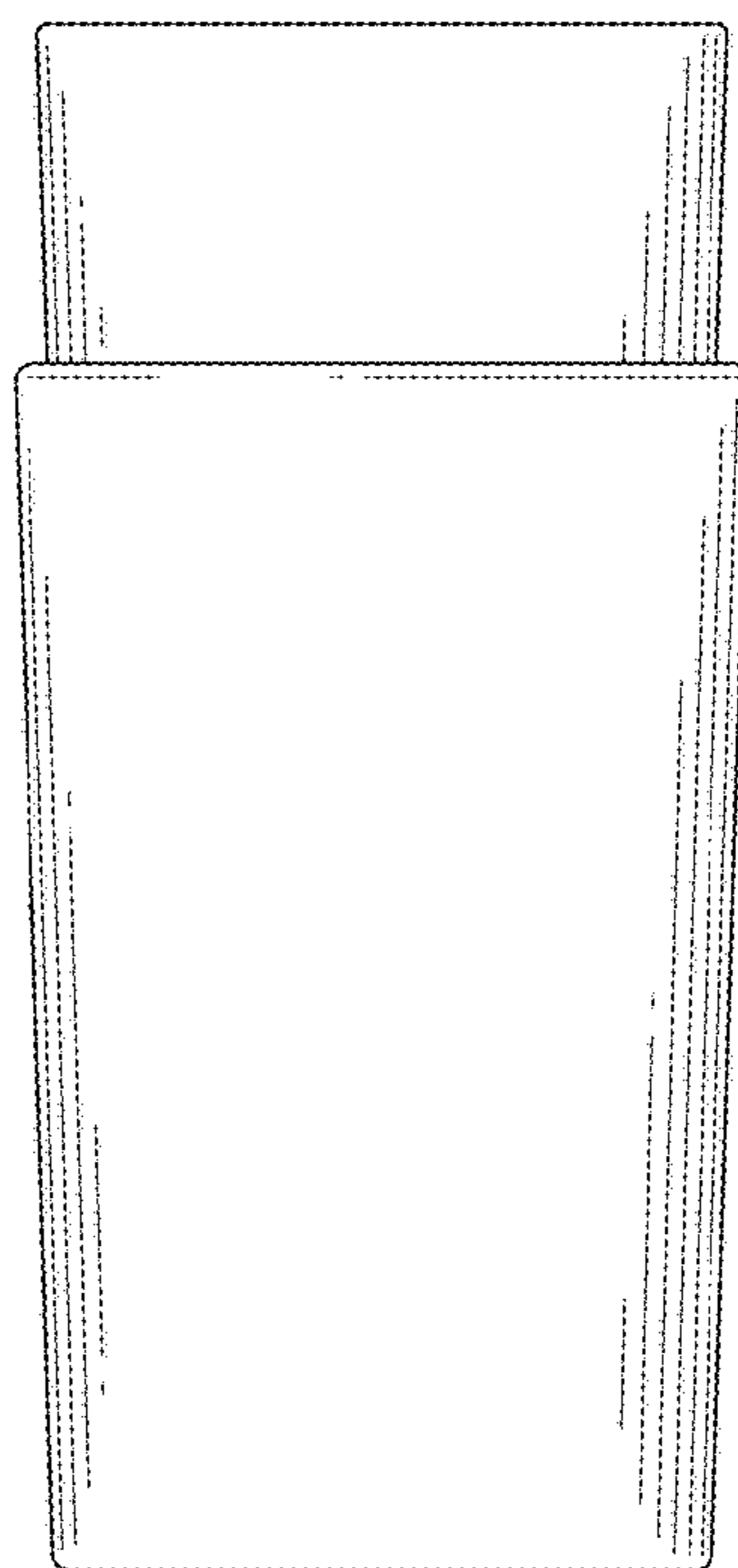


FIG. 4