

US00D859918S

(12) **United States Design Patent**  
**Saubert et al.**

(10) **Patent No.:** **US D859,918 S**

(45) **Date of Patent:** **\*\* Sep. 17, 2019**

(54) **MIXER BOWL**

(71) Applicant: **Sears Brands, L.L.C.**, Hoffman Estates, IL (US)

(72) Inventors: **Michael Saubert**, Hoffman Estates, IL (US); **Michael Seskauskas**, Lemont, IL (US); **Elizabeth Reuter**, Greenfield, IN (US)

(73) Assignee: **Sears Brands, L.L.C.**, Hoffman Estates, IL (US)

(\*\*) Term: **15 Years**

(21) Appl. No.: **29/648,604**

(22) Filed: **May 22, 2018**

(51) **LOC (12) Cl.** ..... **31-00**

(52) **U.S. Cl.**  
USPC ..... **D7/412; D7/379; D7/413**

(58) **Field of Classification Search**  
USPC ..... D7/372, 376-386, 412-413, 586, 602, D7/629, 665-666, 669, 679, 693-694  
CPC .... A21C 1/02; A21C 1/04; A23N 1/00; A23N 1/02; A47J 43/04; A47J 43/25; A47J 43/27; A47J 43/042; A47J 43/044; A47J 43/046; A47J 43/07; A47J 43/075; A47J 43/0716; A47J 43/0722; A47J 43/0727; A47J 45/077; B01F 3/00; B01F 3/0807; B01F 3/0853; B01F 13/0059; B01F 13/0064; B02C 1/08; B02C 2/04; B02C 4/42; B02C 4/142; B02C 4/143; B02C 4/423; B02C 13/1835; B28C 5/10; B28C 5/12; B28C 5/14; B28C 5/16  
See application file for complete search history.

(56) **References Cited**

**U.S. PATENT DOCUMENTS**

2,677,947 A \* 5/1954 Guilder ..... A47J 45/077  
16/443  
D447,003 S \* 8/2001 Feil ..... D7/412

D450,530 S \* 11/2001 Mauch ..... D7/384  
D499,604 S \* 12/2004 Hooper ..... D7/376  
7,175,338 B2 \* 2/2007 Hooper ..... A47J 43/044  
366/197  
D616,699 S \* 6/2010 Hoare ..... D7/376  
D654,304 S \* 2/2012 Bodum ..... D7/376  
D668,915 S \* 10/2012 Drees ..... D7/543  
D702,487 S \* 4/2014 Gillette ..... D7/376  
D748,428 S \* 2/2016 Yuan ..... D7/376  
D753,434 S \* 4/2016 Bazzicalupo ..... D7/376  
D758,125 S \* 6/2016 Jeong ..... A47J 43/044  
D772,643 S \* 11/2016 Bazzicalupo ..... A47J 45/077  
D7/376

\* cited by examiner

*Primary Examiner* — Ricky Pham

(74) *Attorney, Agent, or Firm* — McAndrews, Held & Malloy, Ltd.

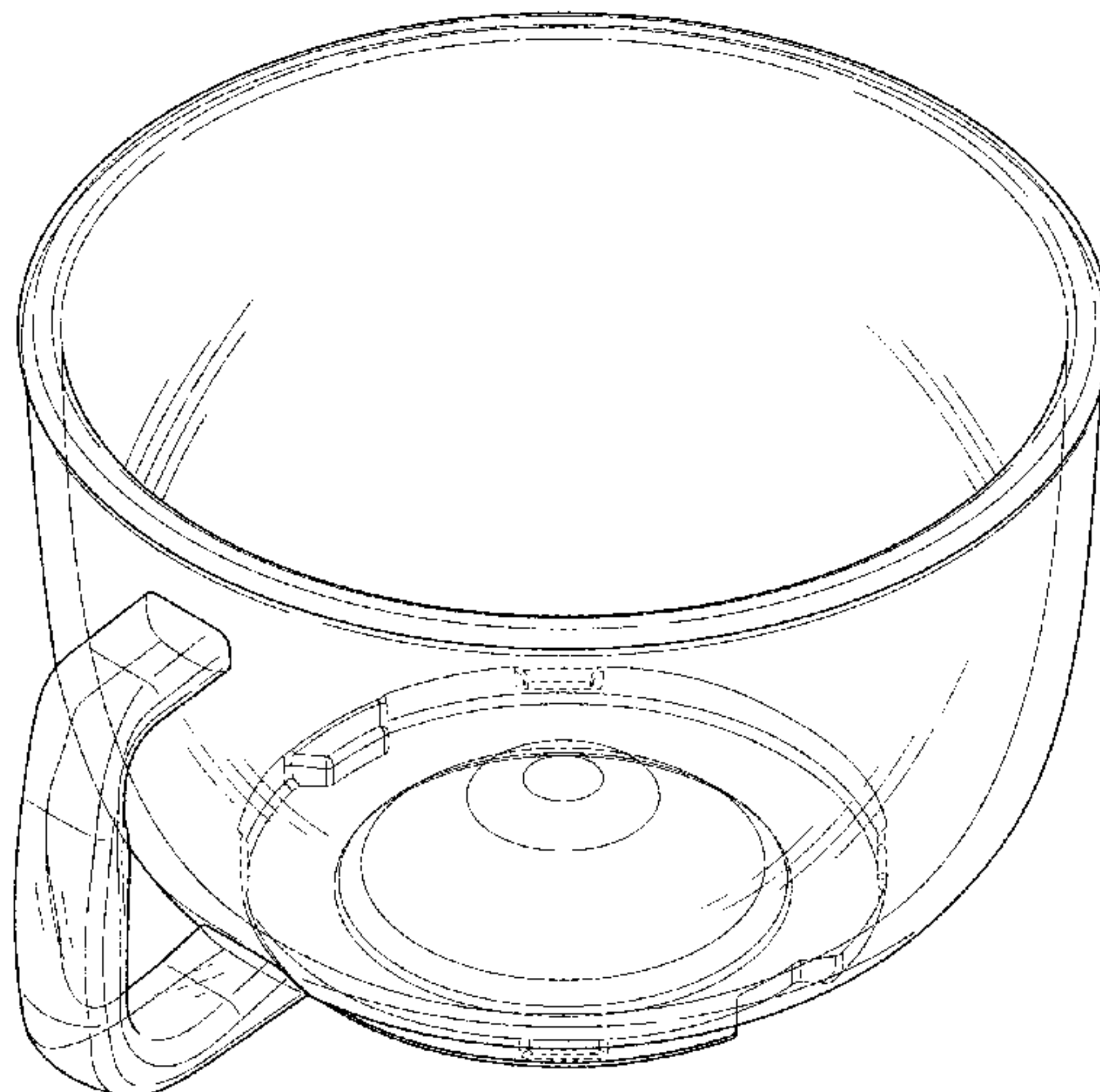
(57) **CLAIM**

The ornamental design for a mixer bowl, as shown and described.

**DESCRIPTION**

FIG. 1 is a top-front perspective view of a mixer bowl showing our new design;  
FIG. 2 is a front elevation view thereof;  
FIG. 3 is a rear elevation view thereof;  
FIG. 4 is a right side elevation view thereof;  
FIG. 5 is a left side elevation thereof;  
FIG. 6 is a top plan view thereof;  
FIG. 7 is a bottom plan view thereof; and,  
FIG. 8 is a bottom-rear perspective view thereof.  
The dashed broken lines in the figures illustrate portions of the mixer bowl that form no part of the claimed design.

**1 Claim, 8 Drawing Sheets**



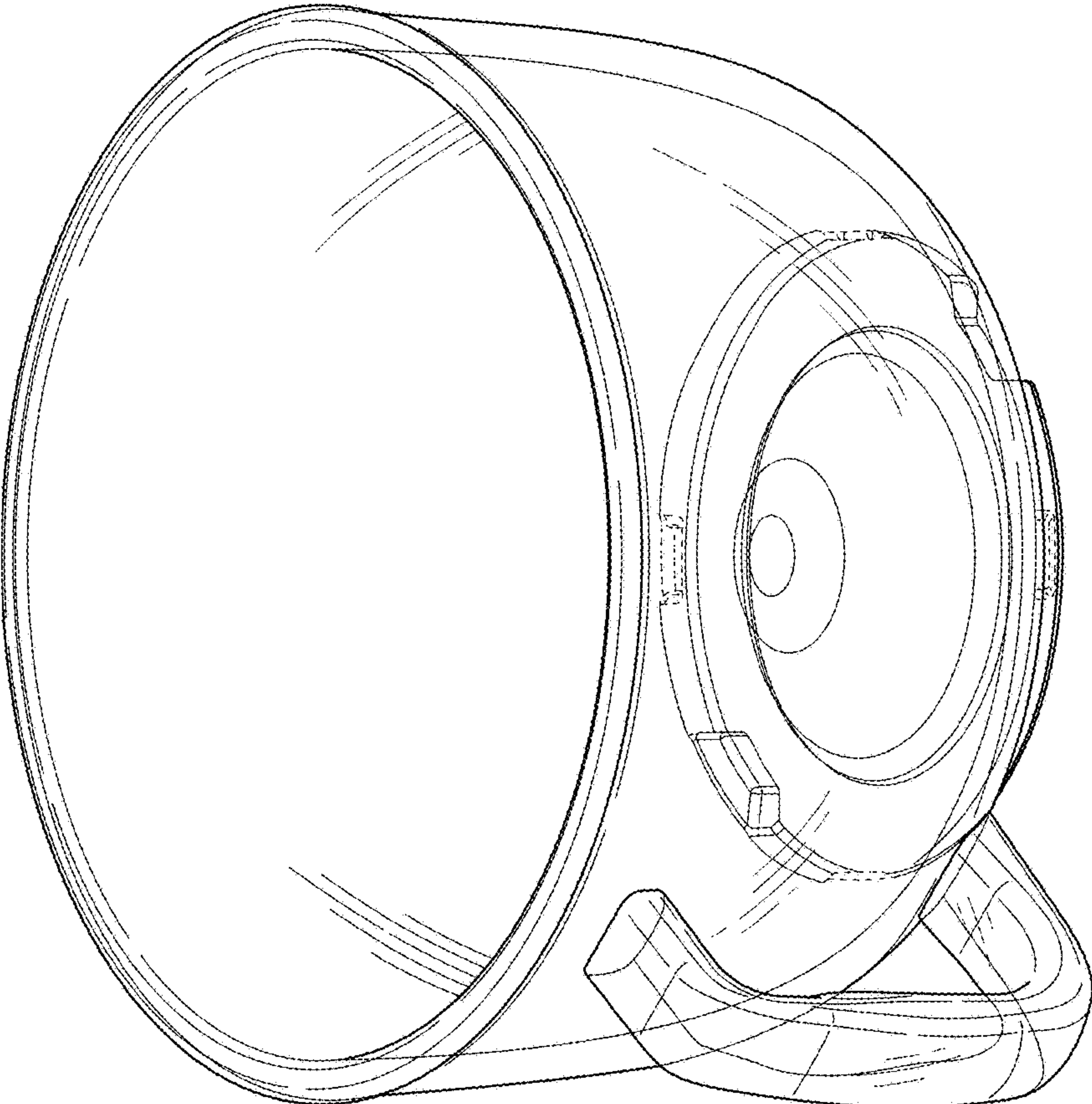


FIG. 1

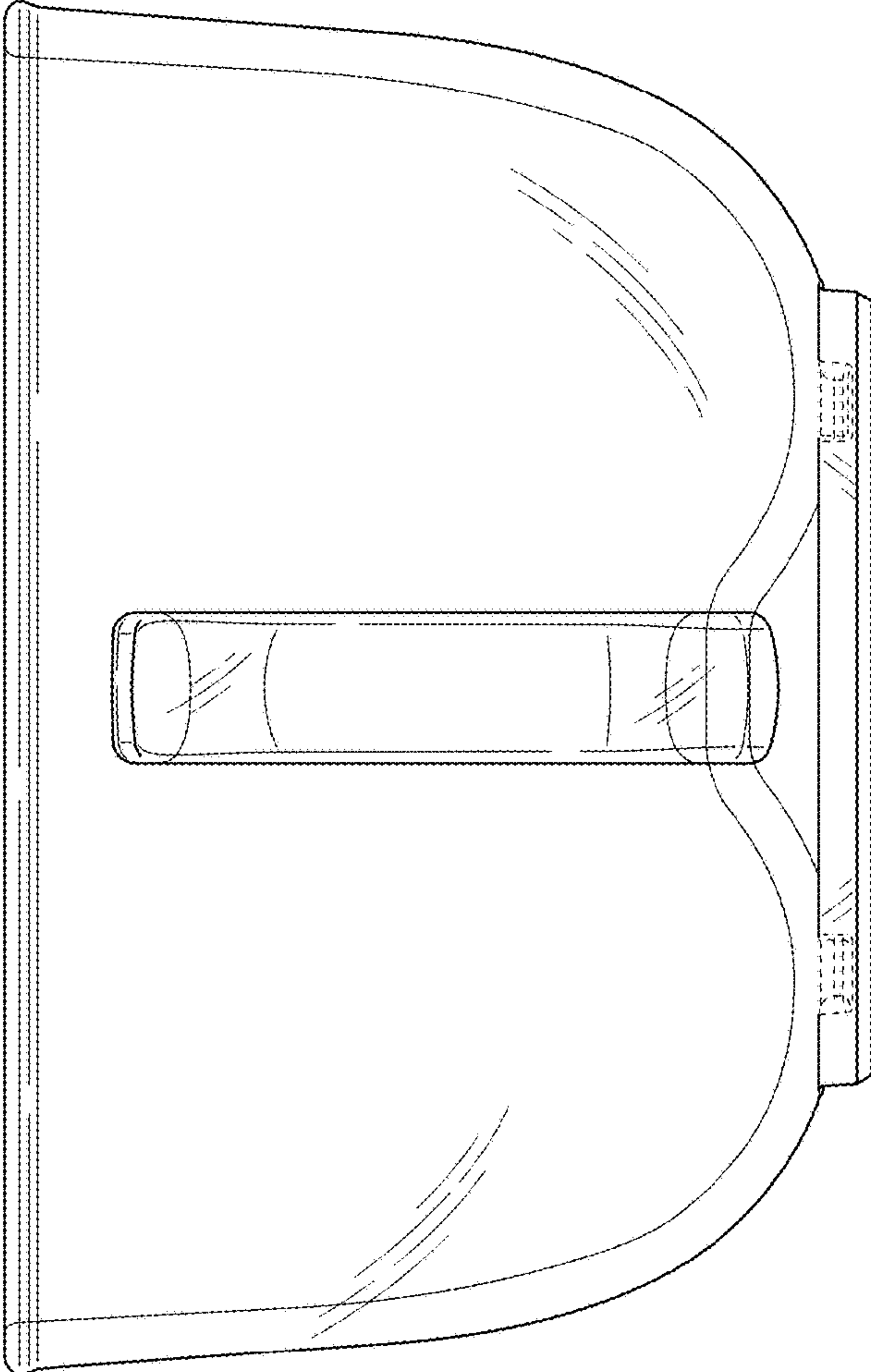


FIG. 2

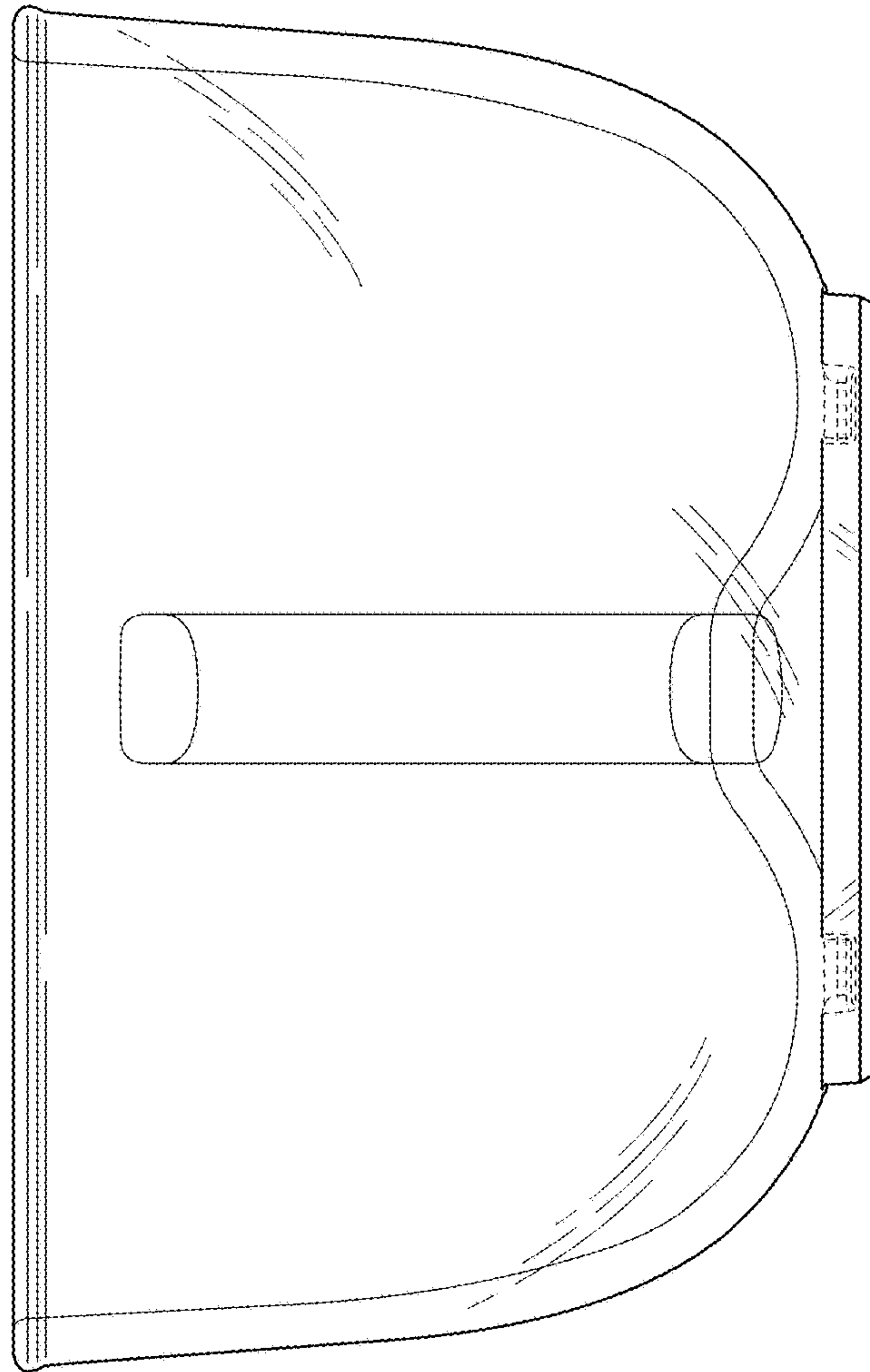


FIG. 3

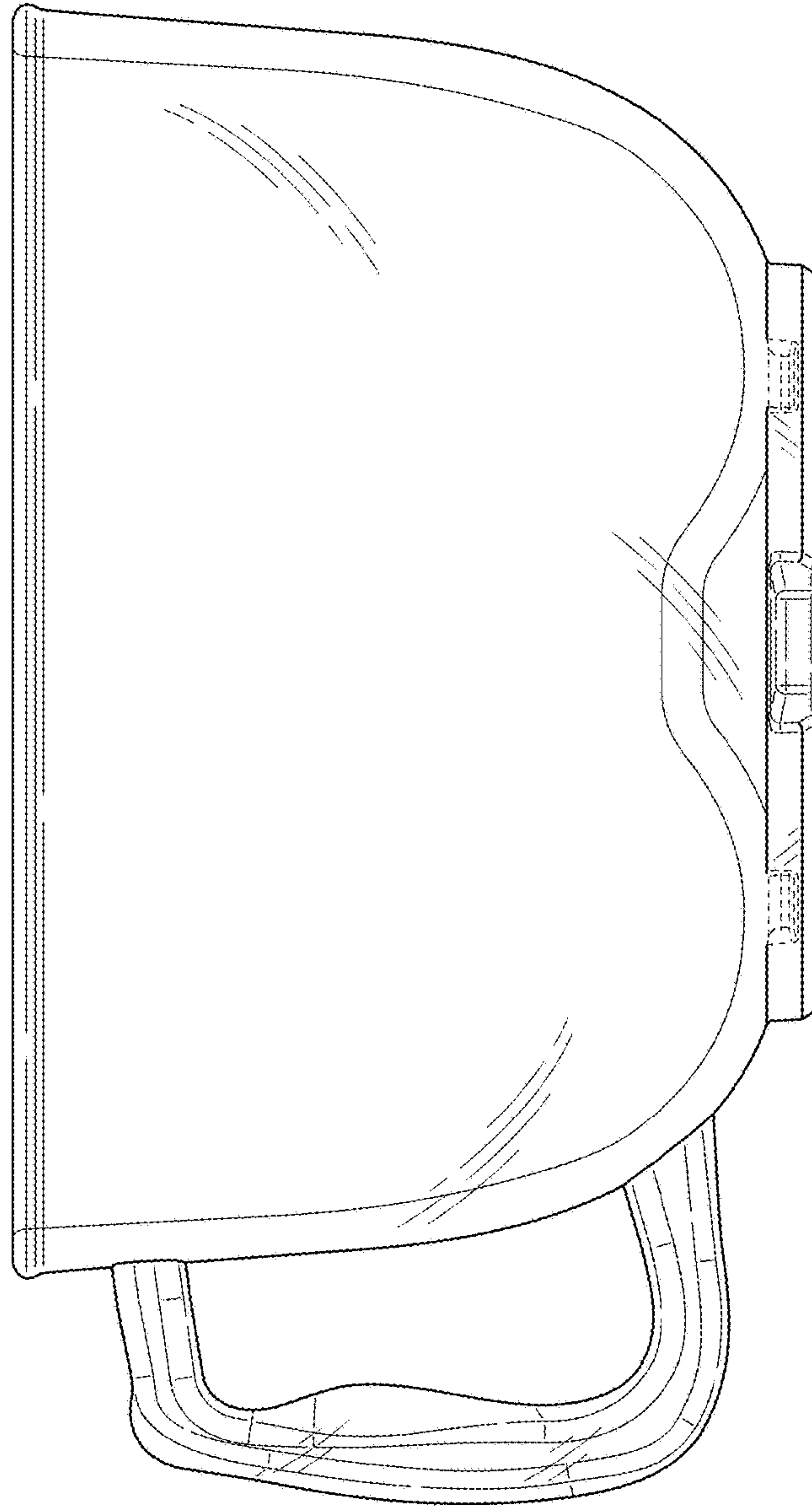


FIG. 4



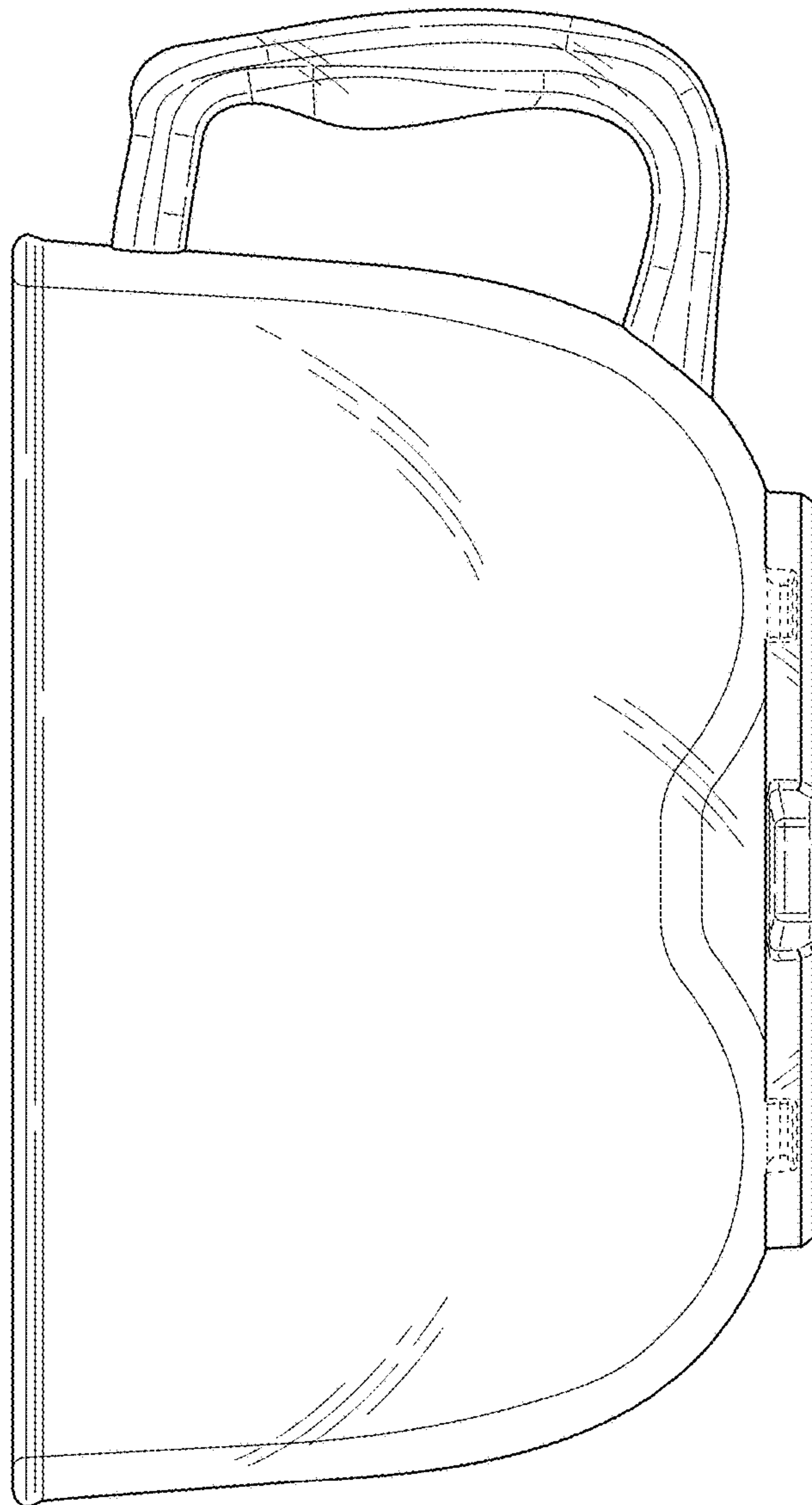


FIG. 5

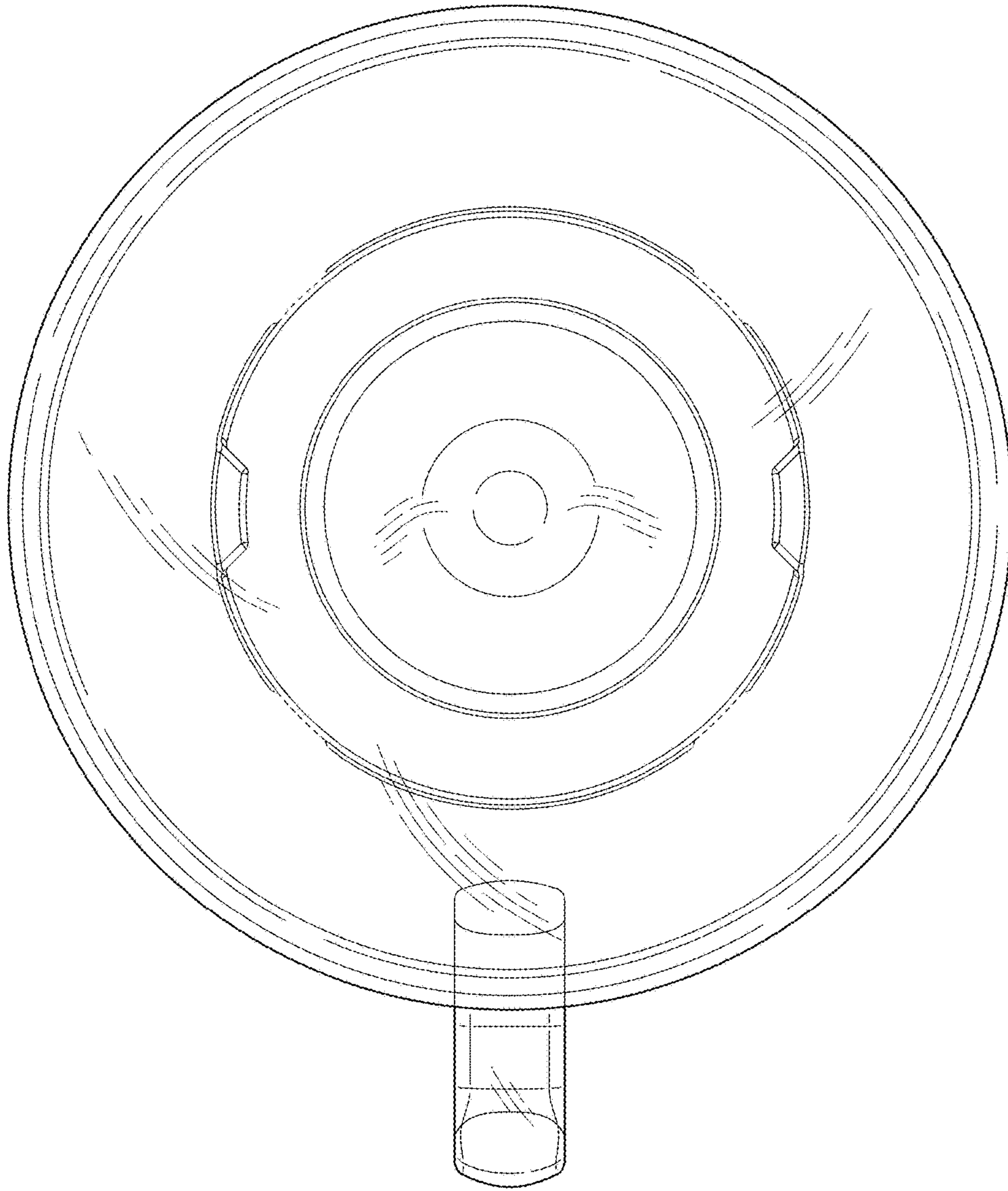


FIG. 6



FIG. 7



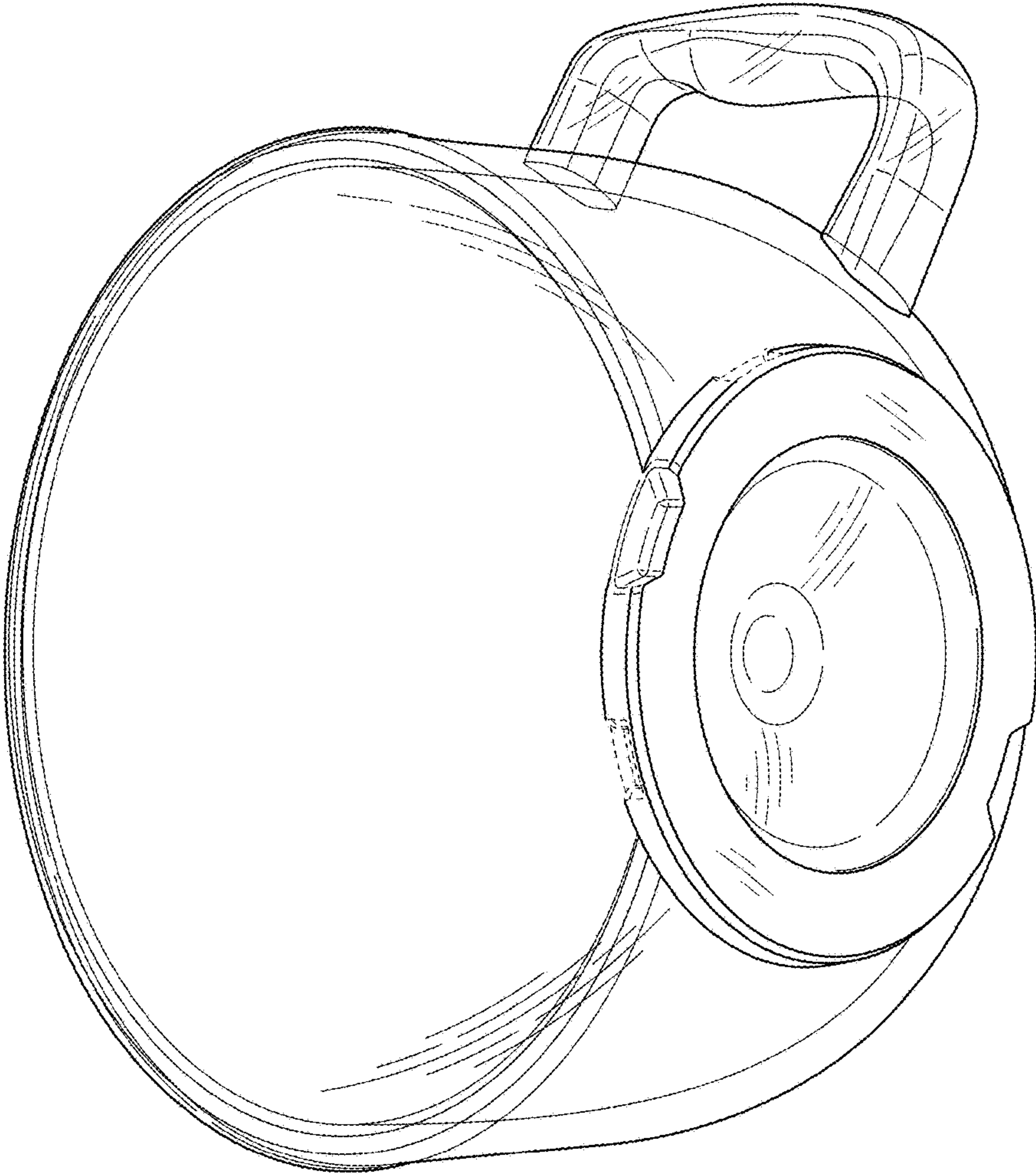


FIG. 8