



US00D859917S

(12) **United States Design Patent**  
**Dasen, Jr.**

(10) **Patent No.:** **US D859,917 S**  
(45) **Date of Patent:** **\*\* Sep. 17, 2019**

- (54) **COOKING DEVICE**
- (71) Applicant: **Richard Arnold Dasen, Jr.**, Kalispell, MT (US)
- (72) Inventor: **Richard Arnold Dasen, Jr.**, Kalispell, MT (US)
- (\*\*) Term: **15 Years**
- (21) Appl. No.: **29/618,767**
- (22) Filed: **Sep. 23, 2017**
- (51) **LOC (12) Cl.** ..... **07-02**
- (52) **U.S. Cl.**  
USPC ..... **D7/409**
- (58) **Field of Classification Search**  
USPC ..... D7/323, 332, 335-337, 354-355, 357, D7/359-364, 387-388, 402, 407-409, 693  
CPC .... A21B 2/00; A21B 3/00; A21B 3/13; A21B 3/15; A21B 5/00; A21B 5/02; A23G 3/50; A23N 12/06; A23N 12/08; A23N 12/10; A47J 36/027; A47J 37/00; A47J 37/04; A47J 37/041; A47J 37/042; A47J 37/06; A47J 37/0688; A47J 37/0694; A47J 37/07; A47J 37/0704; A47J 37/10; A47J 43/18; A47J 47/20; A47J 2037/00; A47J 2037/06; A47J 2037/0611; A47J 2037/07; A47J 2037/0786; A47J 2037/0795; F24C 15/10; F24C 15/12; F24C 15/14; F24C 15/16; F24C 15/164; F24C 15/18; H05B 6/6494  
See application file for complete search history.

- 3,713,379 A \* 1/1973 Gordy ..... A47J 37/0688 99/349
- D228,334 S \* 9/1973 Kotila ..... D7/357
- 3,987,719 A 10/1976 Kian
- 4,140,889 A \* 2/1979 Mason, Jr. .... H05B 6/6494 219/731
- 4,387,111 A \* 6/1983 Mullender ..... A23G 3/50 426/512
- 4,704,510 A 11/1987 Matsui
- 5,201,264 A 4/1993 Thelen et al.
- 5,323,692 A 6/1994 Grzywna et al.
- D370,825 S \* 6/1996 Parduhn ..... D7/359
- 5,935,478 A \* 8/1999 Parduhn ..... A47J 36/027 219/733
- 6,054,697 A 4/2000 Woodward et al.
- 6,170,160 B1 1/2001 Freige
- 6,175,105 B1 1/2001 Rubbright et al.
- D462,585 S 9/2002 Parra
- 6,672,473 B2 1/2004 Torniainen

(Continued)

*Primary Examiner* — Ricky Pham  
(74) *Attorney, Agent, or Firm* — Sarah J. Rhoades

(57) **CLAIM**

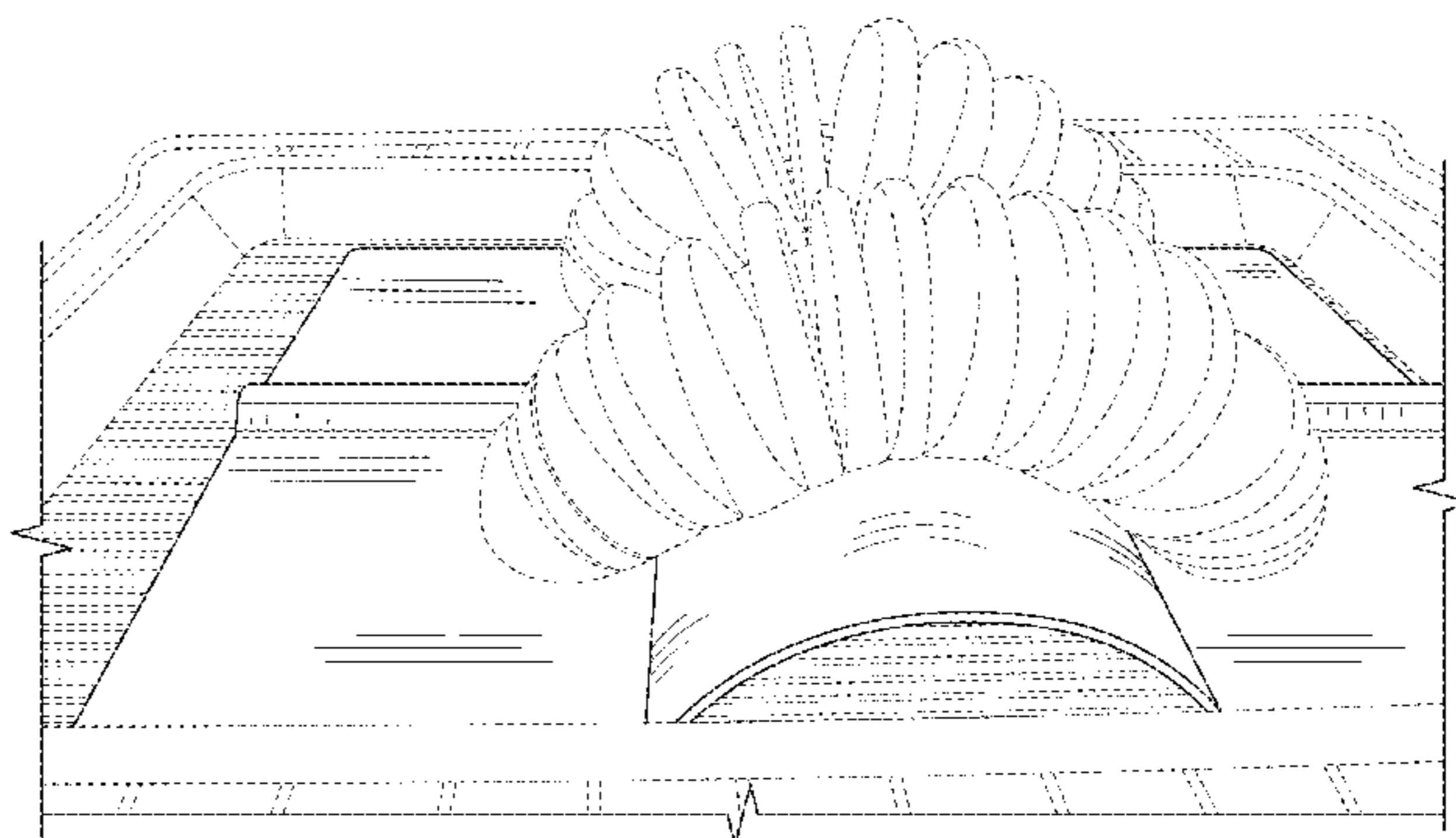
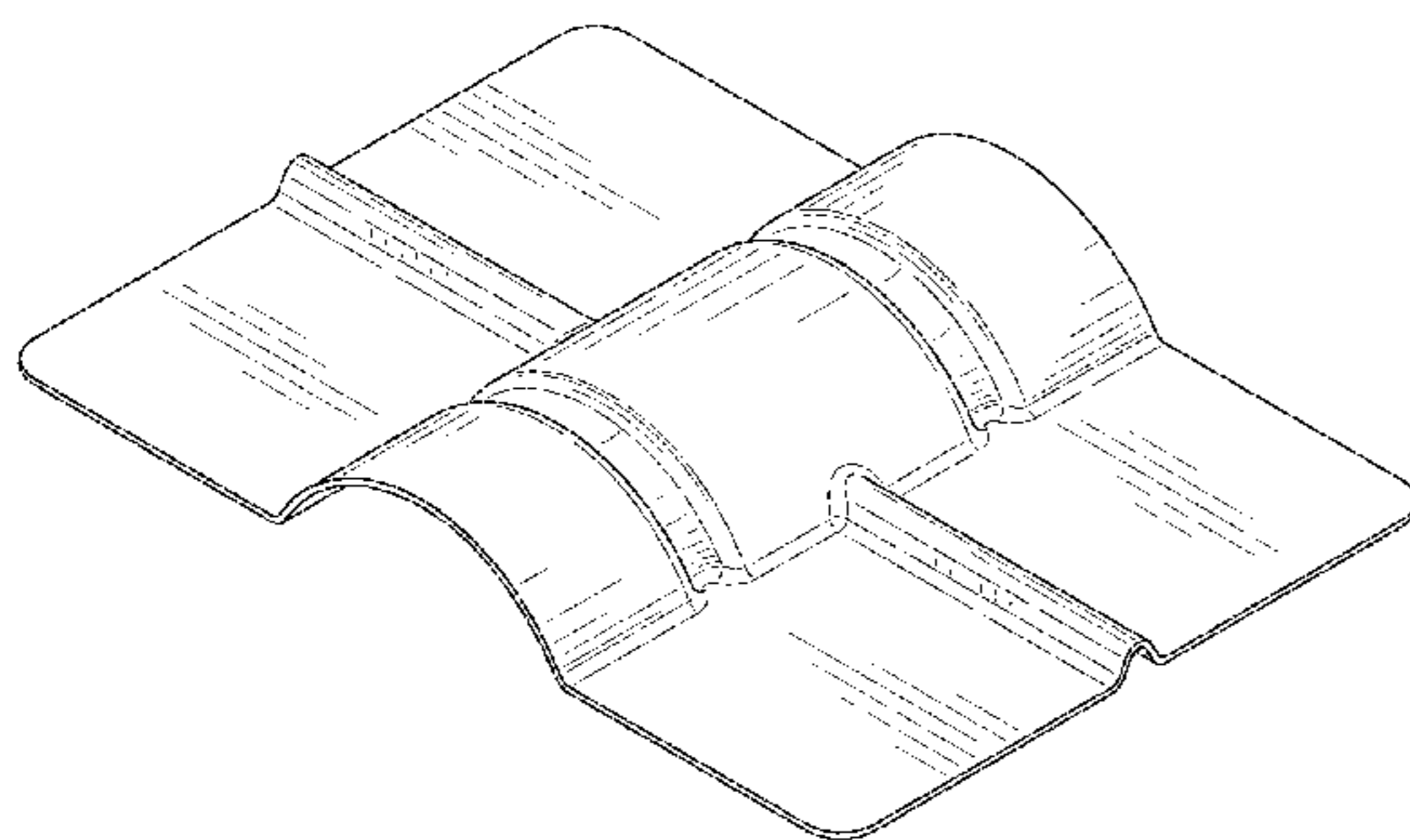
The ornamental design for a cooking device, as shown and described.

**DESCRIPTION**

FIG. 1 is a perspective view of a first embodiment of the new design for a cooking device;  
 FIG. 2 is a front view or rear view of FIG. 1; the front view and rear view being mirror images;  
 FIG. 3 is a side view of FIG. 1, the left side view and right side view being mirror images;  
 FIG. 4 is a top view of FIG. 1;  
 FIG. 5 is bottom view of FIG. 1; and,  
 FIG. 6 is a perspective front view of the design in claim 1 shown during use.  
 The broken line showing of a potato, a pan, and oven rack in FIG. 6 is for the purpose of showing environmental context and forms no part of the claimed design.

**1 Claim, 5 Drawing Sheets**

- (56) **References Cited**  
U.S. PATENT DOCUMENTS  
644,401 A 2/1900 Browne  
1,718,668 A 3/1928 Smythe  
D110,806 S \* 8/1938 Fishel ..... D7/359  
2,939,383 A 6/1960 Kanaga



(56)

**References Cited**

U.S. PATENT DOCUMENTS

8,245,633	B2	8/2012	Klinger et al.	
D707,076	S *	6/2014	Borovicka .....	D7/354
D728,325	S *	5/2015	Zemel .....	D7/693
10,092,140	B2 *	10/2018	Dasen, Jr. ....	A47J 43/18
2009/0260525	A1	10/2009	Jordan et al.	
2010/0065571	A1	3/2010	Olson	
2016/0120371	A1	5/2016	Dasen	
2016/0207212	A1	7/2016	Rogers et al.	

\* cited by examiner

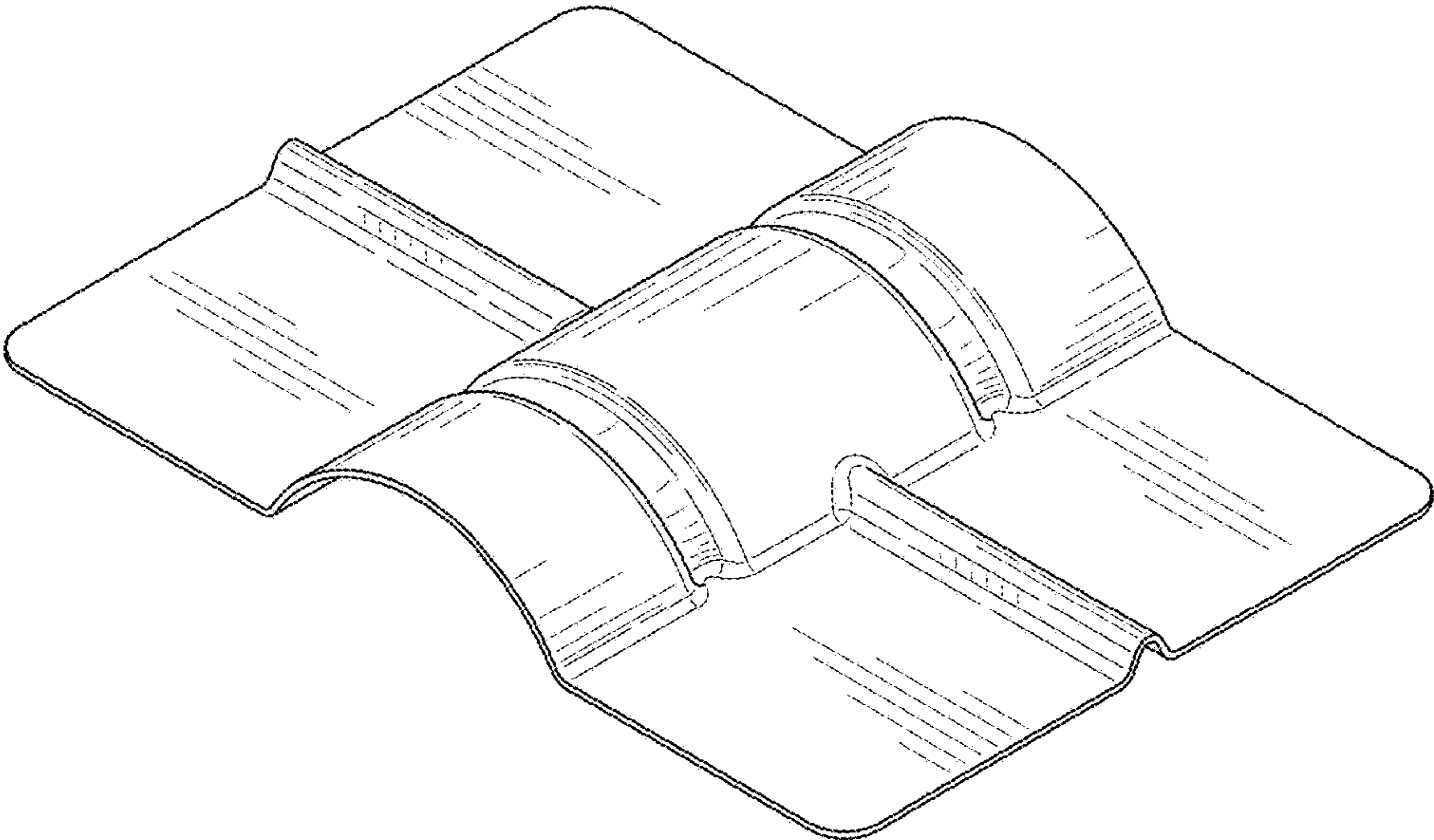


FIG . 1



FIG . 2

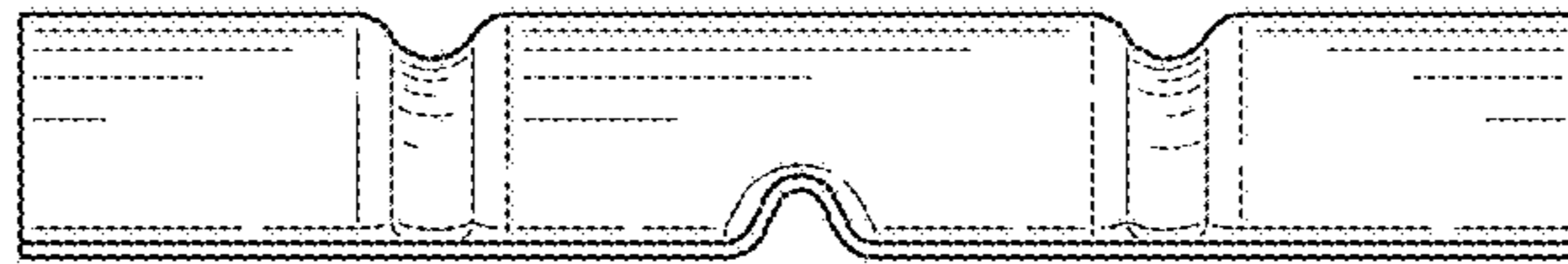


FIG . 3

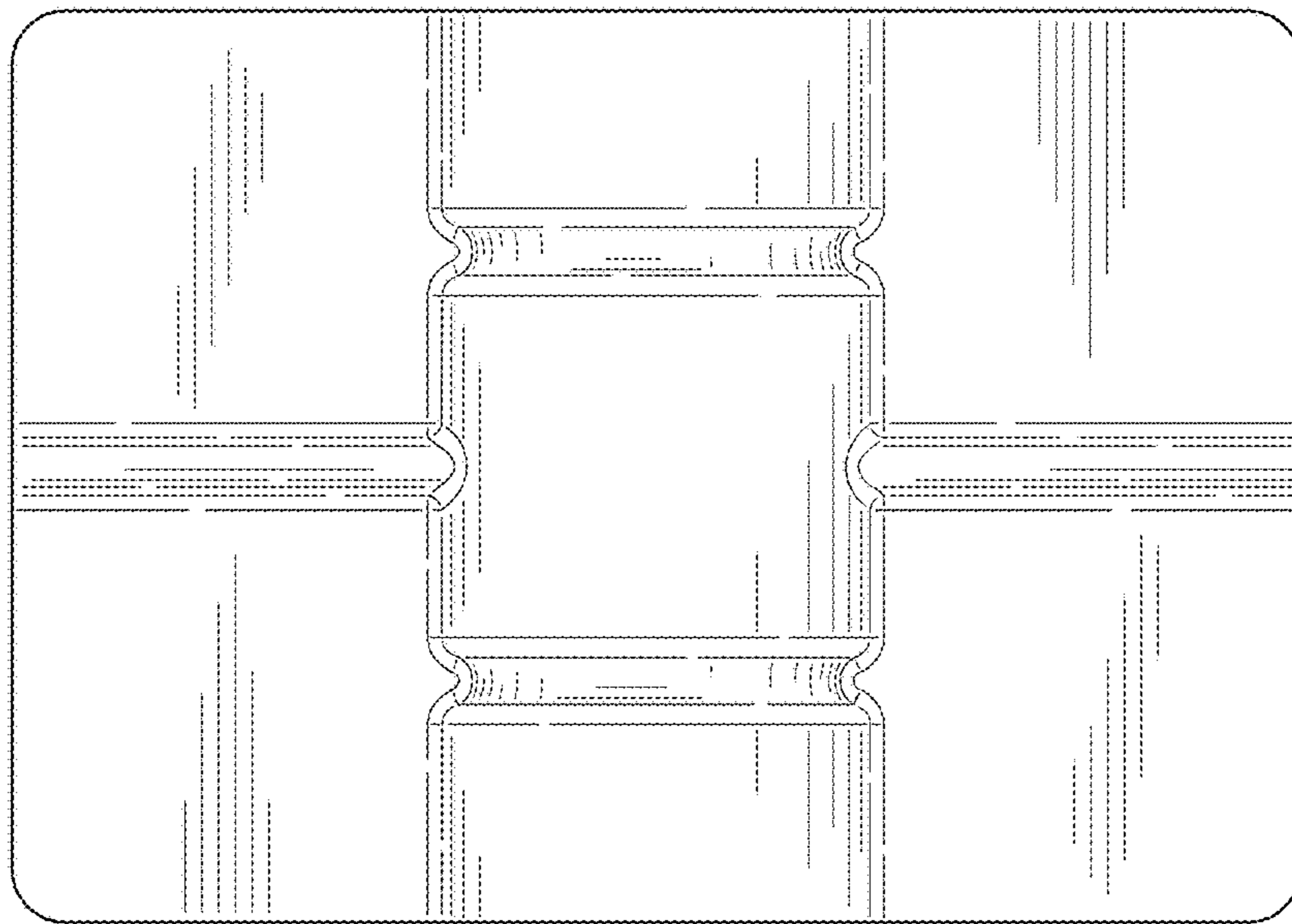


FIG . 4

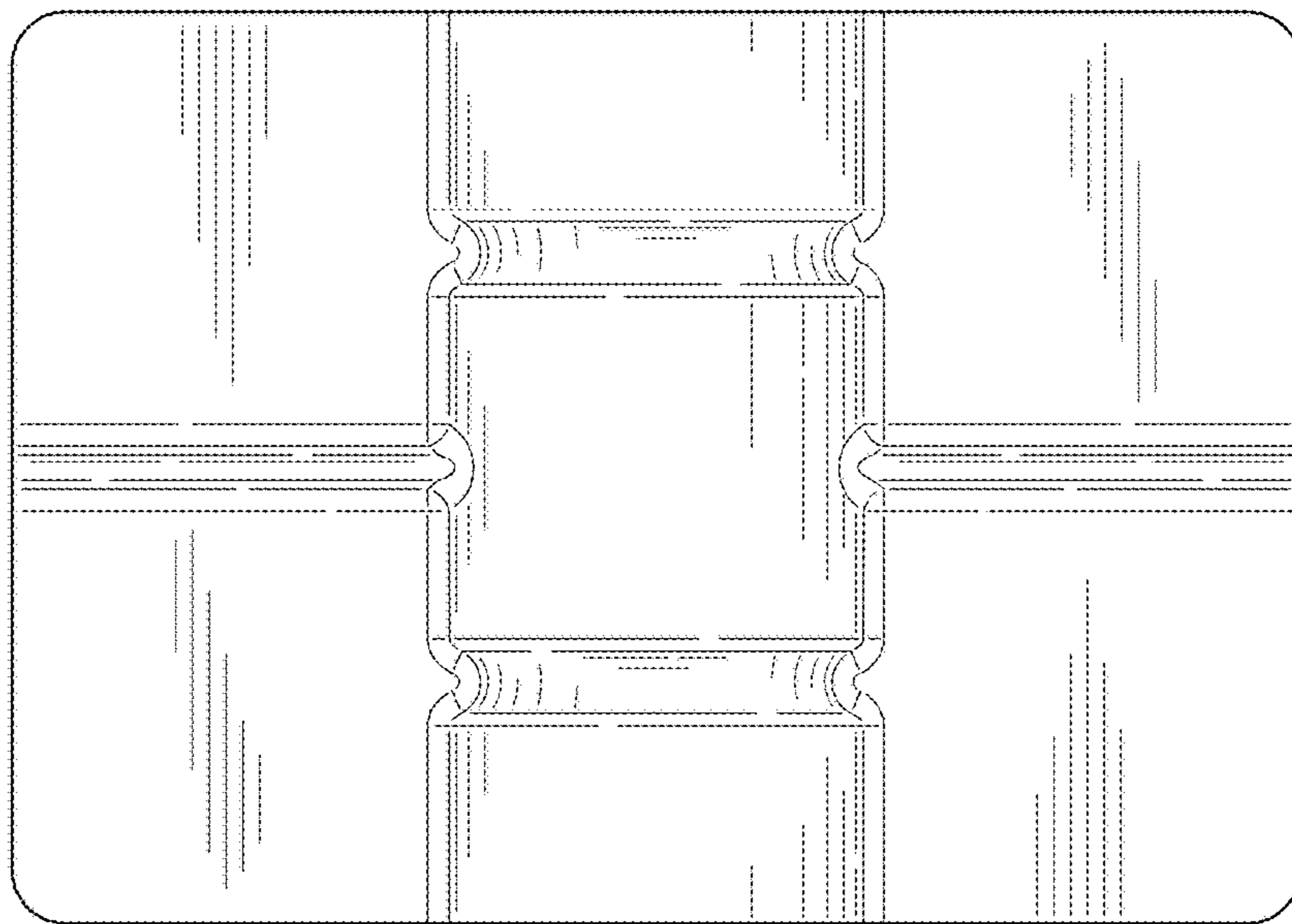


FIG . 5

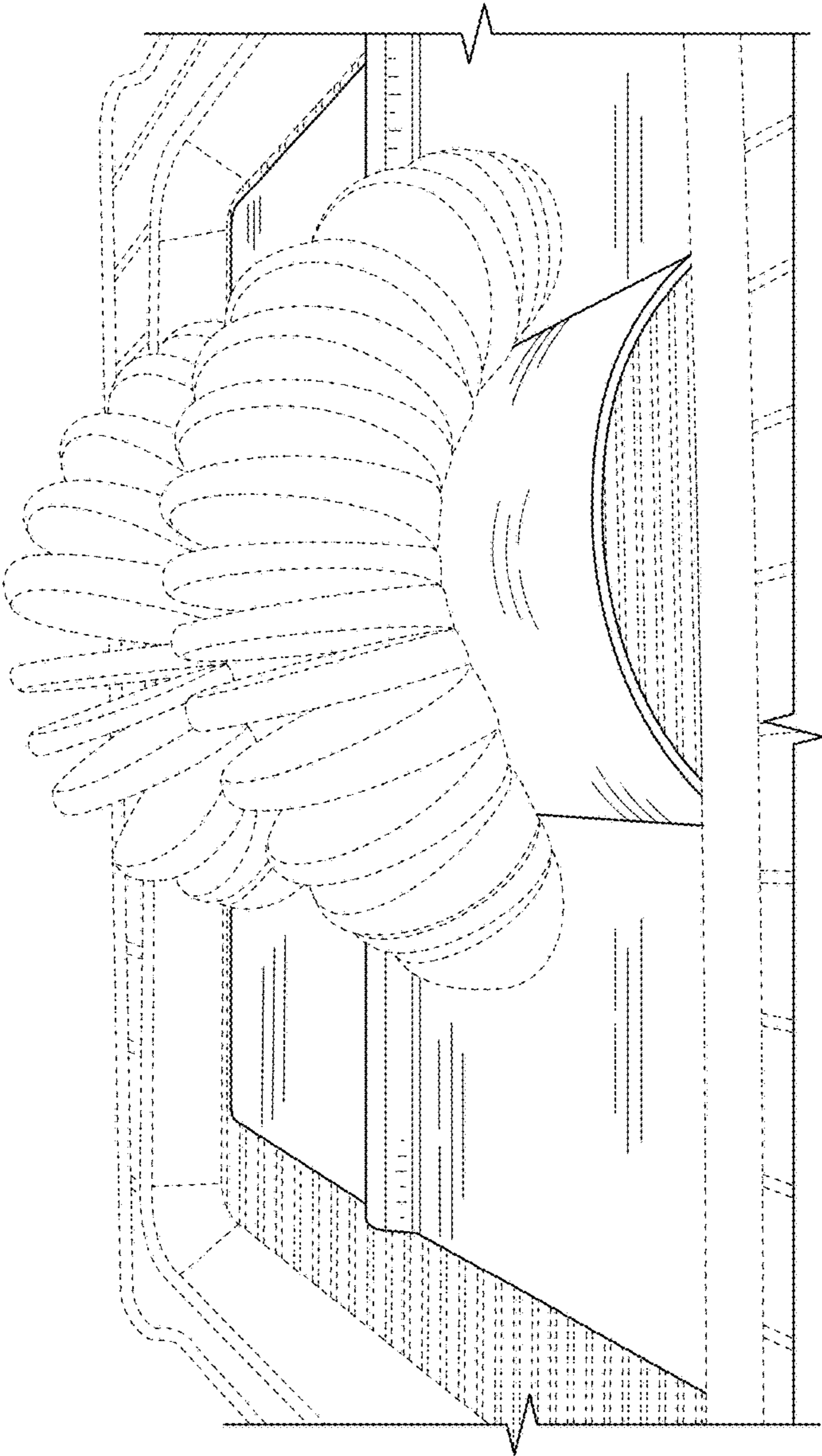


FIG. 6