



US00D859916S

(12) **United States Design Patent**
Nilssen

(10) **Patent No.:** **US D859,916 S**
(45) **Date of Patent:** **** Sep. 17, 2019**

- (54) **GRILL GRATE**
- (71) Applicant: **Hestan Commercial Corporation,**
Anaheim, CA (US)
- (72) Inventor: **Ray Nilssen,** Fairhope, AL (US)
- (73) Assignee: **Hestan Commercial Corporation,**
Anaheim, CA (US)
- (**) Term: **15 Years**
- (21) Appl. No.: **29/595,483**
- (22) Filed: **Feb. 28, 2017**
- (51) **LOC (12) Cl.** **07-02**
- (52) **U.S. Cl.**
USPC **D7/409**
- (58) **Field of Classification Search**
USPC D6/705.6; D7/323, 332, 335-337,
D7/354-355, 359-364, 387-388, 402,
D7/407-409
CPC A21B 2/00; A21B 3/00; A21B 3/13; A21B
3/15; A21B 5/00; A21B 5/02; A23N
12/06; A23N 12/08; A23N 12/10; A47J
37/00; A47J 37/04; A47J 37/041; A47J
37/042; A47J 37/06; A47J 37/0688; A47J
37/0694; A47J 37/07; A47J 37/0704;
A47J 37/10; A47J 47/20; A47J 2037/00;
A47J 2037/06; A47J 2037/0611; A47J
2037/07; A47J 2037/0786; A47J
2037/0795; A47L 15/501; F24B 1/182;
F24C 15/10; F24C 15/12; F24C 15/14;
F24C 15/16; F24C 15/164; F24C 15/18;
F25D 25/021
See application file for complete search history.

(56) **References Cited**

U.S. PATENT DOCUMENTS

- 2,799,426 A * 7/1957 Kaye F25D 25/021
206/511
- 2,832,499 A * 4/1958 Maslow A47L 15/501
211/41.8

- D263,918 S * 4/1982 Boyd D7/336
- D291,768 S * 9/1987 Murphy F24C 15/16
D7/408
- 5,133,333 A * 7/1992 Stout A47J 37/0694
108/35
- 5,303,692 A * 4/1994 Shasad F24B 1/182
108/35
- D547,094 S * 7/2007 Klein F24B 1/182
D6/705.6
- D551,884 S * 10/2007 Remmers A47J 37/0694
D6/705.6
- 7,735,481 B1 * 6/2010 Kalsi F24C 15/16
108/115
- D650,226 S * 12/2011 Walker A47L 15/501
D7/354
- D702,495 S * 4/2014 Chung F25D 25/021
D7/408

(Continued)

OTHER PUBLICATIONS

Examiner's Report issued in corresponding Canadian Design Appli-
cation No. 176550 dated Feb. 26, 2018.

Primary Examiner — Ricky Pham
(74) *Attorney, Agent, or Firm* — Akerman LLP

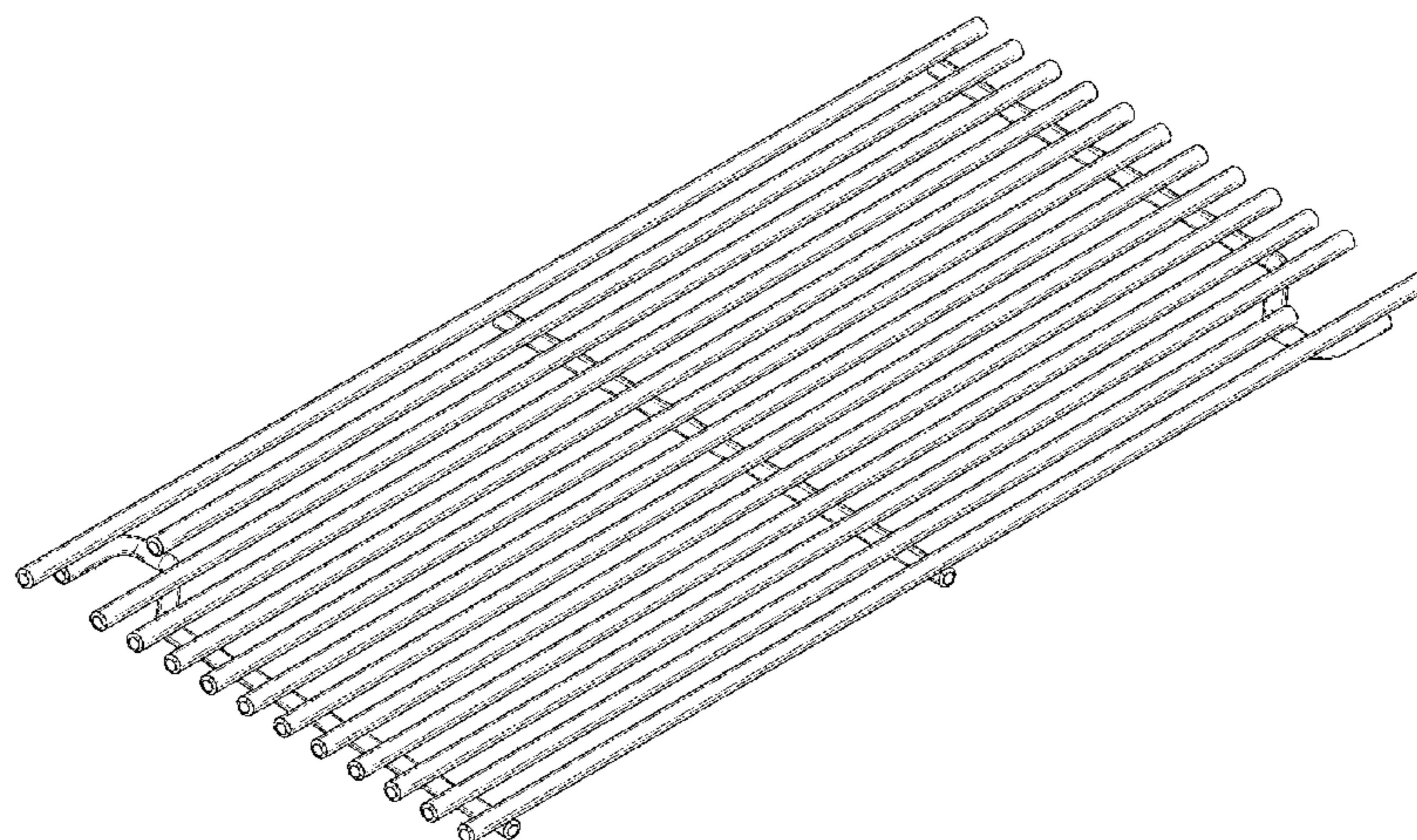
(57) **CLAIM**

The ornamental design for a grill grate, as shown and
described.

DESCRIPTION

FIG. 1 is a perspective view of the "grill grate", showing my
new design;
FIG. 2 is a right side view thereof;
FIG. 3 is a left side view thereof;
FIG. 4 is a front view thereof;
FIG. 5 is a back view thereof;
FIG. 6 is a top view thereof; and,
FIG. 7 is a bottom view thereof.

1 Claim, 5 Drawing Sheets



(56)

References Cited

U.S. PATENT DOCUMENTS

2004/0112852 A1* 6/2004 Brooks F24C 15/16
211/153
2006/0076004 A1* 4/2006 Yarder A47J 37/0694
126/152 B

* cited by examiner

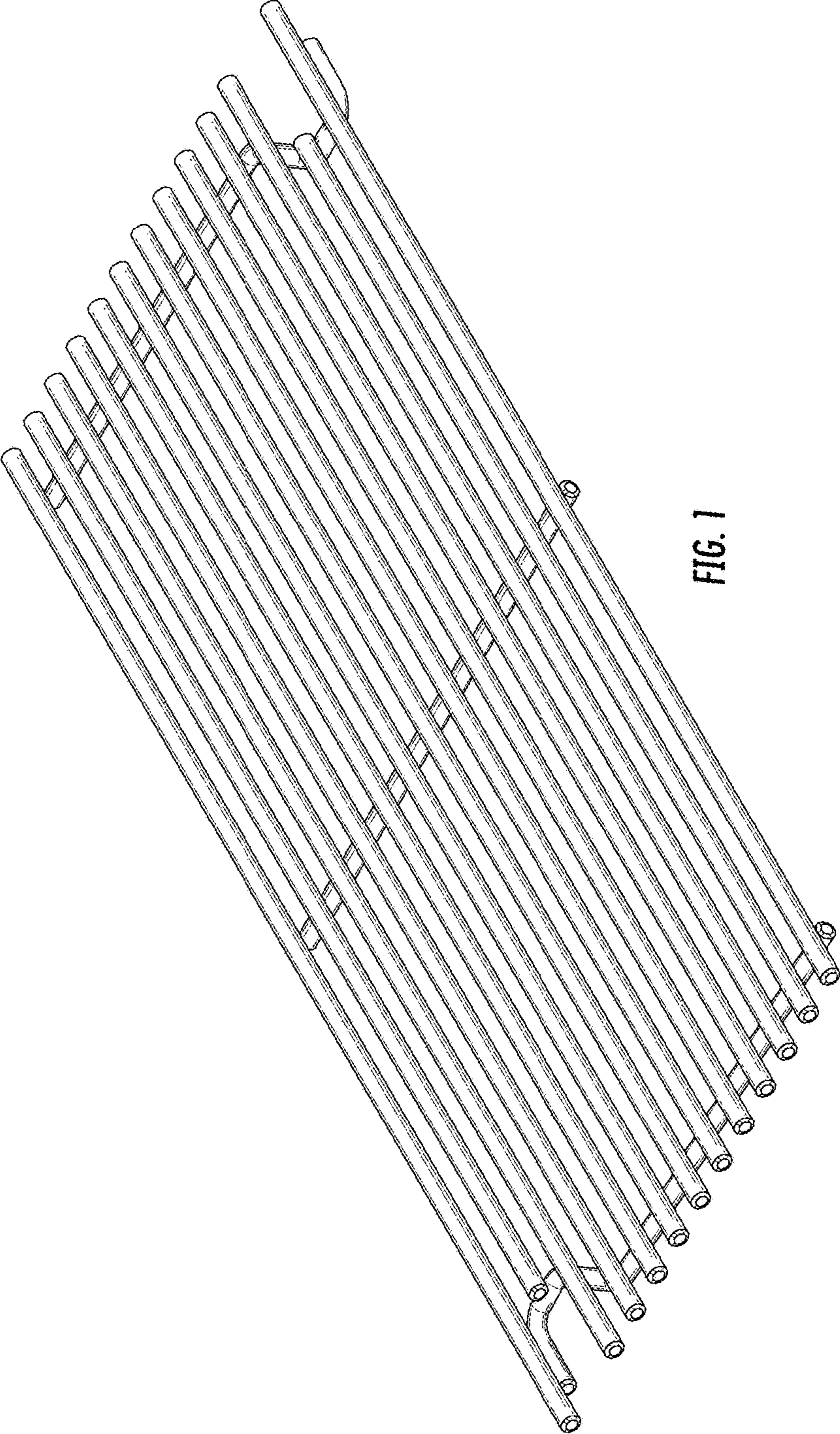


FIG. 1

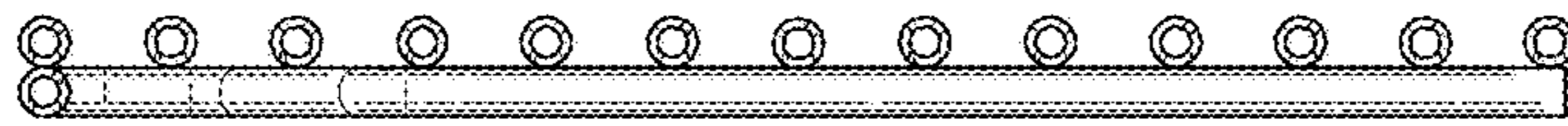


FIG. 2

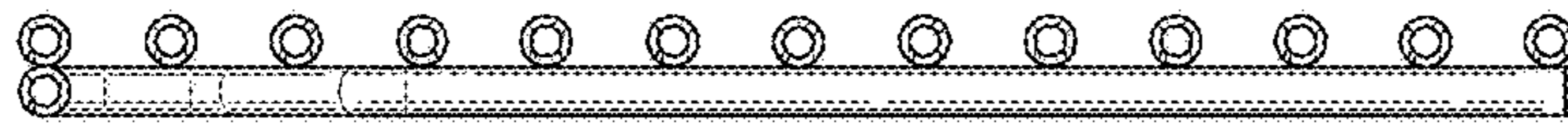


FIG. 3

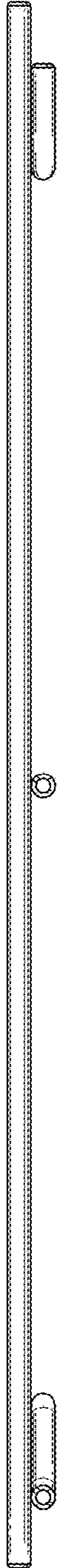


FIG. 4



FIG. 5

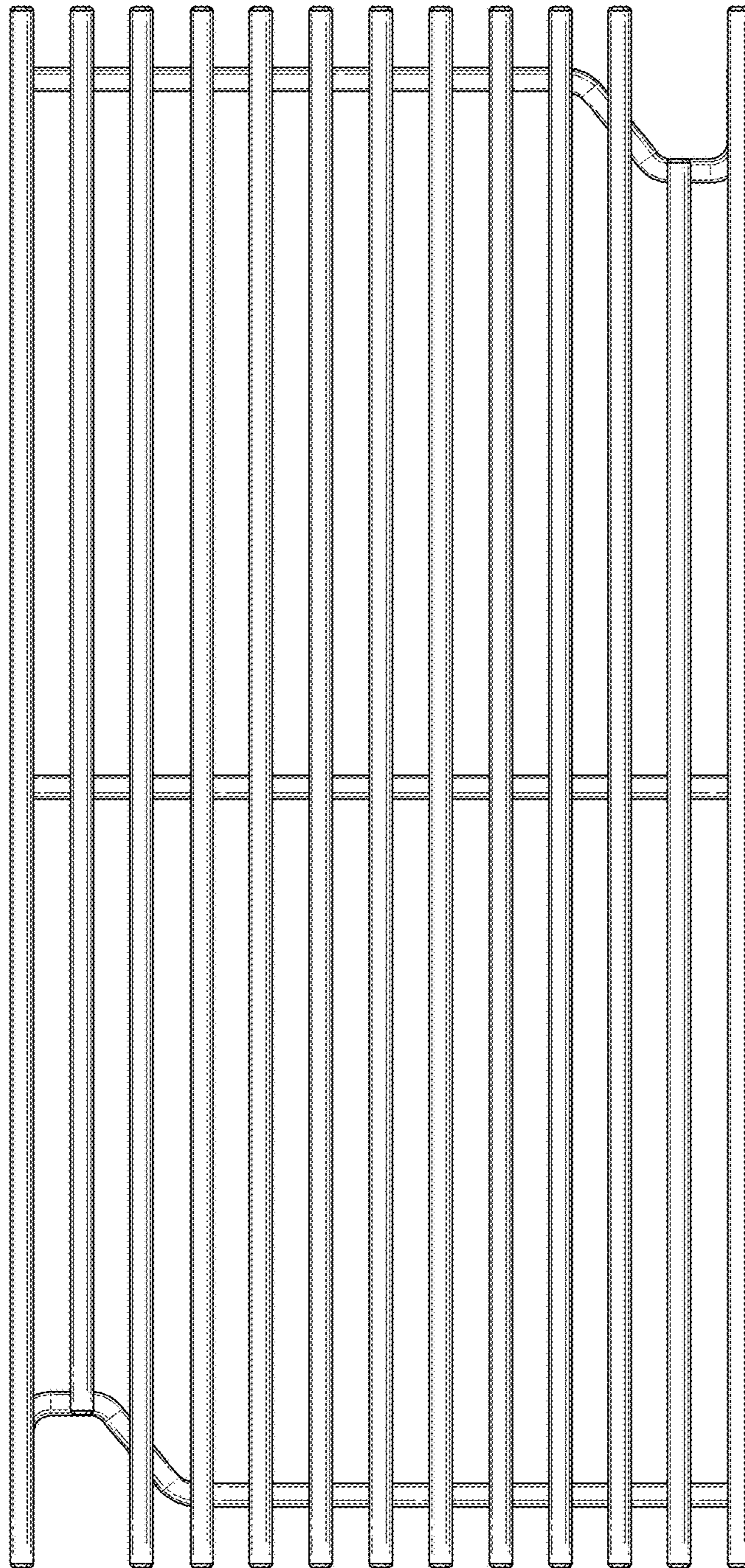


FIG. 6

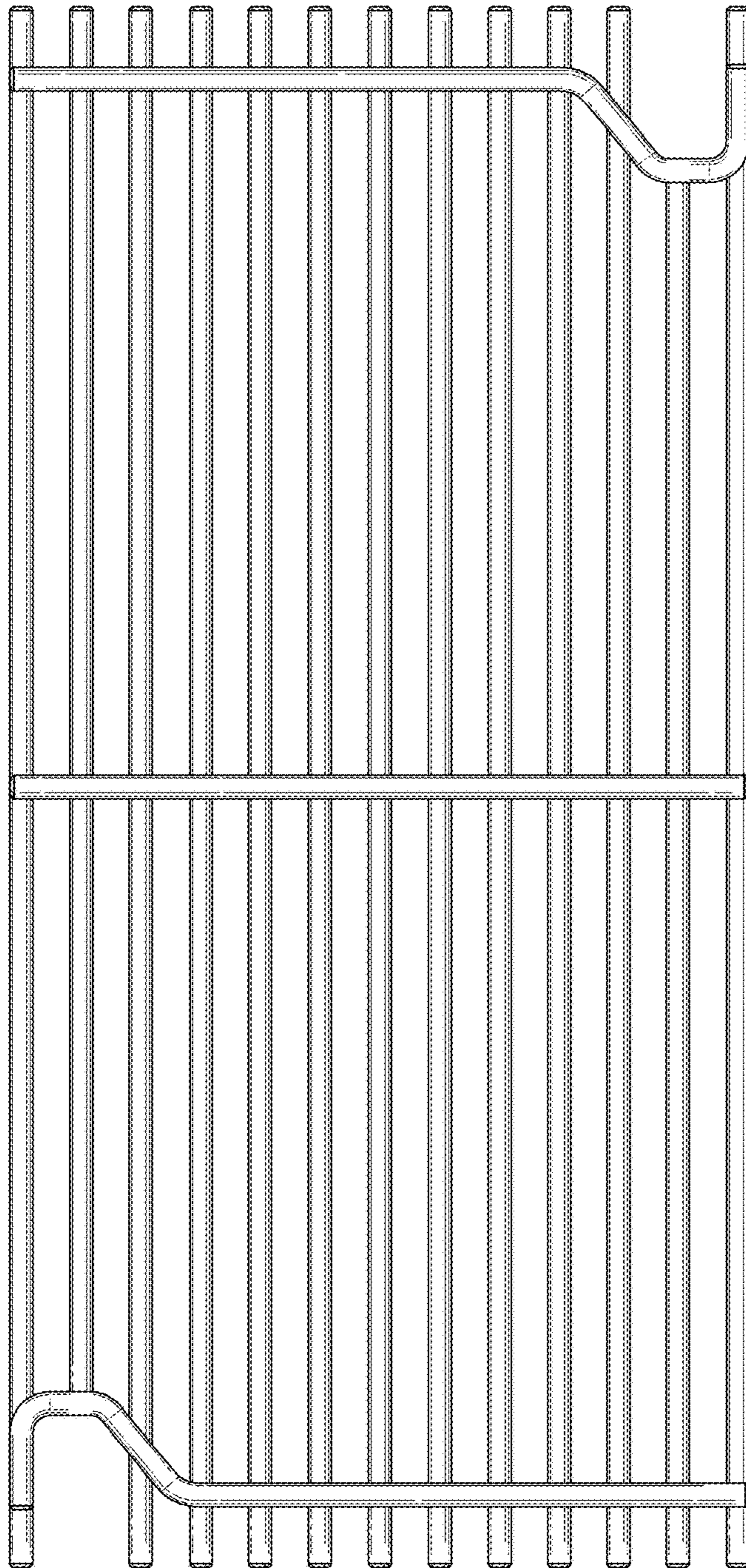


FIG. 7