



US00D859915S

(12) **United States Design Patent**  
**Beckerman et al.**

(10) **Patent No.:** **US D859,915 S**

(45) **Date of Patent:** **\*\* Sep. 17, 2019**

(54) **POUR SPOUT**

(71) Applicant: **STILLHOUSE SPIRITS CO.**, Los Angeles, CA (US)

(72) Inventors: **Brad Beckerman**, Encino, CA (US);  
**Andy Wong**, Kowloon (HK)

(73) Assignee: **Stillhouse Spirits Co.**, Los Angeles, CA (US)

(\*\*) Term: **15 Years**

(21) Appl. No.: **29/609,147**

(22) Filed: **Jun. 28, 2017**

(51) **LOC (12) Cl.** ..... **07-99**

(52) **U.S. Cl.**  
USPC ..... **D7/398**

(58) **Field of Classification Search**  
USPC ..... D7/300, 300.1, 500, 598, 387, 397, 398;  
D9/434, 435, 439, 440, 447  
CPC ..... B65D 41/04; A47J 36/14  
See application file for complete search history.

(56) **References Cited**

U.S. PATENT DOCUMENTS

3,966,099	A *	6/1976	Sanford, Jr. ....	B67D 3/00 222/478
D468,205	S *	1/2003	Pierce .....	D9/440
D614,443	S *	4/2010	Federighi .....	D7/397
D701,764	S *	4/2014	Brower .....	D9/440
D790,341	S *	6/2017	Ross .....	D9/447
2012/0091171	A1 *	4/2012	Lovelace, III .....	B65D 47/127 222/562
2015/0266715	A1 *	9/2015	Wittrup .....	B67D 3/0041 222/25

OTHER PUBLICATIONS

Custom Pour Spout | posted at swag.stillhouse.com, no date posted [site visited Nov. 15, 2018]. Available from Internet, <URL: https://swag.stillhouse.com/products/stillhouse-pour-spouts> (Year: 2018).\*  
Liquor Purer | posted at amazon.com, posted on Aug. 24, 2016 [site visited Nov. 15, 2018]. Available from Internet, <URL: https://www.amazon.com/Oversized-Chrome-Liquor-Purer-Signature/dp/B01KYGIIOO/ref=sr\_1\_33?ie=UTF8&qid=1542316310&sr=8-33&keywords=pour+spout> (Year: 2016).\*

\* cited by examiner

*Primary Examiner* — Derrick E Holland

*Assistant Examiner* — Andrew Kerr

(74) *Attorney, Agent, or Firm* — Amster, Rothstein & Ebenstein LLP

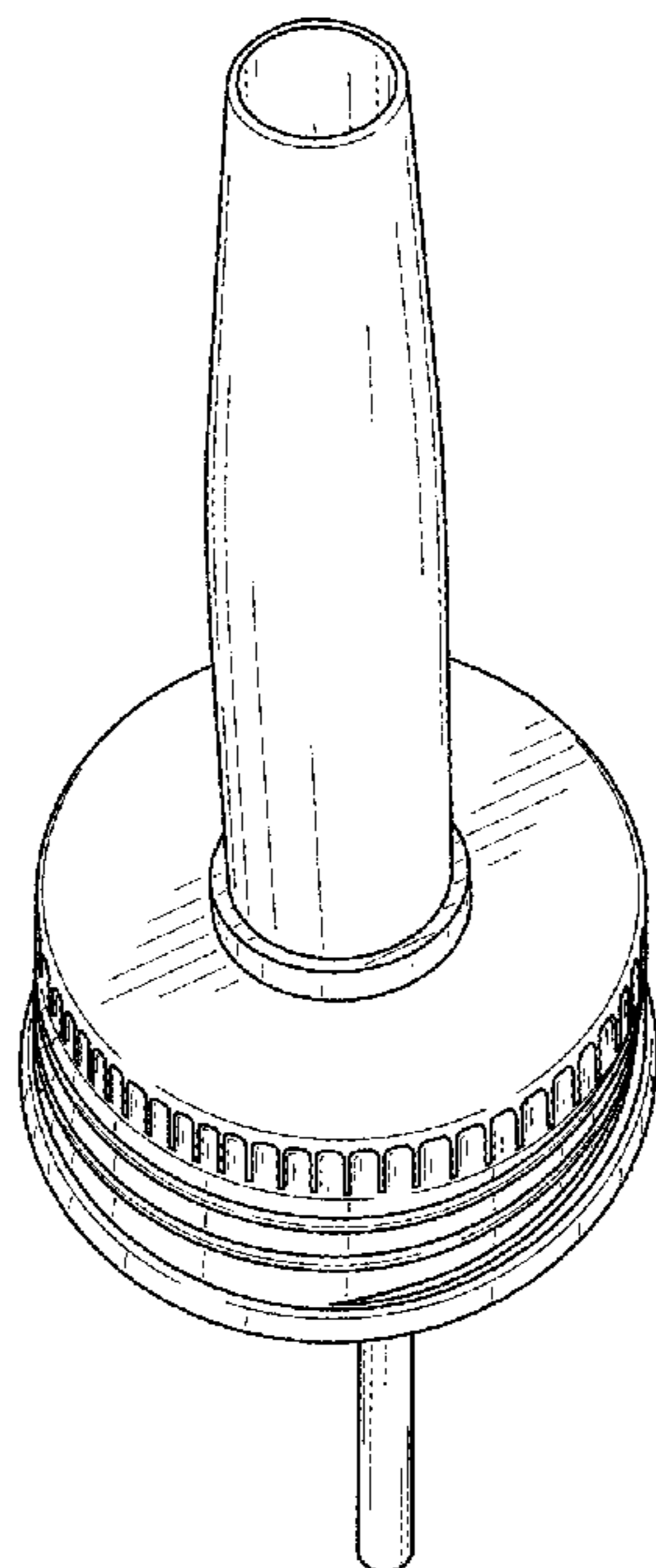
(57) **CLAIM**

The ornamental design for a pour spout, as shown and described.

**DESCRIPTION**

FIG. 1 is a front, top and side perspective view of a pour spout showing our new design;  
FIG. 2 is a rear view thereof;  
FIG. 3 is a front view thereof;  
FIG. 4 is a side view thereof;  
FIG. 5 is an opposite side view thereof;  
FIG. 6 is a top view thereof;  
FIG. 7 is a bottom view thereof; and,  
FIG. 8 is a front, bottom and side perspective view thereof.

**1 Claim, 5 Drawing Sheets**



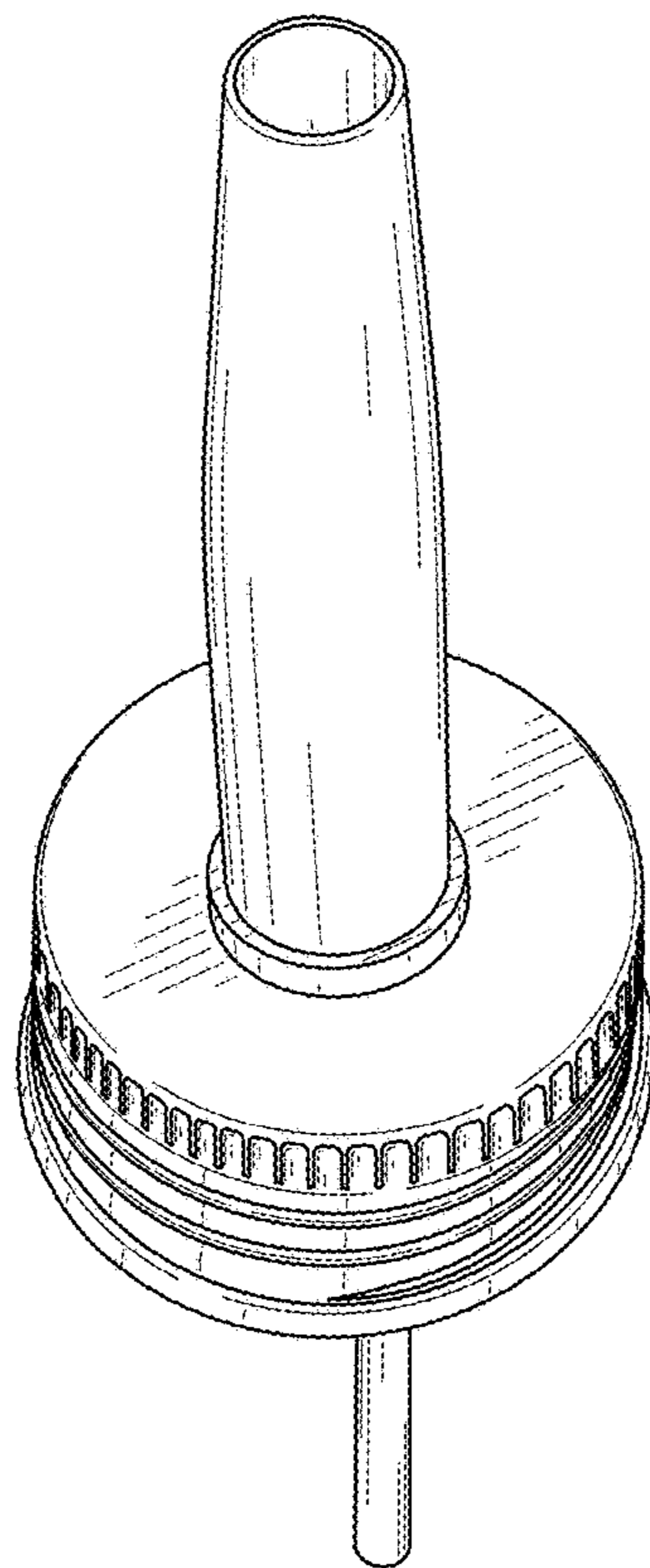
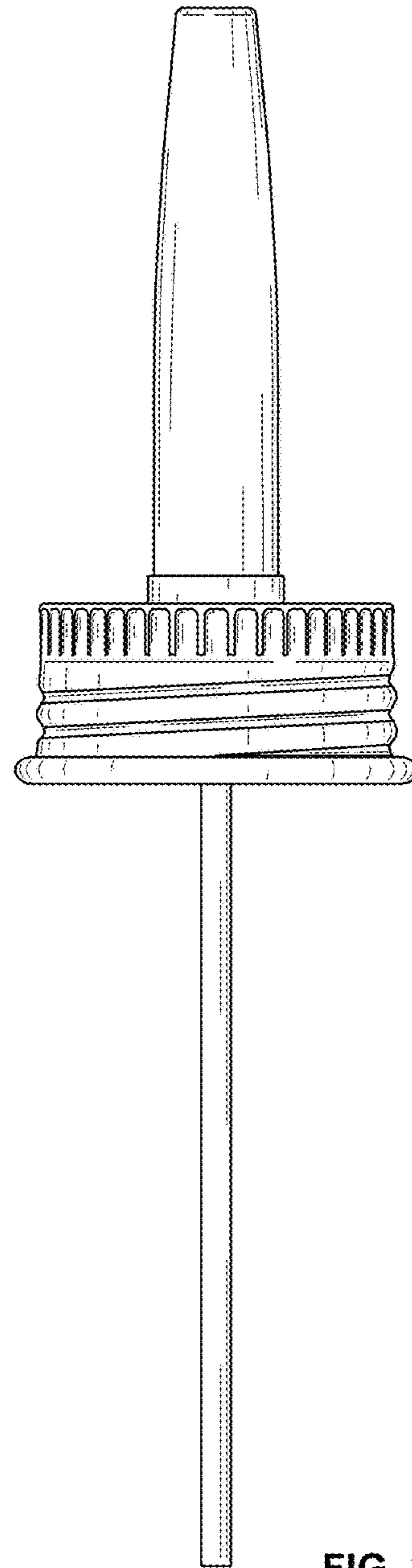
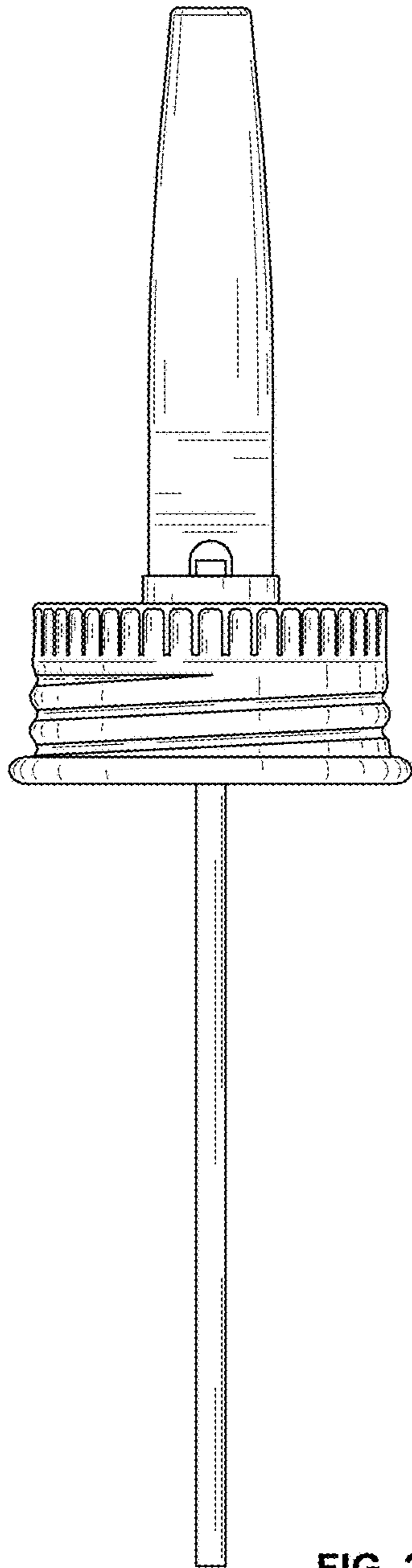


FIG. 1



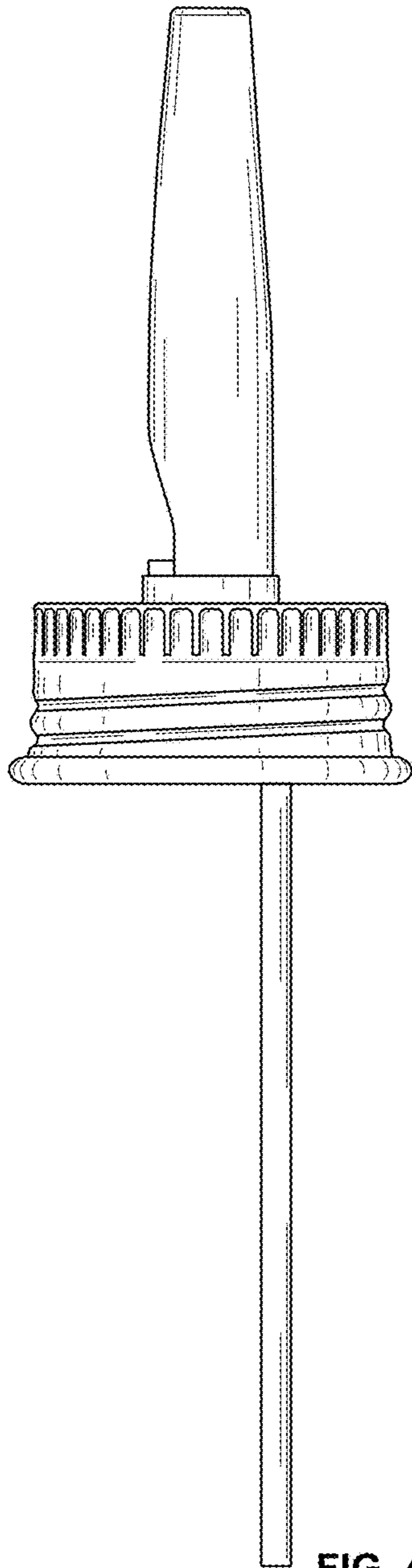


FIG. 4

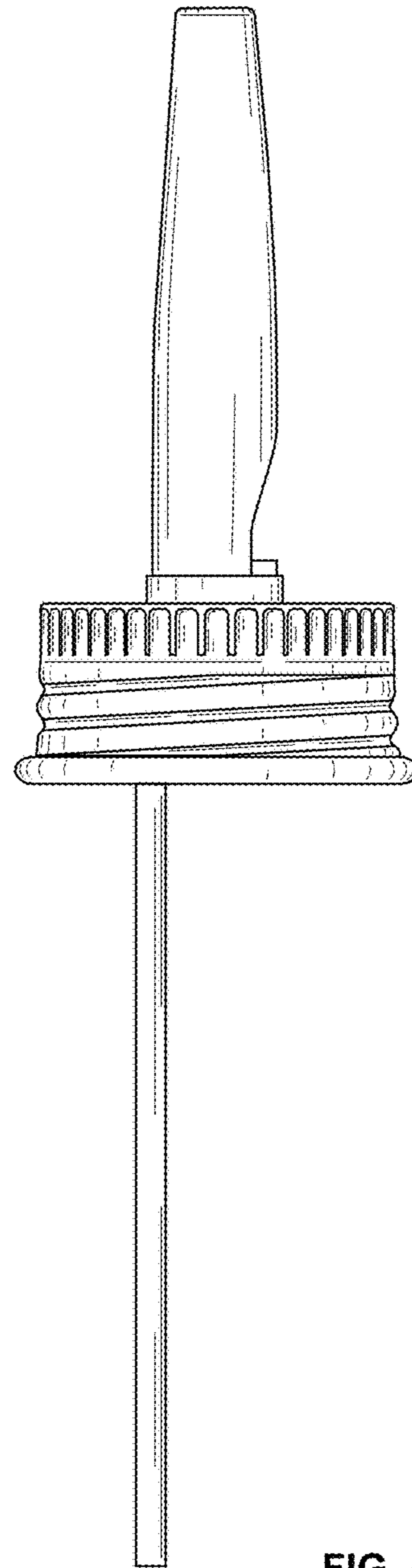


FIG. 5

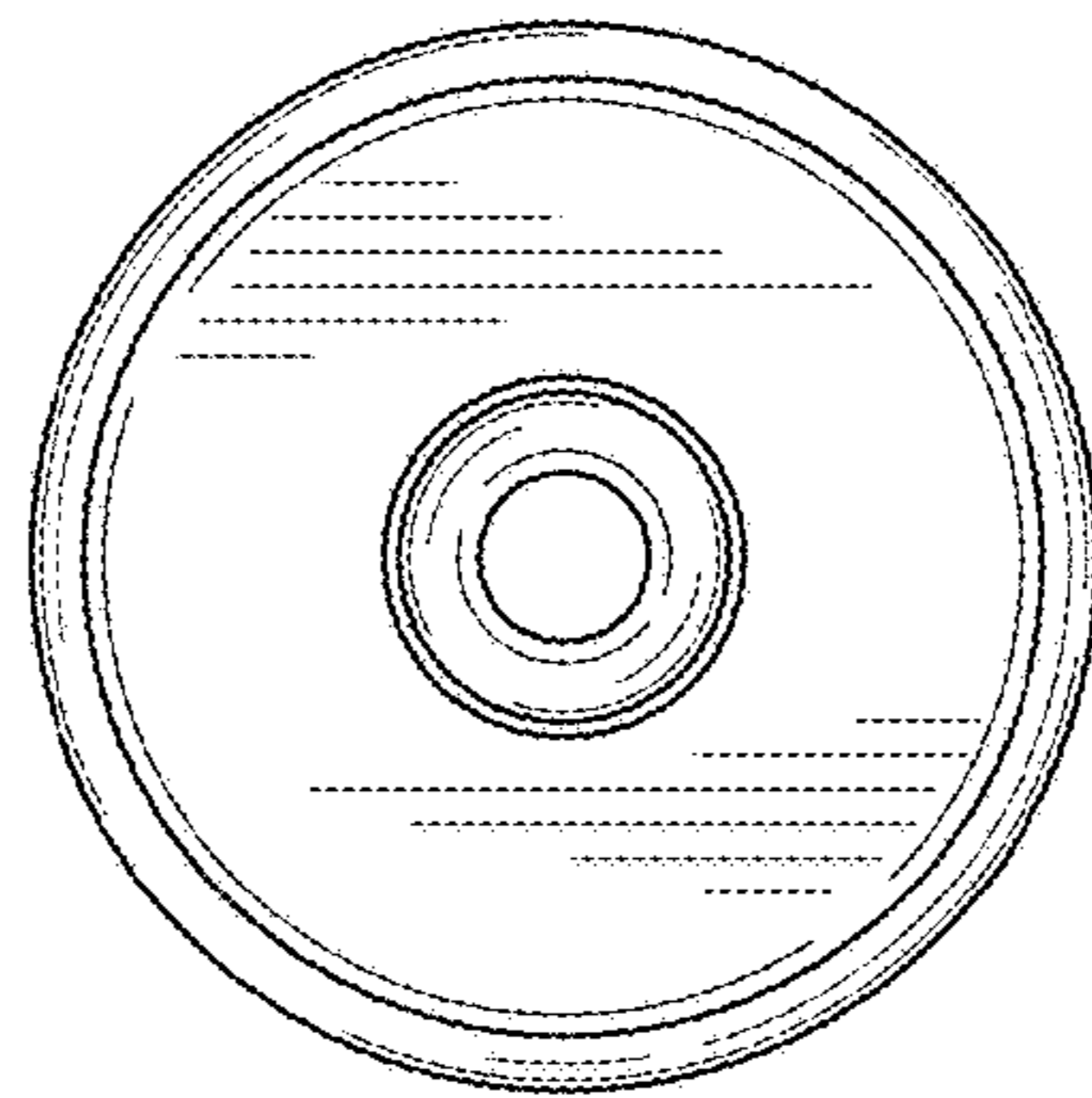


FIG. 6

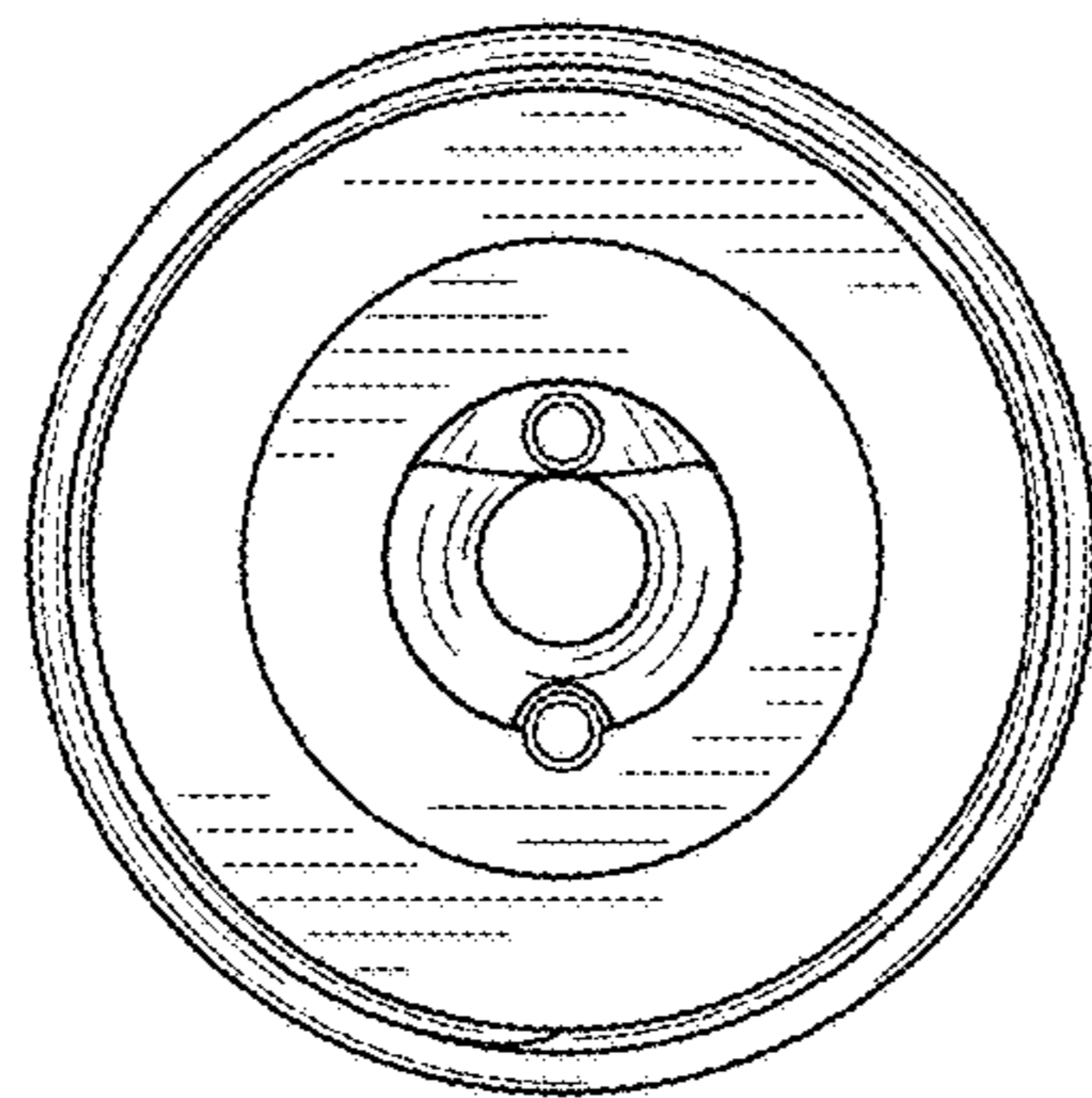


FIG. 7

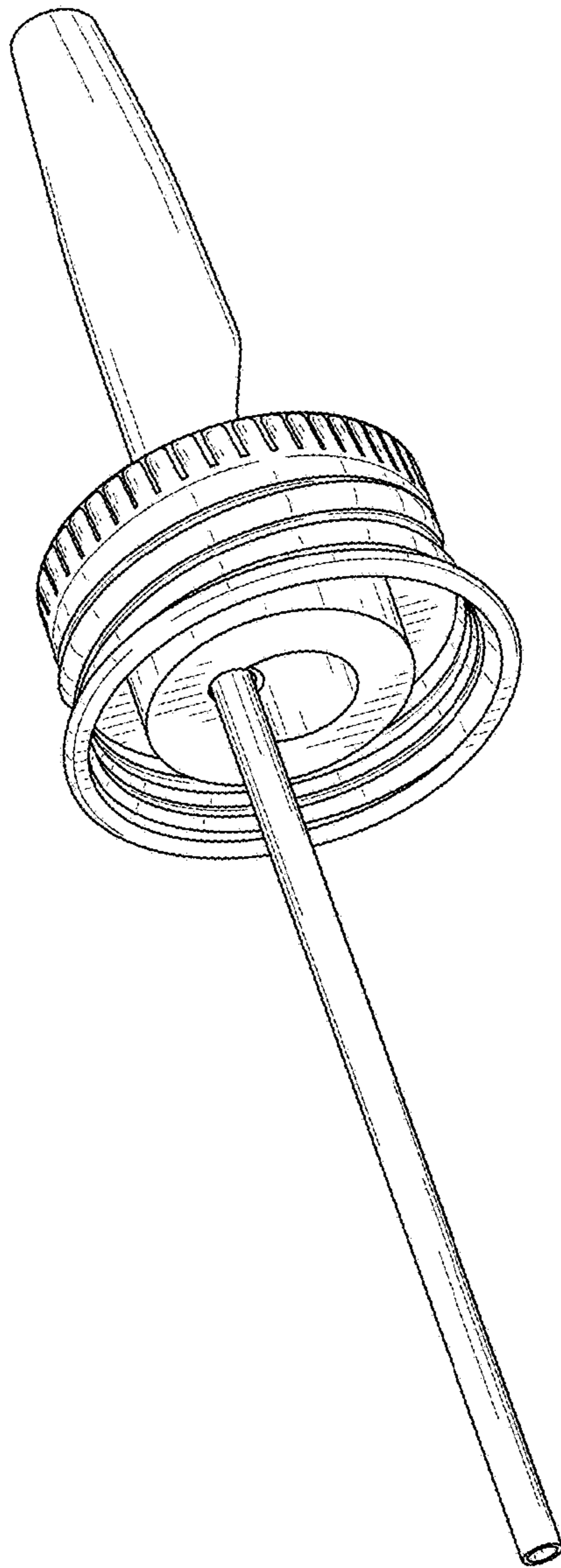


FIG. 8