



US00D859914S

(12) **United States Design Patent** (10) **Patent No.:** **US D859,914 S**  
**Kristiansen** (45) **Date of Patent:** **\*\* Sep. 17, 2019**

- (54) **LID FOR DRINKING VESSELS**
- (71) Applicant: **Jan Ivar Kristiansen**, Våler i Østfold (NO)
- (72) Inventor: **Jan Ivar Kristiansen**, Våler i Østfold (NO)
- (\*\*) Term: **15 Years**
- (21) Appl. No.: **35/504,899**
- (22) Filed: **Feb. 22, 2018**
- (80) **Hague Agreement Data**  
 Int. Filing Date: **Feb. 22, 2018**  
 Int. Reg. No.: **DM/100867**  
 Int. Reg. Date: **Feb. 22, 2018**  
 Int. Reg. Pub. Date: **May 11, 2018**
- (51) **LOC (12) Cl.** ..... **07-01**
- (52) **U.S. Cl.**  
 USPC ..... **D7/392.1**
- (58) **Field of Classification Search**  
 USPC ..... D7/392.1, 396.2, 510, 509, 511, 624.1;  
 D9/435, 439, 440, 445, 447, 449, 450,  
 D9/454, 500, 503, 504, 505; D14/215,  
 D14/216, 219; D23/209, 261, 213, 249  
 CPC .. A47G 19/22-23; E03C 1/084; Y10S 261/22  
 See application file for complete search history.

- (56) **References Cited**  
 U.S. PATENT DOCUMENTS  
 D383,939 S \* 9/1997 Jeppesen ..... D7/391  
 6,260,731 B1 \* 7/2001 Cummings ..... A45F 3/16  
 220/717  
 D463,208 S \* 9/2002 Copeland ..... D7/392.1  
 D475,573 S \* 6/2003 Jalet ..... D7/392.1  
 D499,931 S \* 12/2004 Kim ..... D7/392.1  
 D525,824 S \* 8/2006 Exley ..... D7/392

- D586,178 S \* 2/2009 Ku ..... D7/392.1
- D641,209 S \* 7/2011 Ablo ..... D7/392.1
- D676,275 S \* 2/2013 Chen ..... D7/392.1
- D676,276 S \* 2/2013 Muspratt-Williams ..... D7/392.1
- D682,609 S \* 5/2013 Lindsay ..... D7/392.1
- D689,735 S \* 9/2013 Redfern ..... D7/392.1
- D717,104 S \* 11/2014 Redfern ..... D7/392.1
- D731,239 S \* 6/2015 Rothfield ..... D7/392.1
- D731,241 S \* 6/2015 Yessin ..... D7/392.1
- D746,631 S \* 1/2016 Tseng ..... D7/392.1
- D750,427 S \* 3/2016 Kautto ..... D7/392.1
- D754,470 S \* 4/2016 Rothfield ..... D7/392.1
- D760,536 S \* 7/2016 Scevola ..... D7/392.1
- D767,329 S \* 9/2016 Mock ..... D7/392.1
- D795,007 S \* 8/2017 Plassmeyer ..... D7/392.1
- D811,160 S \* 2/2018 Evans ..... D7/392.1
- D811,811 S \* 3/2018 Wachter ..... D7/392.1
- D831,415 S \* 10/2018 Hansen ..... D7/392.1
- 2006/0027588 A1 \* 2/2006 Mackovic-Basic .....  
 B65D 47/265  
 220/795

\* cited by examiner

*Primary Examiner* — Mary Ann Calabrese  
*Assistant Examiner* — Jennifer L Rempfer

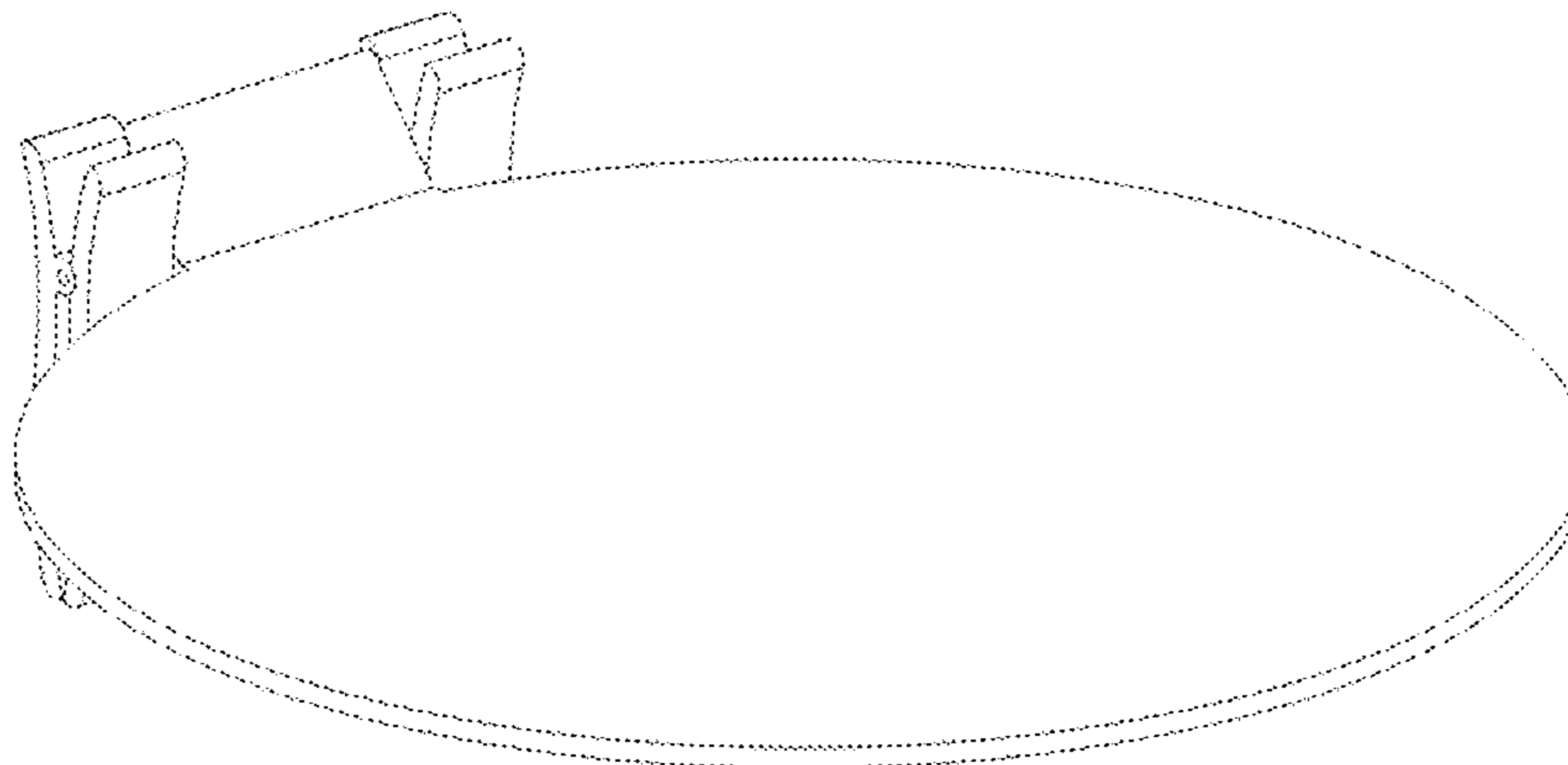
(57) **CLAIM**

The ornamental design for a lid for drinking vessels, as shown and described.

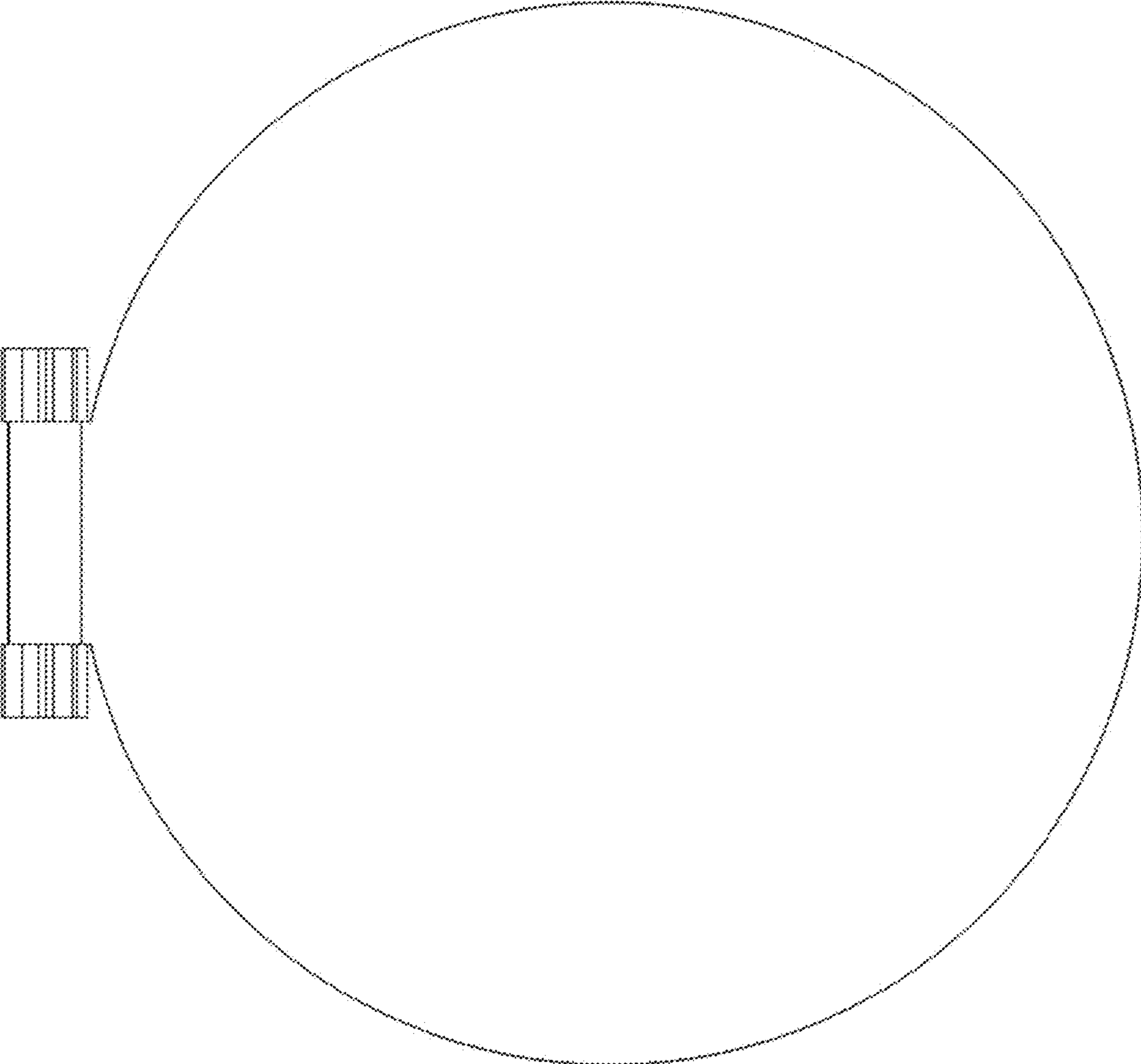
**DESCRIPTION**

- 1. lid for drinking vessels
- 1.1 is a top view of the lid;
- 1.2 is a right side view thereof;
- 1.3 is a rear view thereof;
- 1.4 is a front view thereof;
- 1.5 is a front, right perspective view thereof;
- 1.6 is a front, right perspective view of the lid in a folded down position;
- 1.7 is a right side view with the lid in a folded down position.

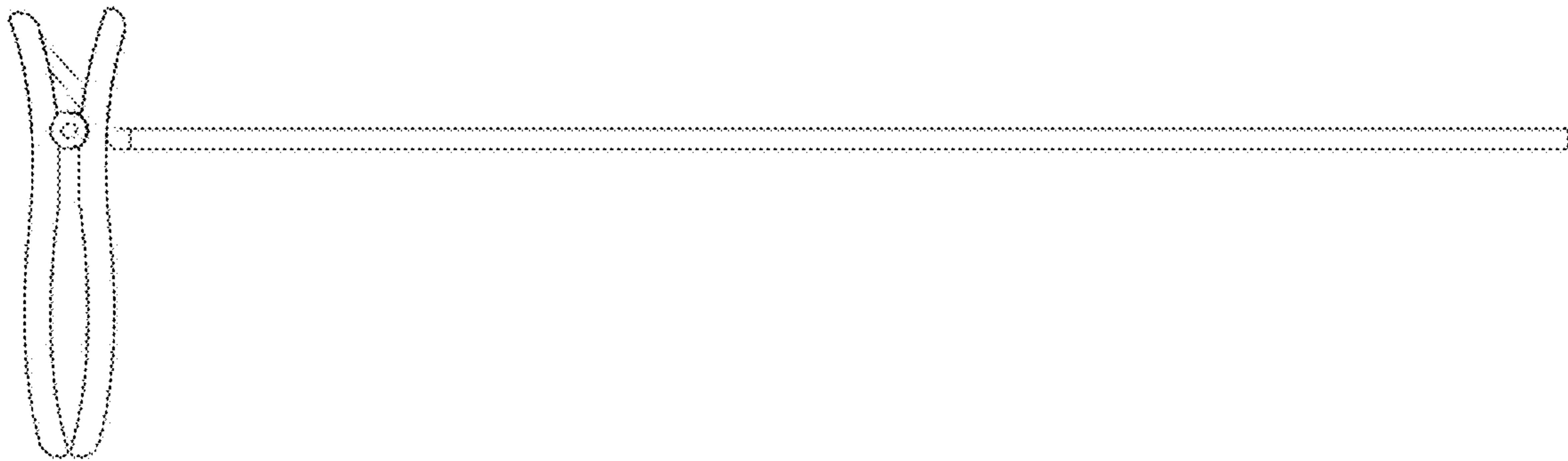
**1 Claim, 7 Drawing Sheets**



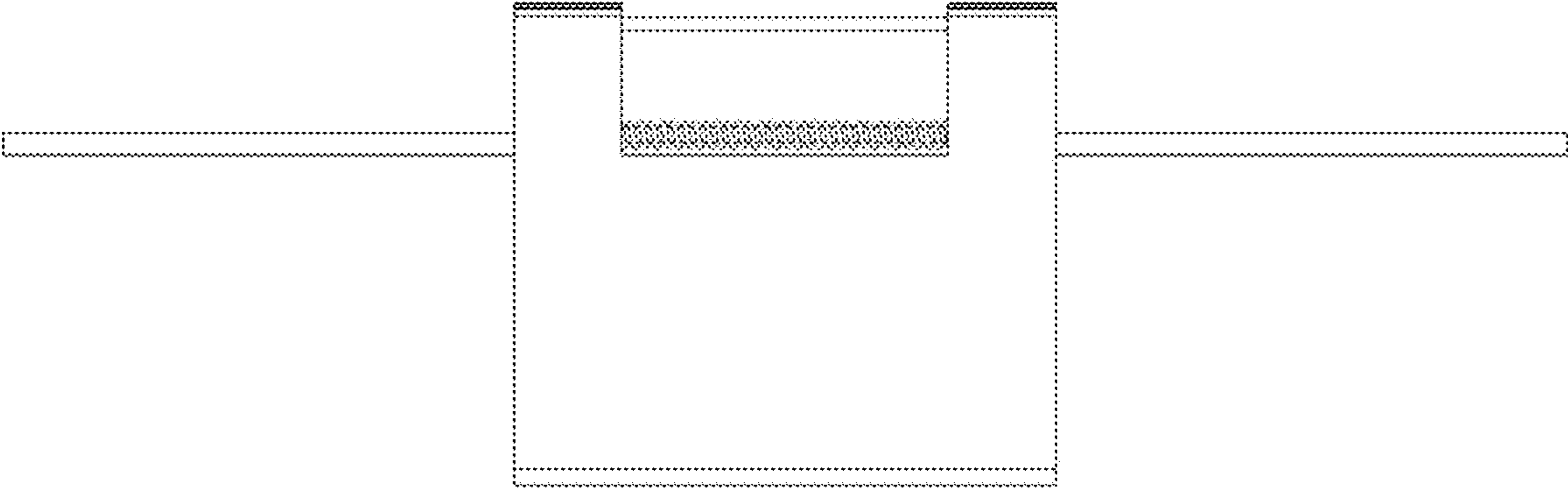
1.1



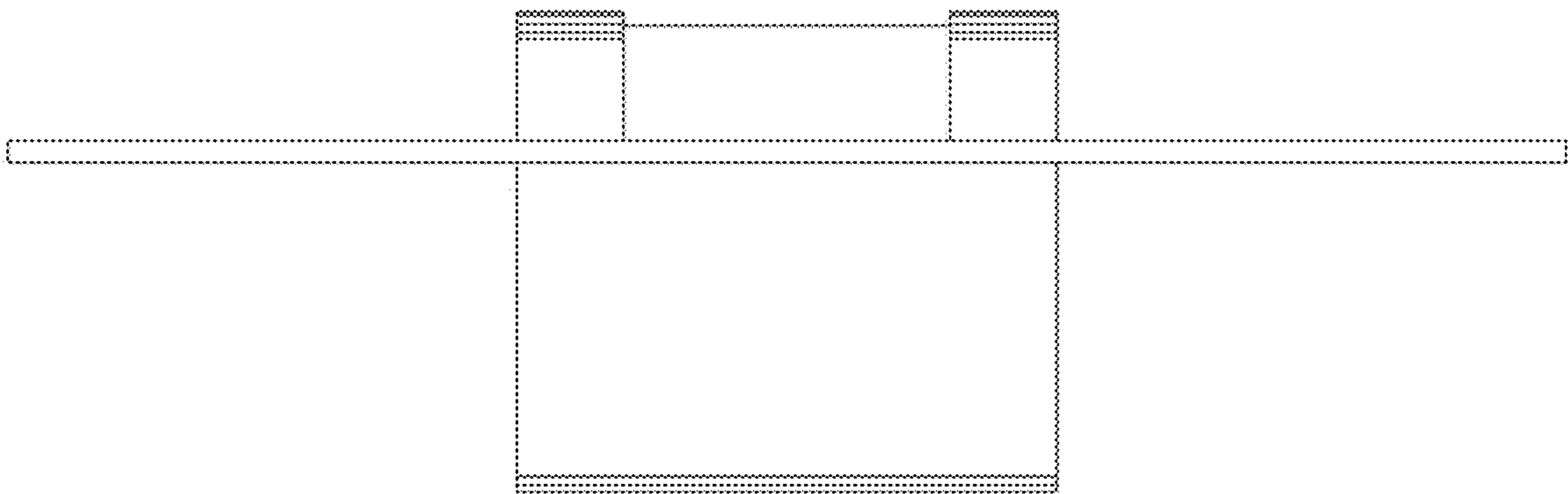
1.2



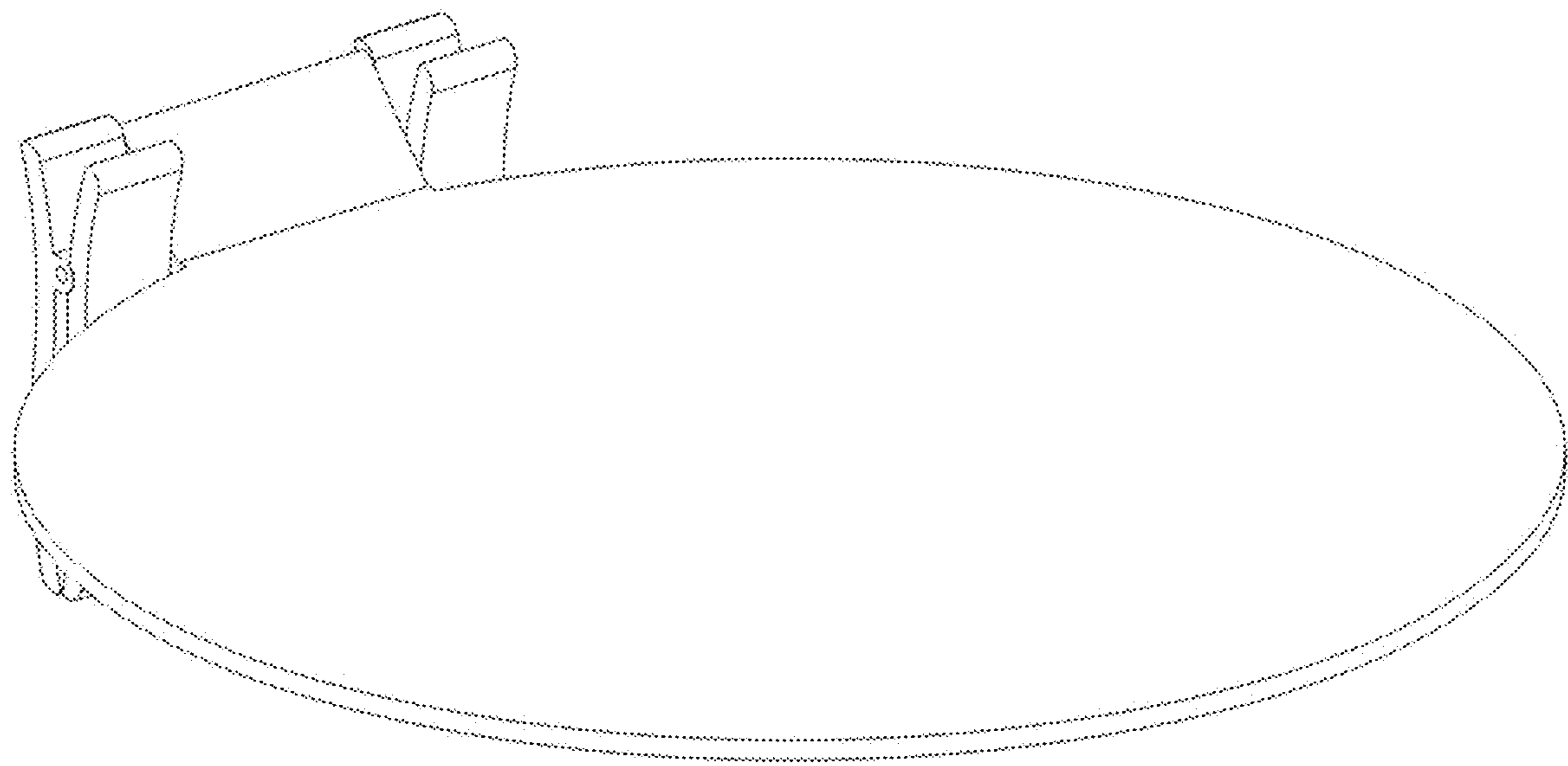
1.3



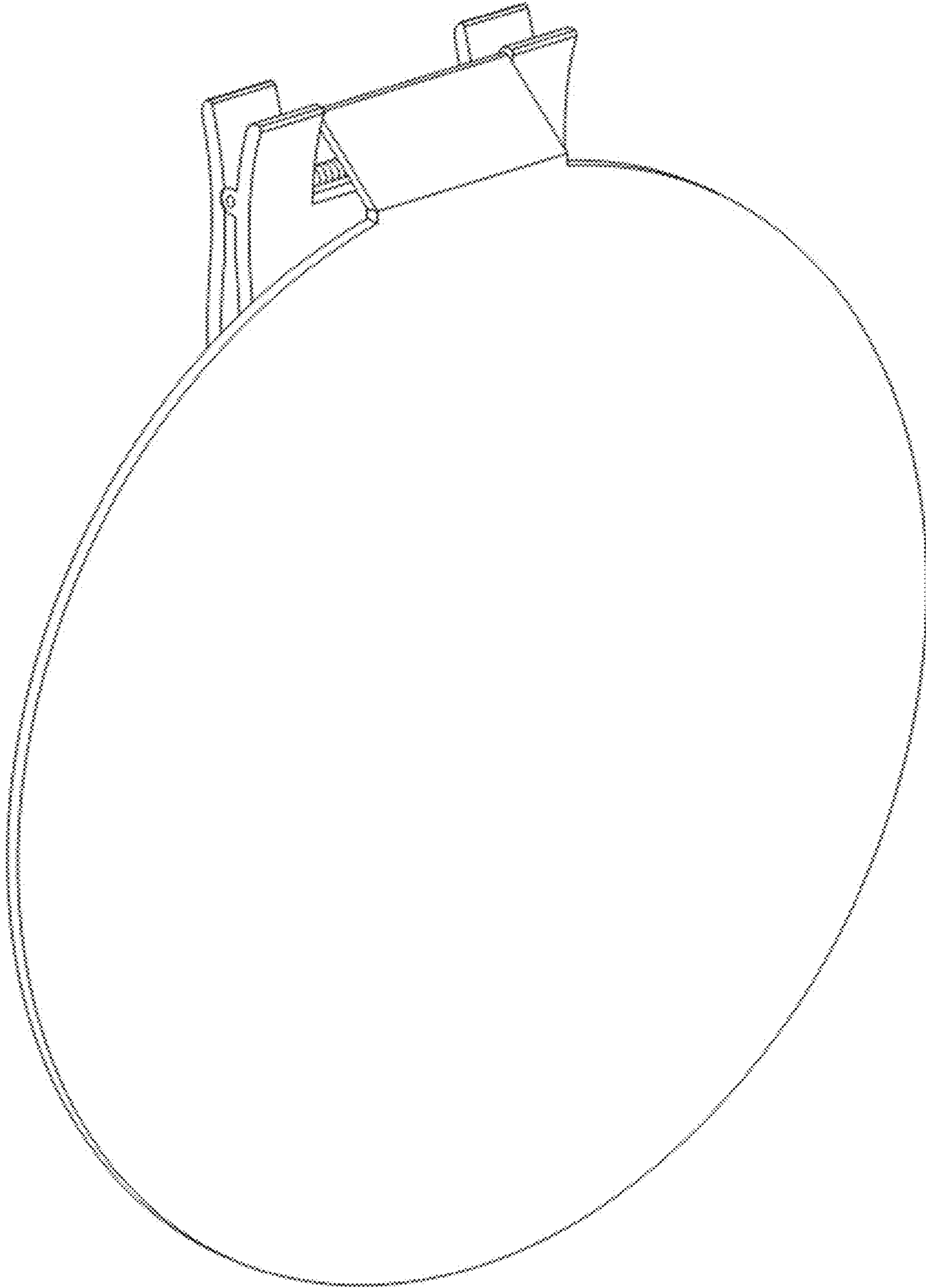
1.4



1.5



1.6



1.7

