



US00D859913S

(12) **United States Design Patent**
Thomas

(10) **Patent No.:** **US D859,913 S**
(45) **Date of Patent:** **** Sep. 17, 2019**

(54) **LID FOR CONTAINER**
(71) Applicant: **Breville Pty Limited**, Alexandria (AU)
(72) Inventor: **Mark Thomas**, Alexandria (AU)
(73) Assignee: **Breville Pty Limited**, Alexandria (AU)
(**) Term: **15 Years**
(21) Appl. No.: **29/650,993**
(22) Filed: **Jun. 12, 2018**

(30) **Foreign Application Priority Data**

May 30, 2018 (AU) 201813242

(51) **LOC (12) Cl.** **07-99**

(52) **U.S. Cl.**
USPC **D7/391**; D7/412; D9/443

(58) **Field of Classification Search**
USPC D9/428, 429, 432, 434, 435, 436, 439,
D9/440, 443, 444, 445, 447, 449-455,
D9/499, 500, 503, 504, 705; D7/317,
D7/387, 391, 392, 392.1, 393, 396.1,
D7/396.2, 509-511, 538, 900, 378, 380,
D7/412, 413; D3/202, 203.2, 294, 302,
D3/318; D28/91

CPC .. A61J 1/00; A61J 1/1412; B65D 1/00; B65D
1/02; B65D 1/10; B65D 1/46; B65D
2585/56; B65D 2585/545; B65D 41/00;
B65D 41/38; B65D 41/56; B65D 41/62;
B65D 47/00; B65D 47/06; B65D 47/08;
B65D 2543/00046; B65D 2543/00092;
B65D 2543/00296; B65D 5/46; B65D
2251/00

See application file for complete search history.

(56) **References Cited**

U.S. PATENT DOCUMENTS

D315,475 S * 3/1991 Finger D7/392
D322,940 S * 1/1992 Rivera D9/435

6,817,750 B1 * 11/2004 Sands A47J 19/027
366/205
D526,839 S * 8/2006 Boozer D7/392
D537,674 S * 3/2007 Davenport D7/378
D543,072 S * 5/2007 Ting D7/378
D567,584 S * 4/2008 Boozer D7/413
D577,545 S * 9/2008 Ulanski D7/391
D592,454 S * 5/2009 Boozer D7/412
D647,360 S * 10/2011 Smyers D7/391
D672,606 S * 12/2012 Dietz D7/376
D687,709 S * 8/2013 Taylor D9/453
D700,473 S * 3/2014 Duvigneau D7/391
D731,234 S * 6/2015 Weaden D7/376
D744,276 S * 12/2015 Olin D7/392.1
D804,241 S * 12/2017 Gordon D7/392.1
D815,886 S * 4/2018 Huang D7/378
D818,765 S * 5/2018 Ulanski D7/391
9,993,114 B2 * 6/2018 Thomas A47J 43/046
D829,505 S * 10/2018 Kim D7/413

(Continued)

Primary Examiner — Michael A. Pratt

Assistant Examiner — Wendy L Arminio

(74) *Attorney, Agent, or Firm* — Moser Taboada

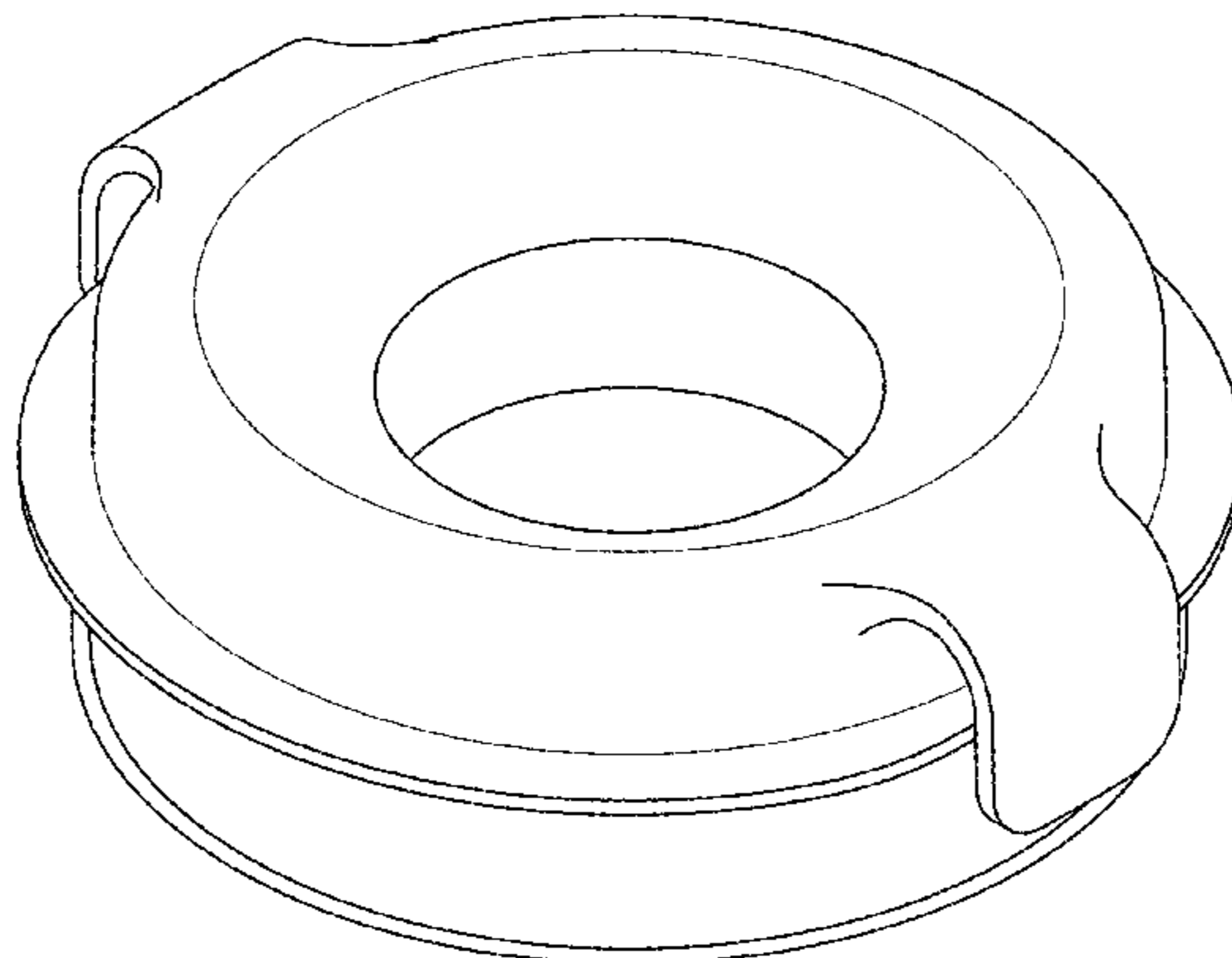
(57) **CLAIM**

The ornamental design for a lid for container, as shown and described.

DESCRIPTION

FIG. 1 is a top view of a lid for container embodying the new design;
FIG. 2 is a front view of the design shown in FIG. 1;
FIG. 3 is a right side view of the design shown in FIG. 1;
FIG. 4 is a bottom view of the design shown in FIG. 1;
FIG. 5 is a top perspective view of the design shown in FIG. 1; and,
FIG. 6 is a bottom perspective view of the design shown in FIG. 1.

1 Claim, 6 Drawing Sheets



(56)

References Cited

U.S. PATENT DOCUMENTS

2006/0261066 A1* 11/2006 Boozer A47J 36/10
220/254.7
2010/0149909 A1* 6/2010 Boozer A47J 43/0716
366/347
2011/0149677 A1* 6/2011 Davis A47J 43/042
366/205
2015/0060459 A1* 3/2015 Wu B65D 43/0212
220/361
2017/0245668 A1* 8/2017 Upston A47J 36/06

* cited by examiner

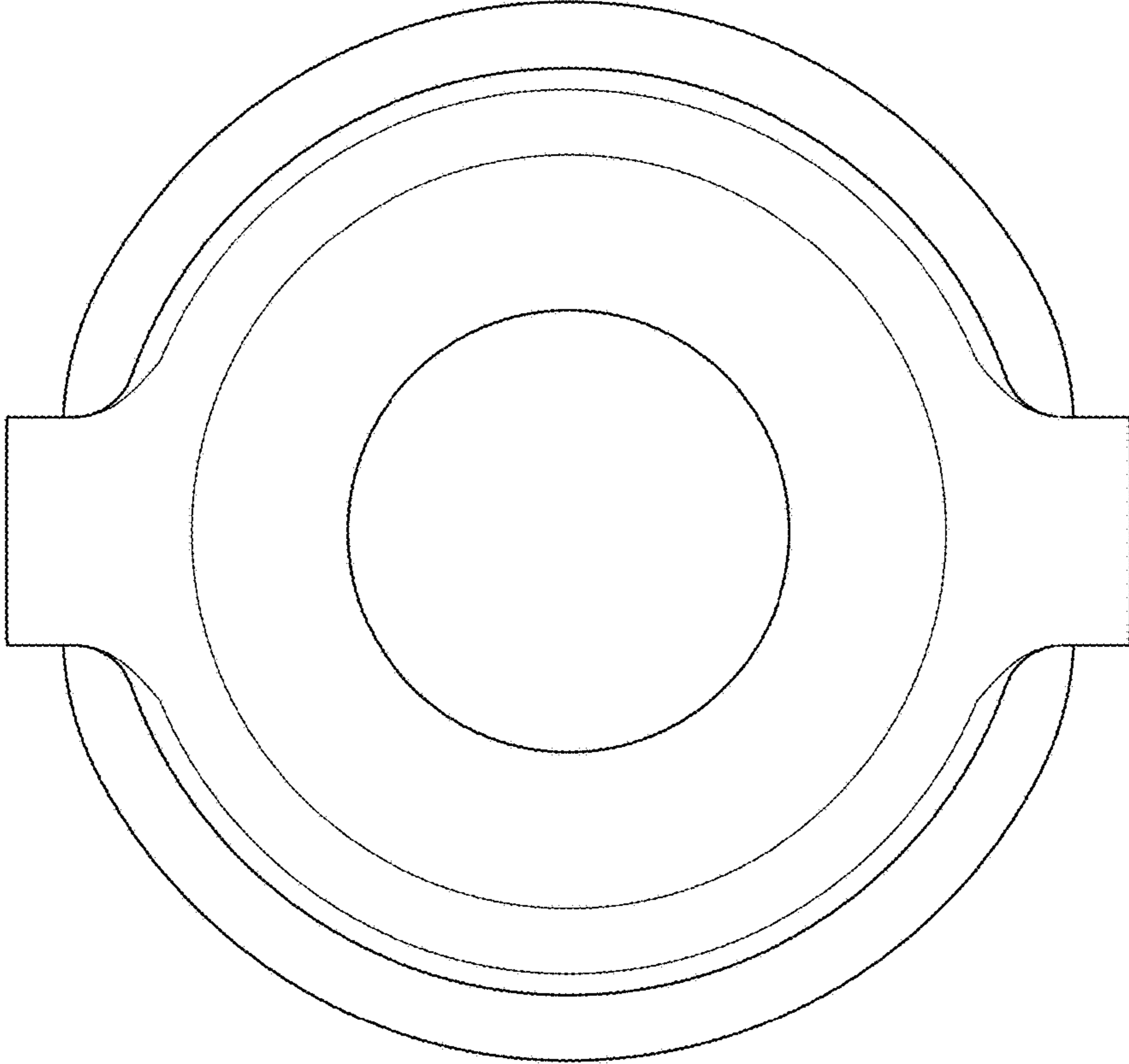


FIG. 1

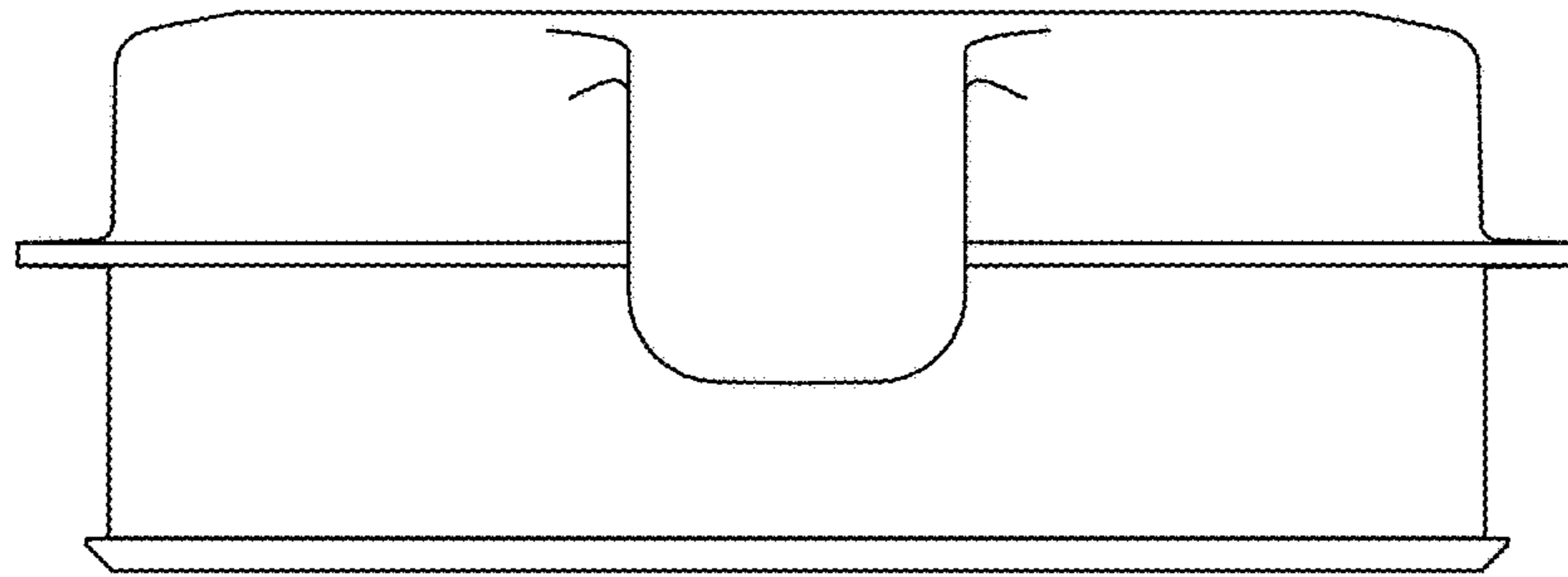


FIG. 2

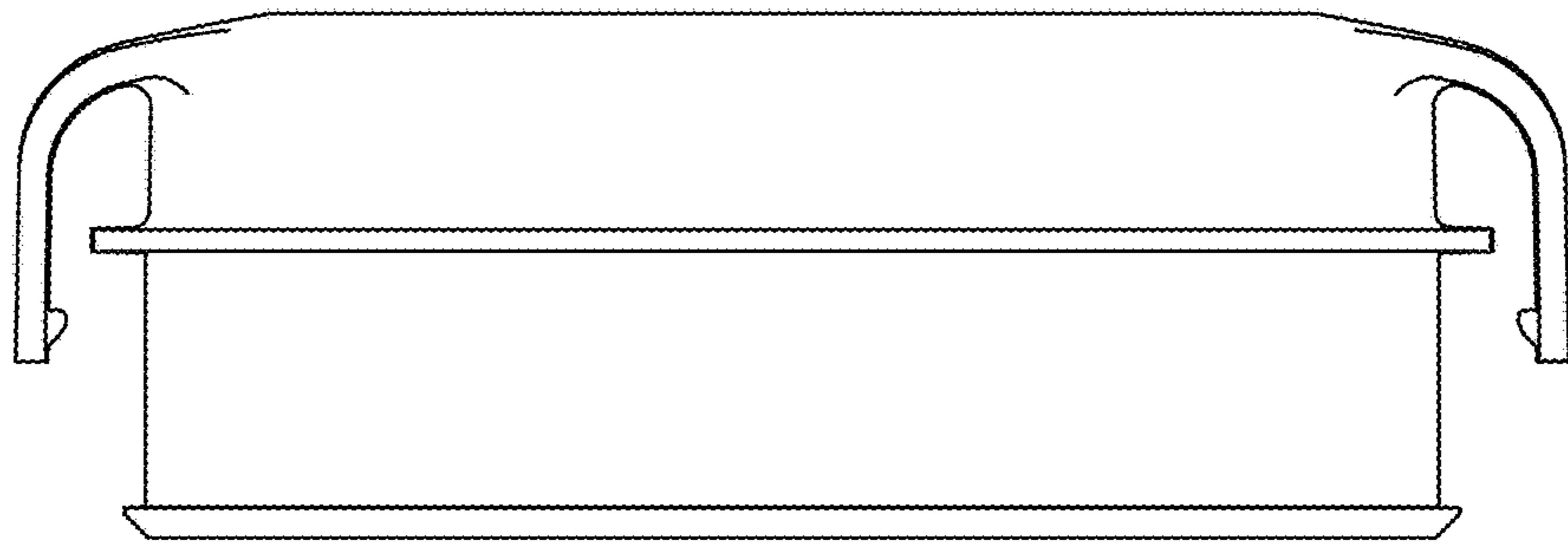


FIG. 3

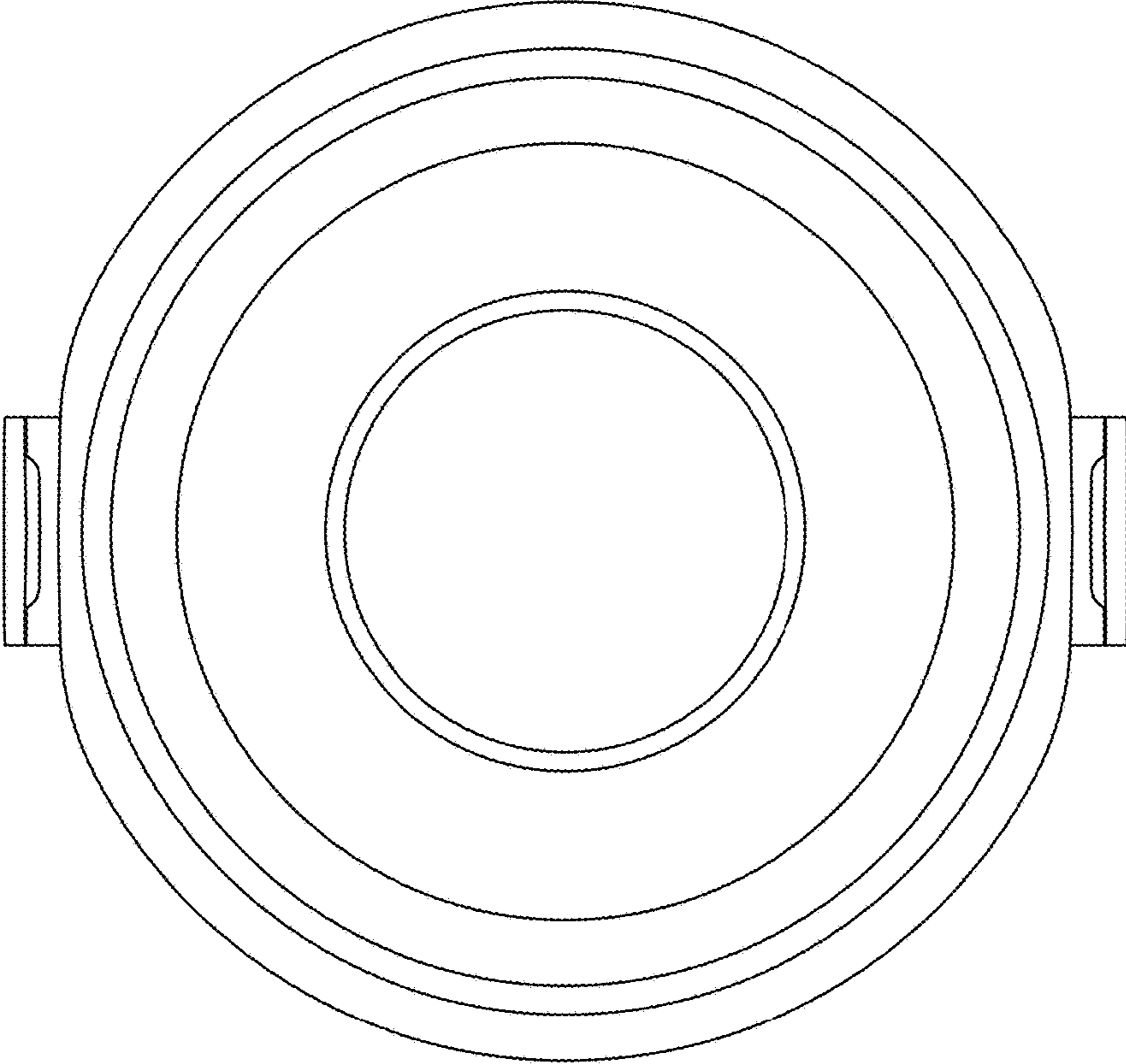


FIG. 4

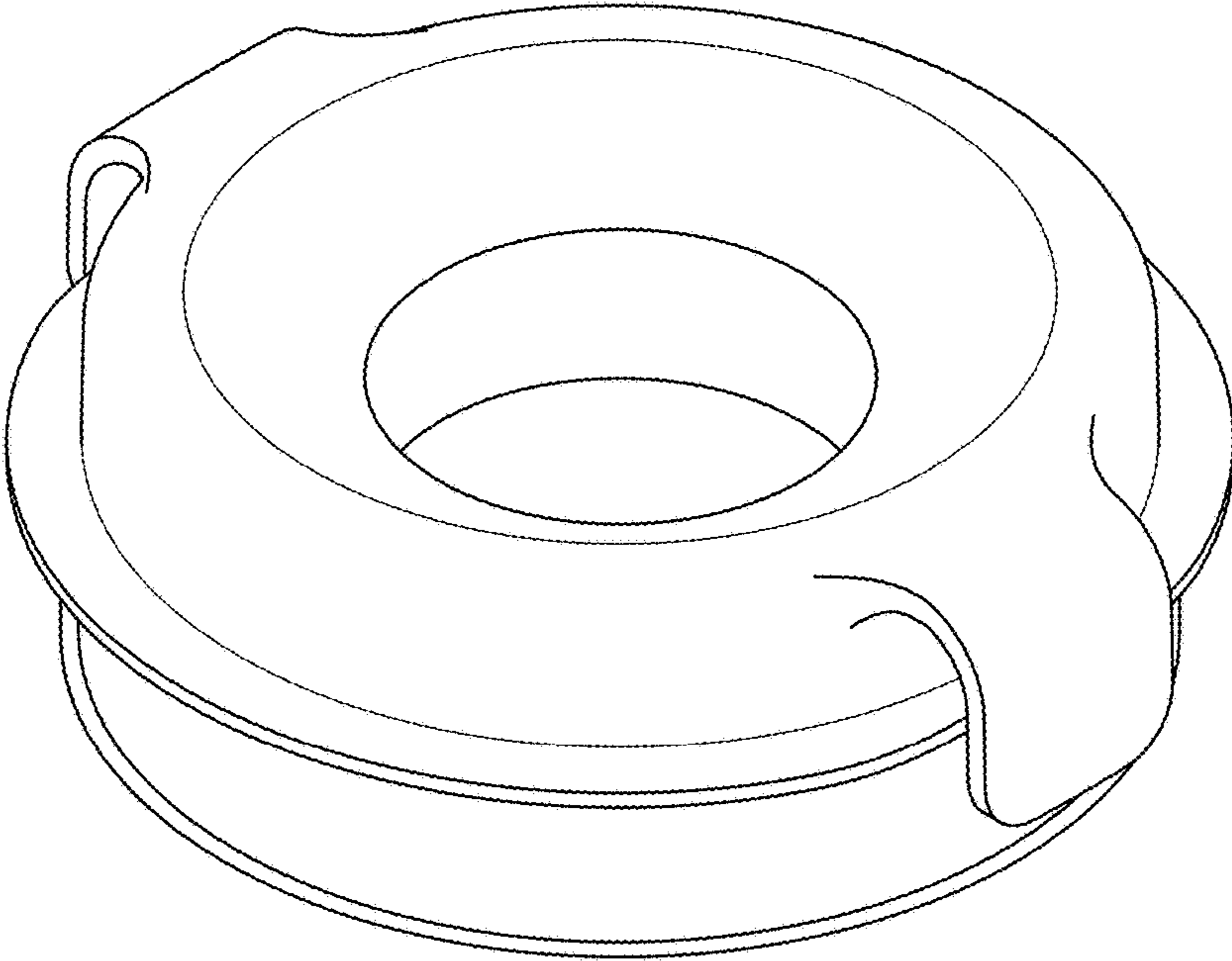


FIG. 5

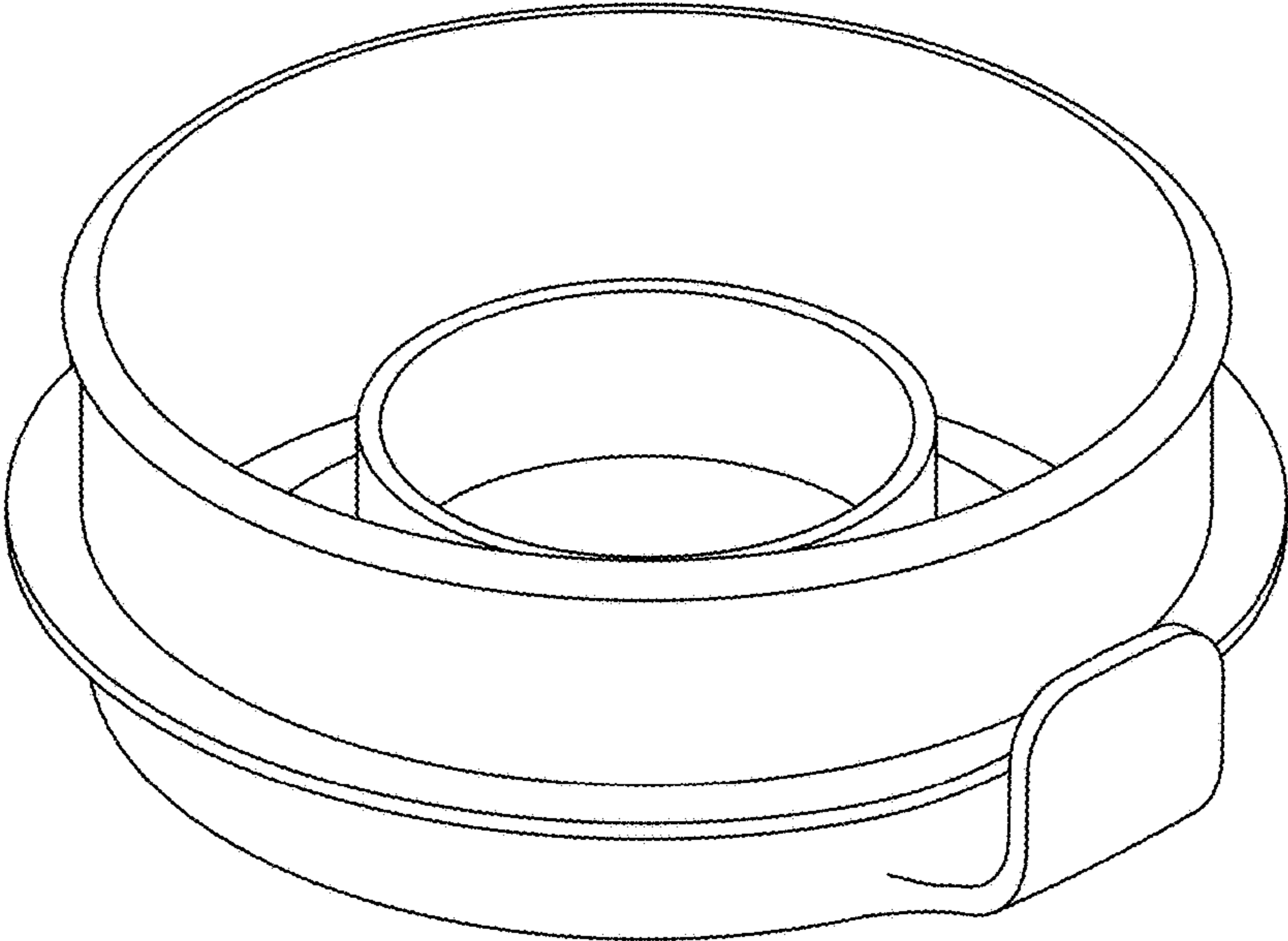


FIG. 6