



US00D859912S

(12) **United States Design Patent** (10) **Patent No.:** **US D859,912 S**
Powell (45) **Date of Patent:** **** Sep. 17, 2019**

(54) **ELECTRIC BEATER** D396,991 S * 8/1998 Lallemand D7/379
6,726,353 B1 * 4/2004 Beaudet A47J 43/0755
366/129
(71) Applicant: **SEB**, Selongey (FR) D593,360 S * 6/2009 Lee D7/379
(72) Inventor: **Dick Powell**, London (GB) D665,224 S * 8/2012 Benoit D7/376
D703,480 S * 4/2014 Lownds D7/376
D756,165 S * 5/2016 Lee D7/376
(**) Term: **15 Years** D830,764 S * 10/2018 Vu D7/379
D832,639 S * 11/2018 Ou D7/376
(21) Appl. No.: **35/505,154** 2004/0001387 A1 * 1/2004 Hallar A47J 43/044
366/201

(22) Filed: **Mar. 21, 2018**

* cited by examiner

(80) **Hague Agreement Data**

Primary Examiner — Sheryl Lane
Assistant Examiner — Nicole C Shiflet

Int. Filing Date: **Mar. 21, 2018**
Int. Reg. No.: **DM/101514**
Int. Reg. Date: **Mar. 21, 2018**
Int. Reg. Pub. Date: **Jun. 22, 2018**

(30) **Foreign Application Priority Data**

(57) **CLAIM**

The ornamental design for an electric beater, as shown and described.

Oct. 31, 2017 (FR) 2017-4980

(51) **LOC (12) Cl.** **31-00**

(52) **U.S. Cl.** **D7/379**
USPC

DESCRIPTION

(58) **Field of Classification Search**
USPC D7/376-386, 372, 412-413, 669, 679,
D7/693-694
CPC A47J 43/044; A47J 43/04; A47J 43/0711;
A47J 2043/04409; A47J 2043/04418
See application file for complete search history.

- 1. Electric beater
- 1.1 : Front
- 1.2 : Back
- 1.3 : Left
- 1.4 : Right
- 1.5 : Top
- 1.6 : Bottom
- 1.7 : Perspective

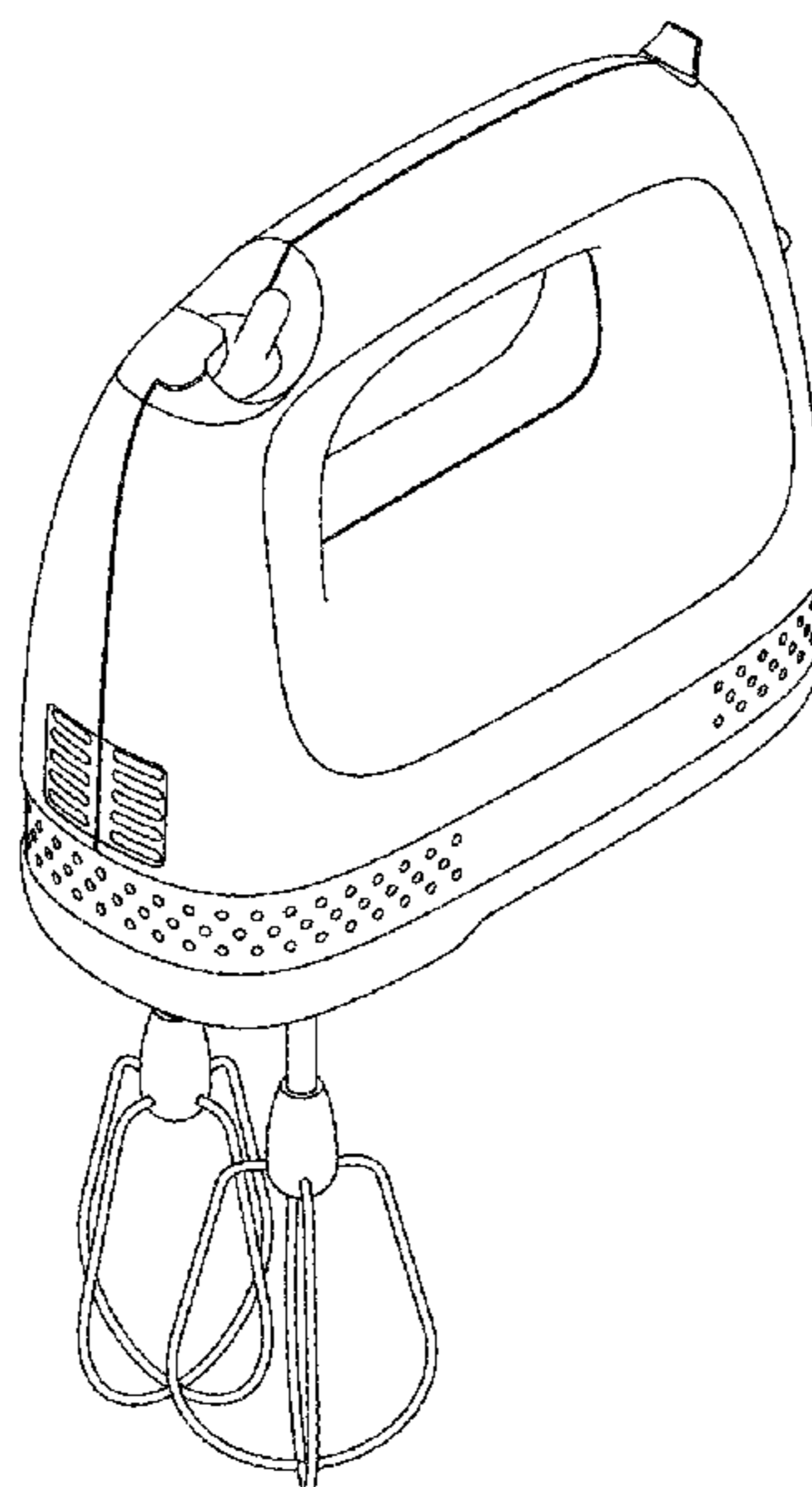
The portions of the electric beater shown by grey coloring form no part of the claimed design.

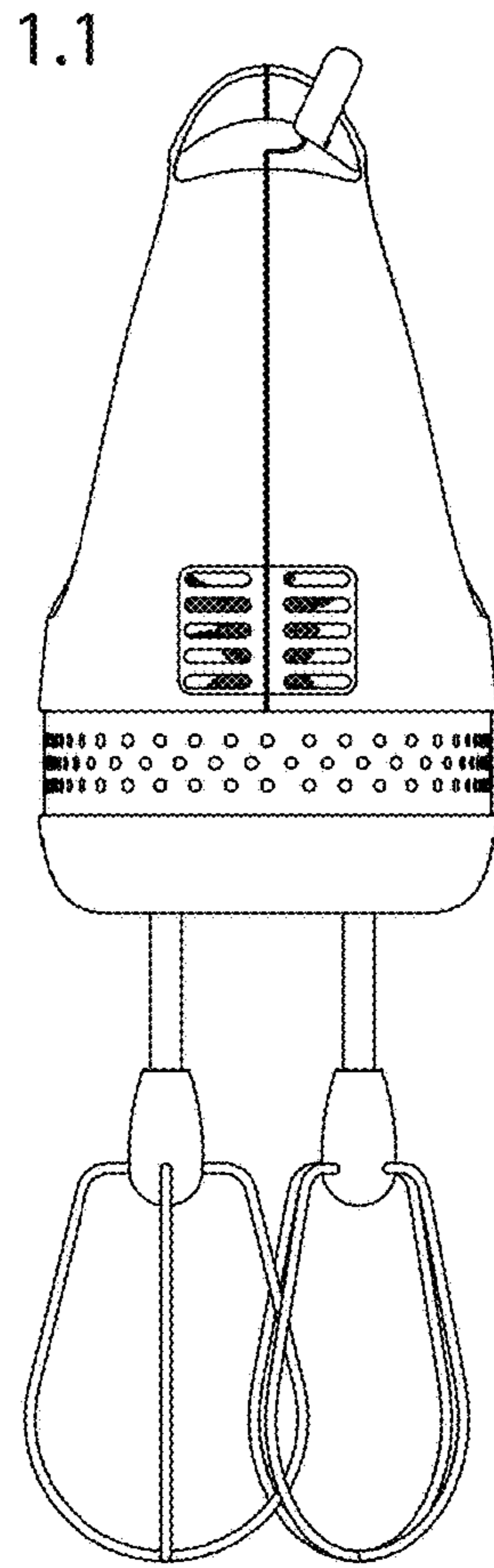
(56) **References Cited**

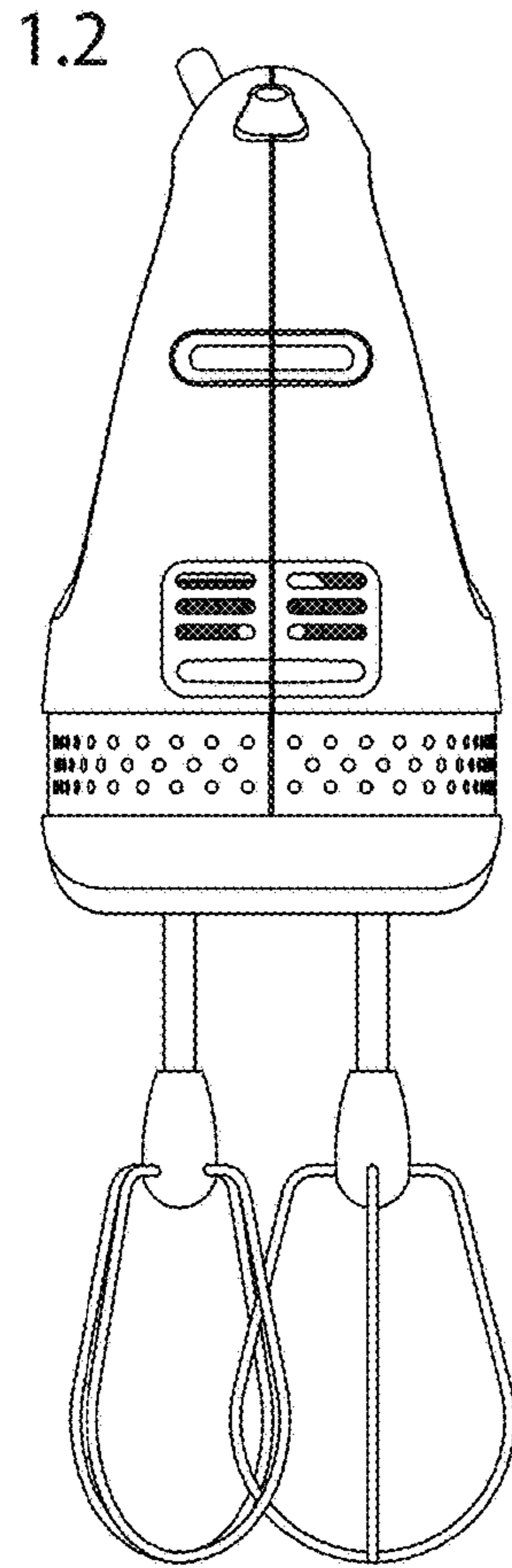
U.S. PATENT DOCUMENTS

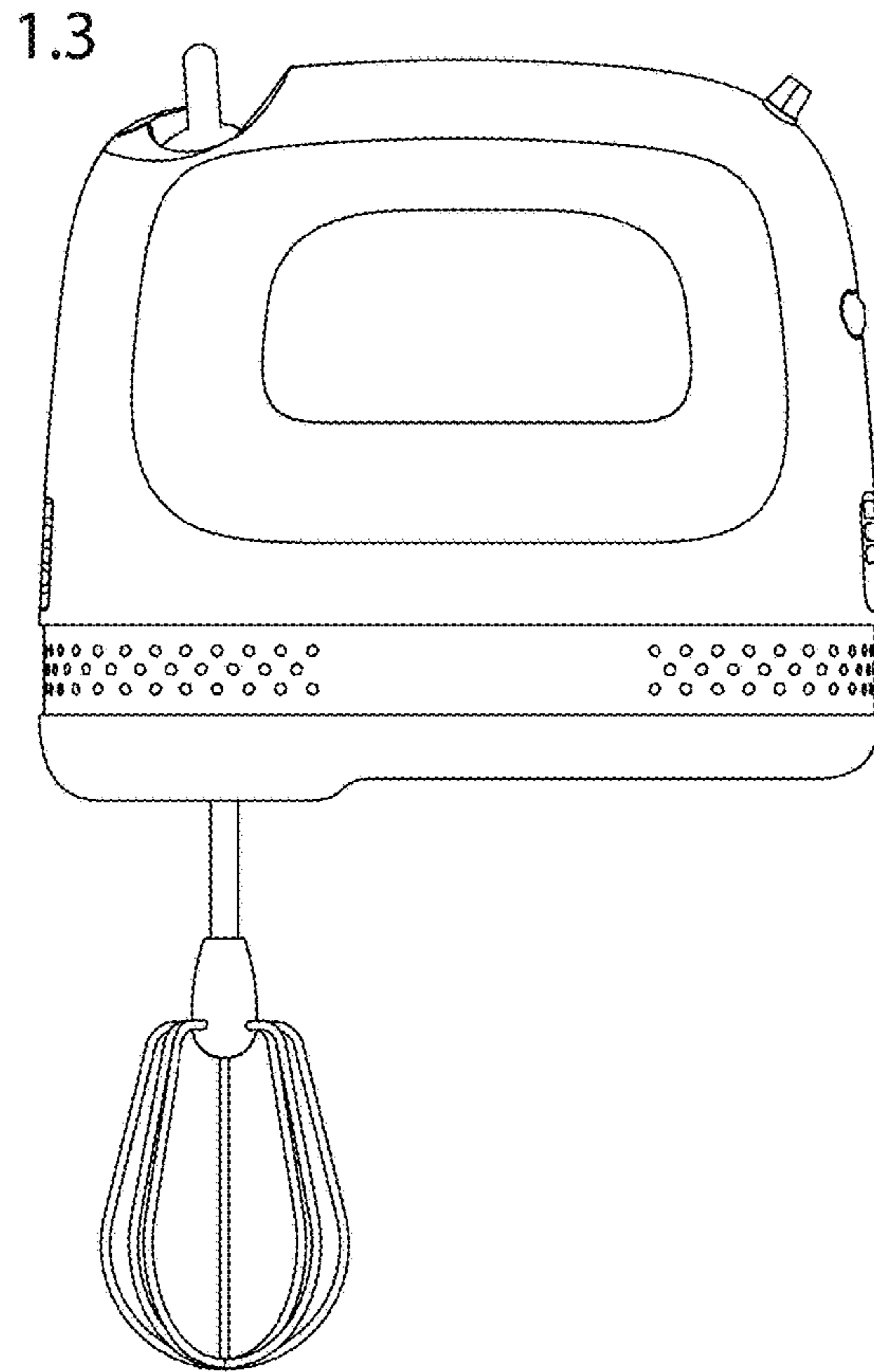
D362,783 S * 10/1995 Cruz D7/379
D367,400 S * 2/1996 Viemeister D7/379

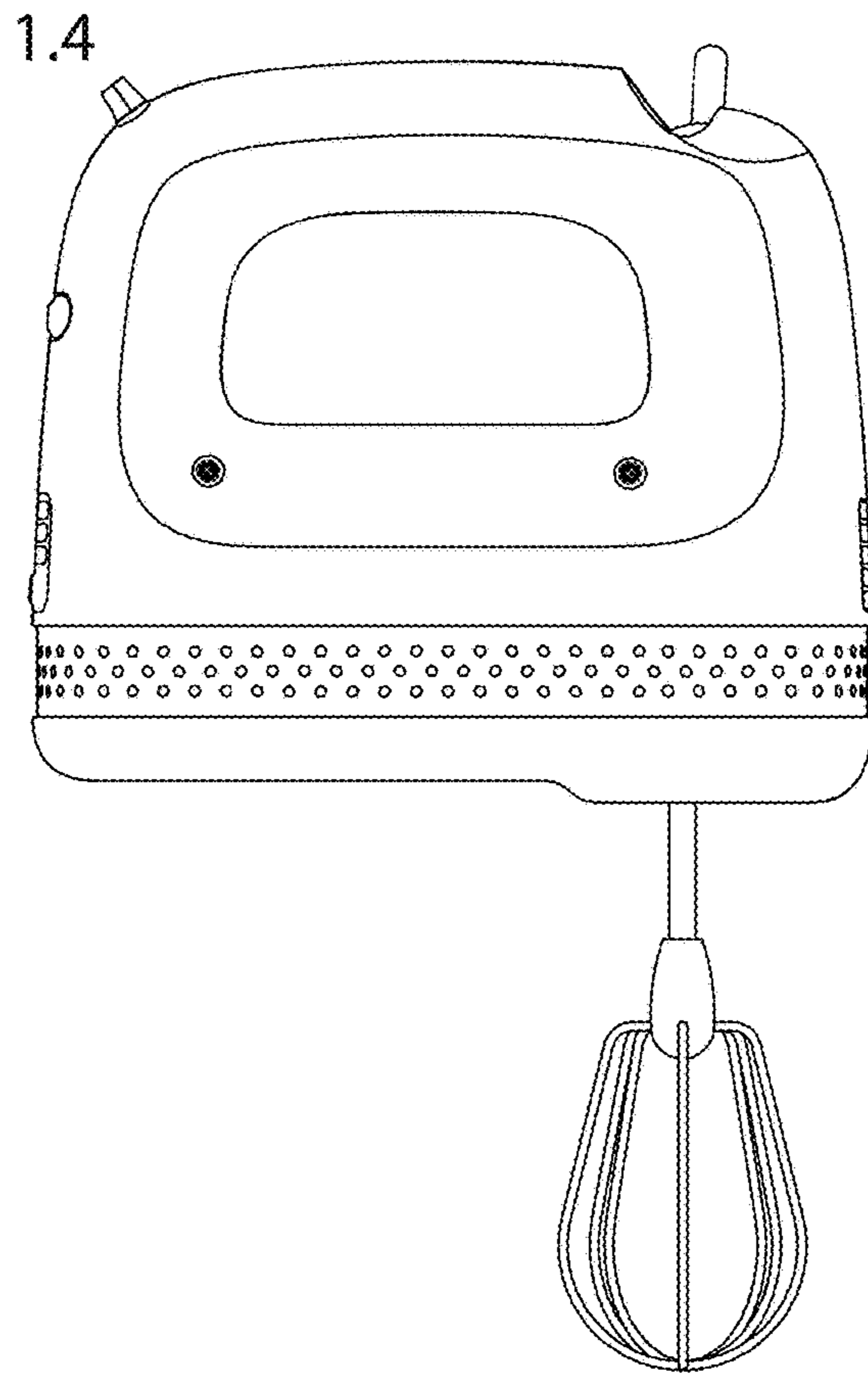
1 Claim, 7 Drawing Sheets

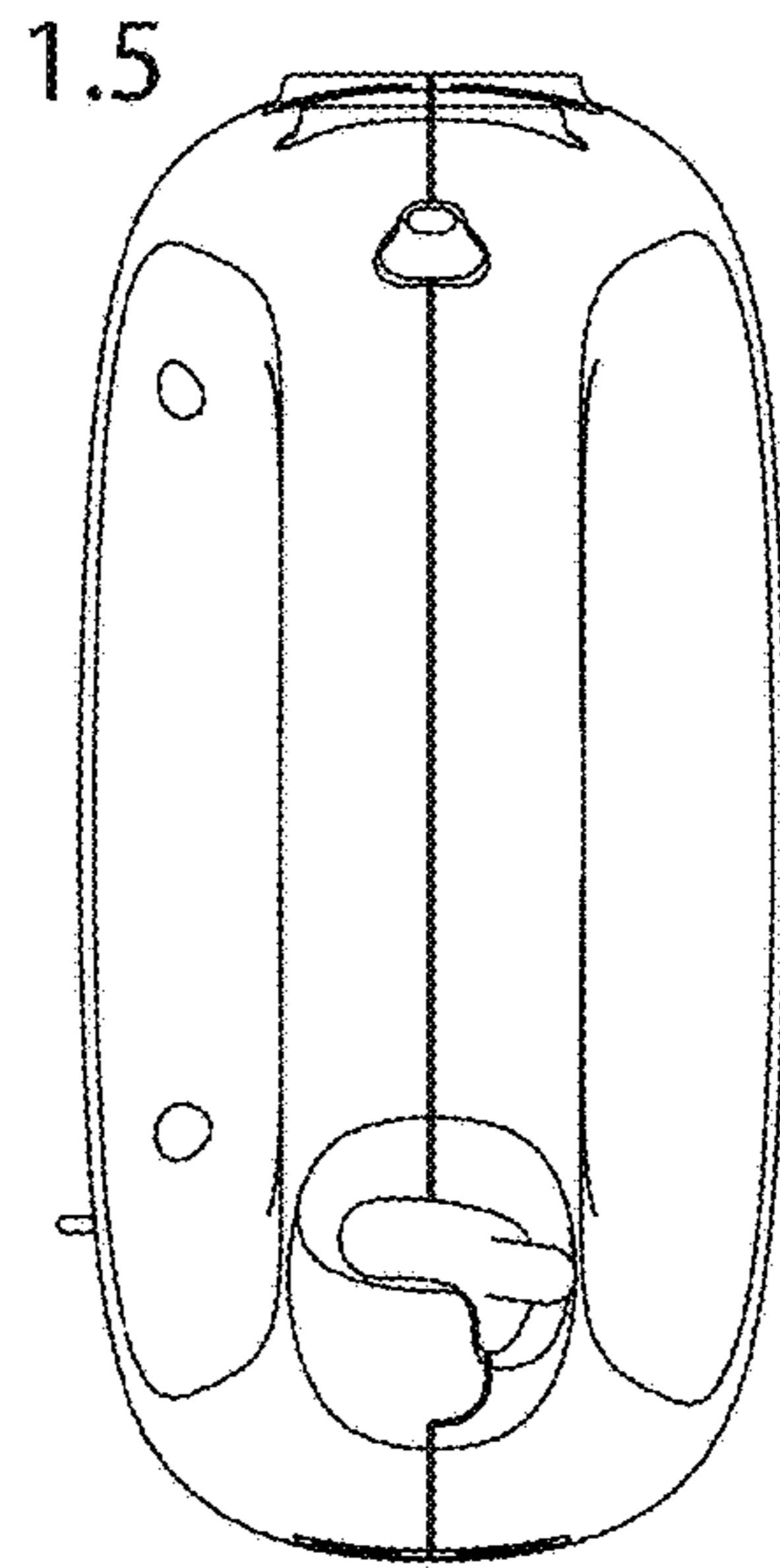


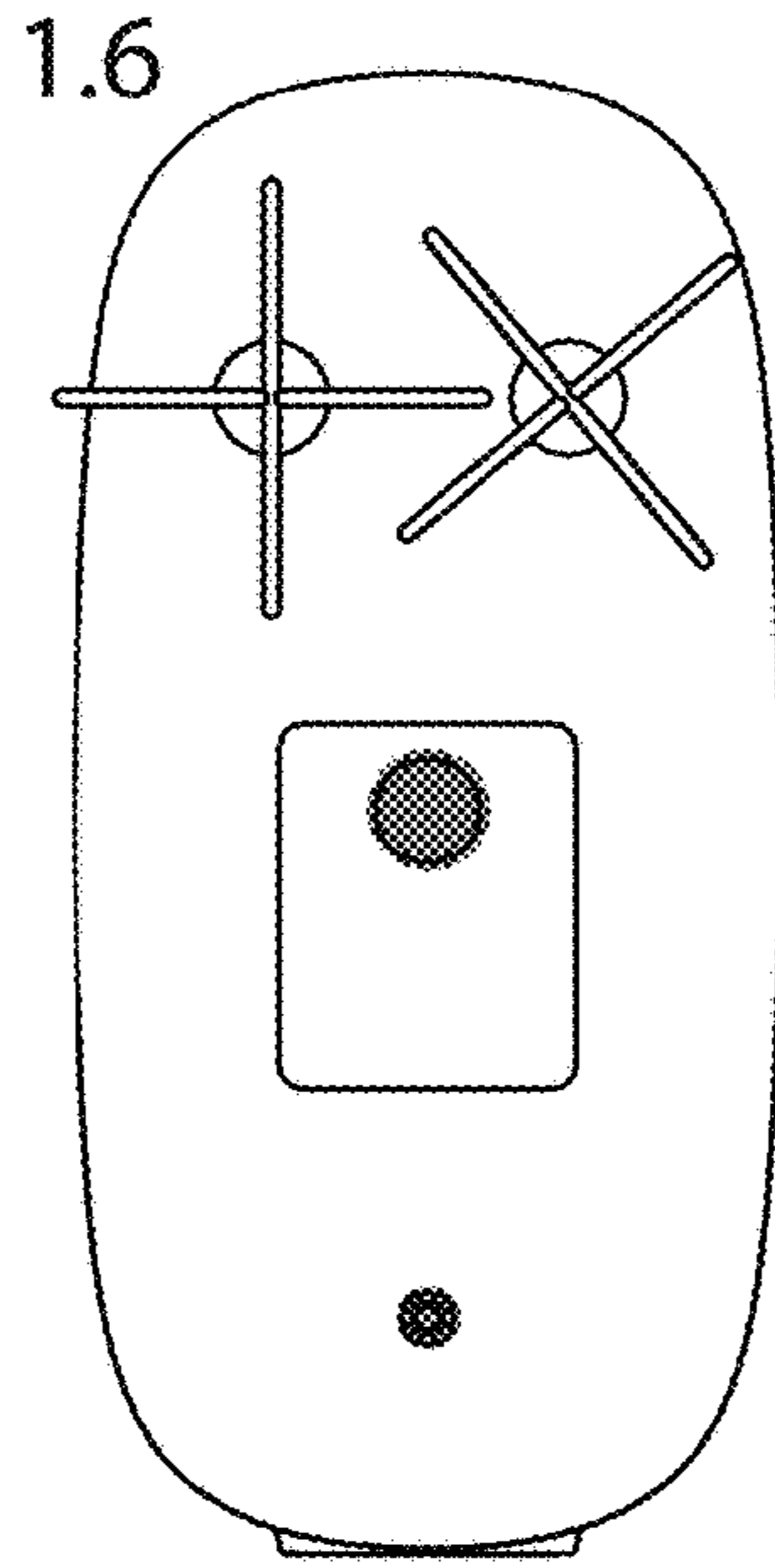












1.7

