



US00D859911S

(12) **United States Design Patent** (10) **Patent No.:** **US D859,911 S**
Steiner (45) **Date of Patent:** **** Sep. 17, 2019**

- (54) **STANDMIXER**
- (71) Applicant: **Hamilton Beach Brands, Inc.**, Glen Allen, VA (US)
- (72) Inventor: **Mark C Steiner**, Midlothian, VA (US)
- (73) Assignee: **Hamilton Beach Brands, Inc.**, Glen Allen, VA (US)
- (**) Term: **15 Years**
- (21) Appl. No.: **29/655,293**
- (22) Filed: **Jul. 2, 2018**
- (51) **LOC (12) Cl.** **31-00**
- (52) **U.S. Cl.**
USPC **D7/379; D7/376; D7/384**
- (58) **Field of Classification Search**
USPC D7/372, 376-386, 412-413, 533, 602, D7/629, 665-666, 669, 679, 693-694
CPC A21C 1/02; A21C 1/04; A23N 1/00; A23N 1/02; A47J 43/04; A47J 43/25; A47J 43/27; A47J 43/042; A47J 43/044; A47J 43/046; A47J 43/075; A47J 43/0722; A47J 43/0727; B01F 3/00; B01F 3/0807; B01F 3/0853; B01F 13/0059; B01F 13/0064; B02C 1/08; B02C 2/04; B02C 4/42; B02C 4/142; B02C 4/143; B02C 4/423; B02C 13/1835; B28C 5/10; B28C 5/12; B28C 5/14; B28C 5/16
See application file for complete search history.

- 6,367,963 B2 4/2002 Sanpei et al.
- 6,410,068 B2 6/2002 Goldston
- 6,470,793 B1 10/2002 Vogt
- 6,668,704 B1 12/2003 Lassota
- D499,604 S * 12/2004 Hooper D7/376
- D502,841 S * 3/2005 Santer D7/309
- 7,014,354 B2 3/2006 Donthnier et al.
- D530,146 S * 10/2006 Ball D7/379
- 7,175,338 B2 2/2007 Hooper et al.
- D584,916 S * 1/2009 Christou D7/376
- 7,950,843 B2 5/2011 Blackburn et al.
- 8,251,567 B2 8/2012 Brunswick et al.
- D677,520 S * 3/2013 Choi D7/376
- 8,438,968 B2 5/2013 Warner
- D728,304 S * 5/2015 Weaden D7/376
- D748,428 S * 2/2016 Yuan D7/376
- D758,125 S * 6/2016 Jeong D7/376
- D818,763 S * 5/2018 Bock D7/379

(Continued)

FOREIGN PATENT DOCUMENTS

- WO WO9319606 8/1993
- Primary Examiner* — Ricky Pham
- (74) *Attorney, Agent, or Firm* — Alexander D. Raring

(57) **CLAIM**

The ornamental design for a standmixer, as shown and described.

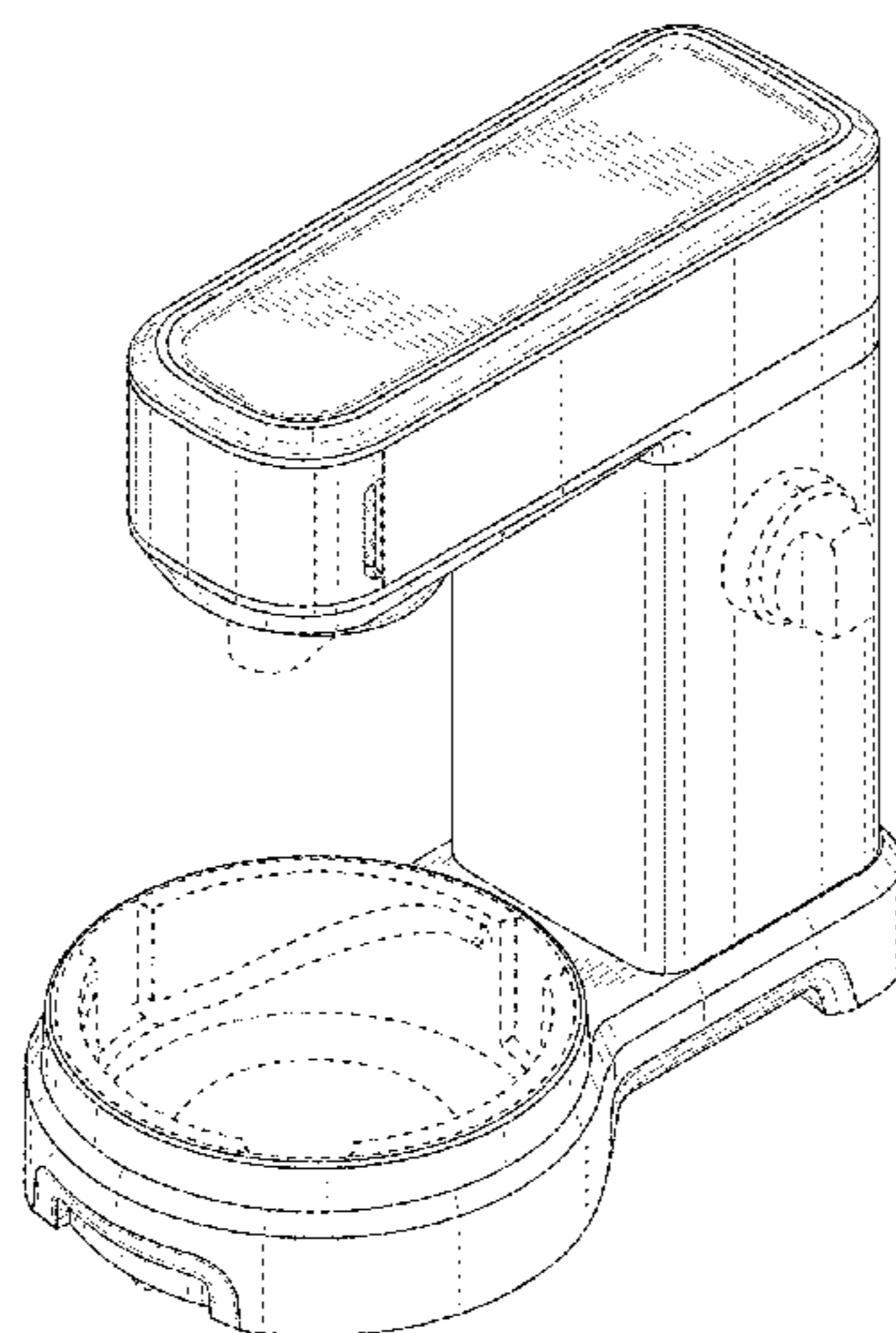
DESCRIPTION

FIG. 1 is a perspective view as seen from the top, right and front sides of a standmixer showing the new design;
 FIG. 2 is a front view thereof;
 FIG. 3 is a rear view thereof;
 FIG. 4 is a left side view thereof;
 FIG. 5 is a right side view thereof;
 FIG. 6 is a top view thereof; and,
 FIG. 7 is a bottom view thereof.
 The broken lines in the drawing depict portions of the standmixer that form no part of the claimed design.

1 Claim, 7 Drawing Sheets

(56) **References Cited**
U.S. PATENT DOCUMENTS

- 1,761,237 A 6/1930 Schiff
- 2,137,547 A 11/1938 Snow
- D162,875 S * 4/1951 Polivka et al. D7/379
- D189,936 S * 3/1961 Grange D7/379
- D286,258 S * 10/1986 Grange D7/379
- D448,966 S 10/2001 Hsieh



(56)

References Cited

U.S. PATENT DOCUMENTS

2008/0291777 A1 11/2008 Schnipke et al.
2009/0067279 A1* 3/2009 Mulle A21C 1/02
366/142

* cited by examiner

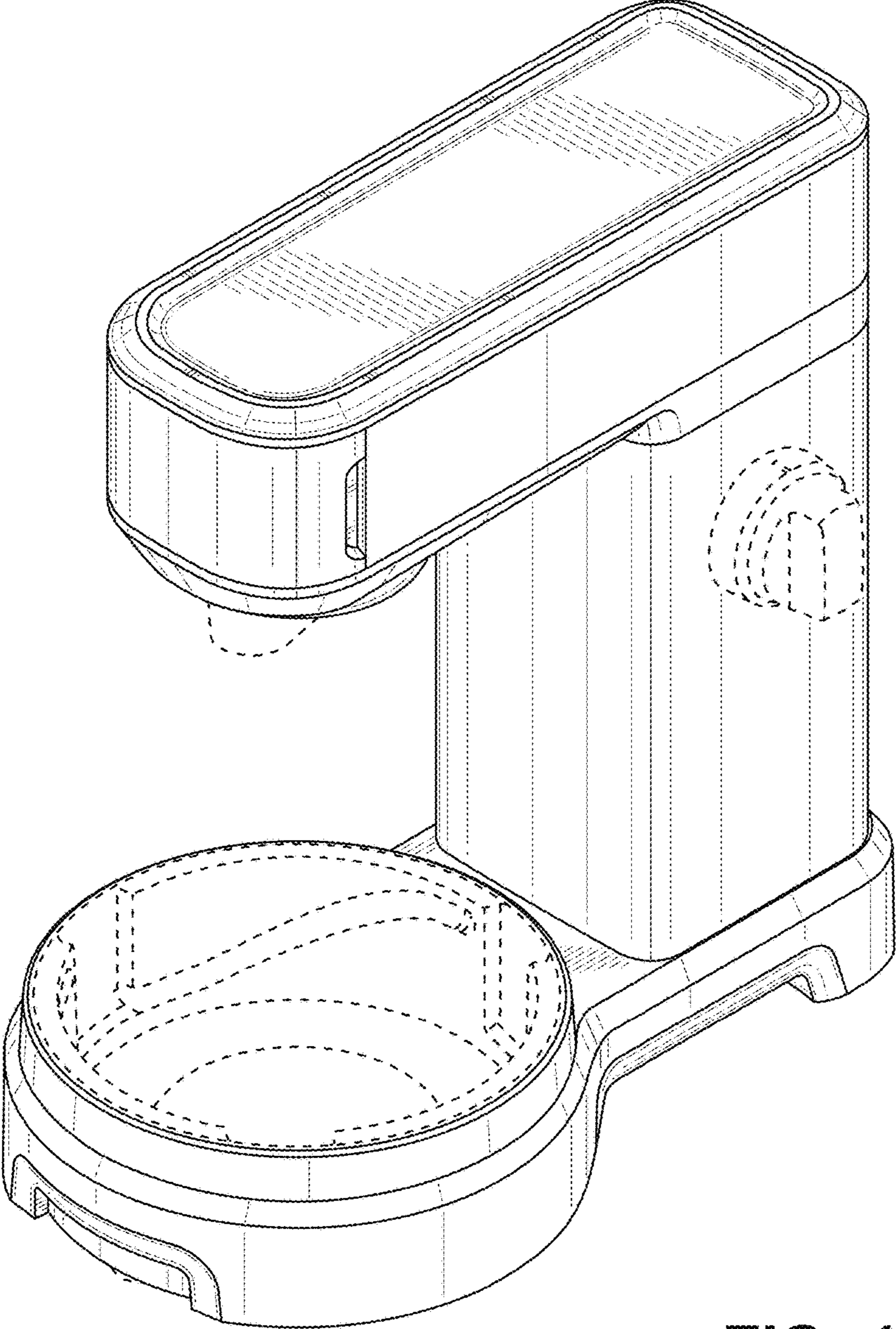


FIG. 1

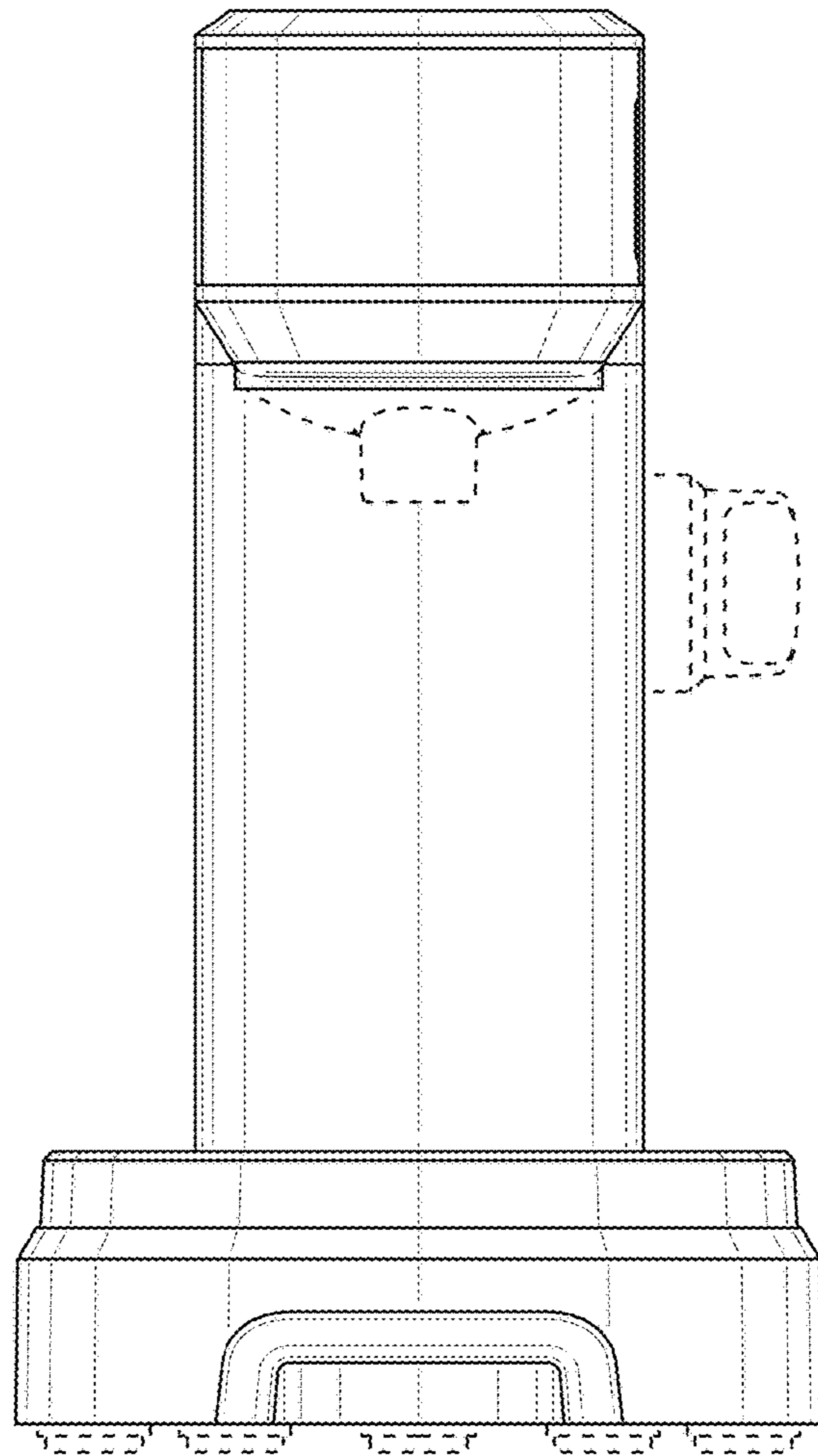


FIG. 2

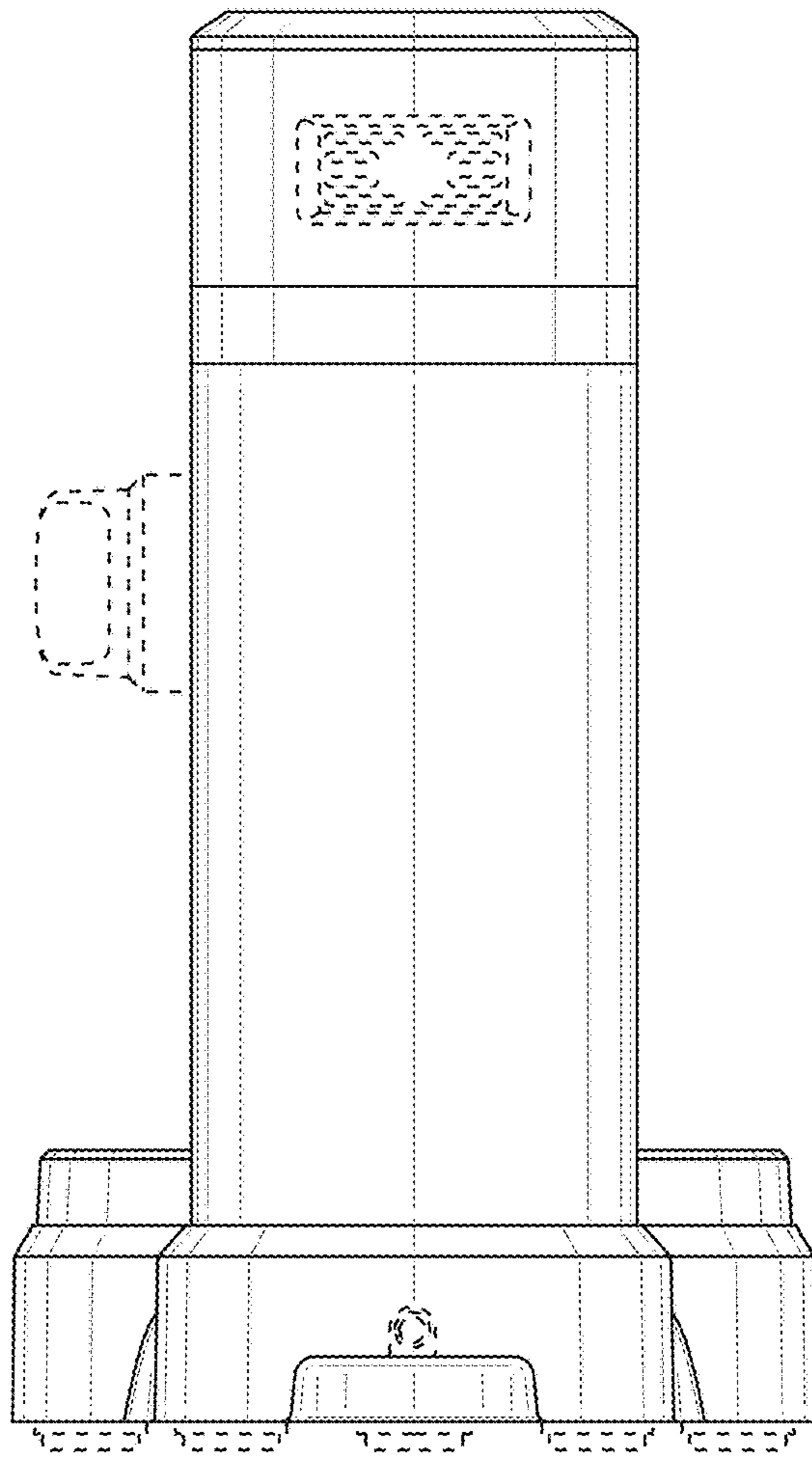


FIG. 3

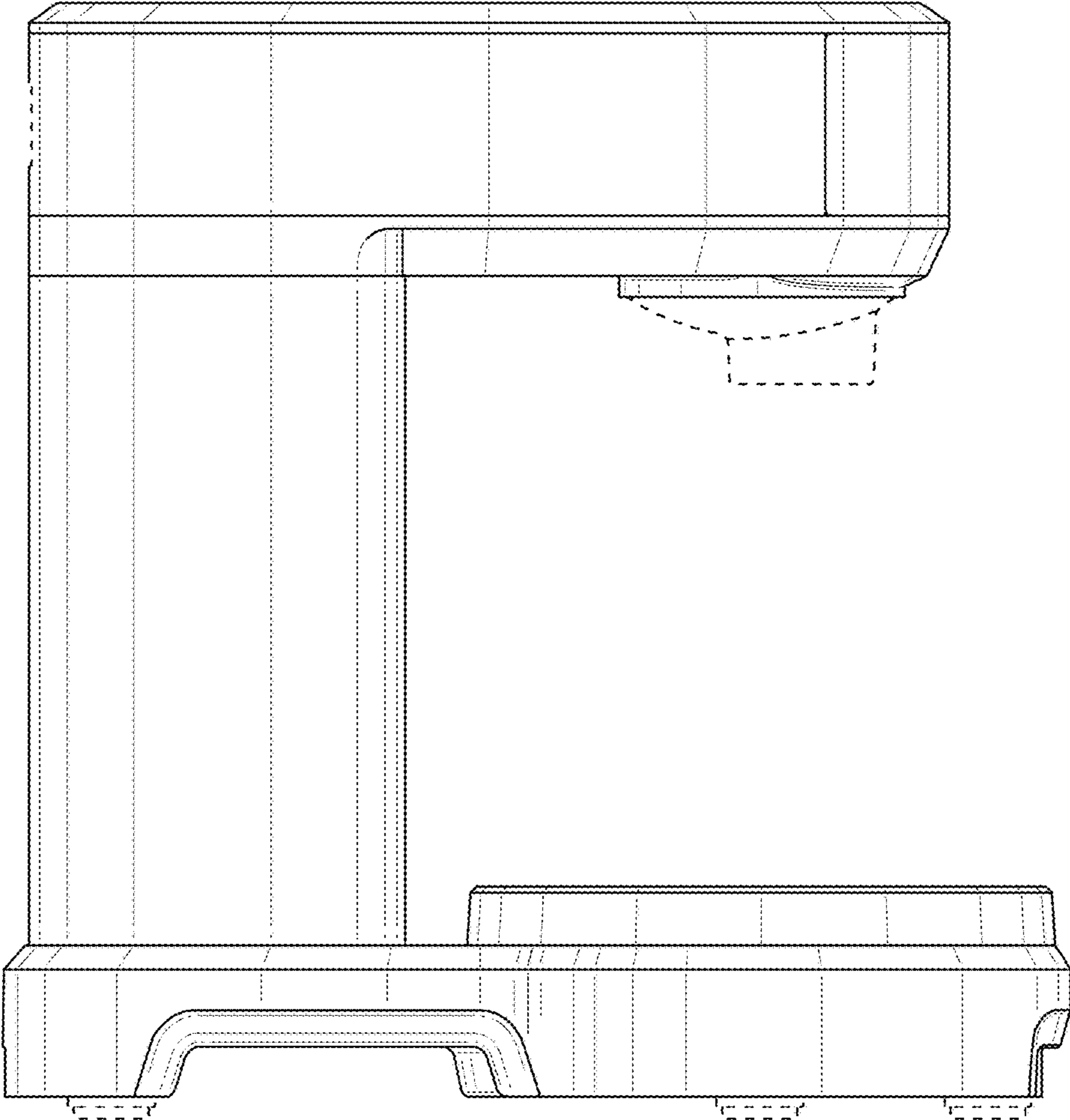


FIG. 4

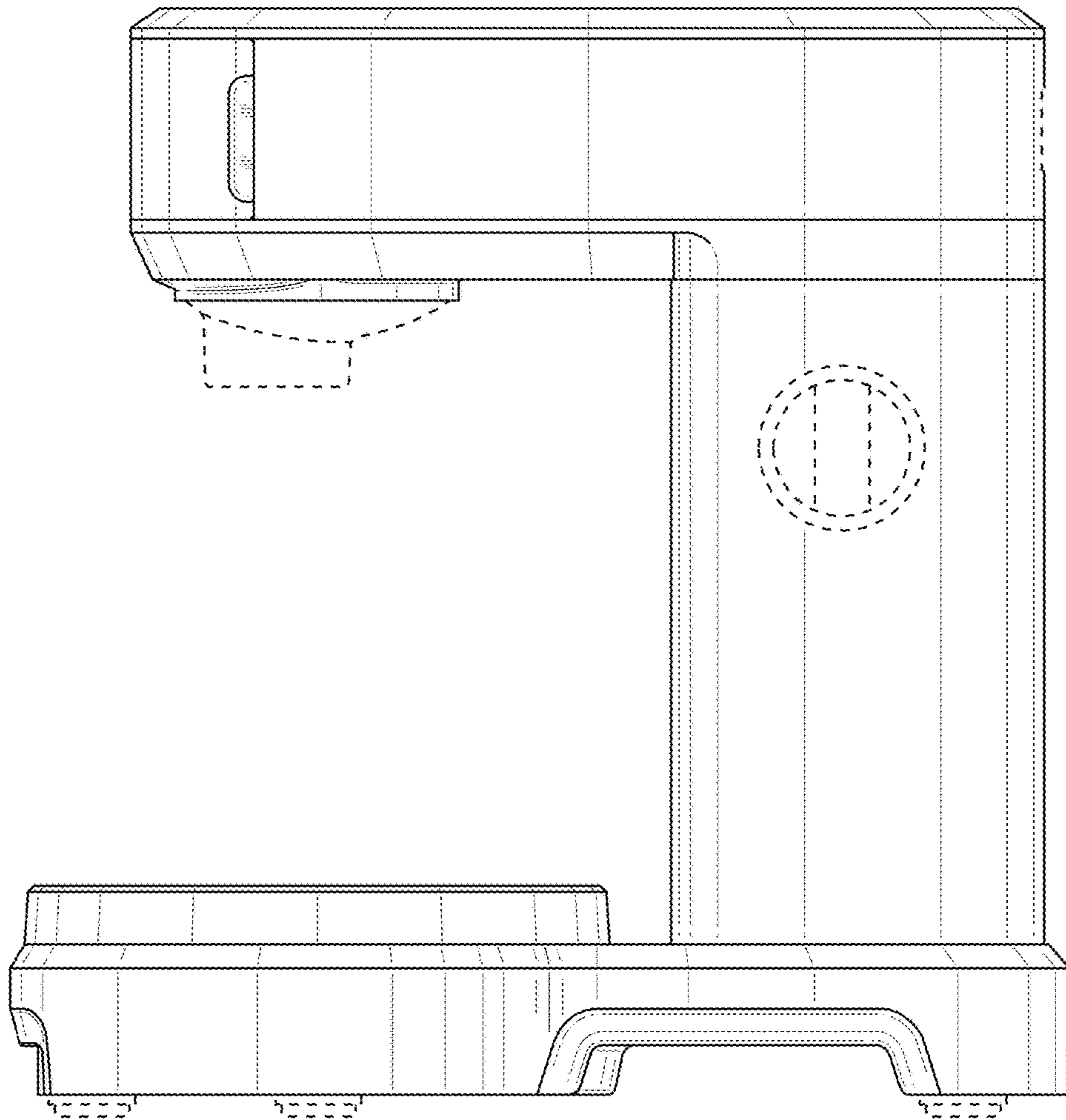


FIG. 5

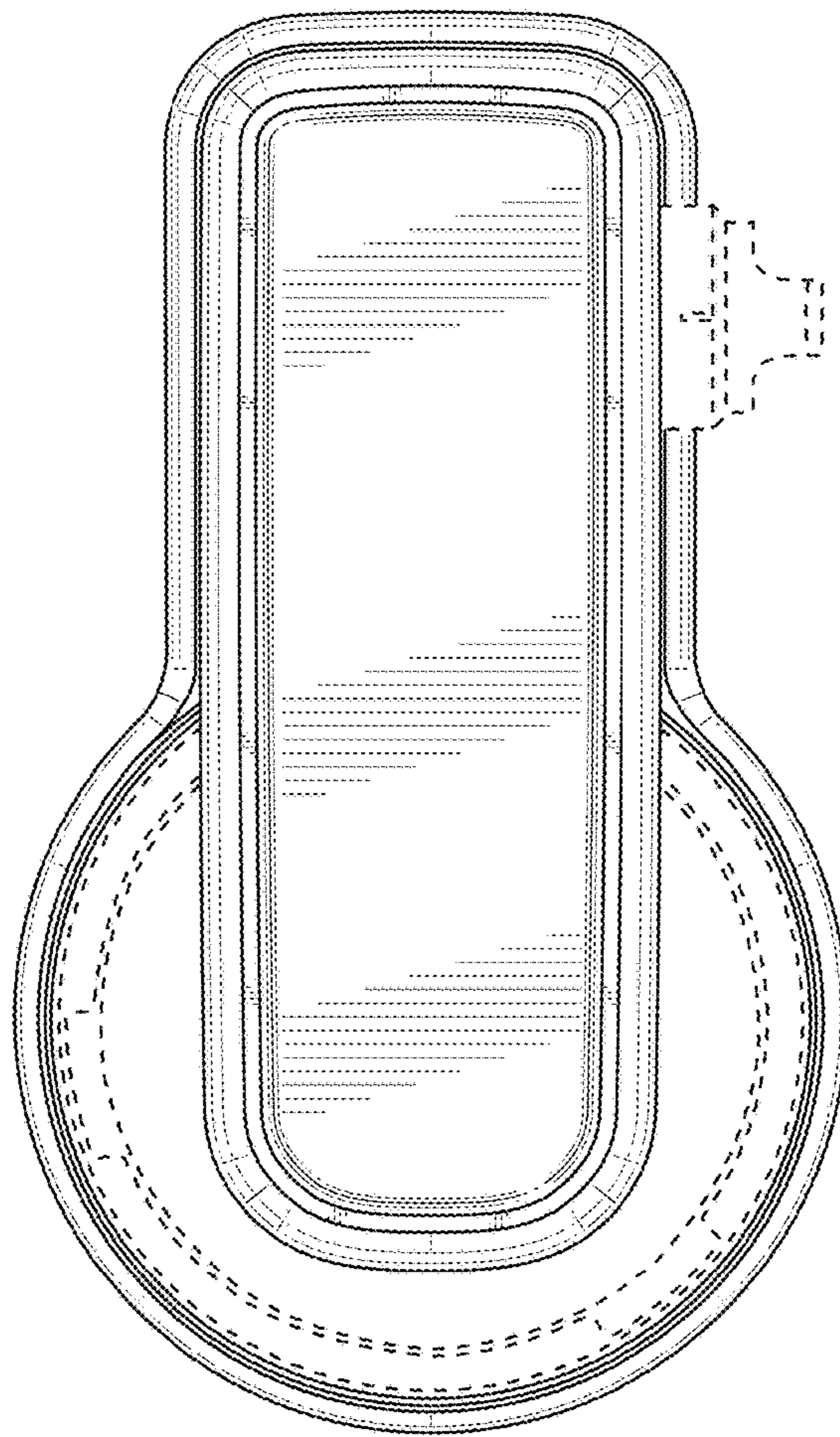


FIG. 6

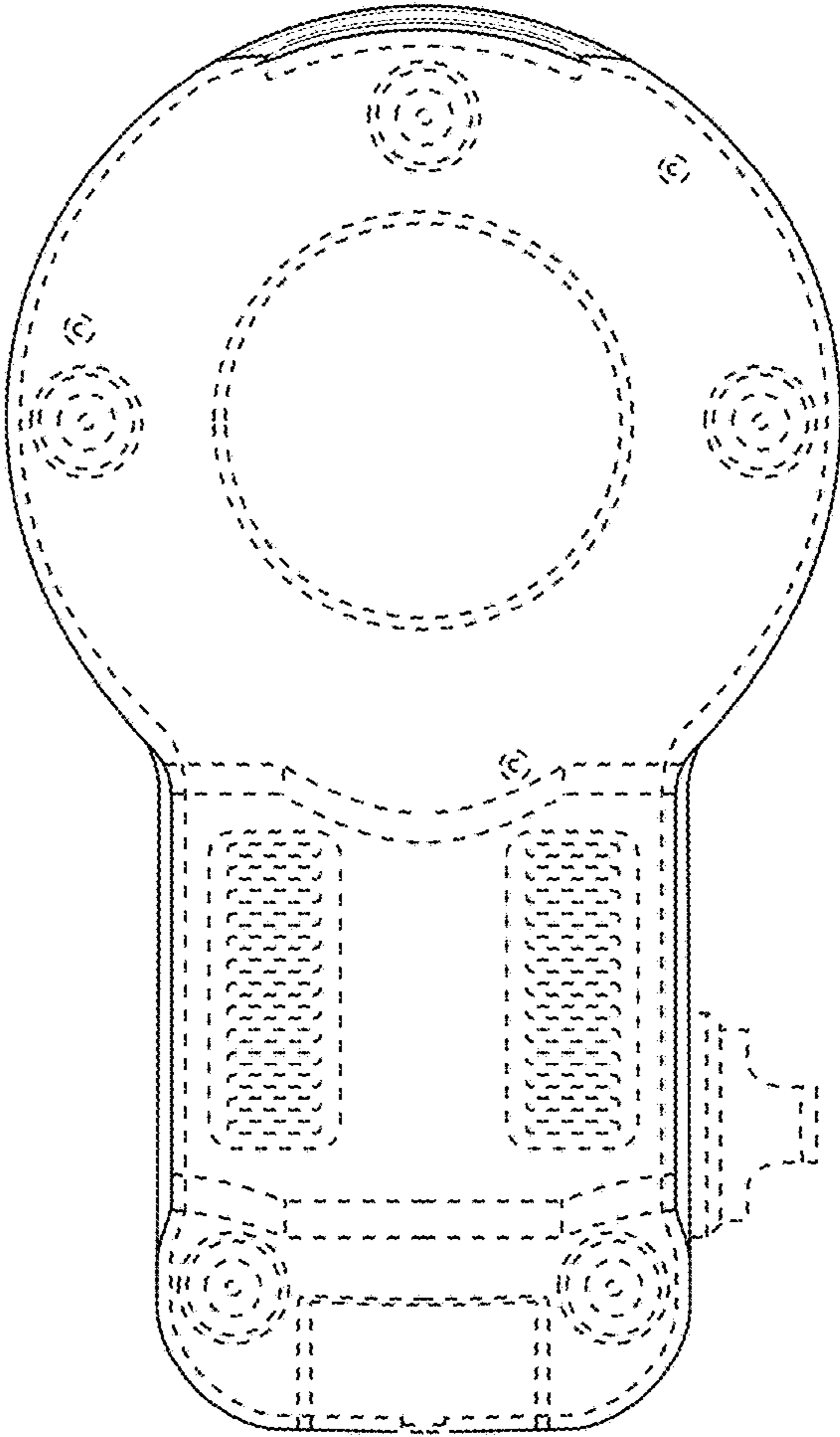


FIG. 7