



US00D859910S

(12) **United States Design Patent** (10) **Patent No.:** **US D859,910 S**  
**Allen** (45) **Date of Patent:** **\*\* \*Sep. 17, 2019**

(54) **CAKE MOLD**  
(71) Applicant: **Lawrence L. Allen**, Anaconda, MT (US)  
(72) Inventor: **Lawrence L. Allen**, Anaconda, MT (US)  
(\* ) Notice: This patent is subject to a terminal disclaimer.  
(\*\*) Term: **15 Years**  
(21) Appl. No.: **29/505,722**  
(22) Filed: **Jan. 20, 2016**  
(51) **LOC (12) Cl.** ..... **07-02**  
(52) **U.S. Cl.**  
USPC ..... **D7/360; D7/354; D7/357**  
(58) **Field of Classification Search**  
USPC ..... D7/323, 354-361, 507, 541, 543, 545, D7/549, 550.1, 553.1-553.8, 554.1-554.4, D7/555, 584, 586, 629; D9/430-433, D9/455-456, 737, 756-762; D30/130  
CPC .... A21B 3/00; A21B 3/13; A21B 3/15; A21B 3/132; A21B 3/134; A21B 5/00; A21B 5/02; A47J 36/022; A47J 36/025; A47J 36/027; A47J 37/00; A47J 37/04; B65D 1/22; B65D 1/24; B65D 1/34; B65D 1/36; B65D 5/48022; B65D 25/06; B65D 81/075; B65D 81/343; B65D 83/0445; B65D 85/36  
See application file for complete search history.

5,011,018 A \* 4/1991 Keffeler ..... B65D 83/0445  
206/532  
5,183,159 A \* 2/1993 Hojnacki ..... B65D 81/075  
206/583  
5,191,830 A \* 3/1993 Jacobson ..... A21B 3/132  
249/120  
D472,774 S \* 4/2003 Pelstring ..... D7/629  
6,851,352 B2 2/2005 Morgan  
6,973,872 B2 12/2005 Morgan  
7,150,221 B2 12/2006 Morgan  
D536,920 S 2/2007 Morgan  
D561,408 S \* 2/2008 Marsh ..... D30/130  
D615,822 S \* 5/2010 Klein ..... D7/392.1  
D700,016 S \* 2/2014 Filbrun ..... D7/553.1  
D712,195 S \* 9/2014 Kidwell ..... D7/354  
D713,196 S \* 9/2014 Sarnoff ..... D7/354  
D779,879 S \* 2/2017 Walker ..... D19/77  
2008/0099485 A1\* 5/2008 Holbrook ..... B65D 25/06  
220/507

\* cited by examiner

*Primary Examiner* — Ricky Pham  
(74) *Attorney, Agent, or Firm* — Paul R. Martin

(57) **CLAIM**

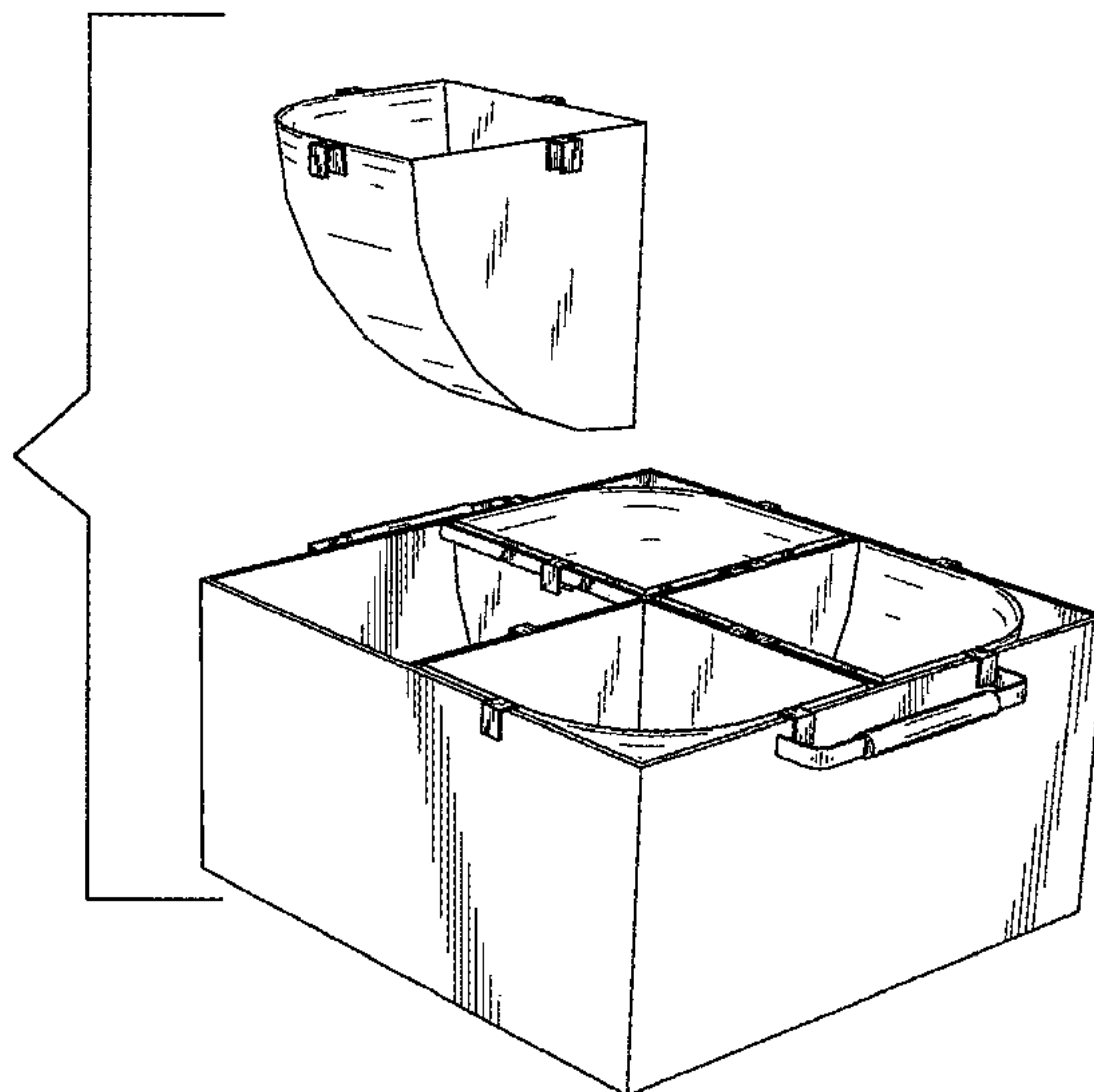
The ornamental design for a cake mold, as shown and described.

**DESCRIPTION**

FIG. 1 is a perspective view of the cake mold of my new design showing parts separated.  
FIG. 2 is another perspective view thereof.  
FIG. 3 is a top plan view thereof.  
FIG. 4 is a bottom plan view thereof.  
FIG. 5 is an elevational view of one side thereof. The view from the opposite side is a mirror image thereof; and,  
FIG. 6 is an elevational view of the front thereof. The view from the back is a mirror image thereof.

**1 Claim, 5 Drawing Sheets**

(56) **References Cited**  
U.S. PATENT DOCUMENTS  
1,487,906 A \* 3/1924 White ..... A21B 3/13  
426/280  
4,202,465 A \* 5/1980 McLaren ..... B65D 5/48022  
220/23.83



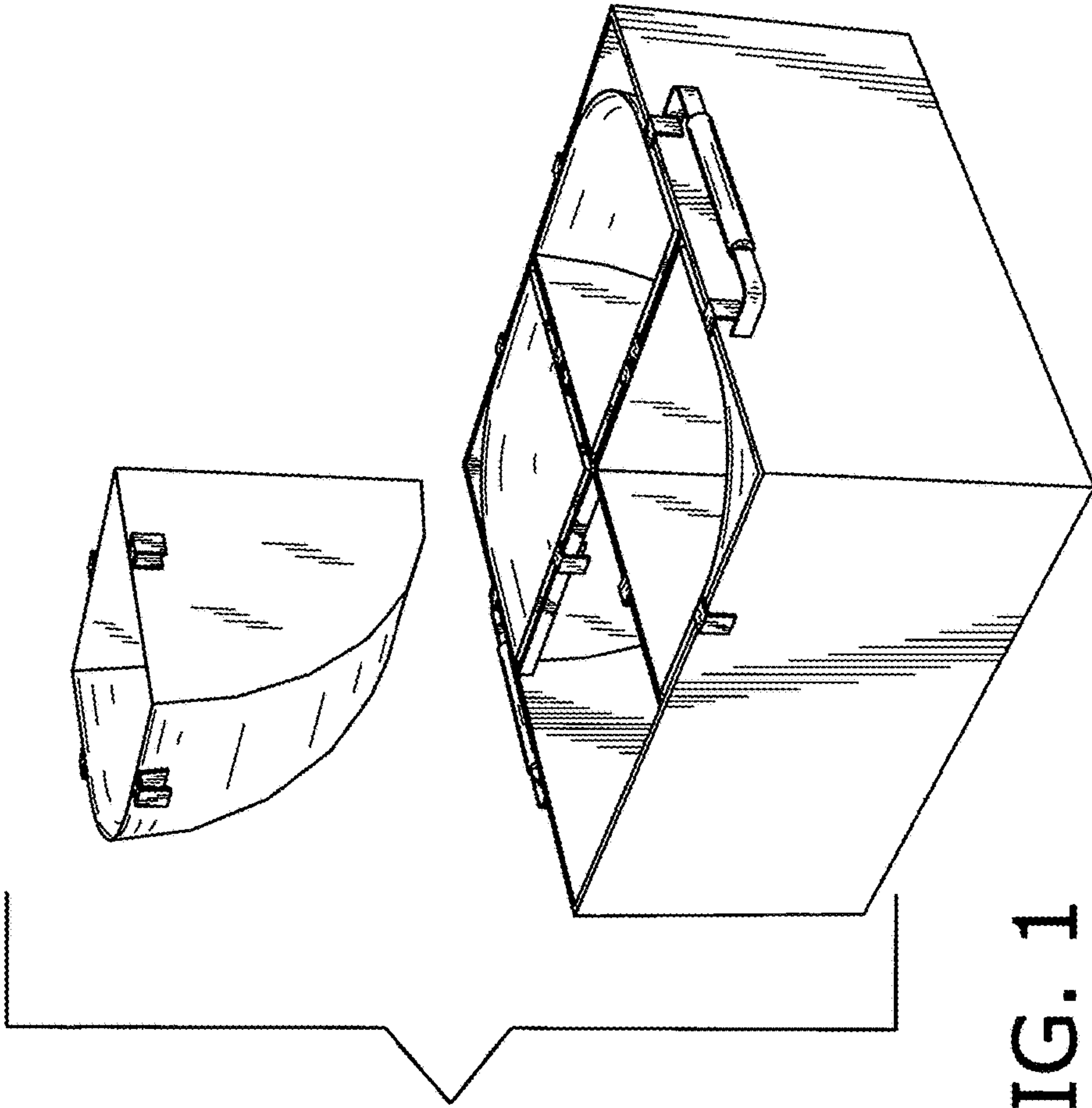


FIG. 1

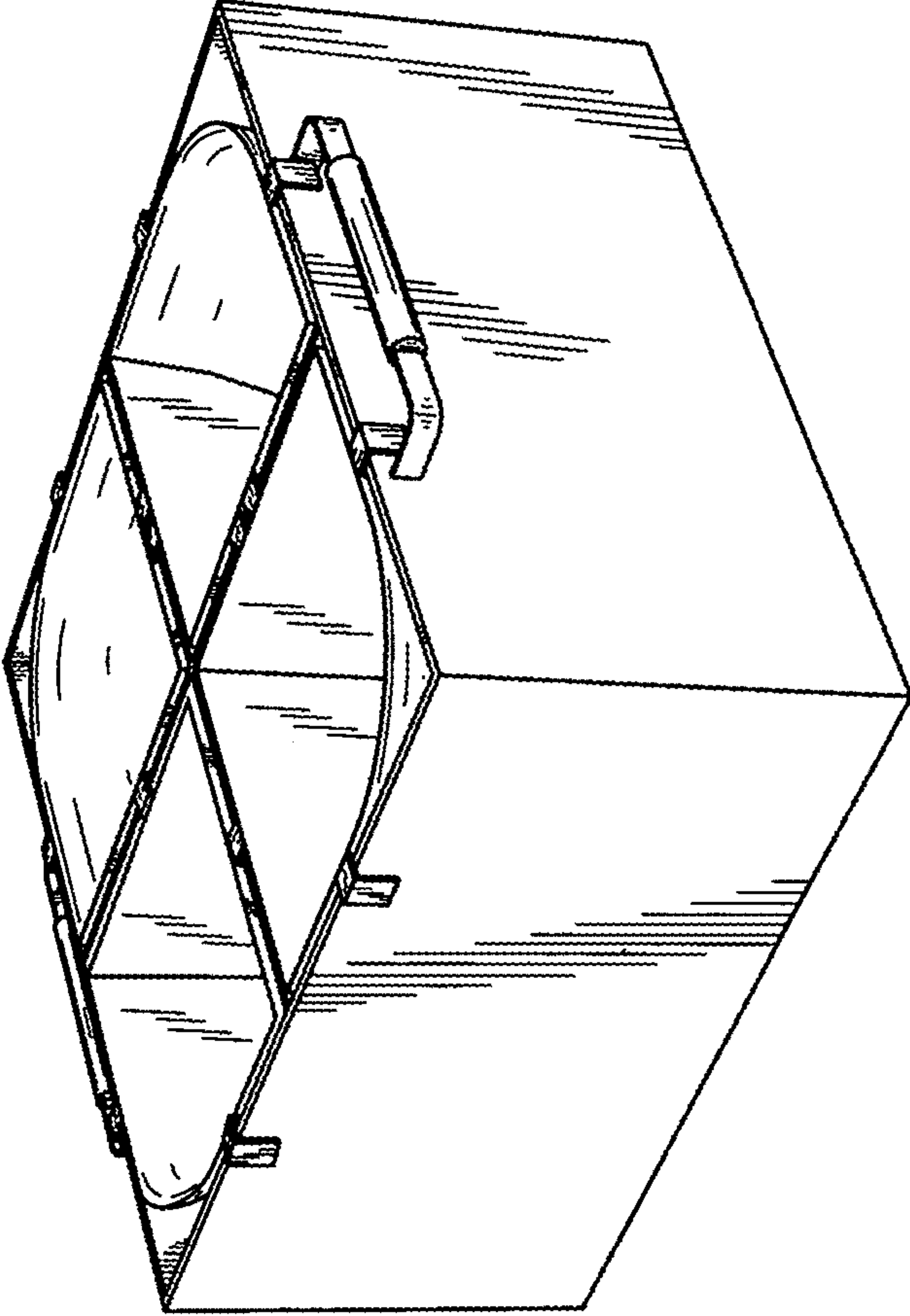


FIG. 2

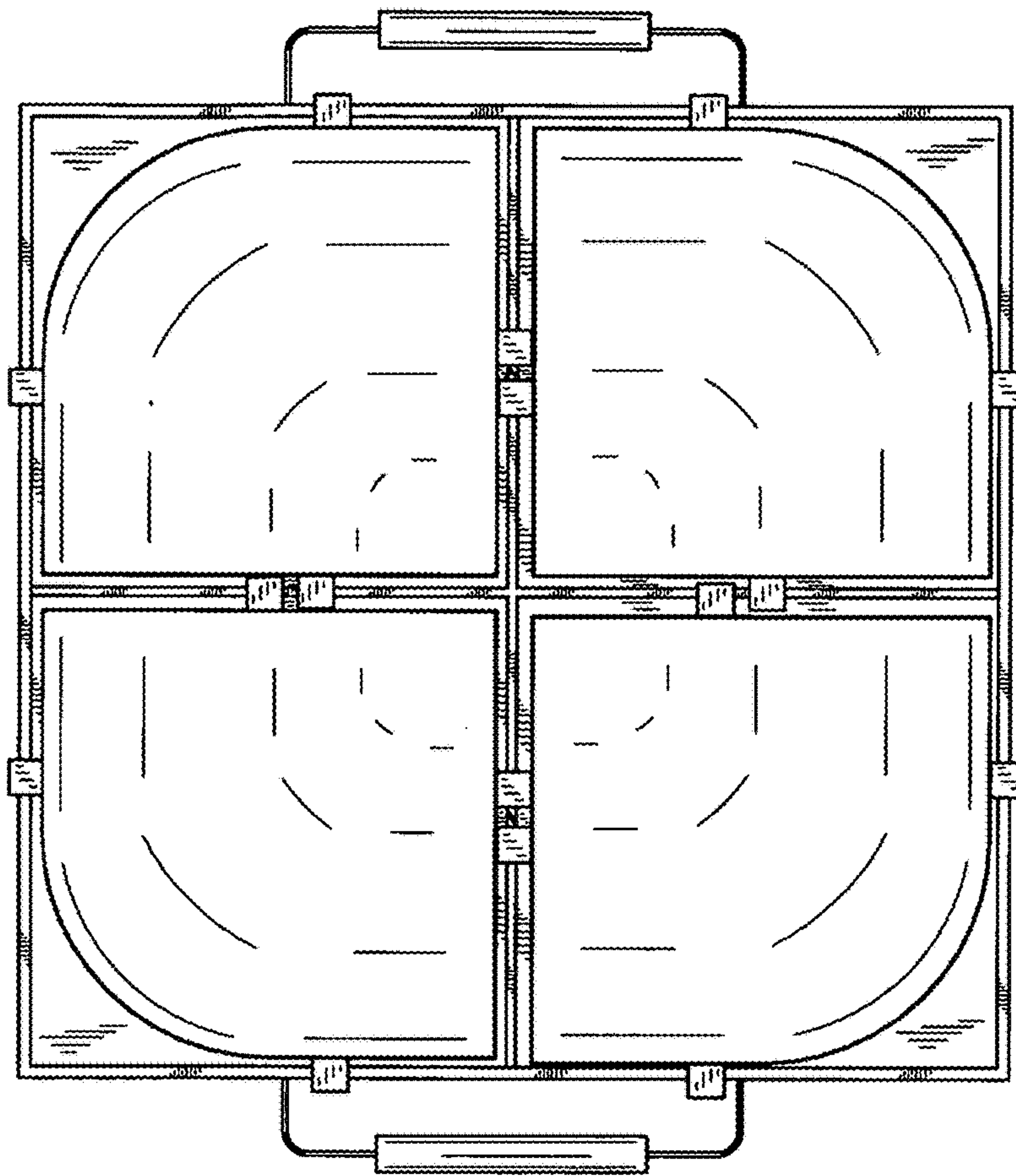


FIG. 3

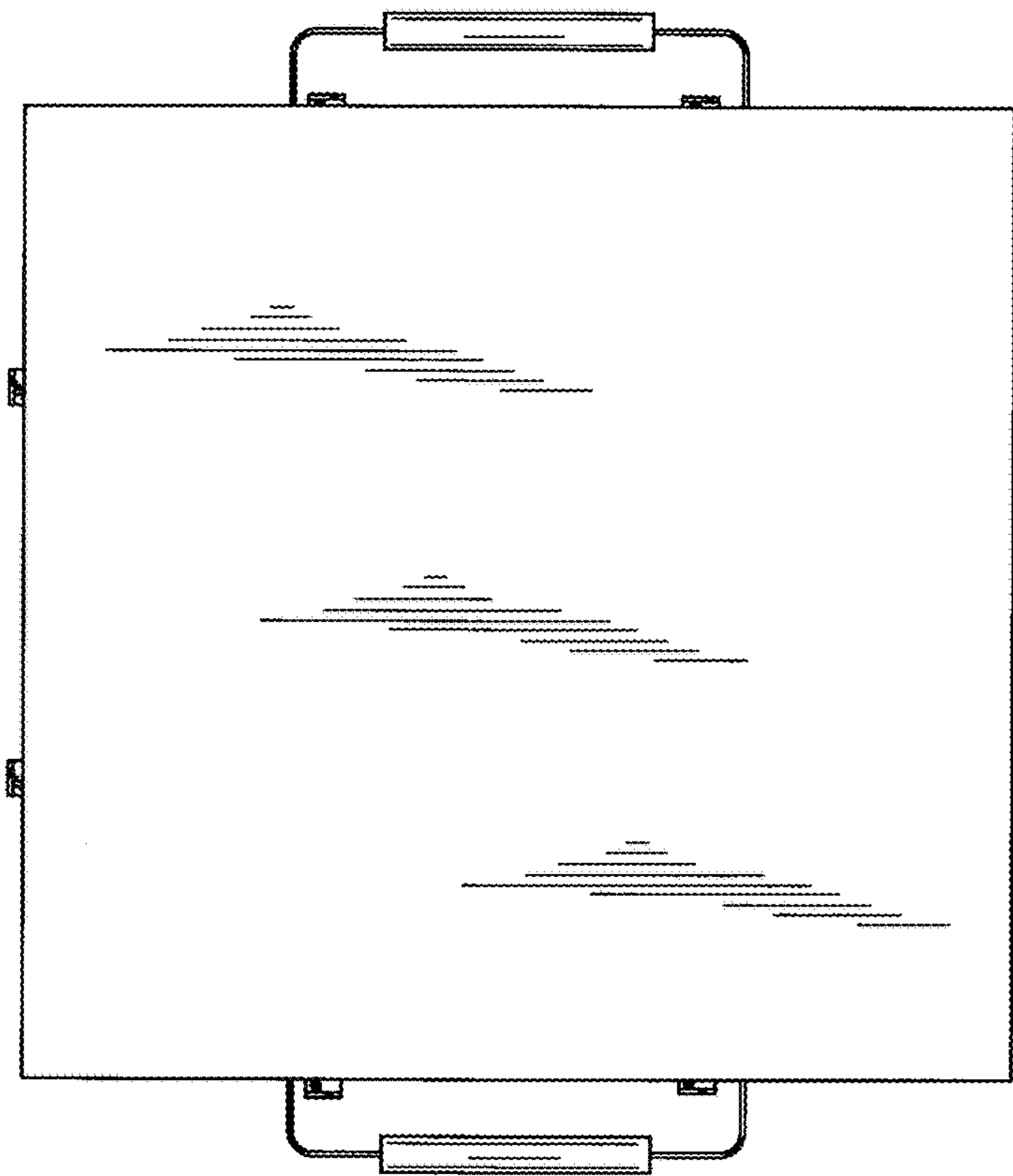


FIG. 4

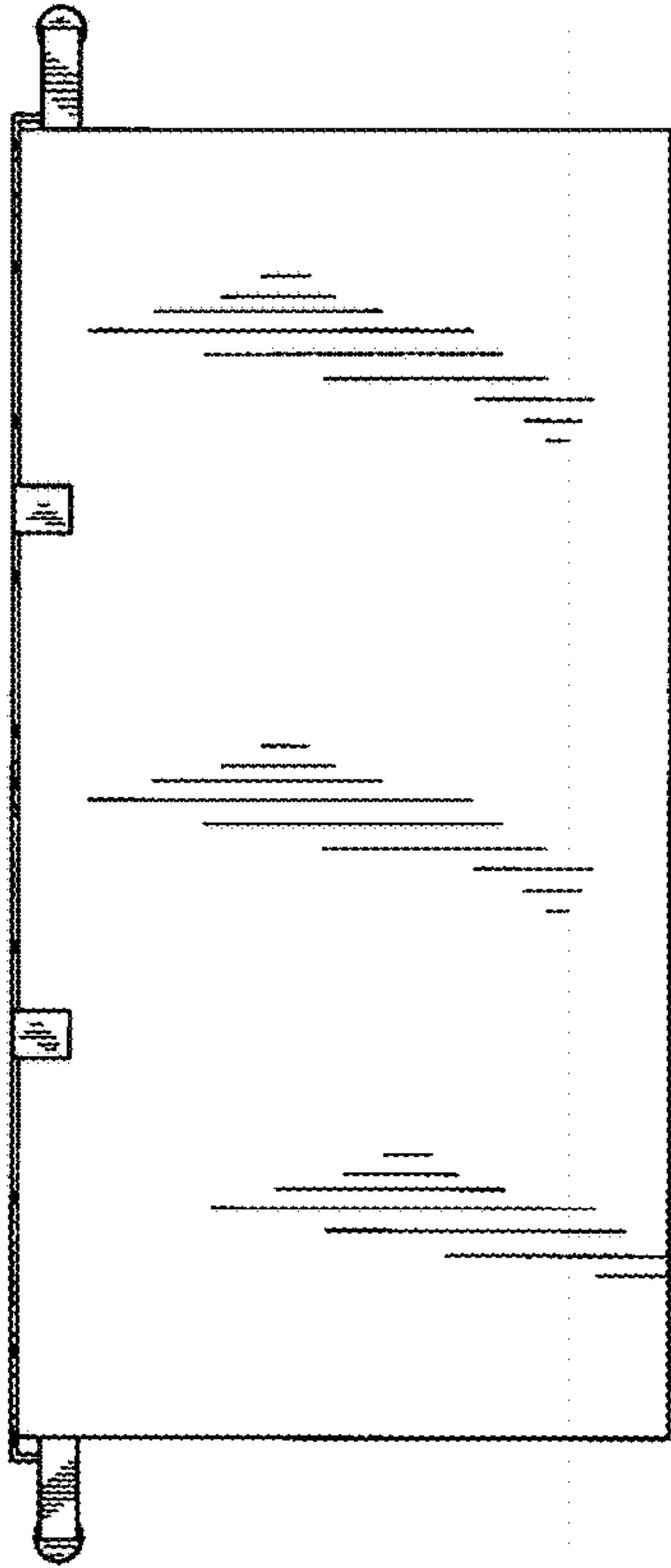


FIG. 5

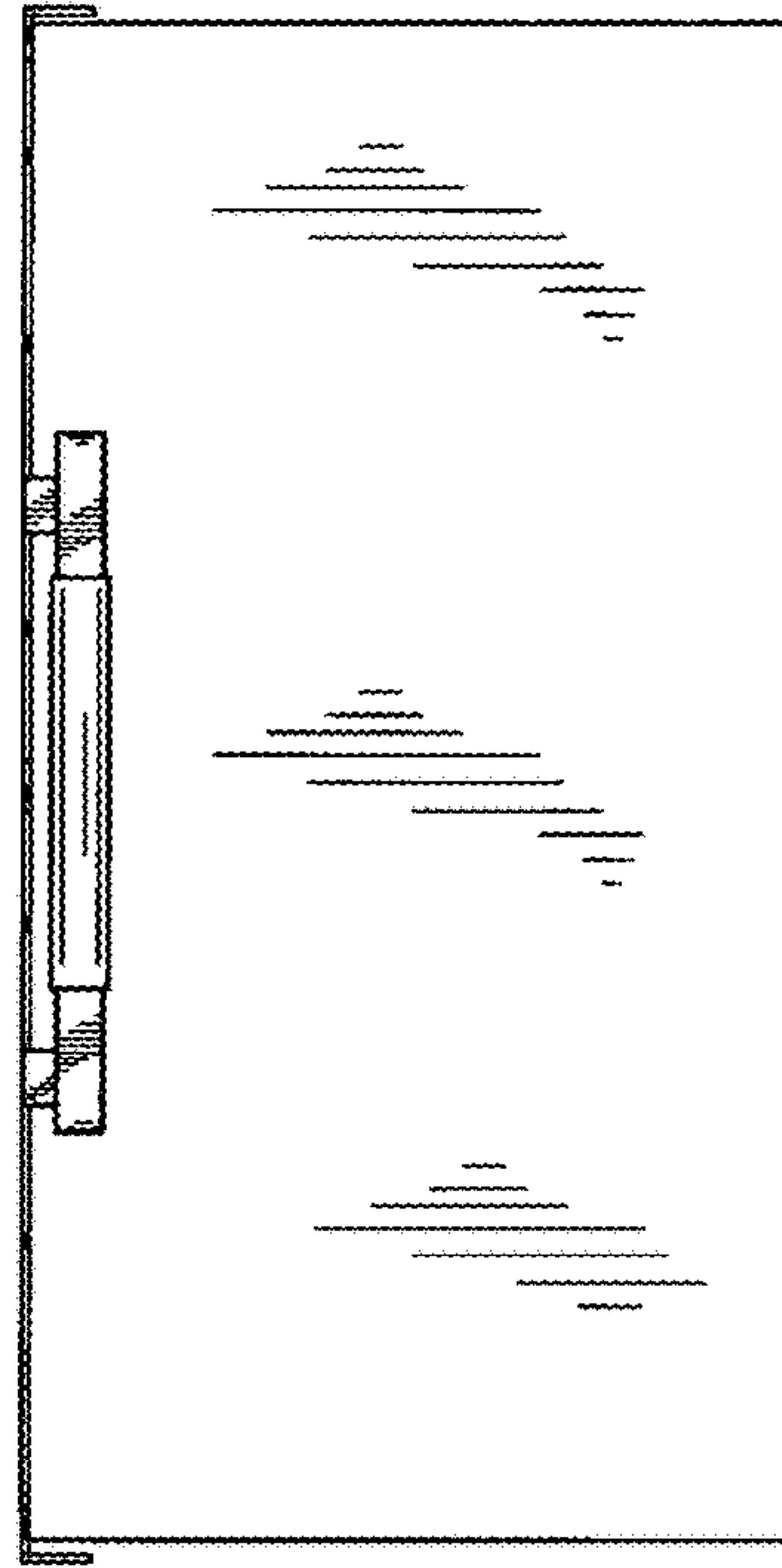


FIG. 6