



US00D859909S

(12) **United States Design Patent**
Murad et al.

(10) **Patent No.:** **US D859,909 S**

(45) **Date of Patent:** **** Sep. 17, 2019**

(54) **EGG COOKING TRAY**

(71) Applicant: **Team International Group of America Inc.**, Miami Gardens, FL (US)

(72) Inventors: **Uri Murad**, Aventura, FL (US);
Laurent Bardot, Renton, WA (US)

(**) Term: **15 Years**

(21) Appl. No.: **29/641,090**

(22) Filed: **Mar. 20, 2018**

(51) **LOC (12) Cl.** **07-02**

(52) **U.S. Cl.**
USPC **D7/357**; D7/354

(58) **Field of Classification Search**
USPC D7/323, 326, 354-361, 543, 545, 549,
D7/550.1, 553.1-553.8, 554.1-554.4, 555,
D7/584, 586, 600, 611; D9/430-433,
D9/455-456, 737, 756-762; D26/118;
D30/129, 133
CPC A21B 3/00; A21B 3/13; A21B 3/15; A21B
3/134; A21B 5/00; A21B 5/02; A47J
36/022; A47J 36/025; A47J 36/027; A47J
37/00; A47J 37/04; A47J 37/10; B28B
7/241; B65D 1/22; B65D 1/24; B65D
1/34; B65D 1/36; B65D 81/343; B65D
85/36

See application file for complete search history.

(56) **References Cited**

U.S. PATENT DOCUMENTS

- 323,887 A * 8/1885 Rutter B28B 7/241
249/119
- D158,214 S * 4/1950 O'Callaghan D7/326
- 3,017,820 A * 1/1962 Richards A47J 37/10
249/118
- D208,648 S * 9/1967 Warner D7/611

(Continued)

Primary Examiner — Ricky Pham

(74) *Attorney, Agent, or Firm* — Frank Marino

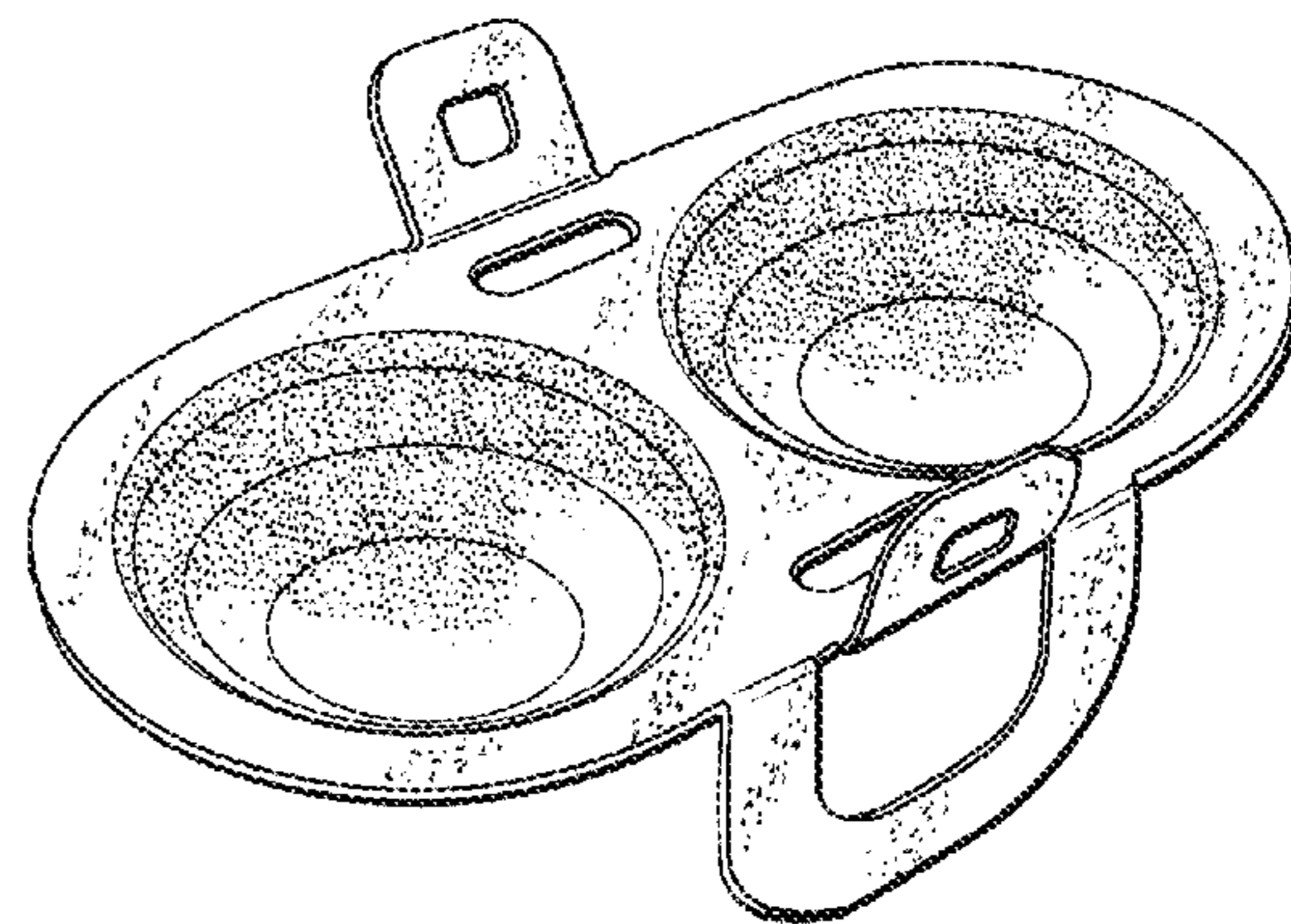
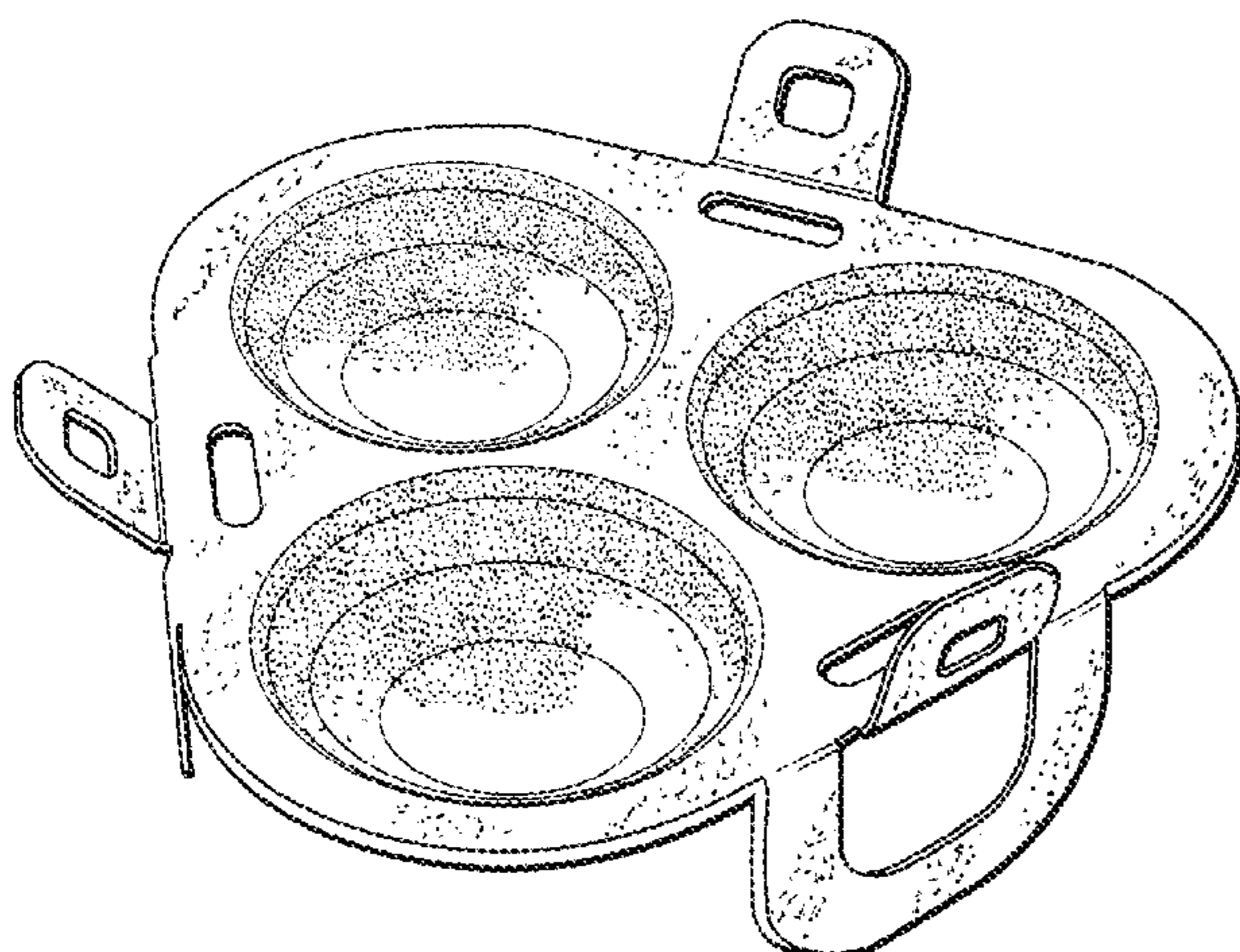
(57) **CLAIM**

The ornamental design for an egg cooking tray, as shown and described.

DESCRIPTION

FIG. 1 is a perspective view of an egg cooking tray according to a first embodiment of my new design;
 FIG. 2 is a top view of the egg cooking tray of FIG. 1;
 FIG. 3 is a bottom view of the egg cooking tray of FIG. 1;
 FIG. 4 is a front view of the egg cooking tray of FIG. 1;
 FIG. 5 is a rear view of the egg cooking tray of FIG. 1;
 FIG. 6 is a left side view of the egg cooking tray of FIG. 1, the right side view being a mirror image thereof;
 FIG. 7 is a cross-sectional view taken at line 7-7 of FIG. 3;
 FIG. 8 is a perspective view of an egg cooking tray according to a second embodiment of my new design;
 FIG. 9 is a top view of the egg cooking tray of FIG. 8;
 FIG. 10 is a bottom view of the egg cooking tray of FIG. 8;
 FIG. 11 is a front view of the egg cooking tray of FIG. 8, the rear view being identical thereto;
 FIG. 12 is a left side of the egg cooking tray of FIG. 8, the right side view being identical thereto;
 FIG. 13 is a cross-sectional view taken at line 13-13 of FIG. 10;
 FIG. 14 is a perspective view of an egg cooking tray according to a third embodiment of my new design;
 FIG. 15 is a bottom view of the egg cooking tray of FIG. 14;
 FIG. 16 is a top view of the egg cooking tray of FIG. 14;
 FIG. 17 is a front view of the egg cooking tray of FIG. 14, the right side view, left side view, and rear view all being identical; and,
 FIG. 18 a cross-sectional view taken at line 18-18 of FIG. 16.
 Those features not common throughout the various embodiments form no part of the claimed design.

1 Claim, 8 Drawing Sheets



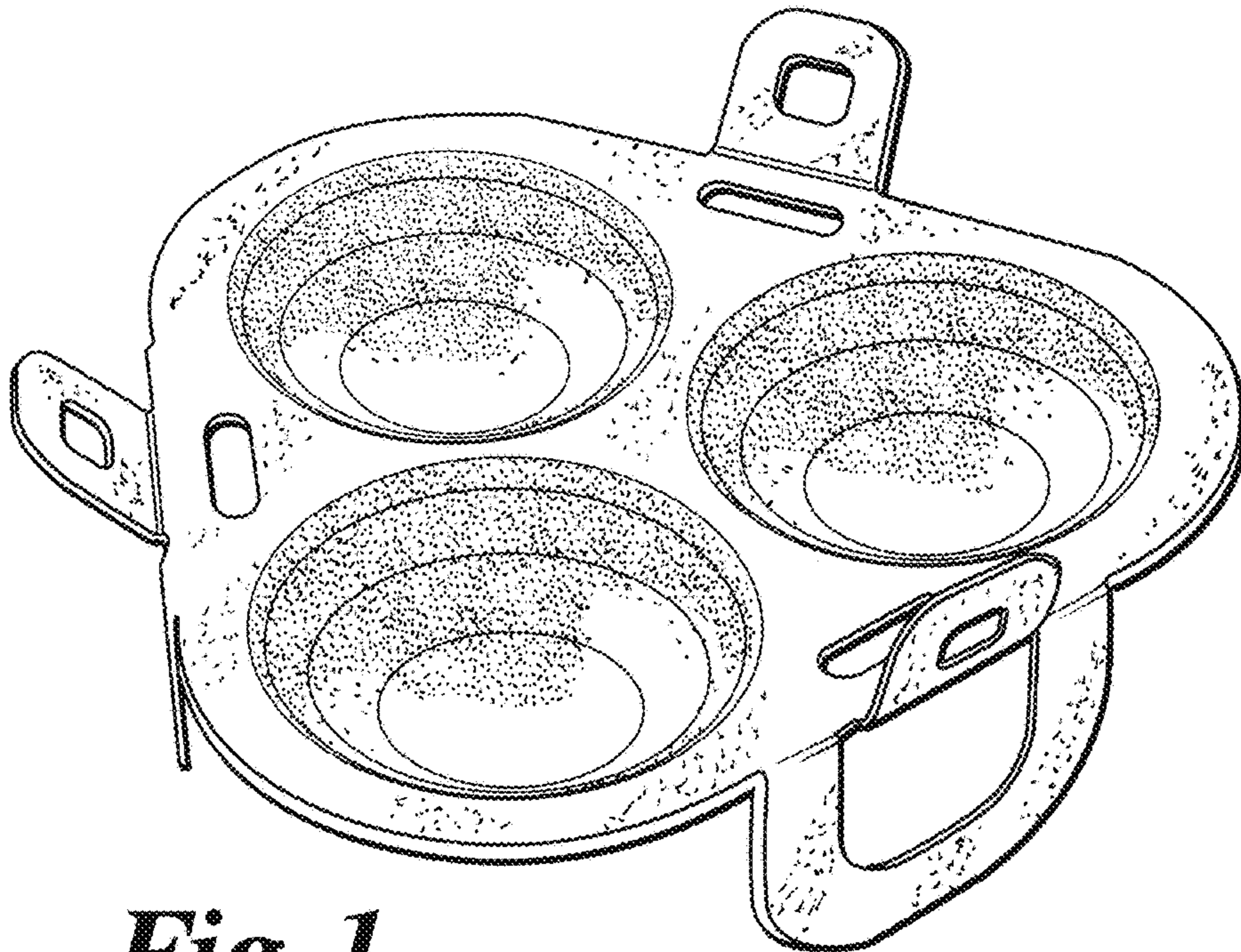


Fig. 1

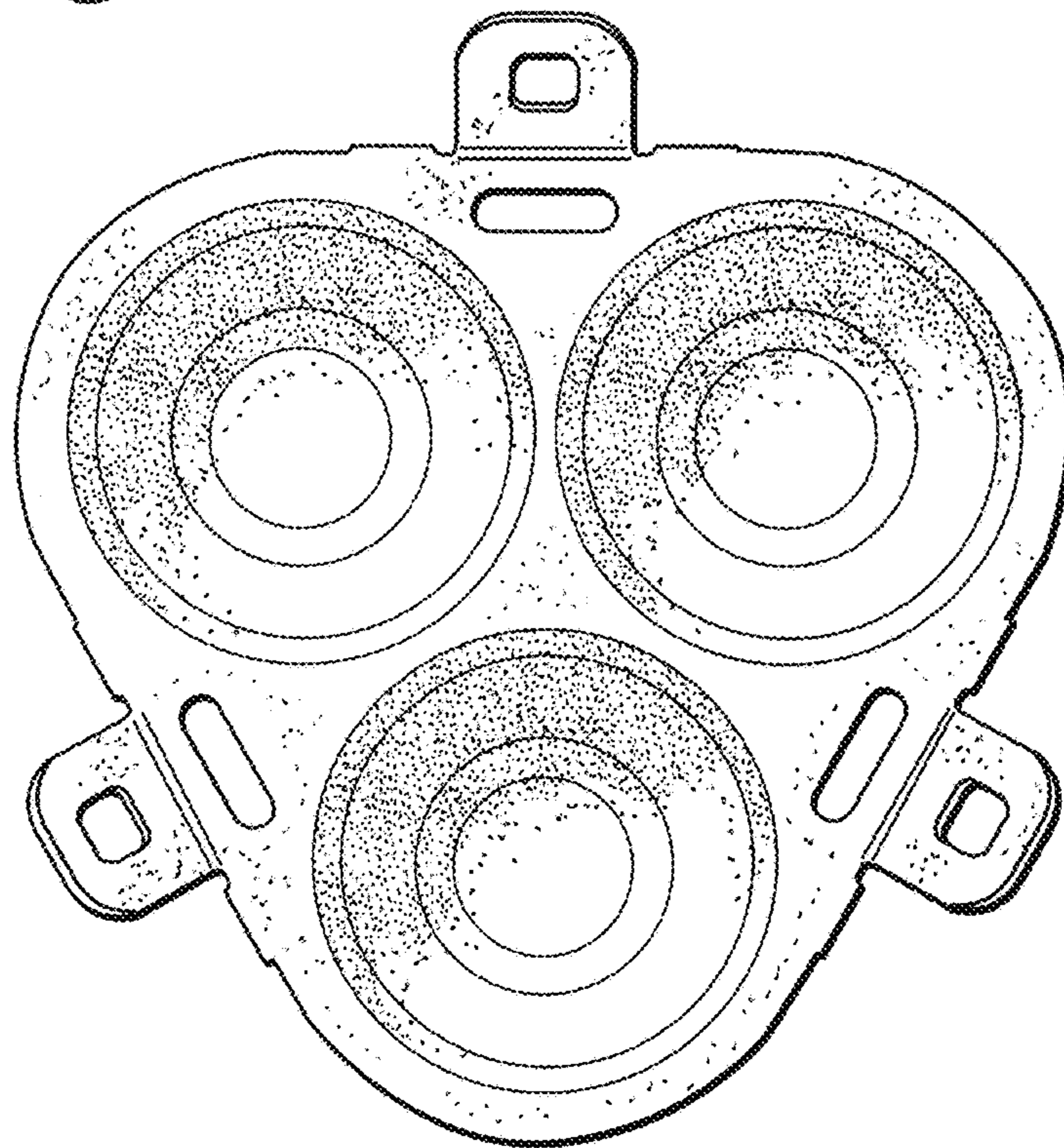


Fig. 2

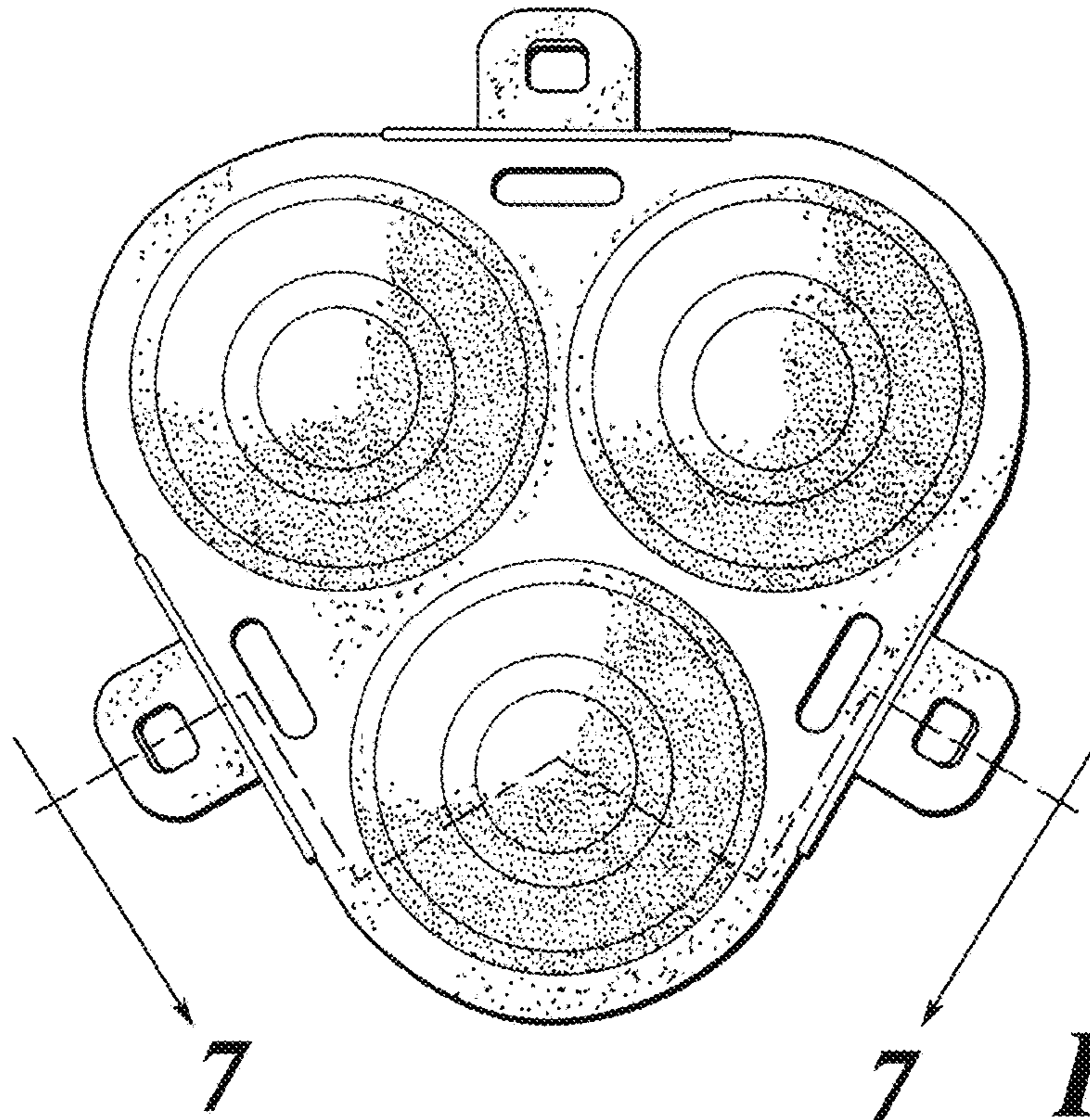


Fig. 3

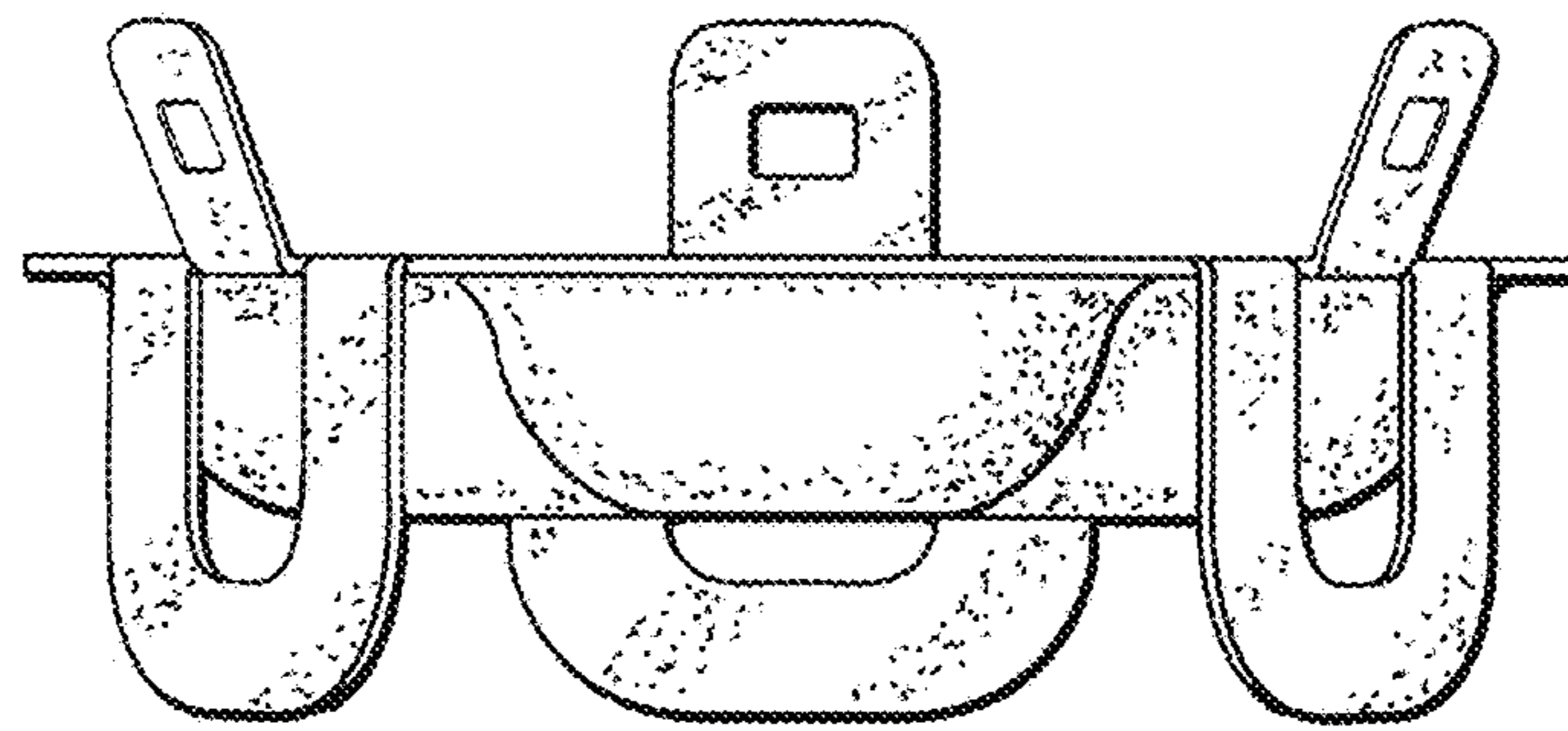


Fig. 4

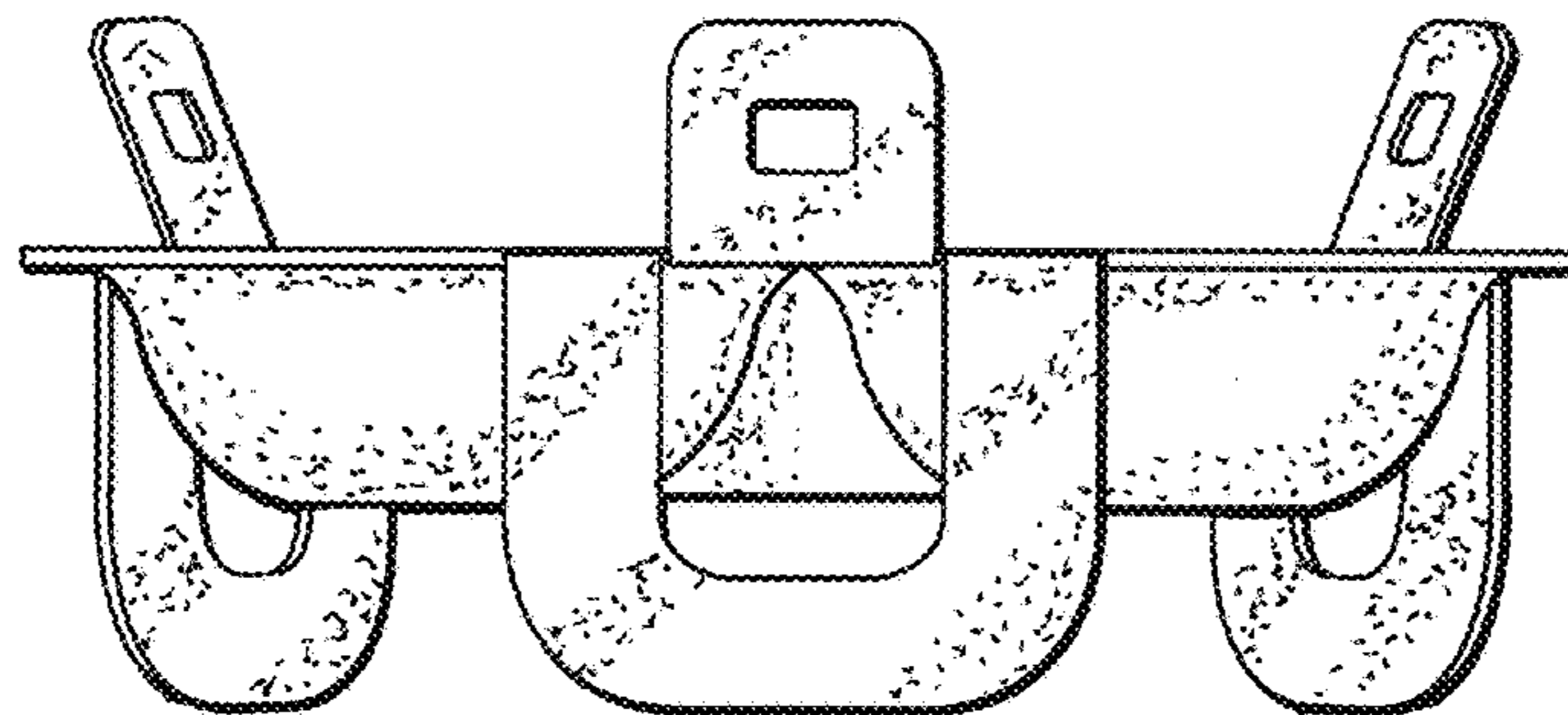


Fig. 5

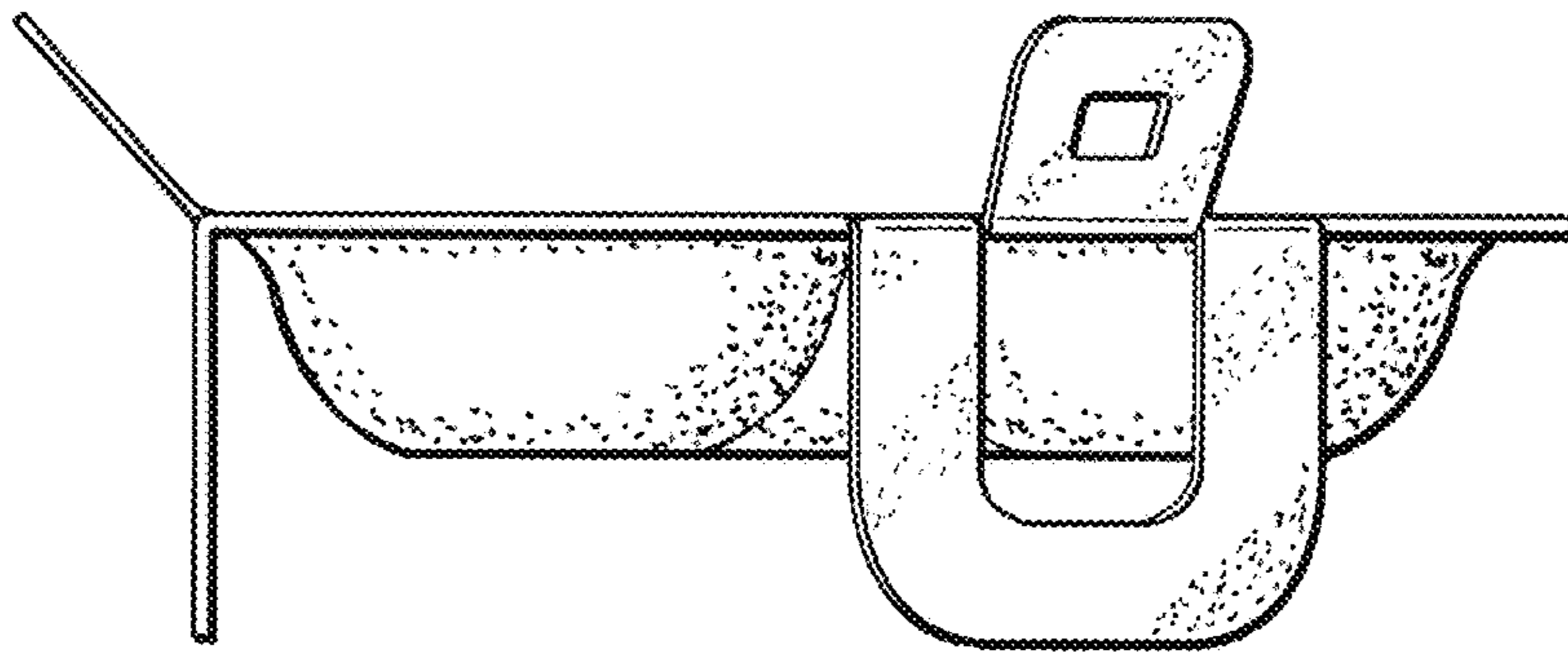


Fig. 6

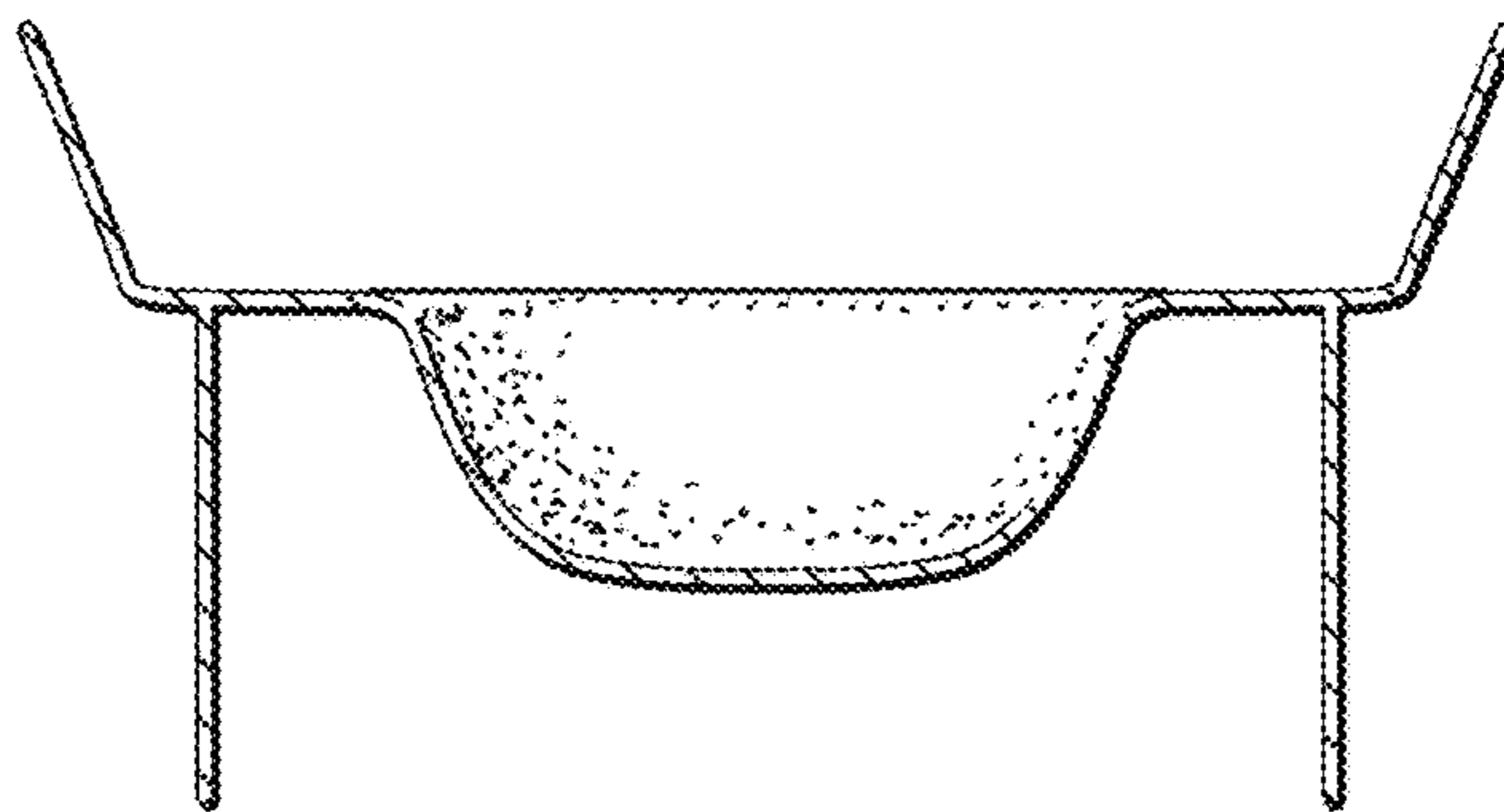


Fig. 7

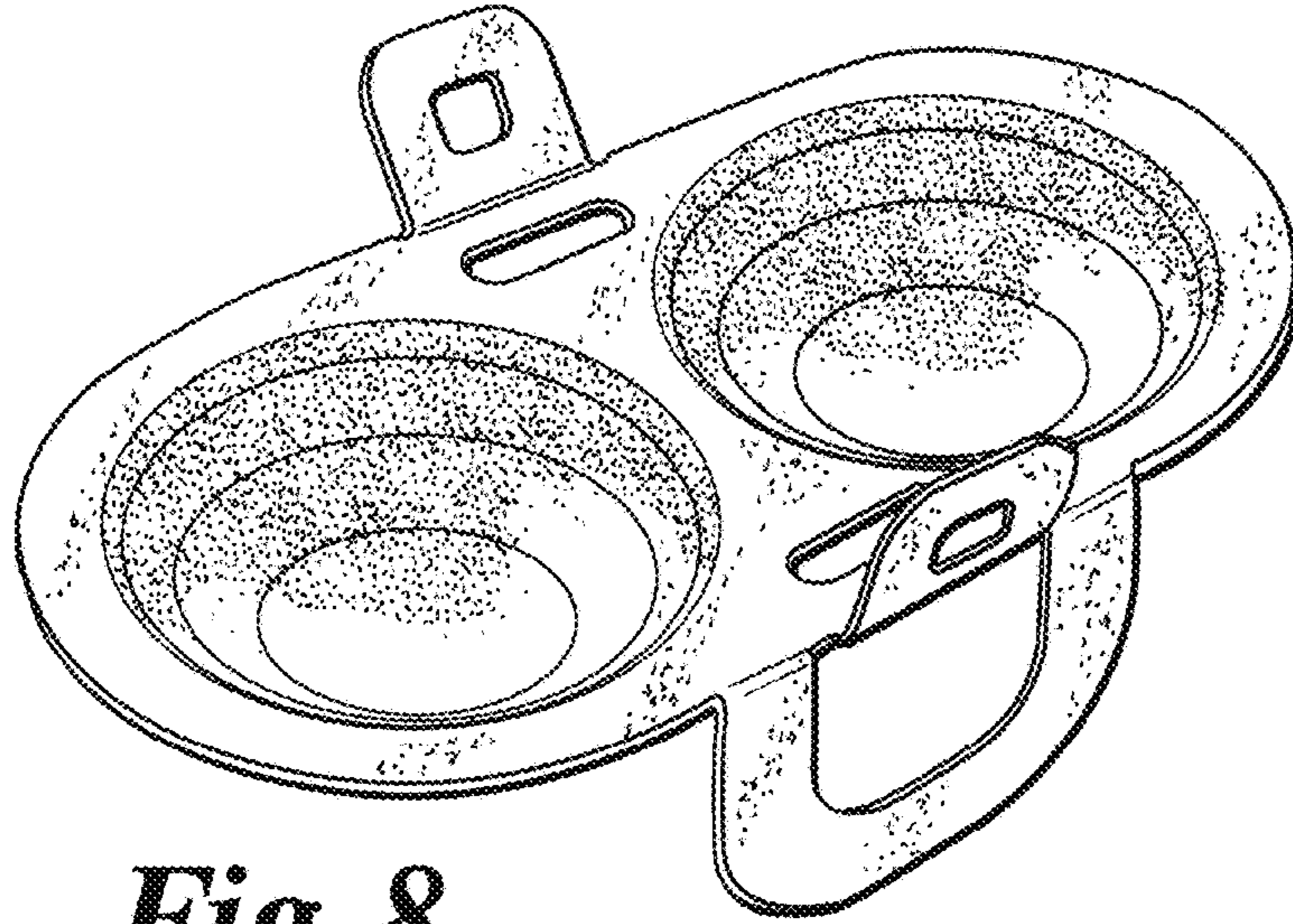


Fig. 8

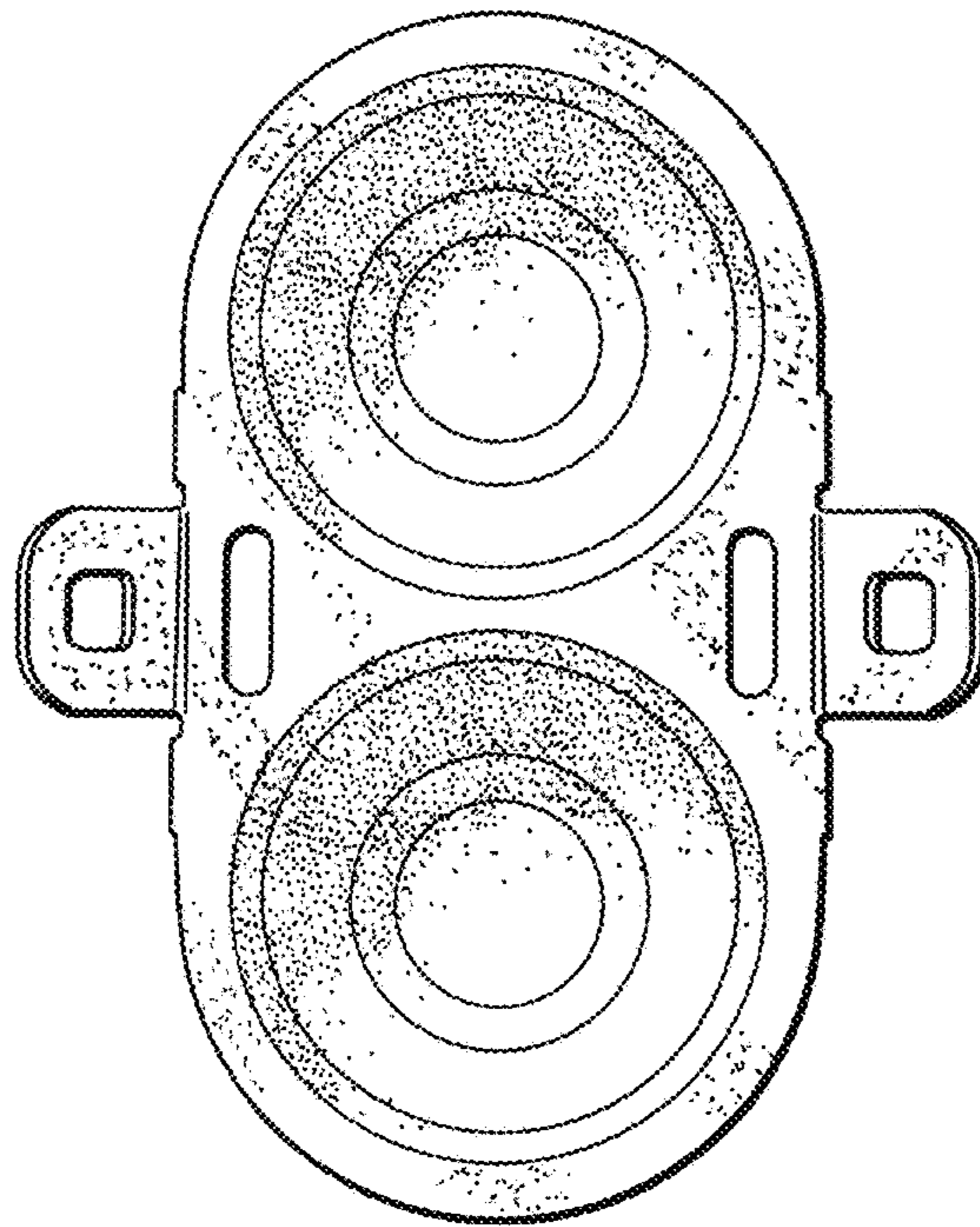


Fig. 9

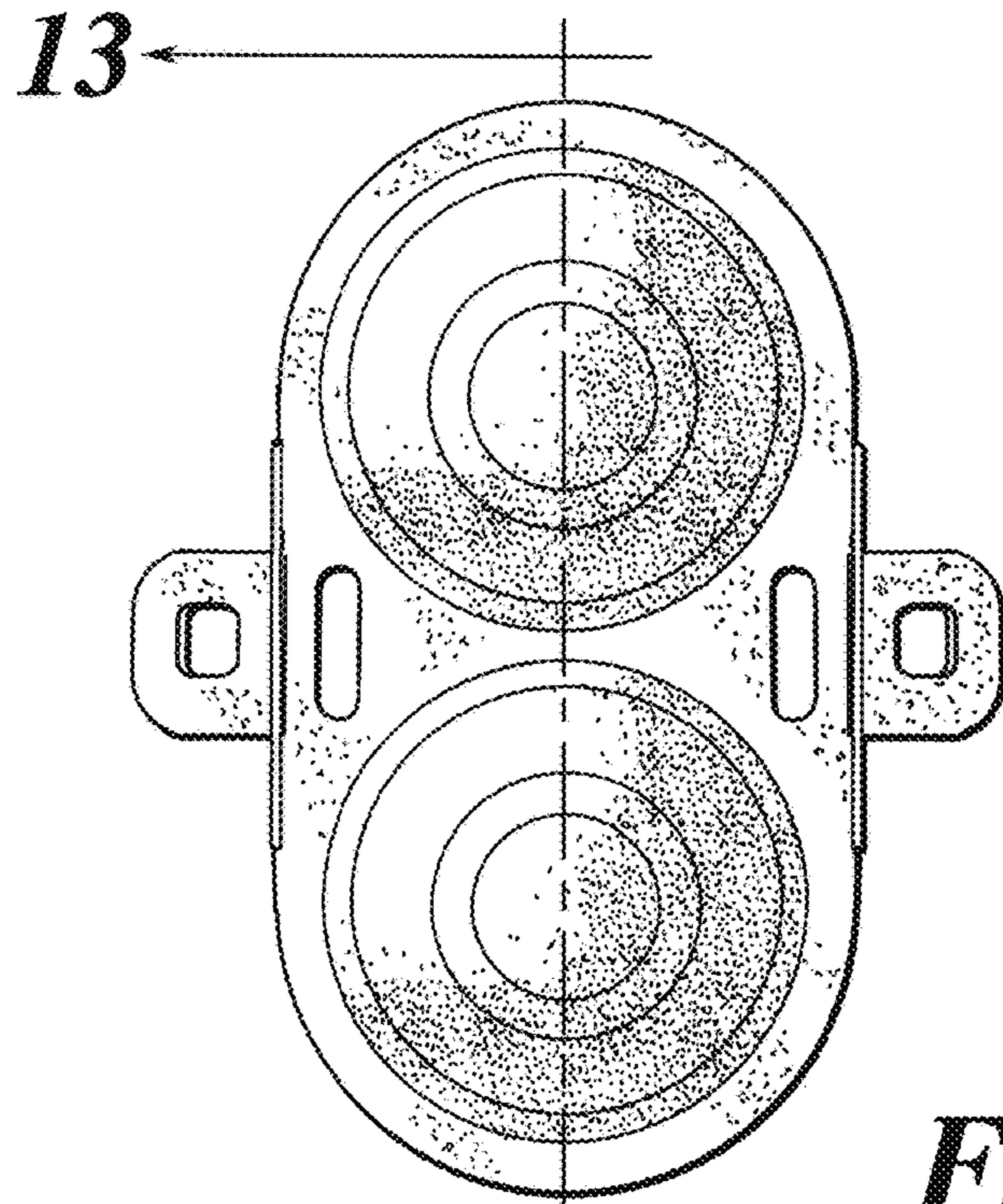


Fig. 10

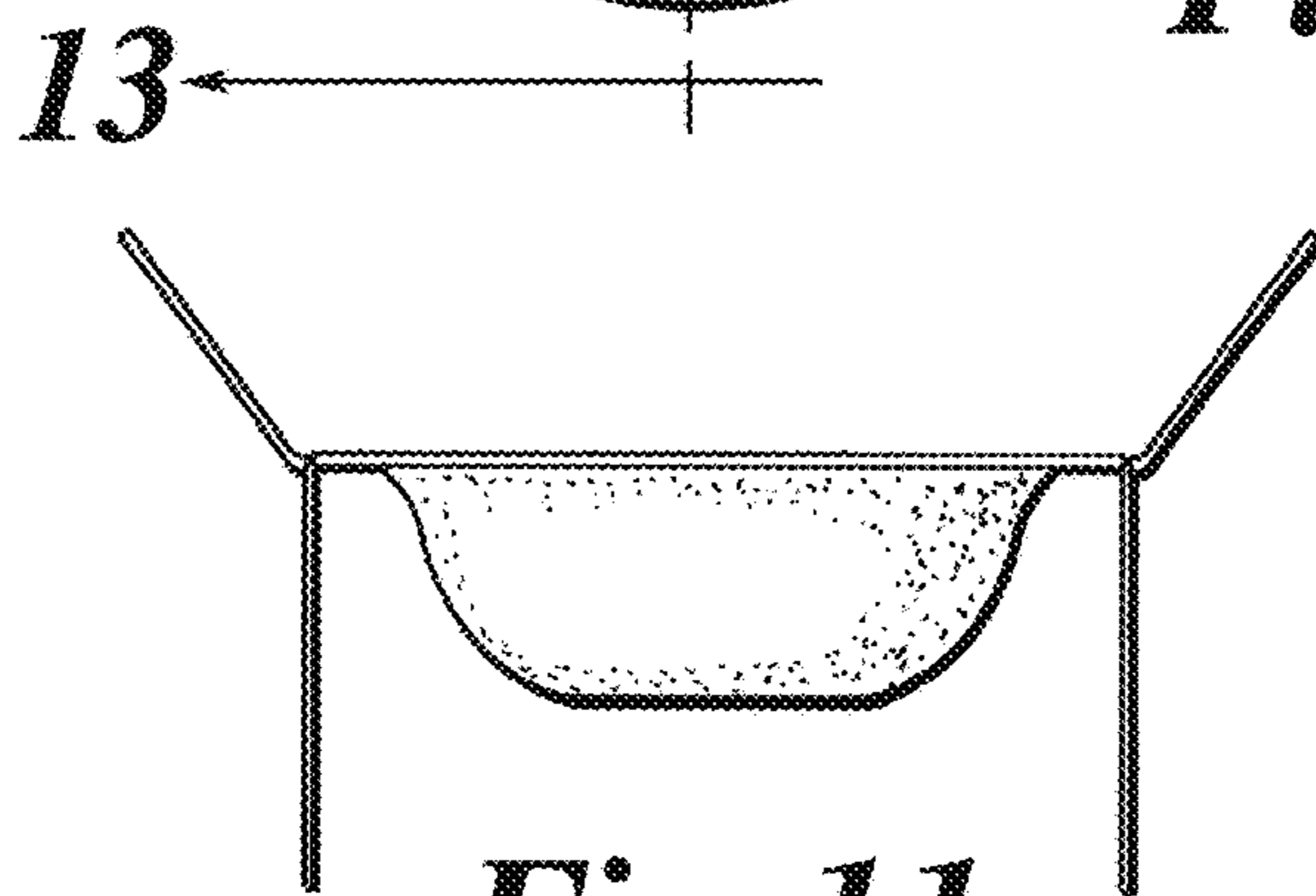


Fig. 11

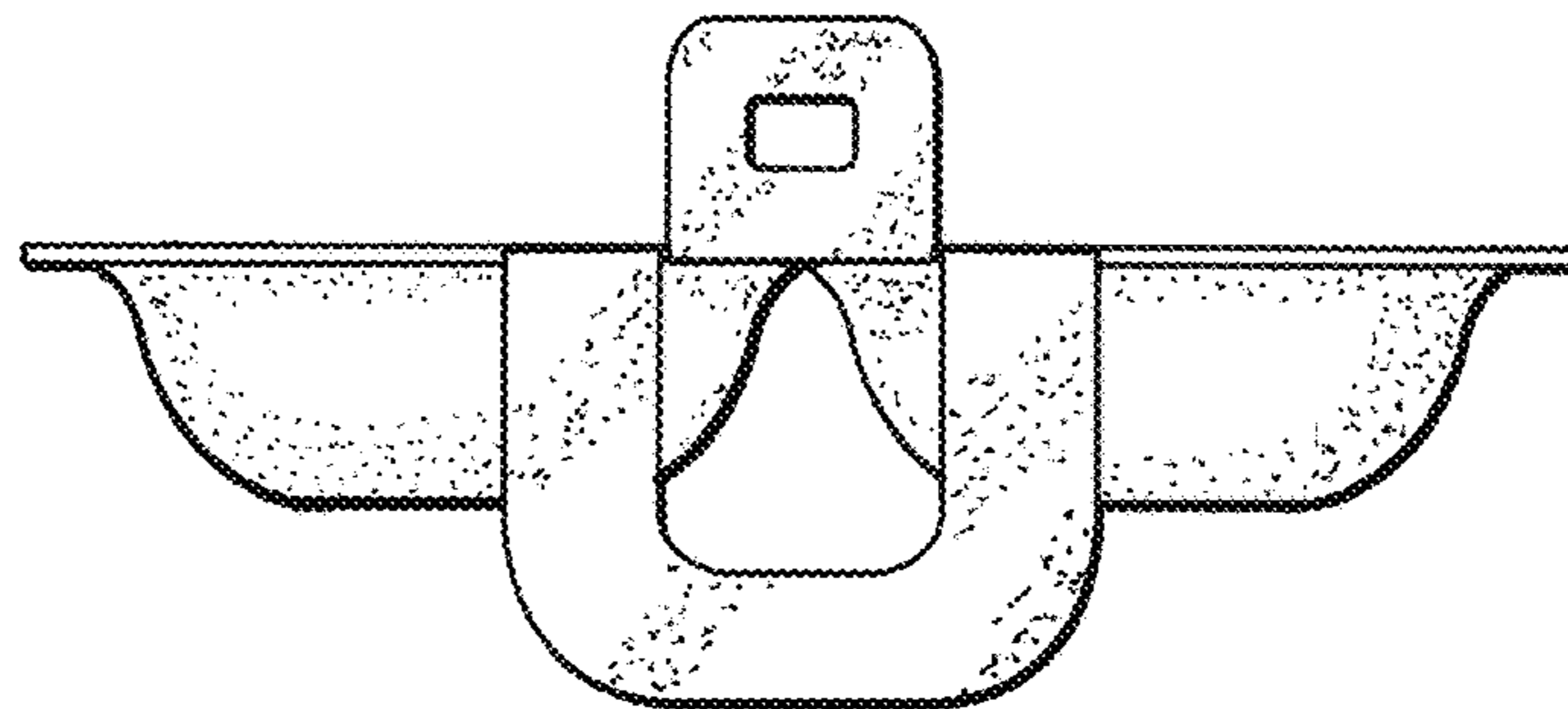


Fig. 12

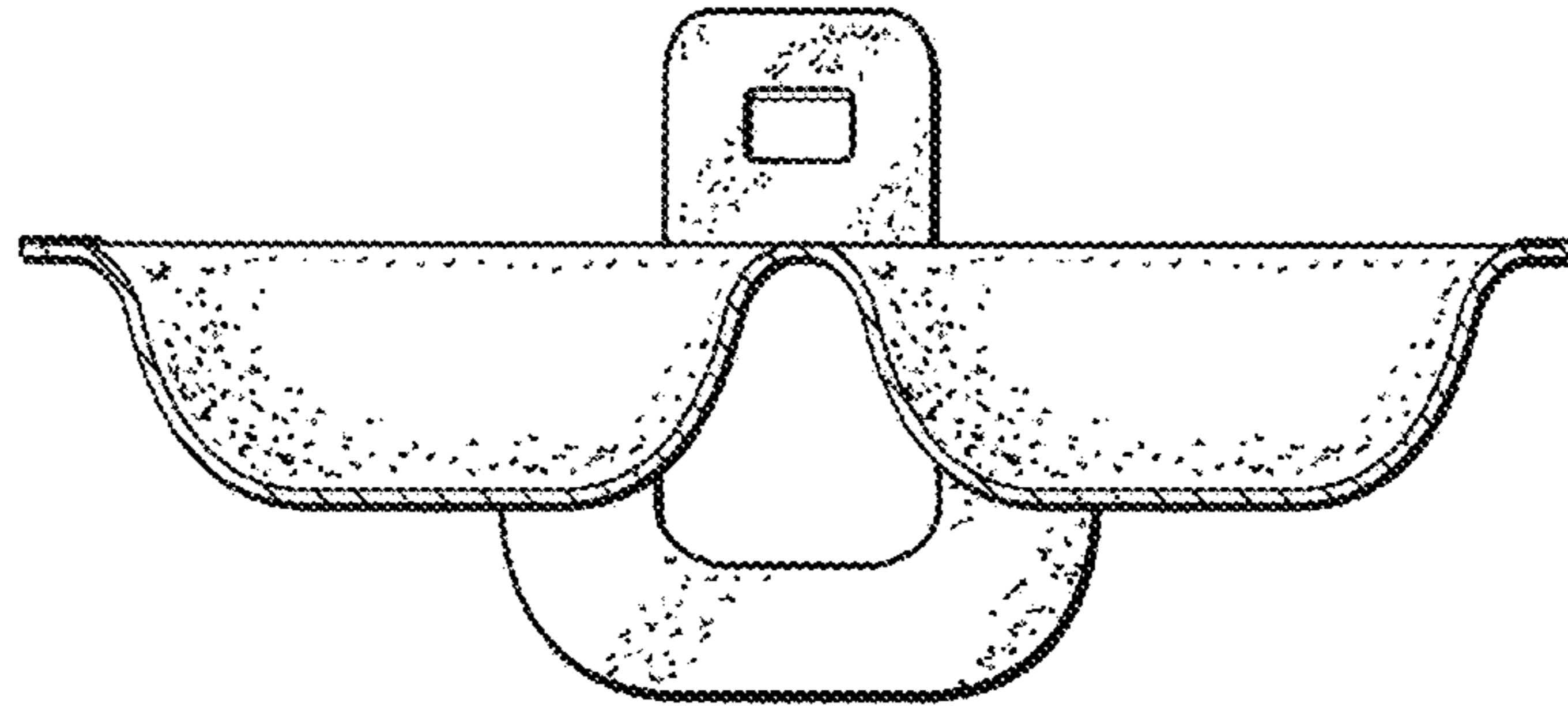


Fig. 13

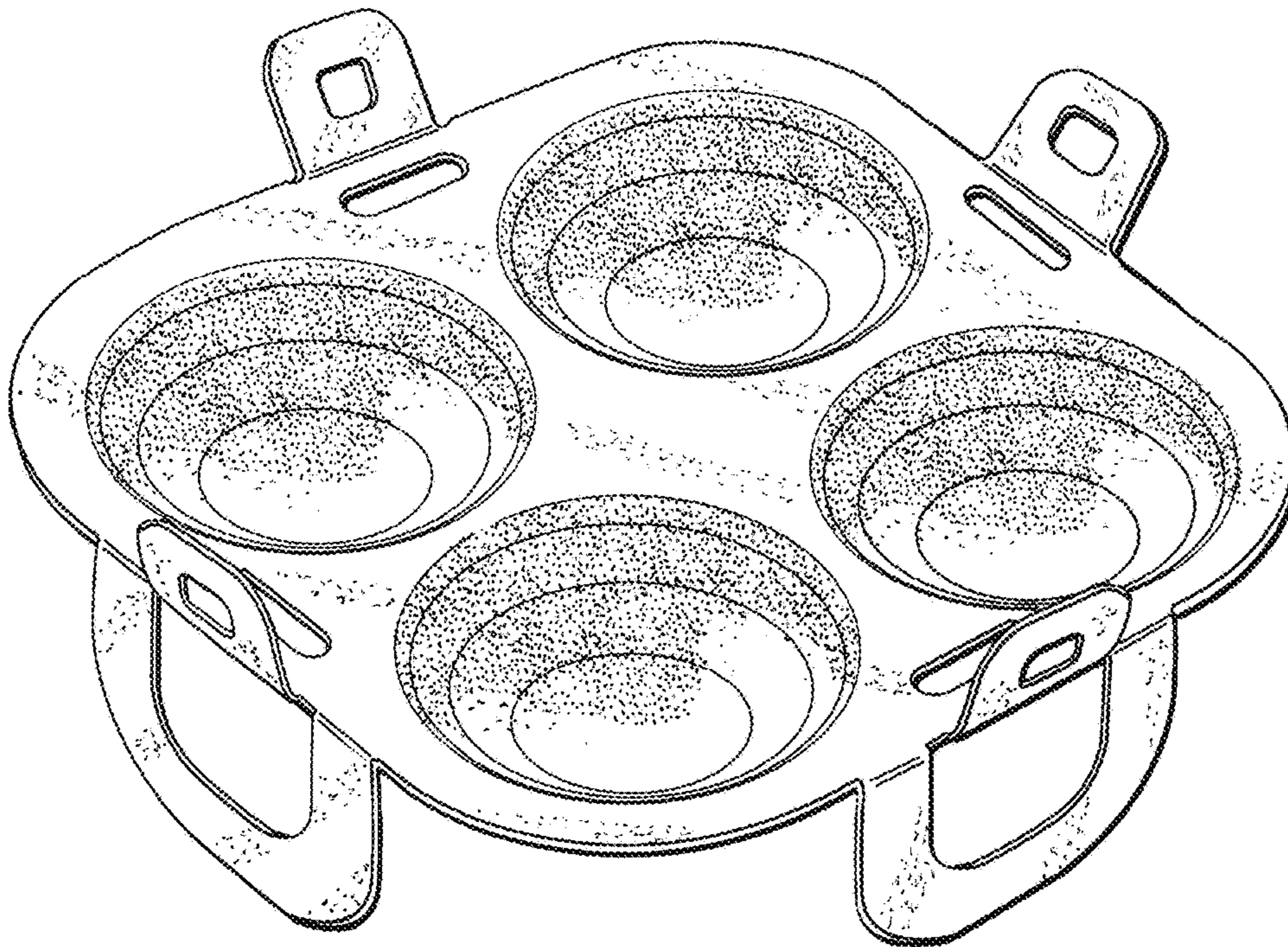


Fig. 14

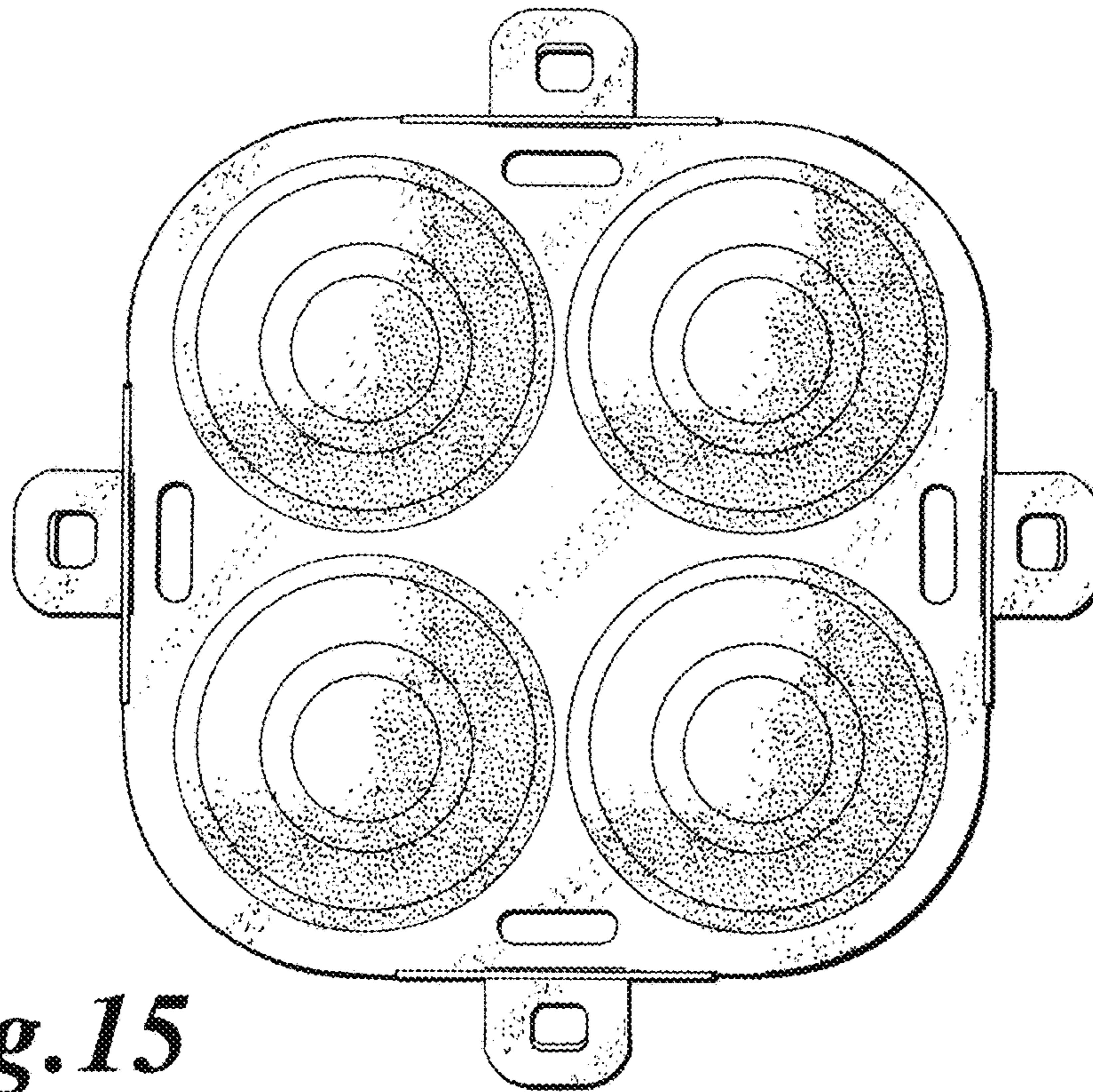


Fig. 15

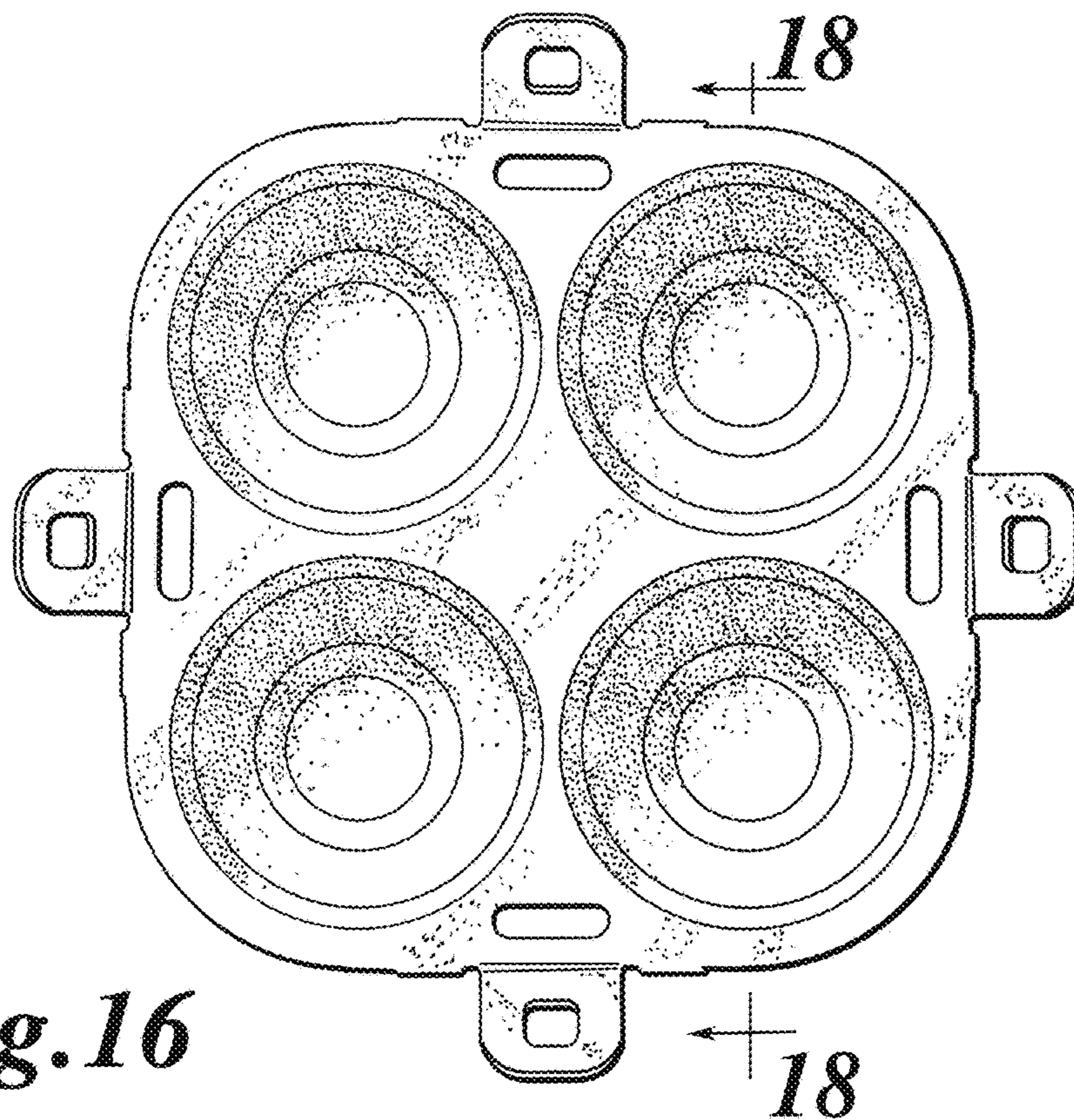


Fig. 16

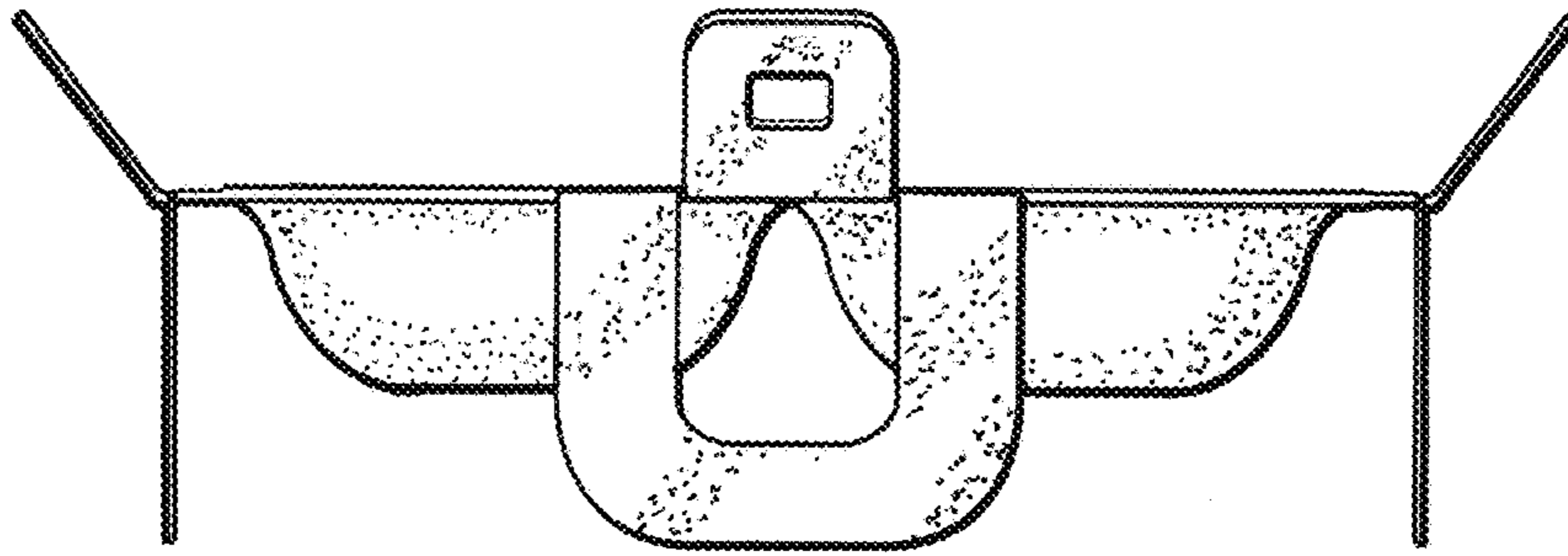


Fig. 17

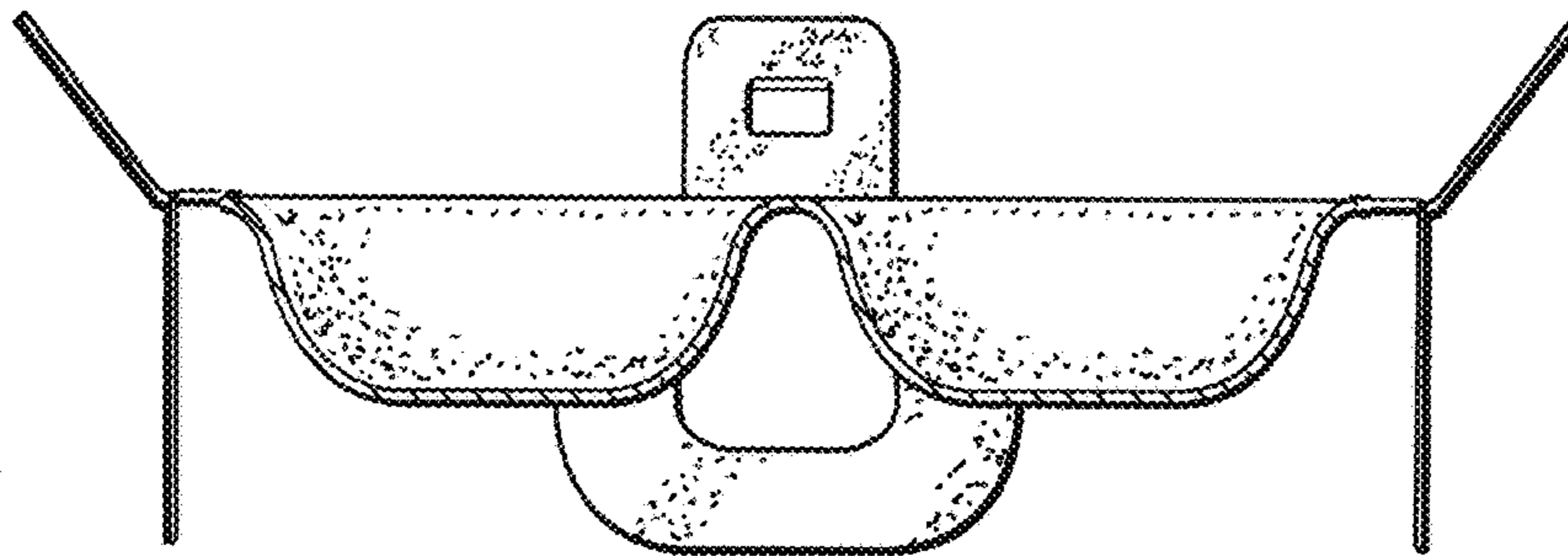


Fig. 18