



US00D859904S

(12) **United States Design Patent**
Mitlyng et al.

(10) **Patent No.: US D859,904 S**

(45) **Date of Patent: ** Sep. 17, 2019**

(54) **BEVERAGE DISPENSER**

D805,828 S *	12/2017	Merali	D7/306
D812,951 S *	3/2018	Hecht	D7/306
D812,953 S *	3/2018	Berberet	D7/306
2012/0067921 A1 *	3/2012	Shippen	B67D 3/0025 222/144

(71) Applicant: **TBOT INC.**, Toronto (CA)

(72) Inventors: **Adam Spencer Mitlyng**, Toronto (CA);
Rehman Merali, Toronto (CA); **Mikael Boudagian**, Thornhill (CA); **Irakliy Kontselidze**, Toronto (CA)

* cited by examiner

(73) Assignee: **TBOT INC.**, Toronto (CA)

Primary Examiner — Derrick E Holland

Assistant Examiner — Andrew Kerr

(**) Term: **15 Years**

(74) *Attorney, Agent, or Firm* — Norton Rose Fulbright
Canada LLP

(21) Appl. No.: **29/613,687**

(57) **CLAIM**

The ornamental design for a beverage dispenser, as shown and described.

(22) Filed: **Aug. 11, 2017**

DESCRIPTION

(51) **LOC (12) Cl.** **09-01**

(52) **U.S. Cl.**
USPC **D7/311; D7/312**

(58) **Field of Classification Search**
USPC D7/300, 304–308, 311, 312; D10/46;
D24/216, 219
CPC .. A47J 31/40; A47J 31/46; A47J 31/22; A47J
31/00; A47J 31/007; B04B 1/00; B04B
5/00; B67D 3/00; B67D 7/00
See application file for complete search history.

FIG. 1 is a first perspective view of a beverage dispenser showing the design;
FIG. 2 is a second perspective view thereof;
FIG. 3 is a front view thereof
FIG. 4 is a rear view thereof;
FIG. 5 is a left side view thereof;
FIG. 6 is a right side view thereof;
FIG. 7 is a top view thereof; and,
FIG. 8 is a bottom view thereof.

Broken lines in the drawing depict portions of the beverage dispenser that form no part of the claimed design.

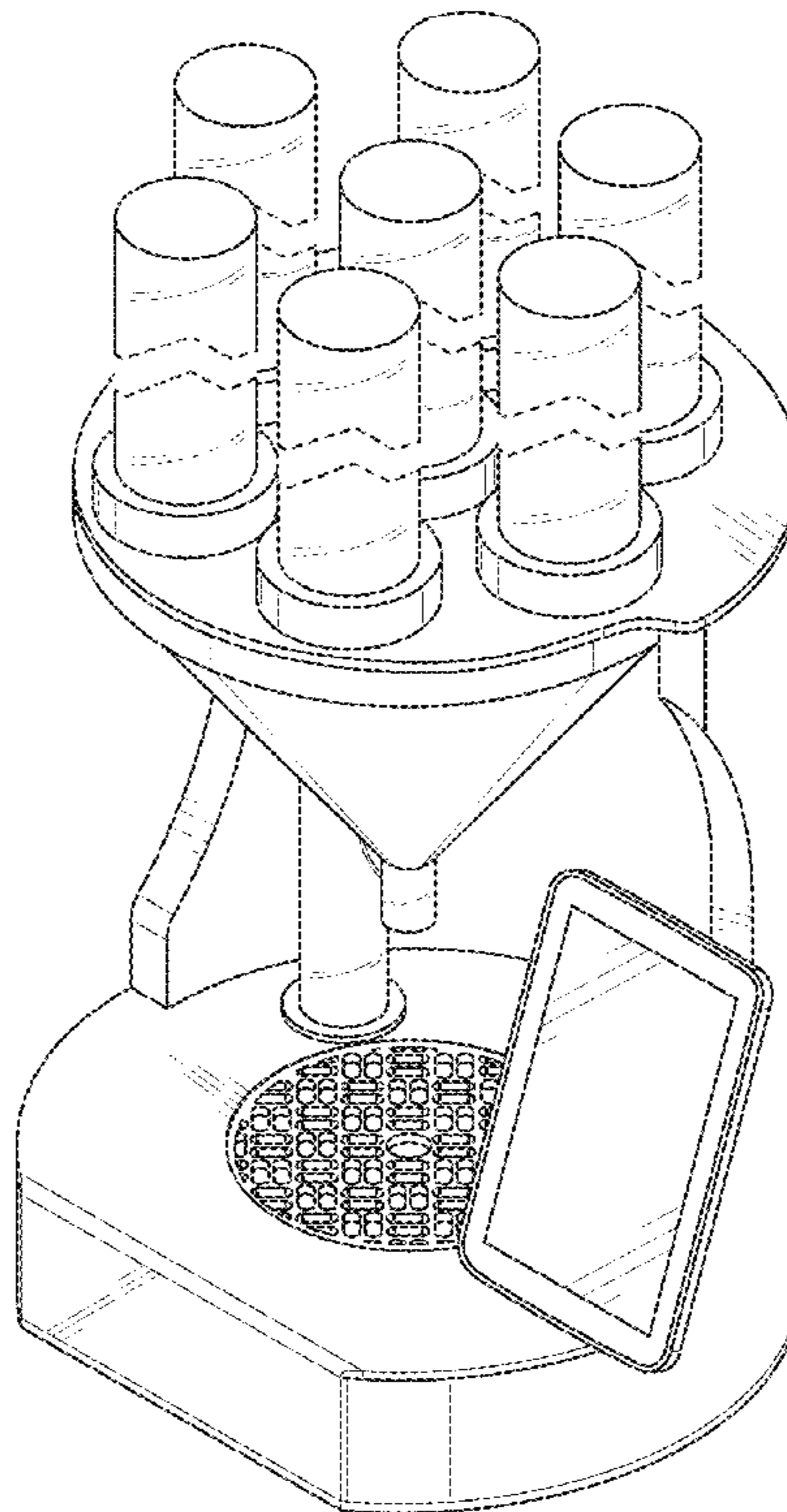
The beverage dispenser is shown with a symbolic break in its length. The appearance of any portion of the article between the break lines forms no part of the claimed design.

(56) **References Cited**

U.S. PATENT DOCUMENTS

5,890,629 A *	4/1999	Loew	B67D 3/0009 222/144
D505,823 S *	6/2005	Turner	D7/307

1 Claim, 8 Drawing Sheets



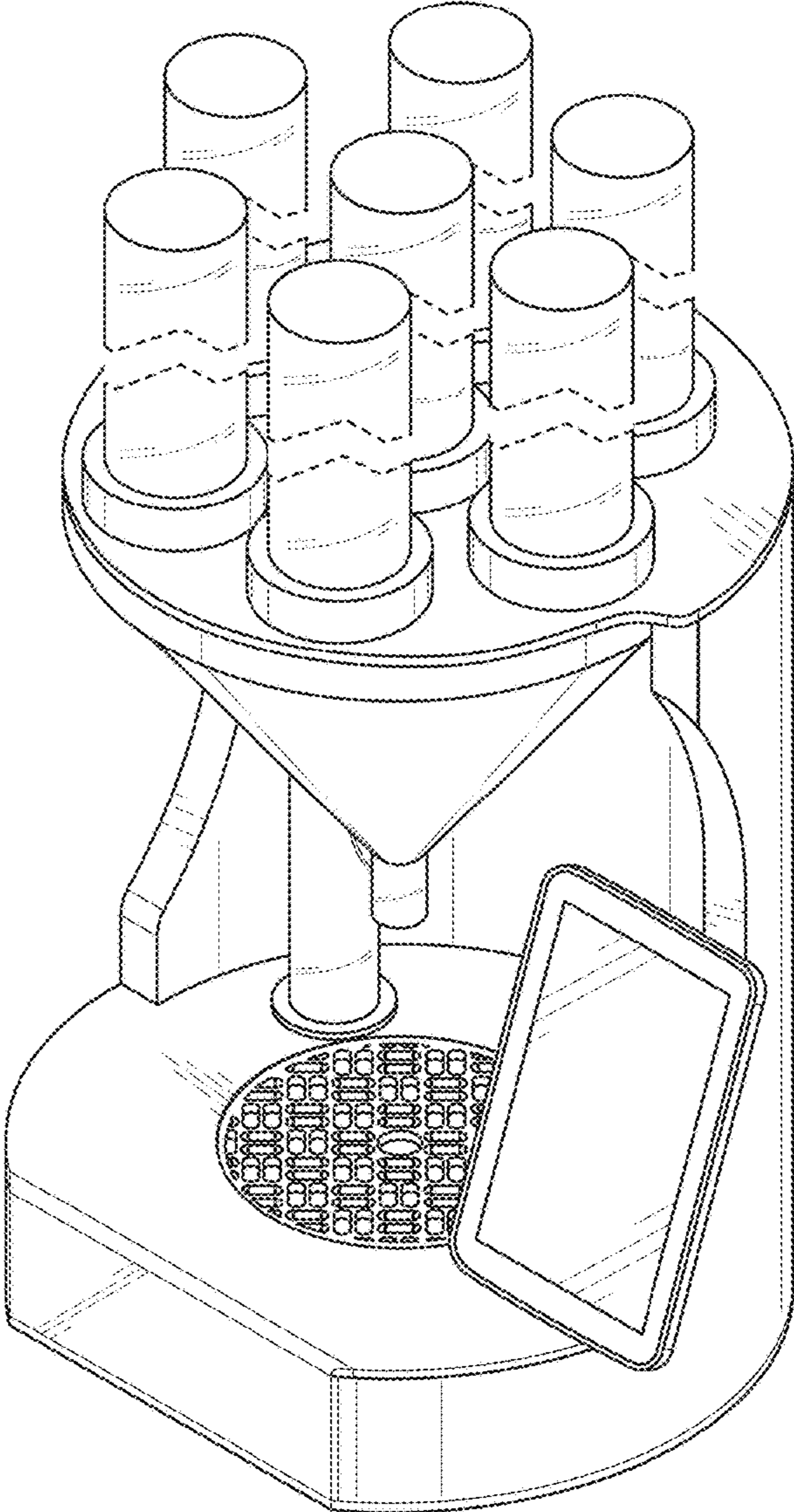


FIG. 1

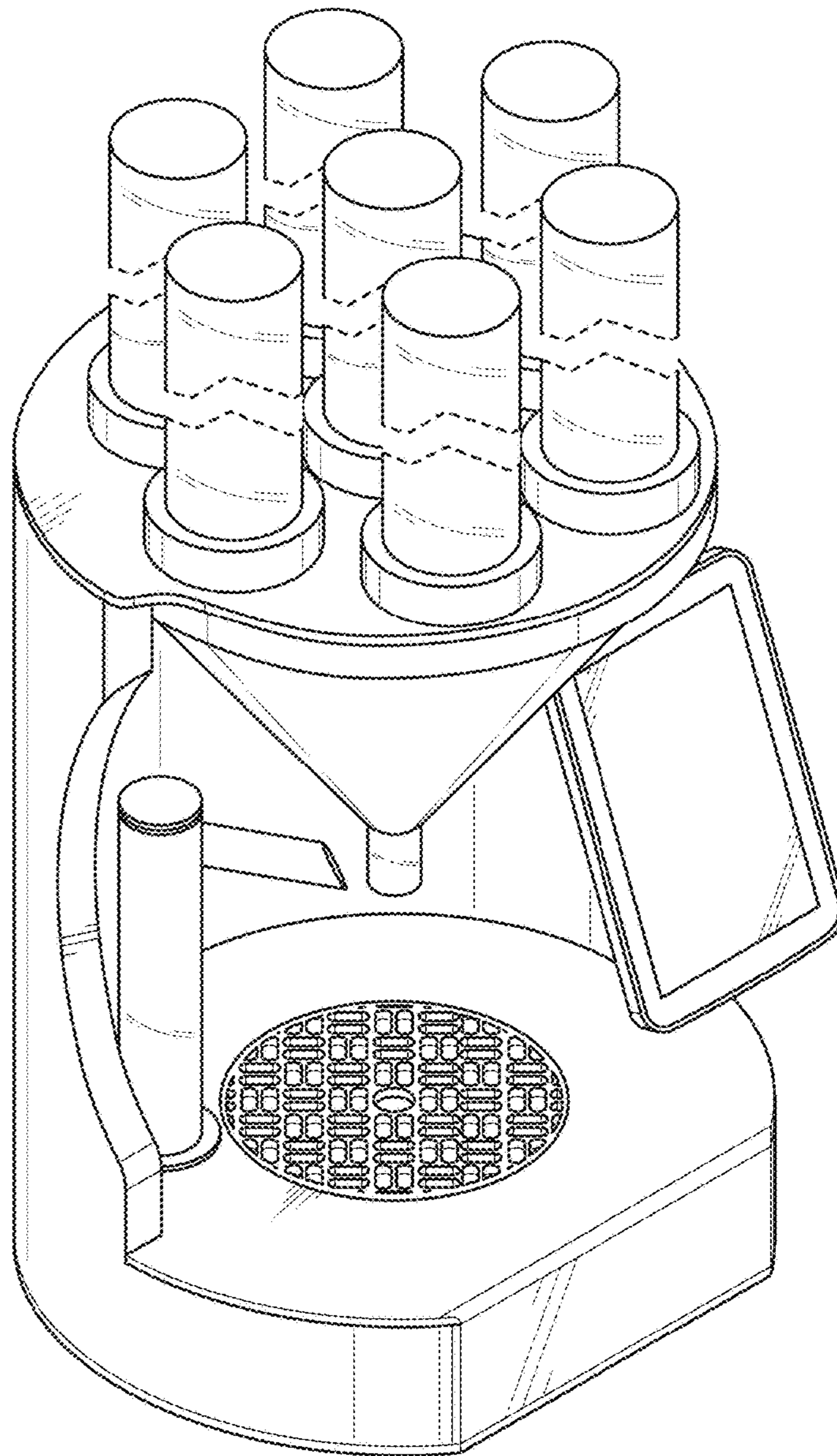


FIG. 2

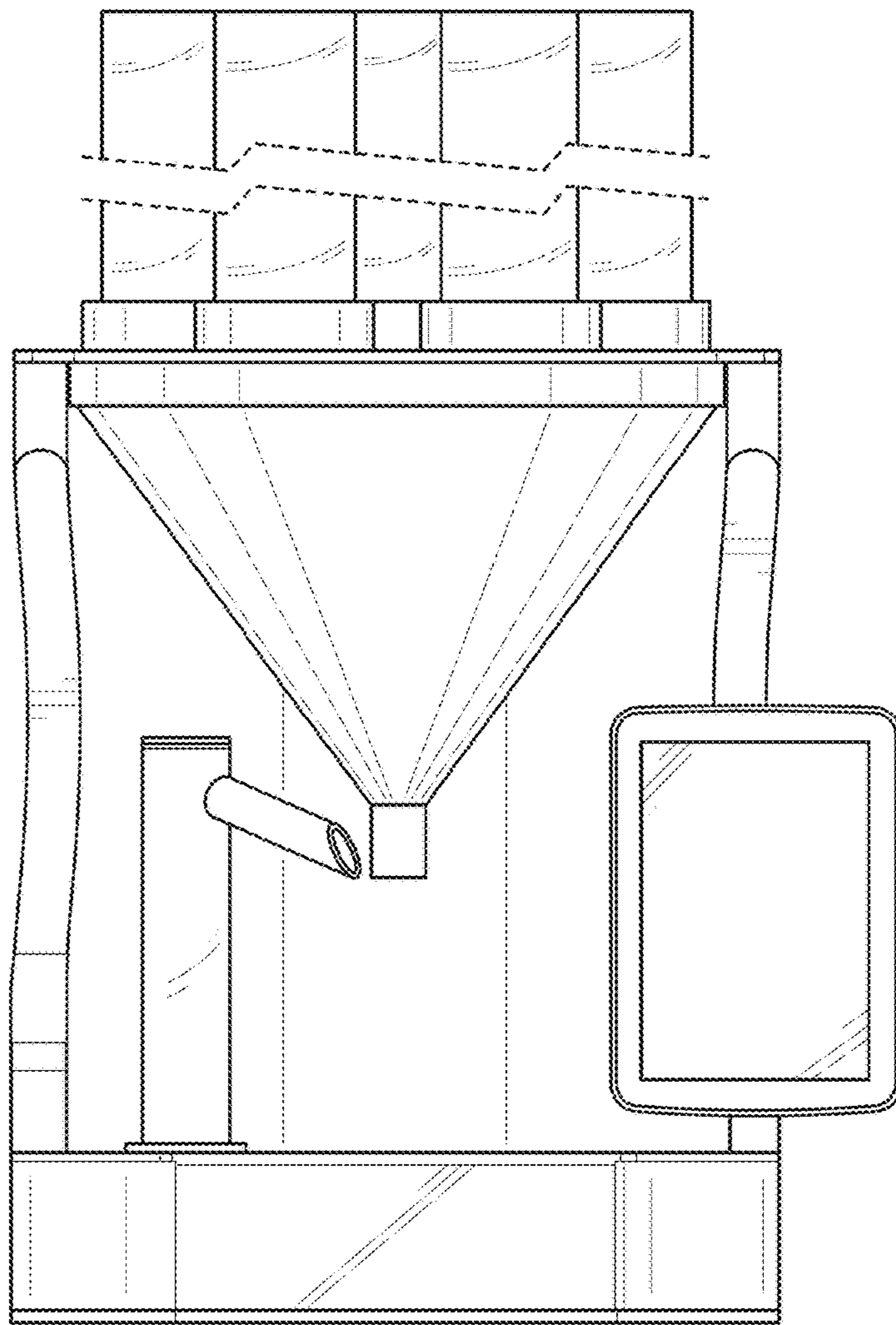


FIG. 3

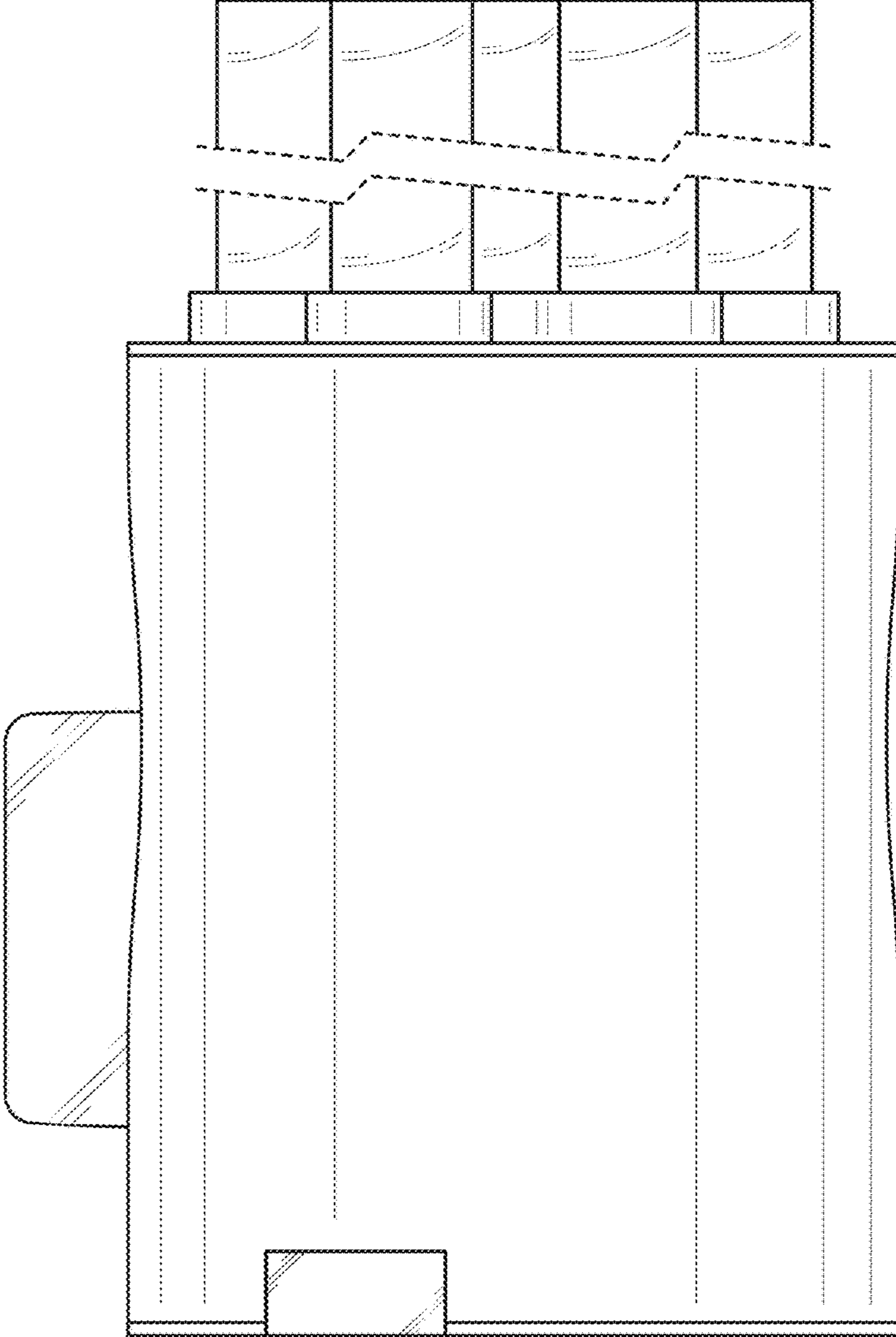


FIG. 4

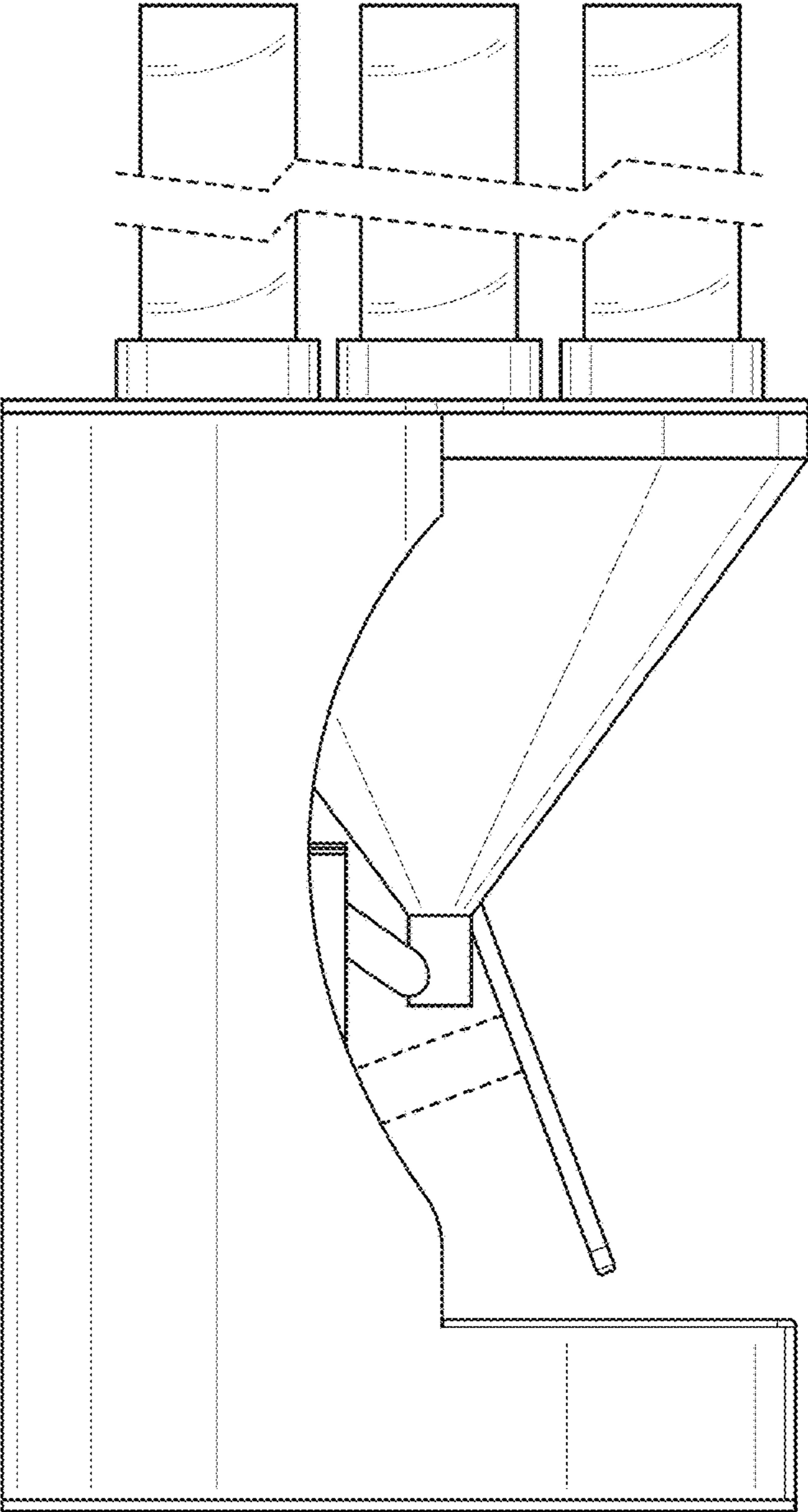


FIG. 5

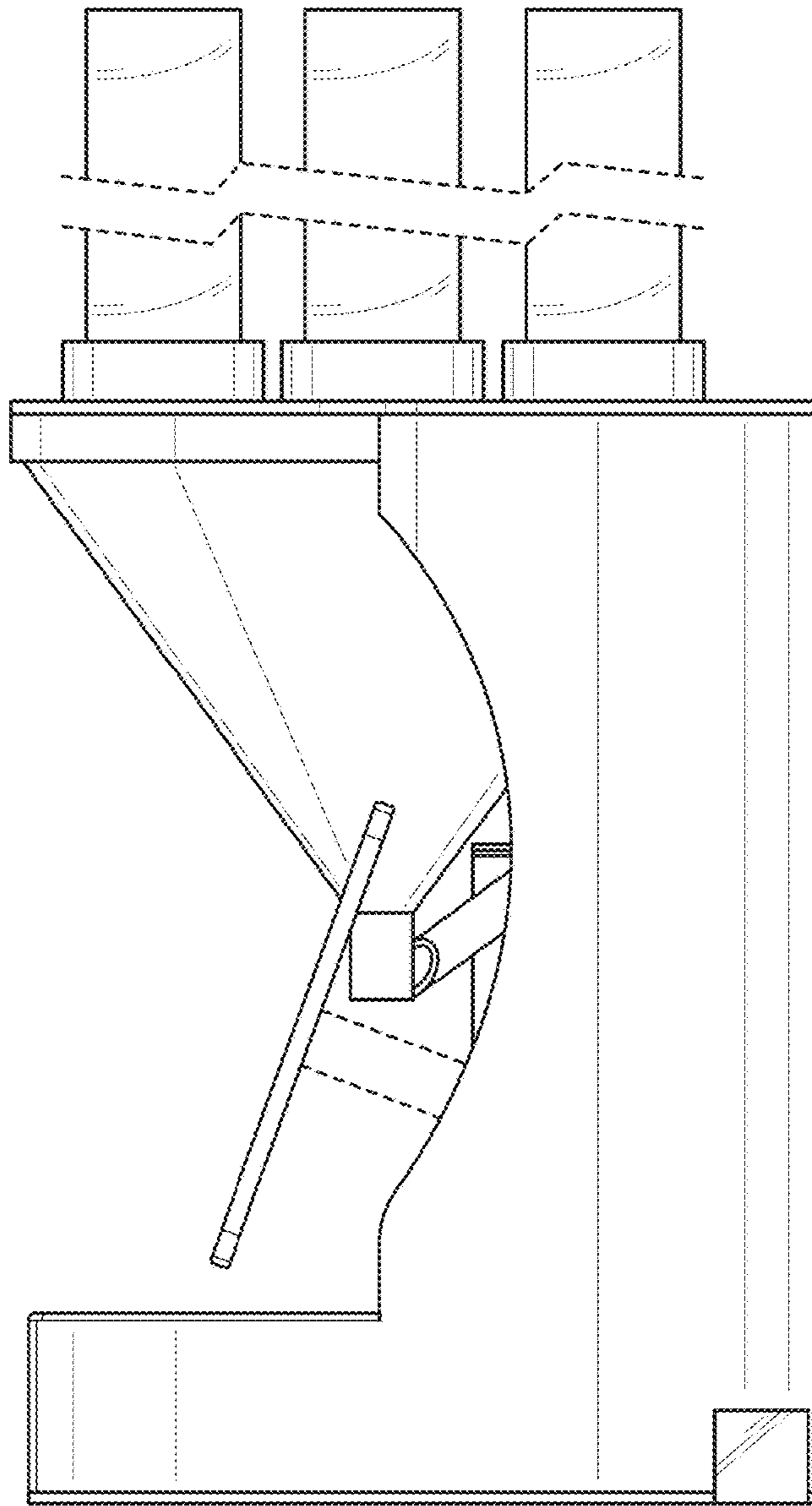


FIG. 6

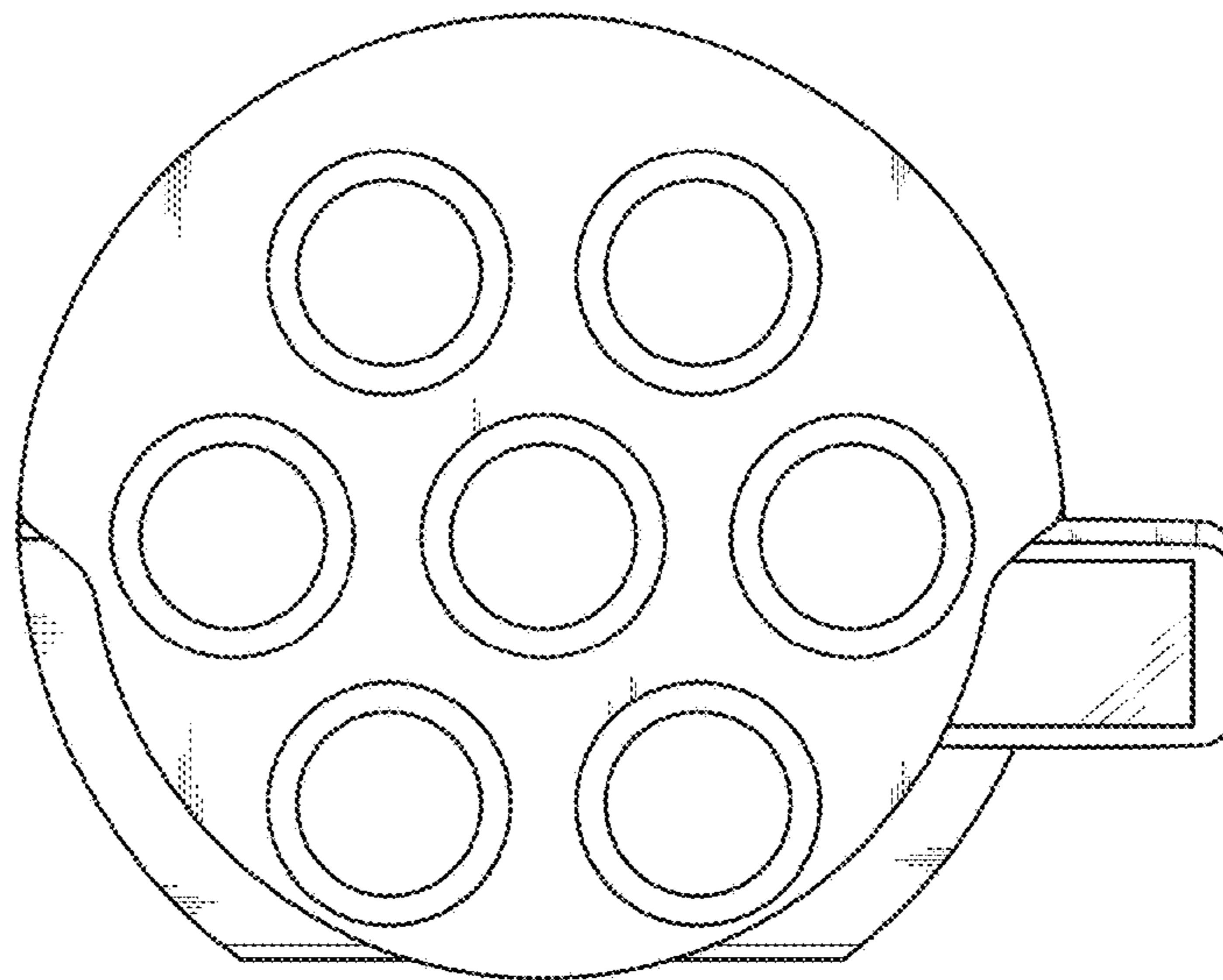


FIG. 7

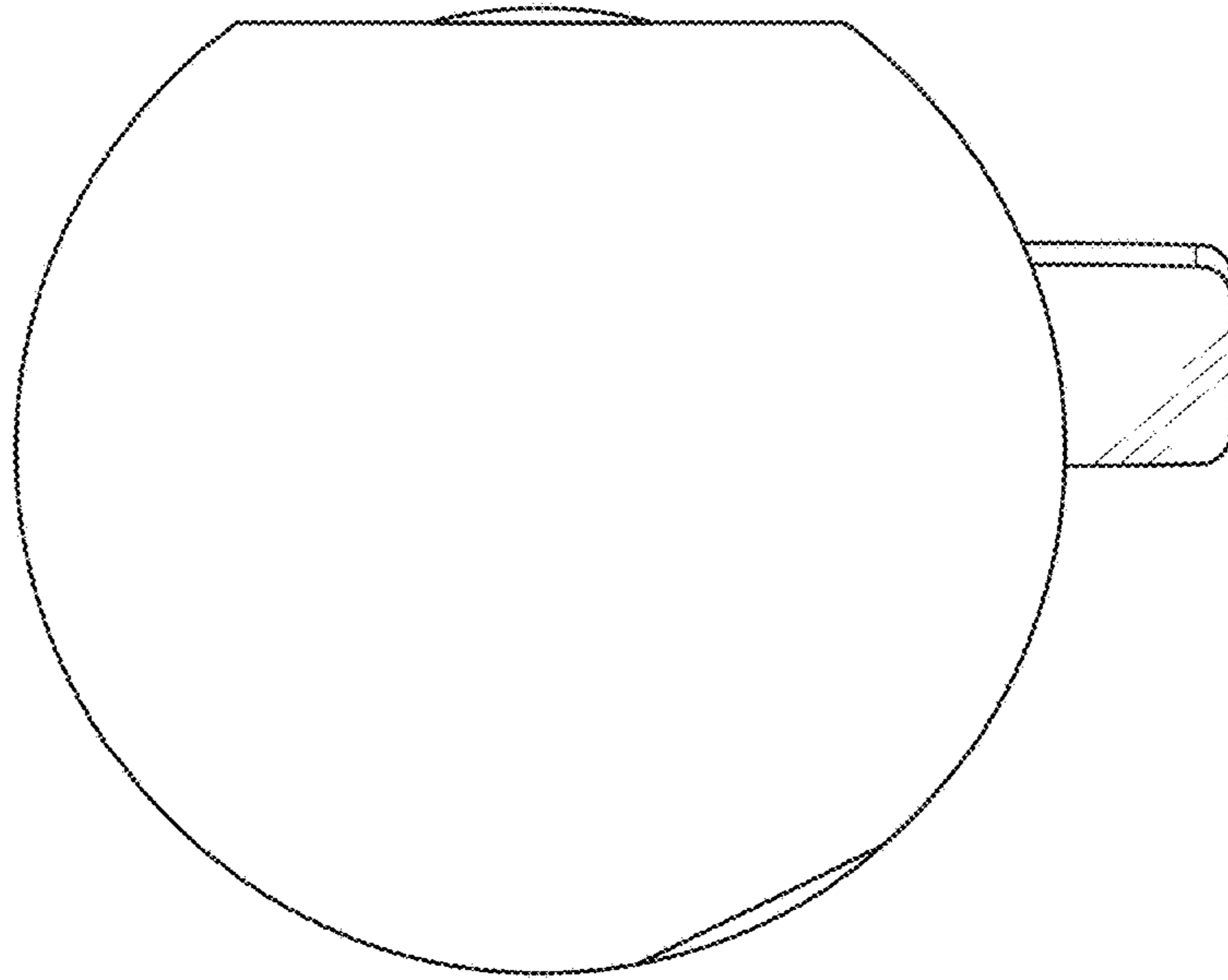


FIG. 8