



US00D859903S

(12) **United States Design Patent** (10) **Patent No.:** **US D859,903 S**  
**Powell** (45) **Date of Patent:** **\*\* Sep. 17, 2019**

(54) **ELECTRIC COFFEE MAKER WITH ITS COFFEEPOT**

(71) Applicant: **SEB**, Selongey (FR)

(72) Inventor: **Dick Powell**, London (GB)

(\*\*) Term: **15 Years**

(21) Appl. No.: **35/504,768**

(22) Filed: **Mar. 22, 2018**

(80) **Hague Agreement Data**

Int. Filing Date: **Mar. 22, 2018**

Int. Reg. No.: **DM/100551**

Int. Reg. Date: **Mar. 22, 2018**

Int. Reg. Pub. Date: **Apr. 20, 2018**

(30) **Foreign Application Priority Data**

Oct. 31, 2017 (FR) ..... 2017-4979

(51) **LOC (12) Cl.** ..... **07-01**

(52) **U.S. Cl.**  
USPC ..... **D7/309**

(58) **Field of Classification Search**  
USPC ..... D7/306-311, 305, 300, 312, 313,  
D7/397-400

CPC .. A47J 31/40; A47J 31/42; A47J 31/10; A47J  
31/24; A47J 31/4485

See application file for complete search history.

(56) **References Cited**

**U.S. PATENT DOCUMENTS**

D343,758 S 2/1994 Beeren  
D359,413 S \* 6/1995 Storsberg ..... D7/309  
D371,270 S 7/1996 Bell et al.  
D378,970 S \* 4/1997 Brady ..... D7/309  
D379,132 S \* 5/1997 Brady ..... D7/309  
D424,360 S \* 5/2000 Schwarz ..... D7/309  
D432,848 S \* 10/2000 Brady ..... D7/309

D442,012 S \* 5/2001 Haring ..... D7/309  
D453,656 S \* 2/2002 Byler ..... D7/309  
D462,226 S 9/2002 Williamson et al.  
D479,089 S \* 9/2003 Yao ..... D7/311  
D481,902 S 11/2003 O'Connor et al.  
D511,066 S 11/2005 Garner  
D530,138 S \* 10/2006 Sumser ..... D7/309  
D545,110 S 6/2007 Julemont  
D545,608 S \* 7/2007 Picozza ..... D7/309  
D546,112 S 7/2007 Rorke et al.  
D550,499 S 9/2007 Argabrite et al.  
D571,598 S 6/2008 Moore  
D583,611 S \* 12/2008 Moline ..... D7/309  
D586,171 S 2/2009 Picozza et al.  
D594,688 S \* 6/2009 Hammad ..... D7/306

(Continued)

**OTHER PUBLICATIONS**

Moulinex Coffee Maker FG360E11, Amazon [online], date first available Mar. 28, 2016, [retrieved on Feb. 17, 2019]. Retrieved from the Internet, URL: [https://www.amazon.fr/Cafeti%C3%A8re-Moulinex-FG360E11-SUBITO-ROUGE/dp/B016QQ3OSG.\\*](https://www.amazon.fr/Cafeti%C3%A8re-Moulinex-FG360E11-SUBITO-ROUGE/dp/B016QQ3OSG.*)

*Primary Examiner* — Sheryl Lane

*Assistant Examiner* — Nicole C Shiflet

(57) **CLAIM**

The ornamental design for an electric coffee maker with its coffeepot, as shown and described.

**DESCRIPTION**

1. Electric coffee maker with its coffeepot

1.1 : Back

1.2 : Left

1.3 : Right

1.4 : Front

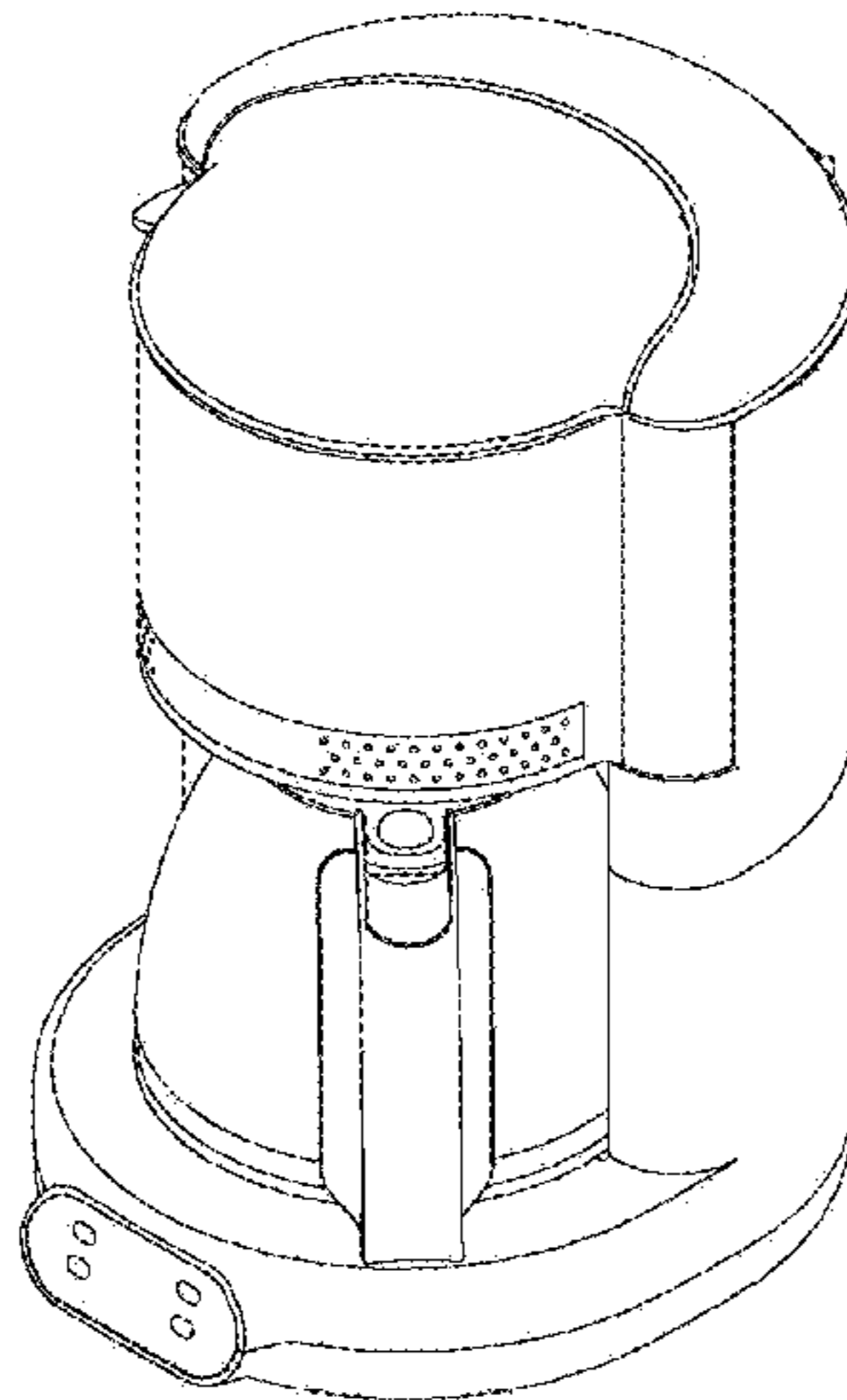
1.5 : Bottom

1.6 : Top

1.7 : Perspective

The portions of the electric coffee maker with its coffeepot shown by grey coloring form no part of the claimed design.

**1 Claim, 7 Drawing Sheets**



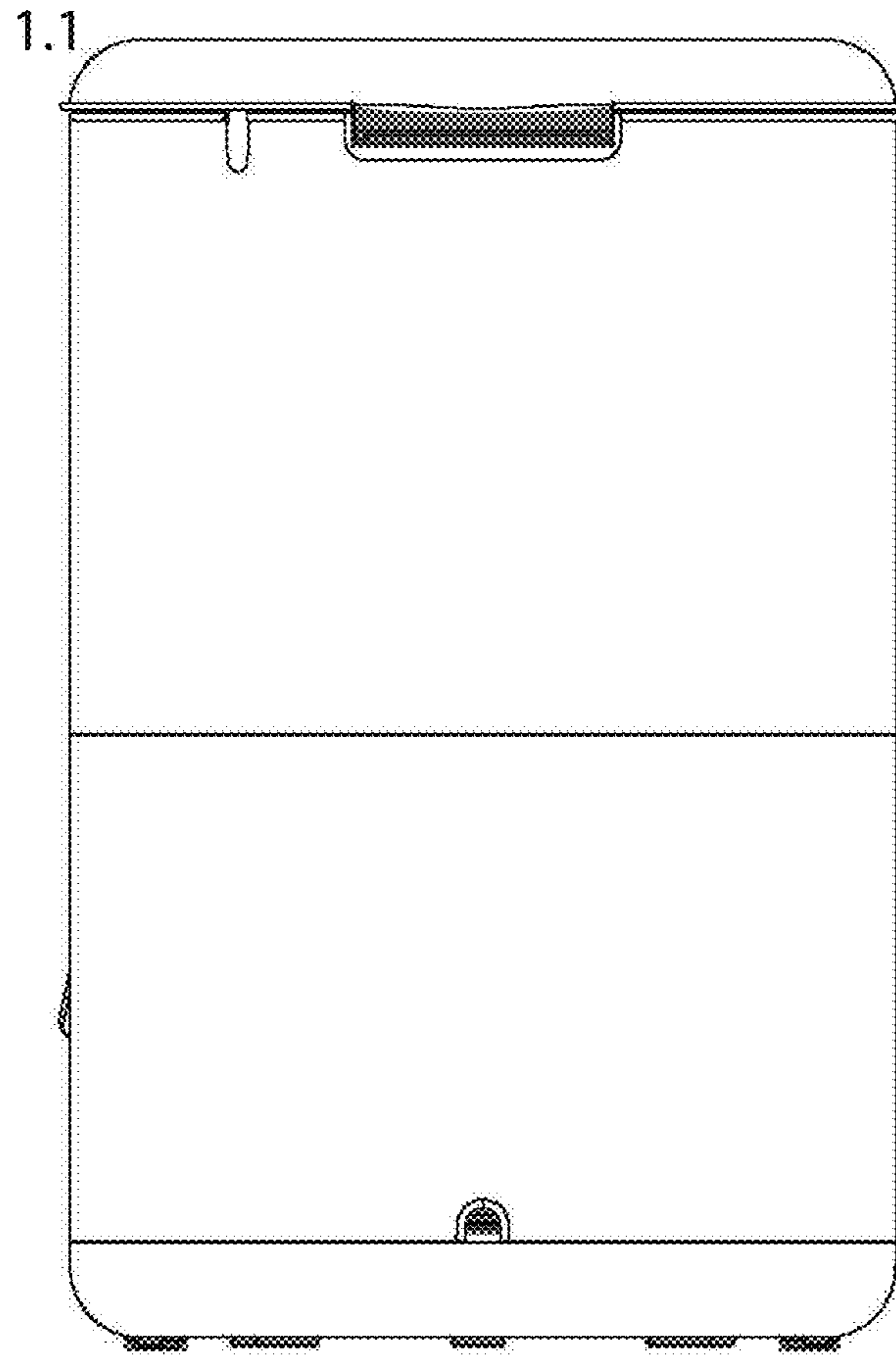
(56)

**References Cited**

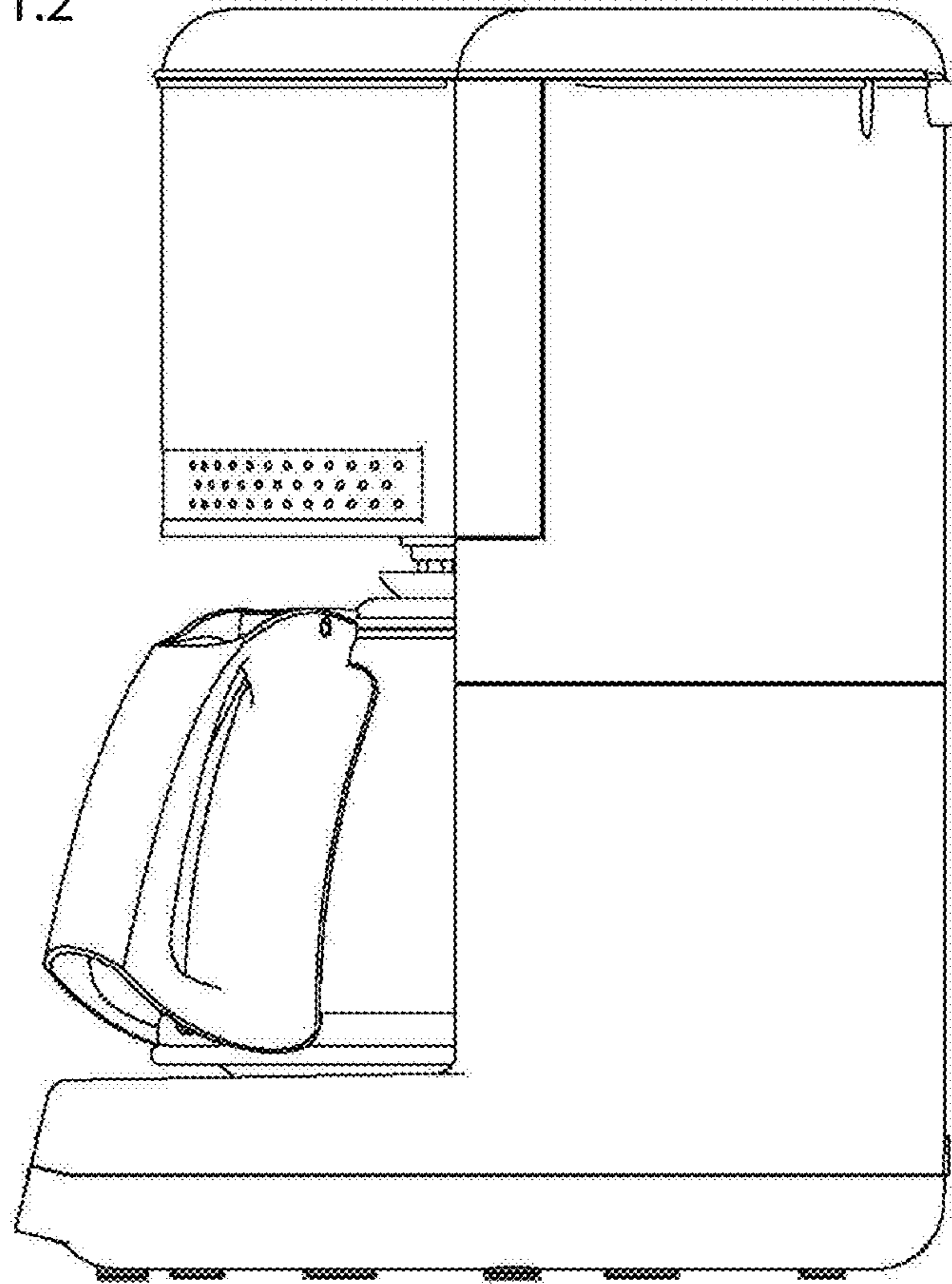
U.S. PATENT DOCUMENTS

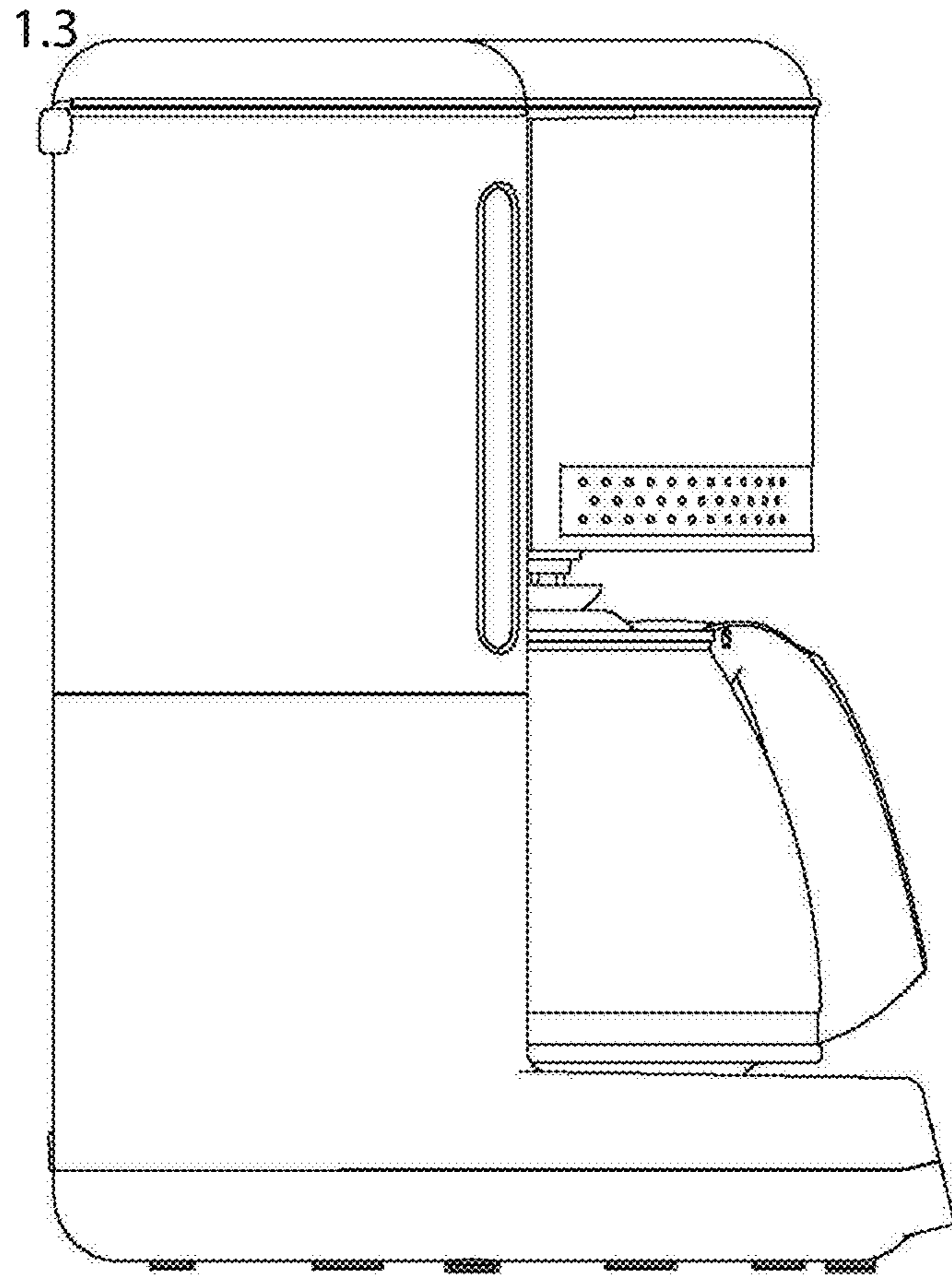
D620,301 S	7/2010	Picozza et al.	
D620,302 S	7/2010	Picozza et al.	
D627,188 S	11/2010	Picozza et al.	
D628,007 S	11/2010	Di Bitonto	
D639,598 S *	6/2011	Eckholm .....	D7/309
D673,804 S	1/2013	De'Longhi	
D677,510 S	3/2013	Tetreault	
D694,566 S	12/2013	Harthoorn et al.	
D719,776 S	12/2014	Kunz	

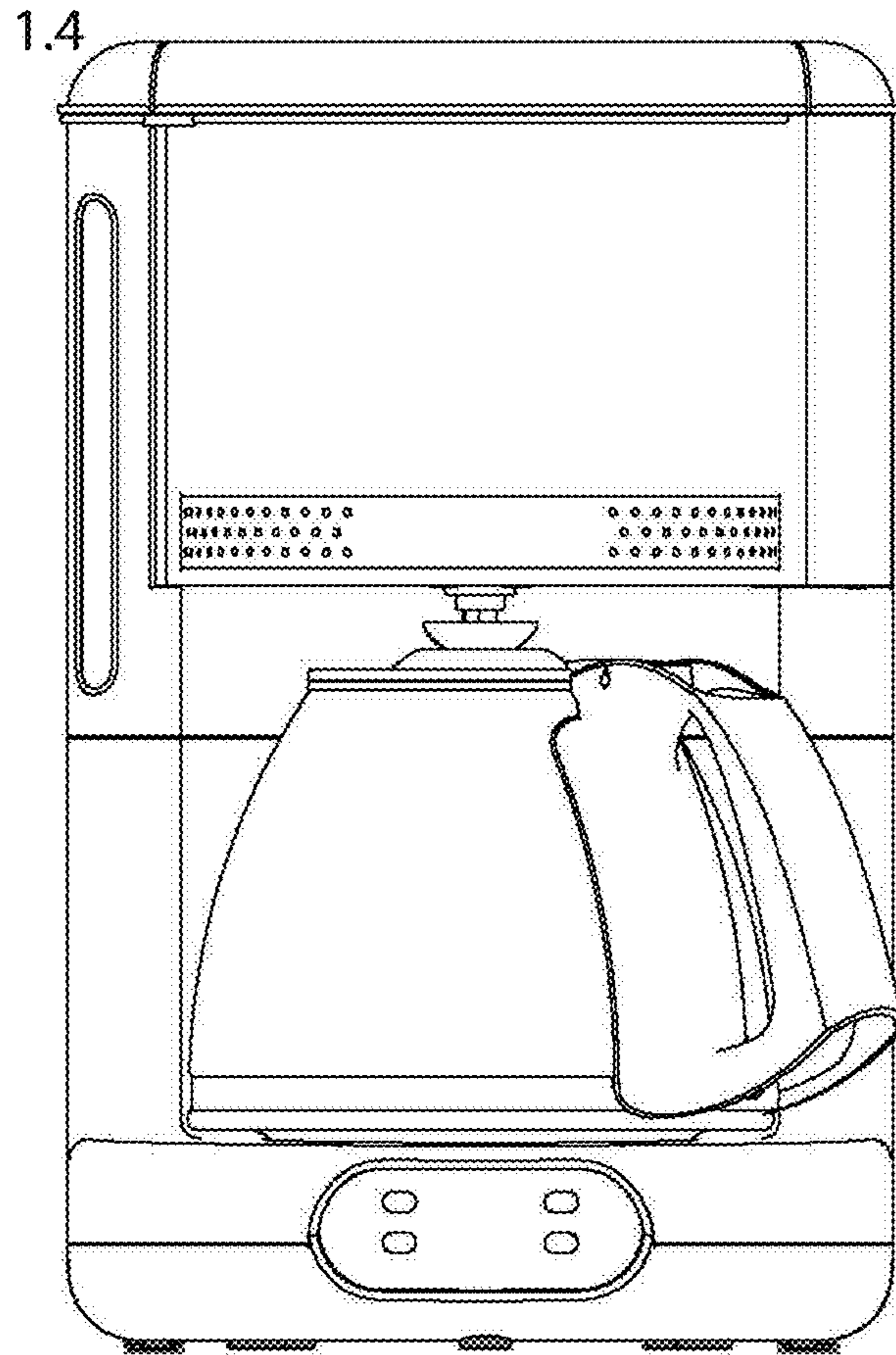
\* cited by examiner

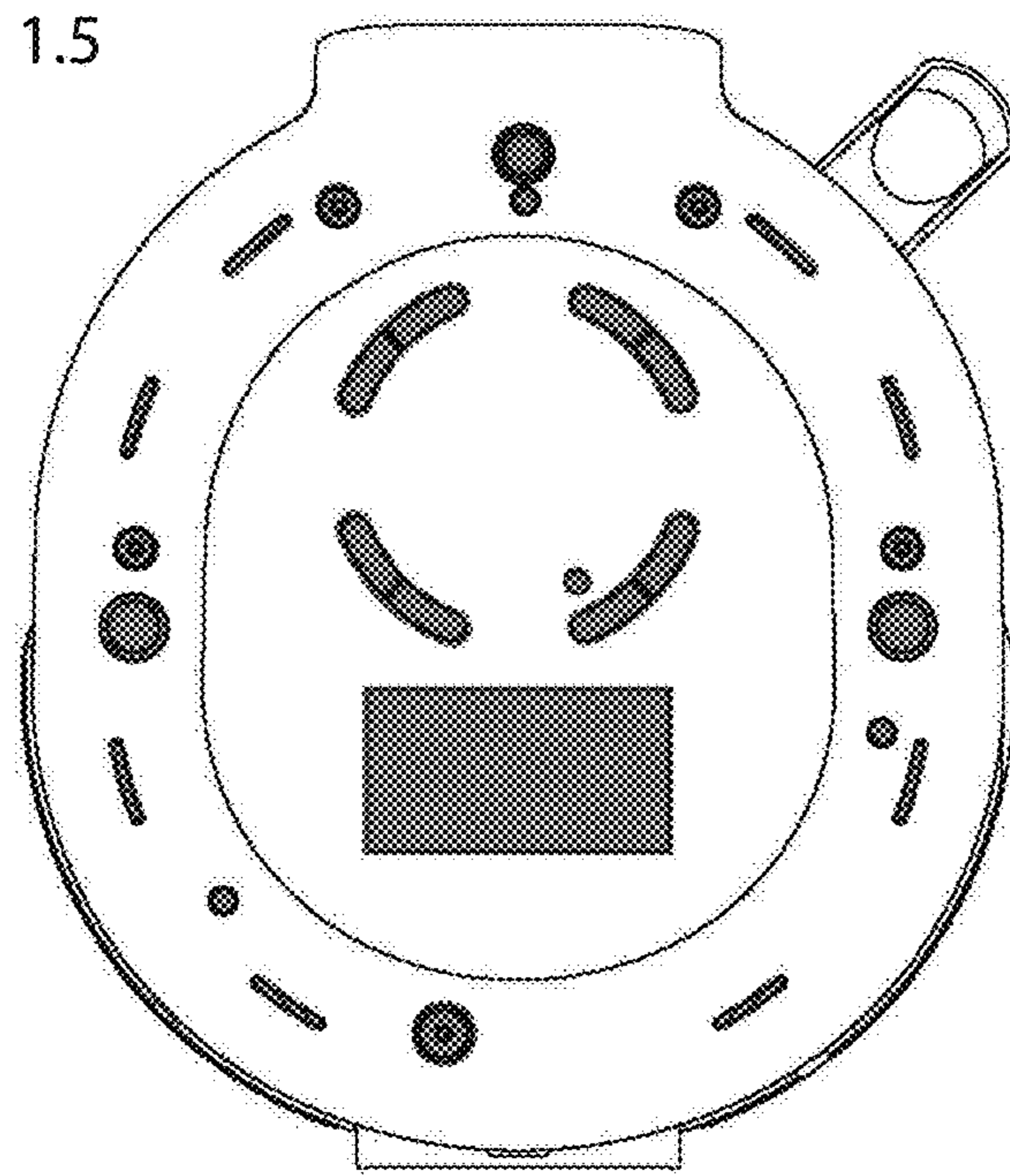


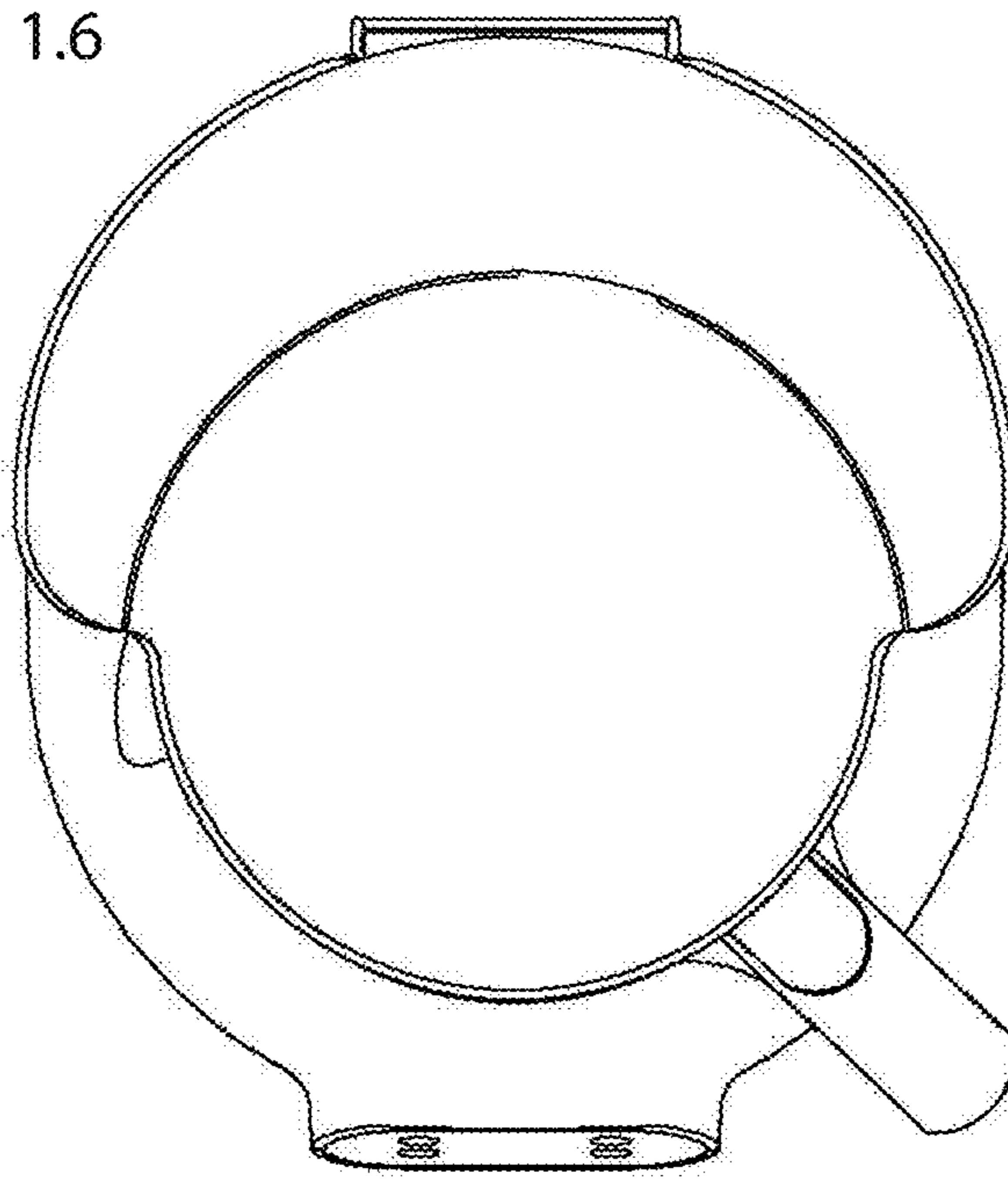
1.2













1.7

