



US00D859902S

(12) **United States Design Patent**  
**van de Goor**

(10) **Patent No.:** **US D859,902 S**

(45) **Date of Patent:** **\*\* Sep. 17, 2019**

(54) **BREWING DEVICE**

(71) Applicant: **STARBUCKS CORPORATION**,  
Seattle, WA (US)

(72) Inventor: **Mike Willem Frank van de Goor**,  
Harderwijk (NL)

(73) Assignee: **Starbucks Corporation**, Seattle, WA  
(US)

(\*\*) Term: **15 Years**

(21) Appl. No.: **29/611,383**

(22) Filed: **Jul. 20, 2017**

(51) **LOC (12) Cl.** ..... **07-01**

(52) **U.S. Cl.**  
USPC ..... **D7/307; D7/308; D7/309; D7/310**

(58) **Field of Classification Search**  
USPC ..... **D7/300, 313, 305, 306, 308, 307, 309,**  
**D7/310; D10/41**  
CPC ..... **A47J 31/007; A47J 31/06; A47J 31/462**  
See application file for complete search history.

(56) **References Cited**

**U.S. PATENT DOCUMENTS**

5,245,914 A \* 9/1993 Vitous ..... A47J 31/007  
99/280  
D489,932 S \* 5/2004 Picozza ..... D7/306  
7,565,860 B1 \* 7/2009 Liu ..... A47J 31/10  
99/291  
D606,805 S \* 12/2009 Neace ..... D7/399  
D645,064 S \* 9/2011 Basta ..... D15/78

D695,065 S \* 12/2013 Seymour ..... D7/300  
9,717,365 B2 \* 8/2017 Geissler ..... A47J 31/3676  
9,844,296 B2 \* 12/2017 Stein ..... A47J 31/462  
D823,050 S \* 7/2018 Neace, Jr. .... D7/399  
D825,258 S \* 8/2018 Majka ..... D7/397  
10,080,458 B2 \* 9/2018 Bond ..... A47J 31/06  
2009/0285471 A1 \* 11/2009 Wall ..... G06K 9/00986  
382/137  
2018/0242777 A1 \* 8/2018 Kim ..... A47J 31/06

\* cited by examiner

*Primary Examiner* — Marianne N Pandozzi

(74) *Attorney, Agent, or Firm* — Knobbe Martens Olson  
& Bear LLP

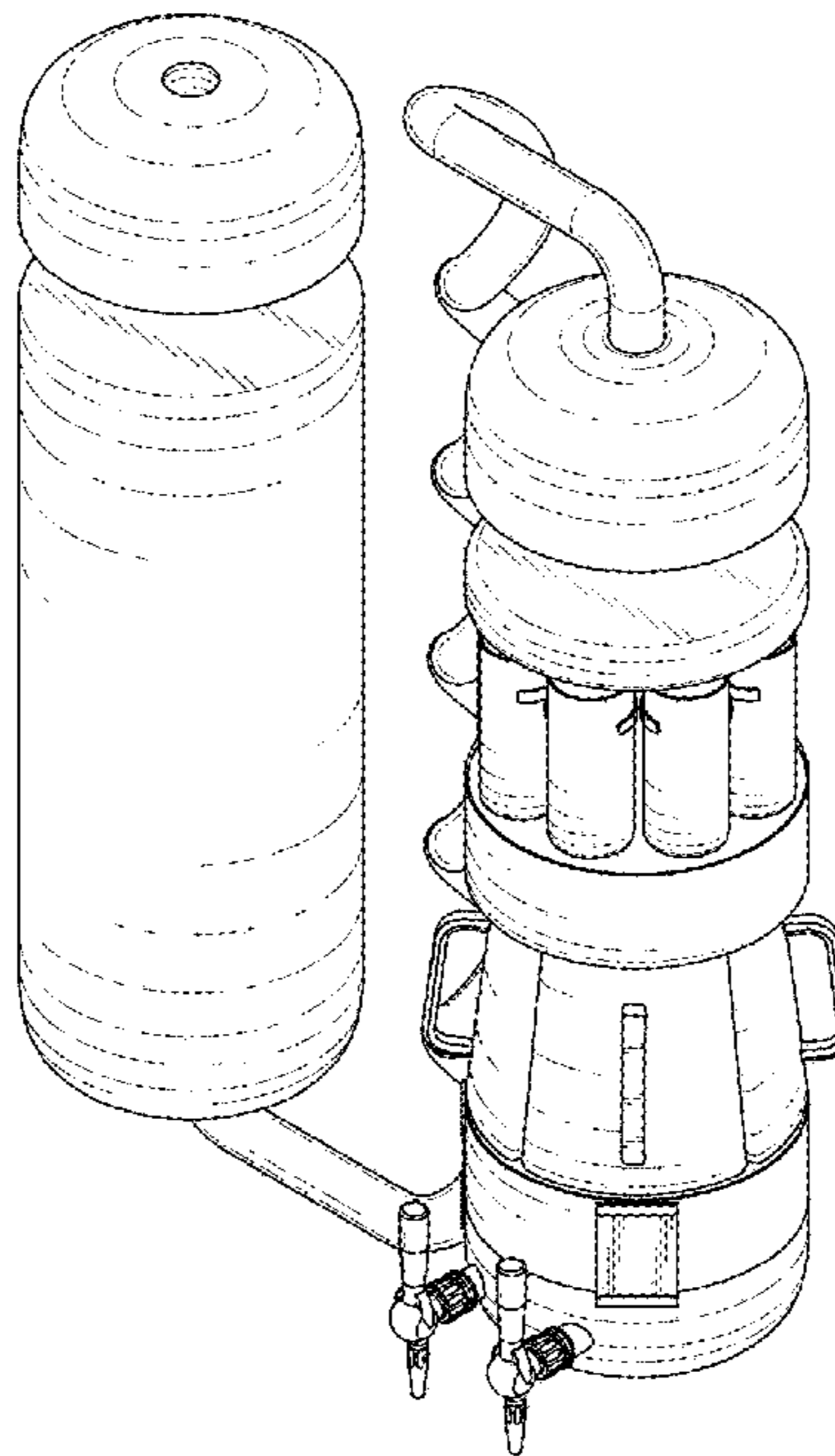
(57) **CLAIM**

The ornamental design for a brewing device, as shown and described.

**DESCRIPTION**

FIG. 1 is a top, front, and ride side perspective view of a brewing device showing my design;  
FIG. 2 is a back, top, and left side perspective view thereof;  
FIG. 3 is a back, top, and right side perspective view thereof;  
FIG. 4 is a top, front, and left side perspective view thereof;  
FIG. 5 is a front view thereof;  
FIG. 6 is a rear view thereof;  
FIG. 7 is a left side view thereof;  
FIG. 8 is a right side view thereof;  
FIG. 9 is a top view thereof; and,  
FIG. 10 is a bottom view thereof.

**1 Claim, 9 Drawing Sheets**



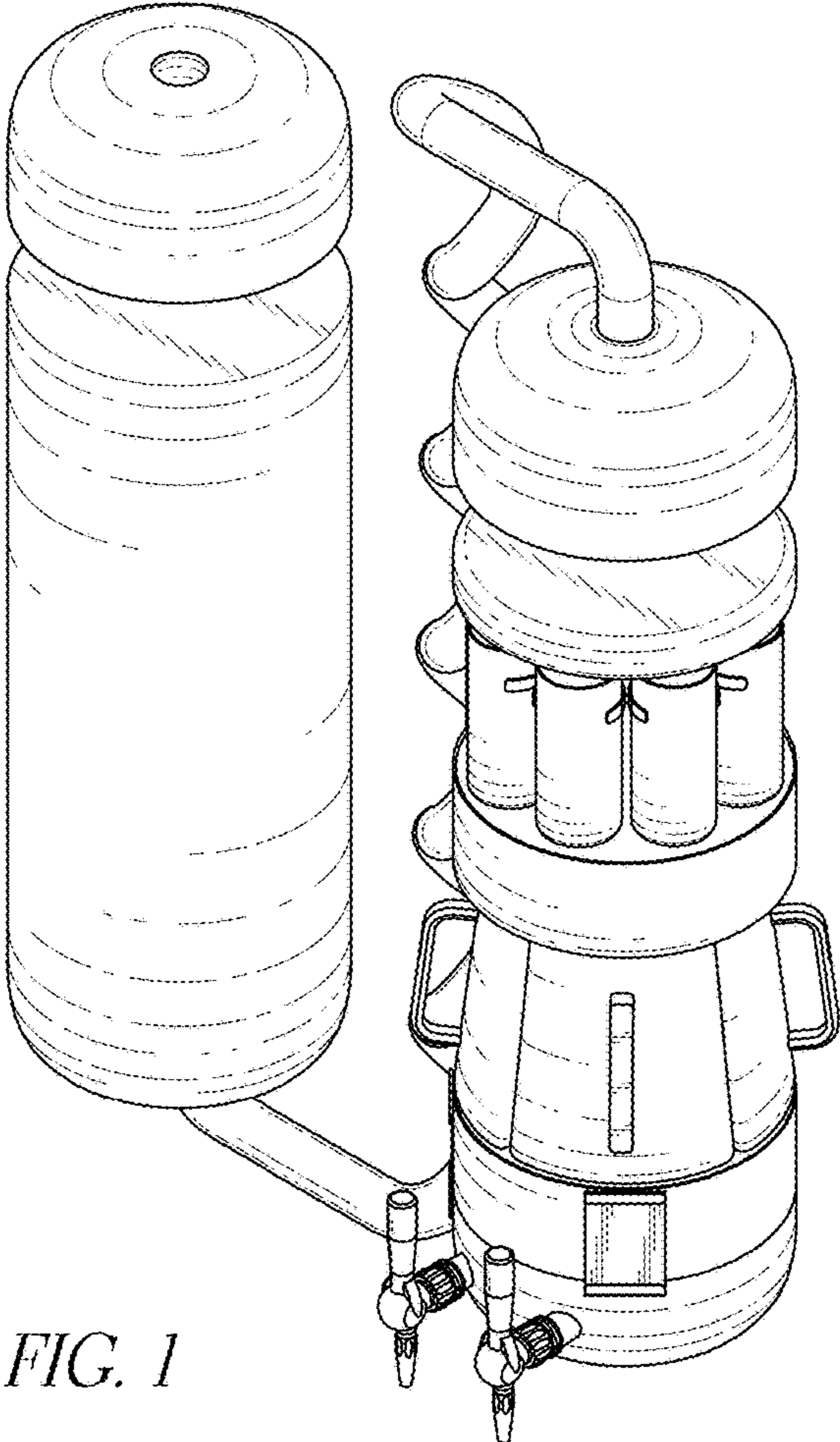


FIG. 1

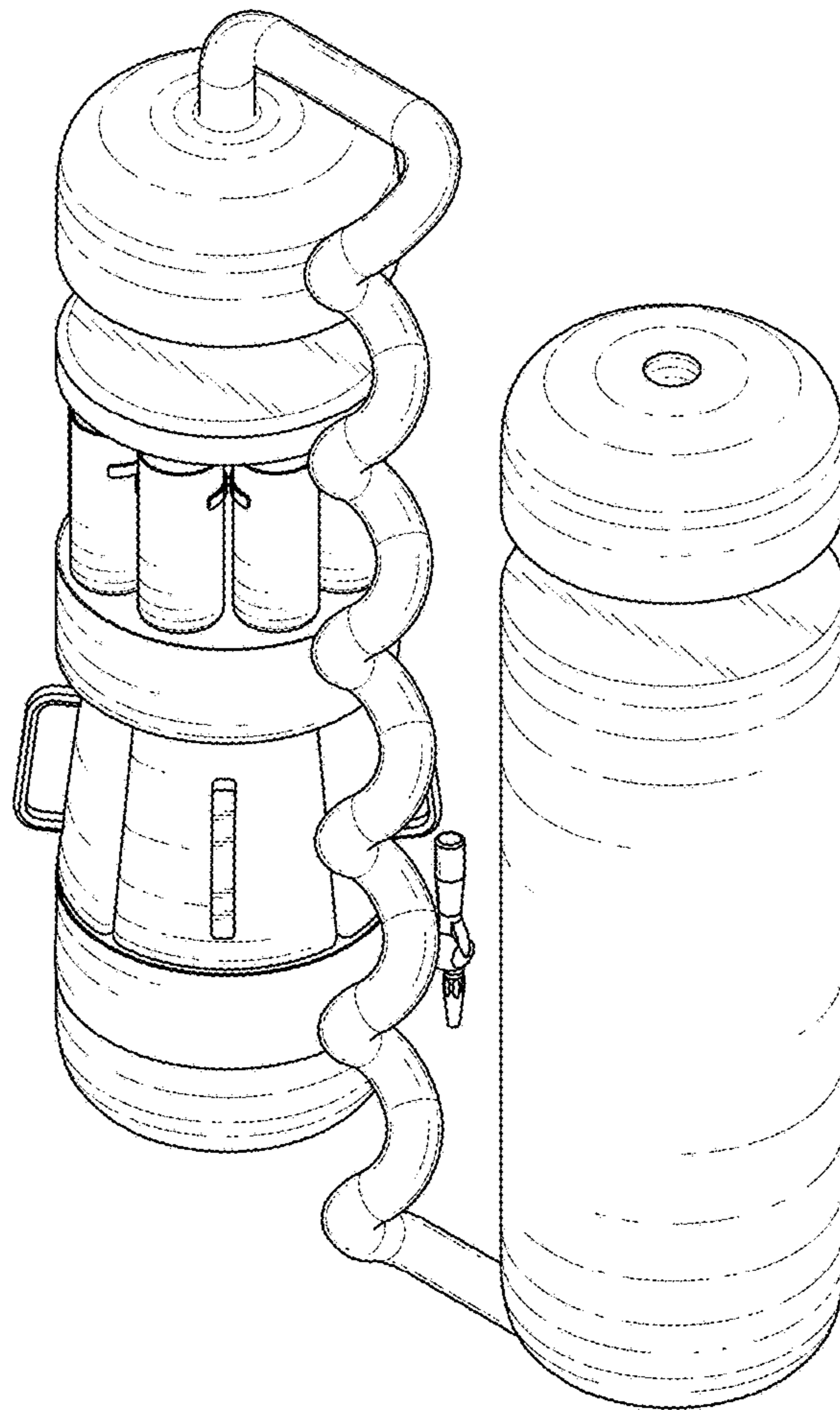


FIG. 2

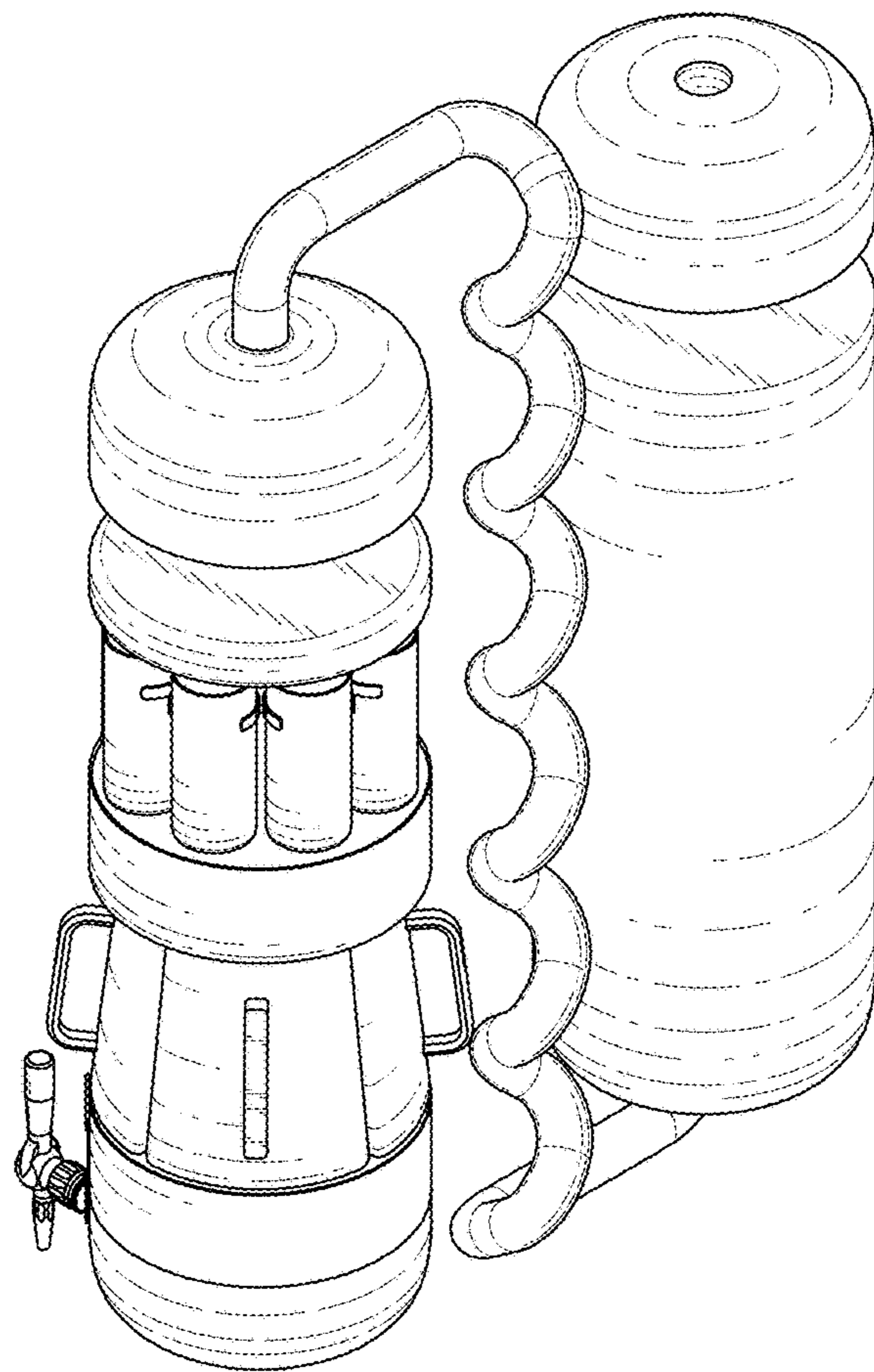


FIG. 3

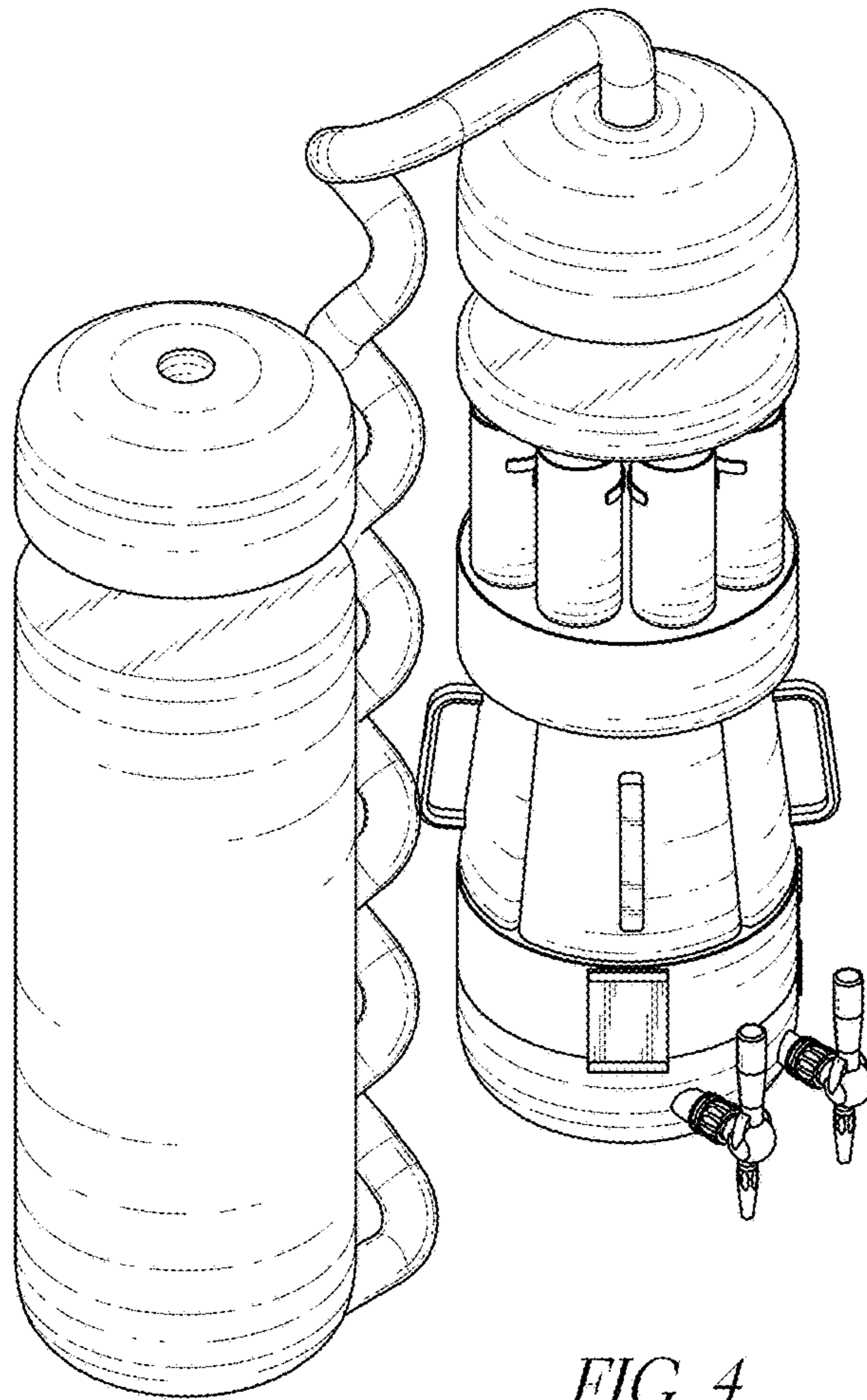


FIG. 4

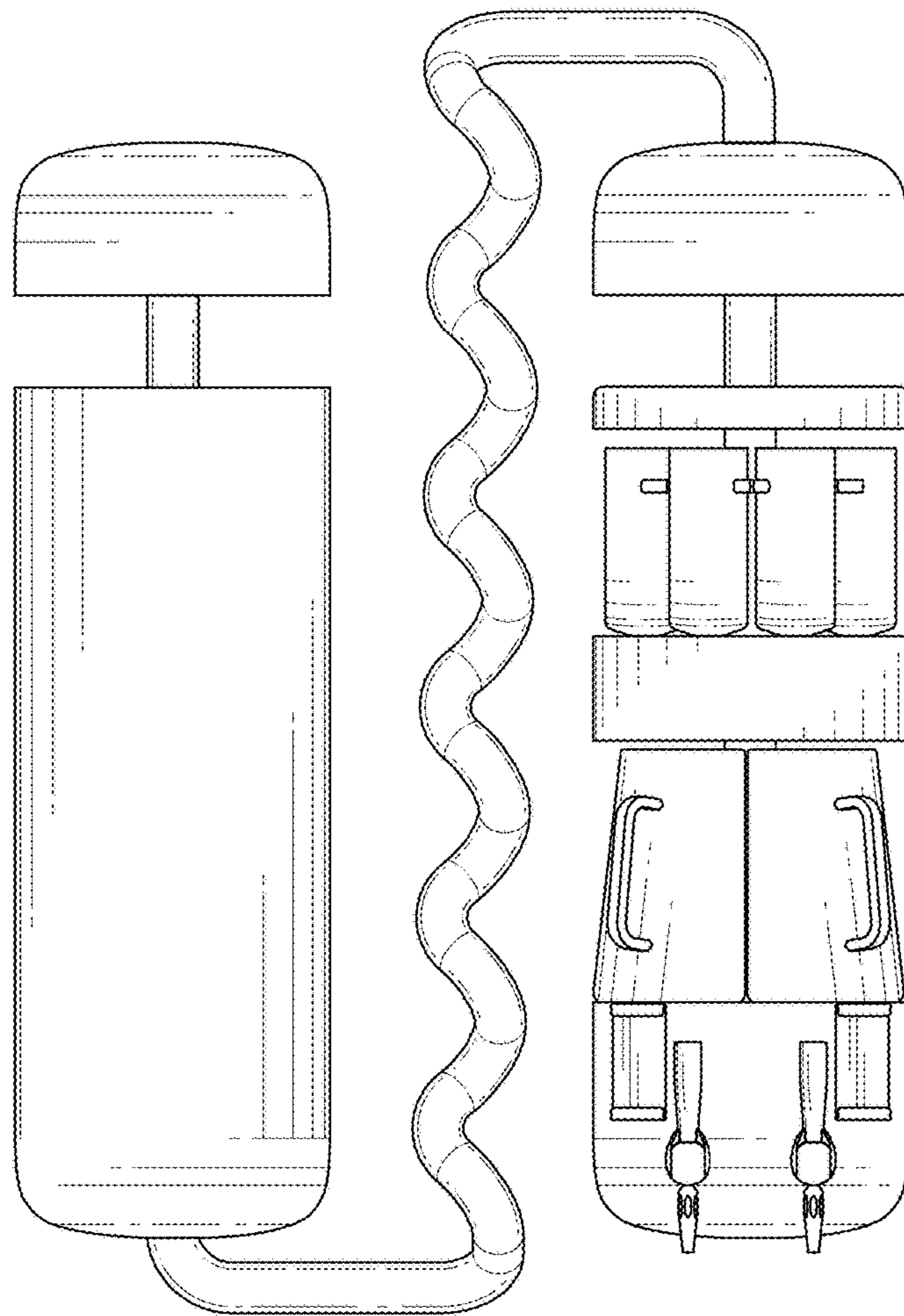


FIG. 5

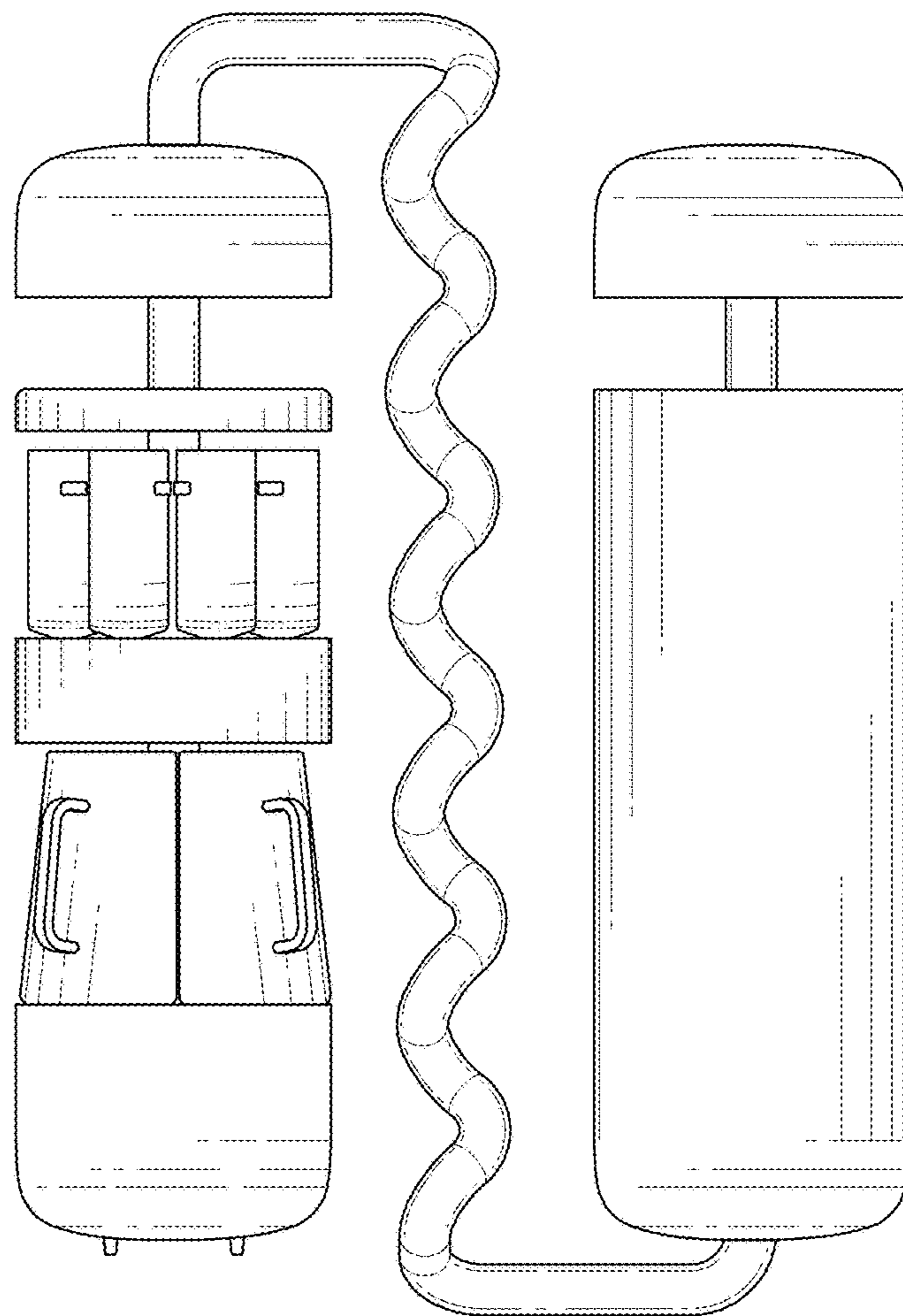
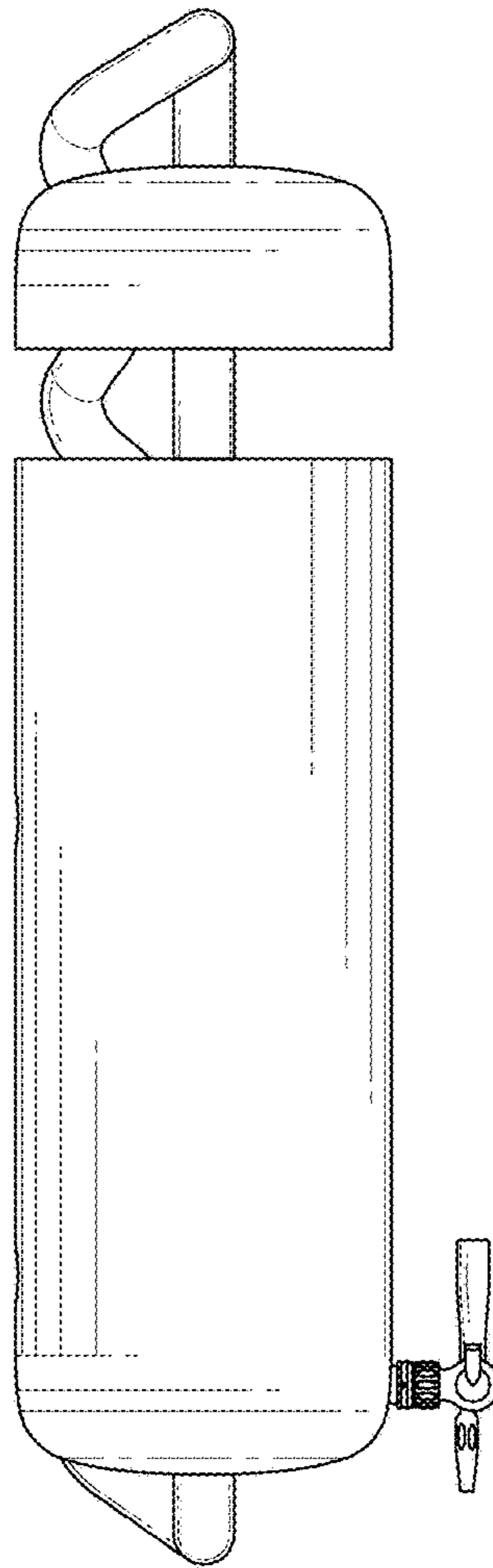


FIG. 6



*FIG. 7*



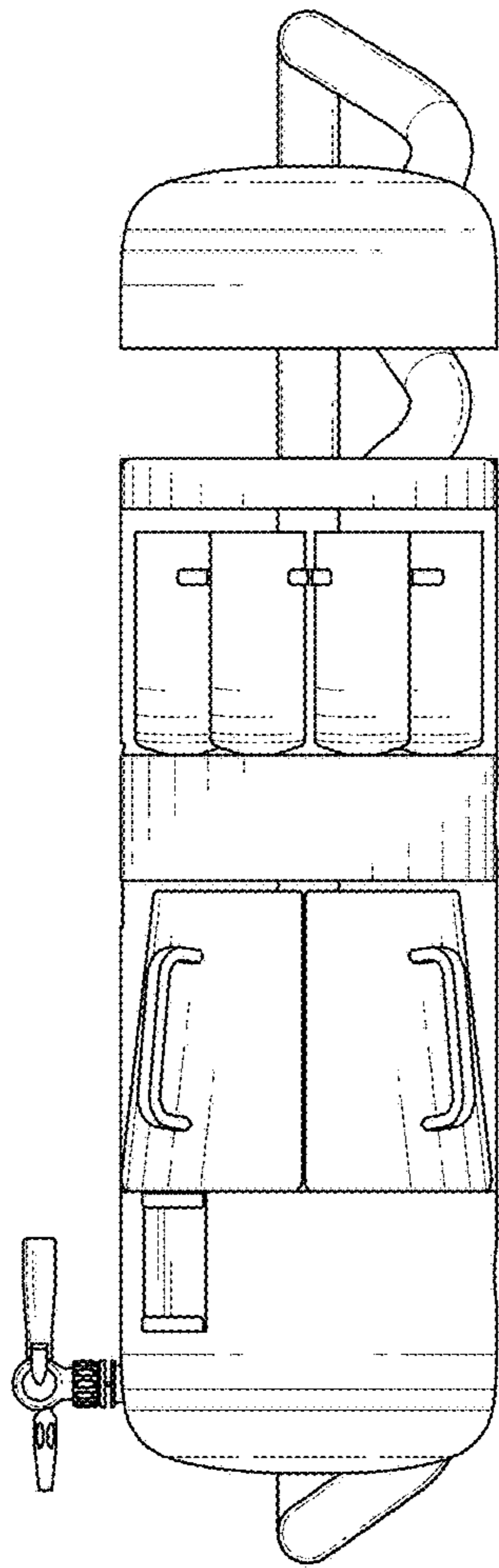


FIG. 8

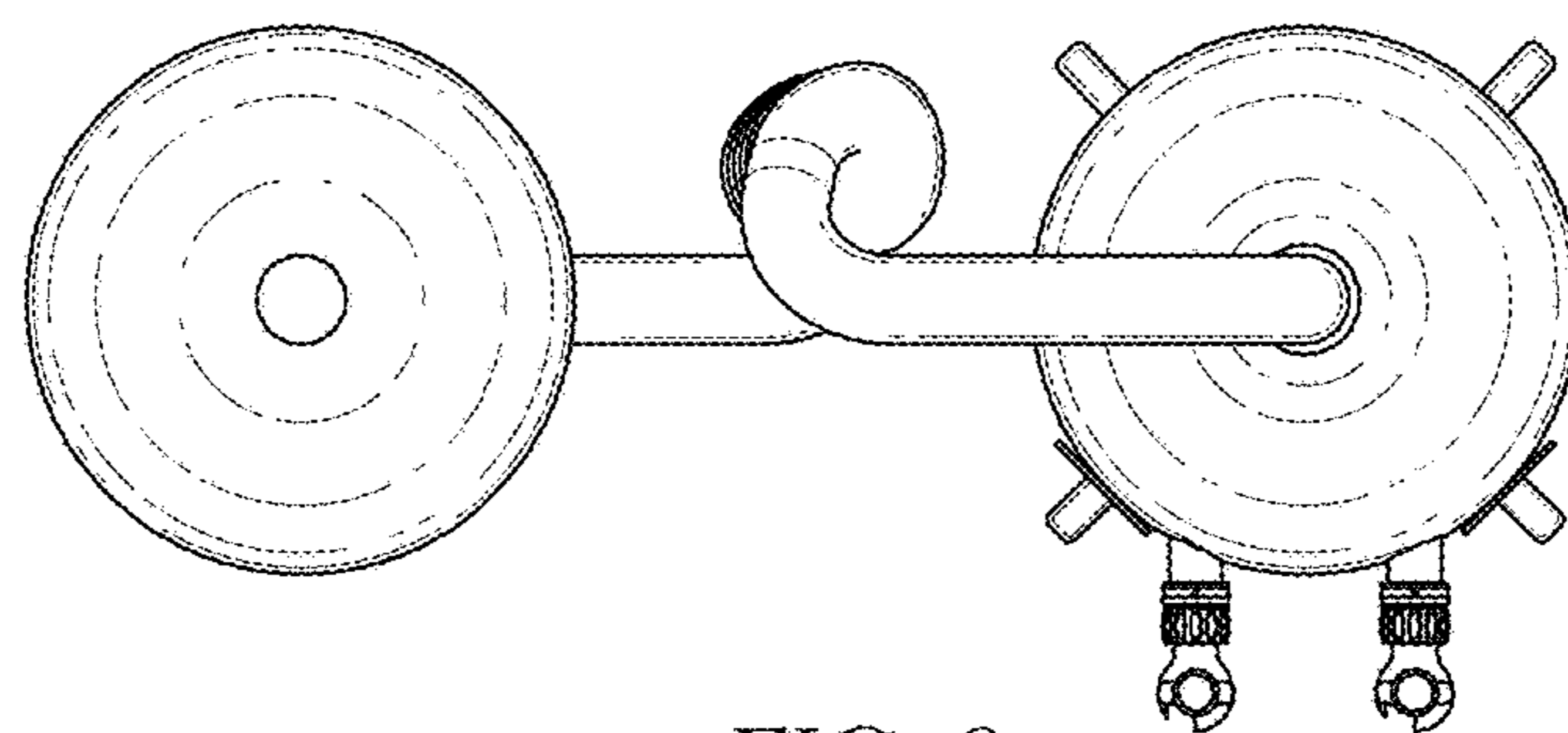


FIG. 9

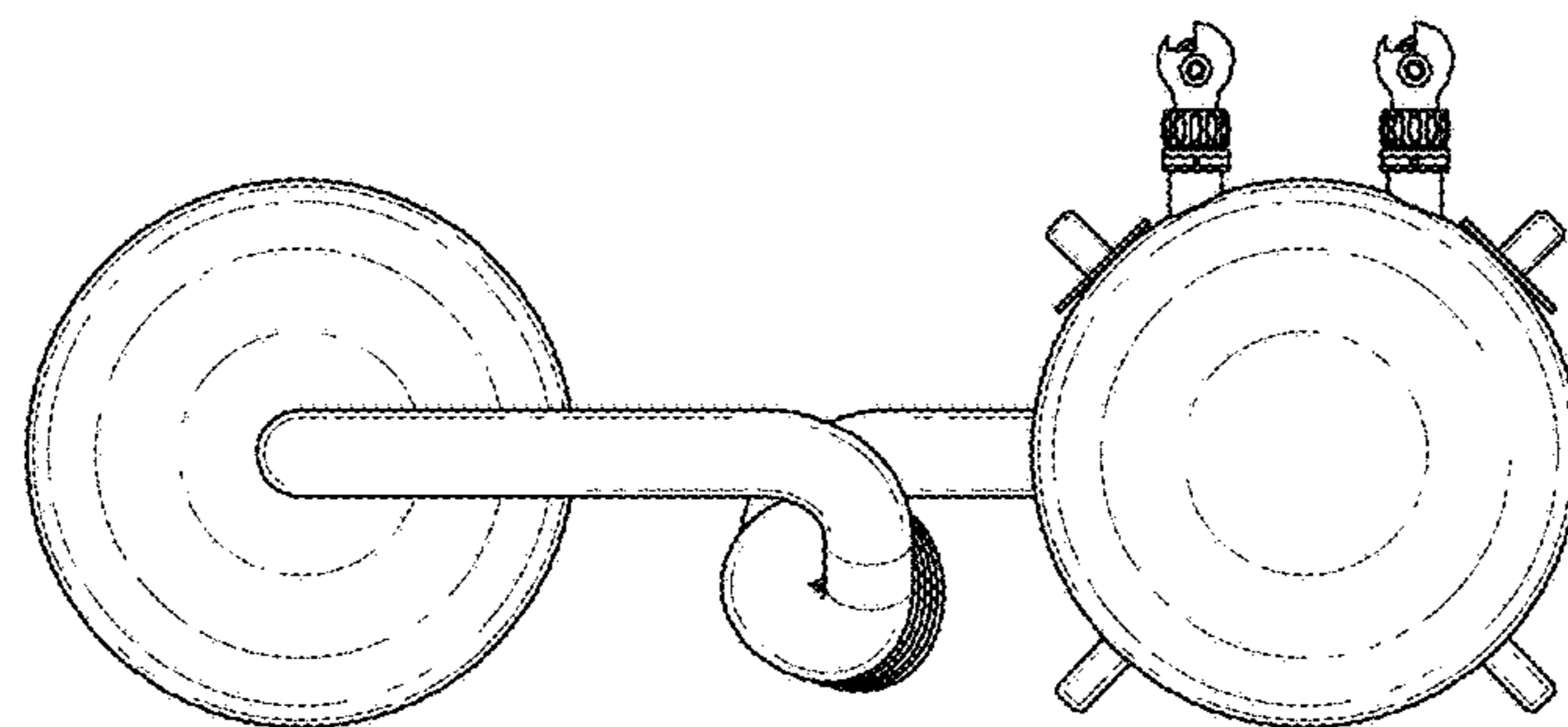


FIG. 10