



US00D859901S

(12) **United States Design Patent**
Costaglia

(10) **Patent No.:** **US D859,901 S**

(45) **Date of Patent:** **** Sep. 17, 2019**

(54) **CHAIR BOTTOM**

(71) Applicant: **L&P PROPERTY MANAGEMENT COMPANY**, South Gate, CA (US)

(72) Inventor: **Massimo Costaglia**, Santa Giustina in Colle (IT)

(73) Assignee: **L&P Property Management Company**, South Gate, CA (US)

(**) Term: **15 Years**

(21) Appl. No.: **29/587,098**

(22) Filed: **Dec. 9, 2016**

(51) **LOC (12) Cl.** **06-01**

(52) **U.S. Cl.**
USPC **D6/716.7**

(58) **Field of Classification Search**
USPC D6/334-336, 366, 367, 374, 375, 379,
D6/380, 716, 716.1, 716.2, 716.3, 716.4,
D6/716.7
CPC .. A47C 1/04; A47C 1/06; A47C 1/031; A47C
7/004; A47C 7/50; A47C 7/506; B60N
2/02; B60N 2/022
See application file for complete search history.

(56) **References Cited**

U.S. PATENT DOCUMENTS

D290,073 S * 6/1987 Doerner D6/716.7
D292,459 S * 10/1987 Doerner D6/716.7
D377,283 S * 1/1997 Su D6/716.7
D544,258 S * 6/2007 Chen D6/716.7
D549,016 S * 8/2007 Donati D6/716.7
D550,991 S * 9/2007 Donati D6/716.7

D578,326 S * 10/2008 Donati D6/716.7
D653,481 S * 2/2012 Moreschi D6/716.7
D719,774 S * 12/2014 Brooks D6/716.7
9,527,419 B2 * 12/2016 Hosbach B60N 2/02

* cited by examiner

Primary Examiner — Mimosa De

(74) *Attorney, Agent, or Firm* — Shook, Hardy & Bacon LLP

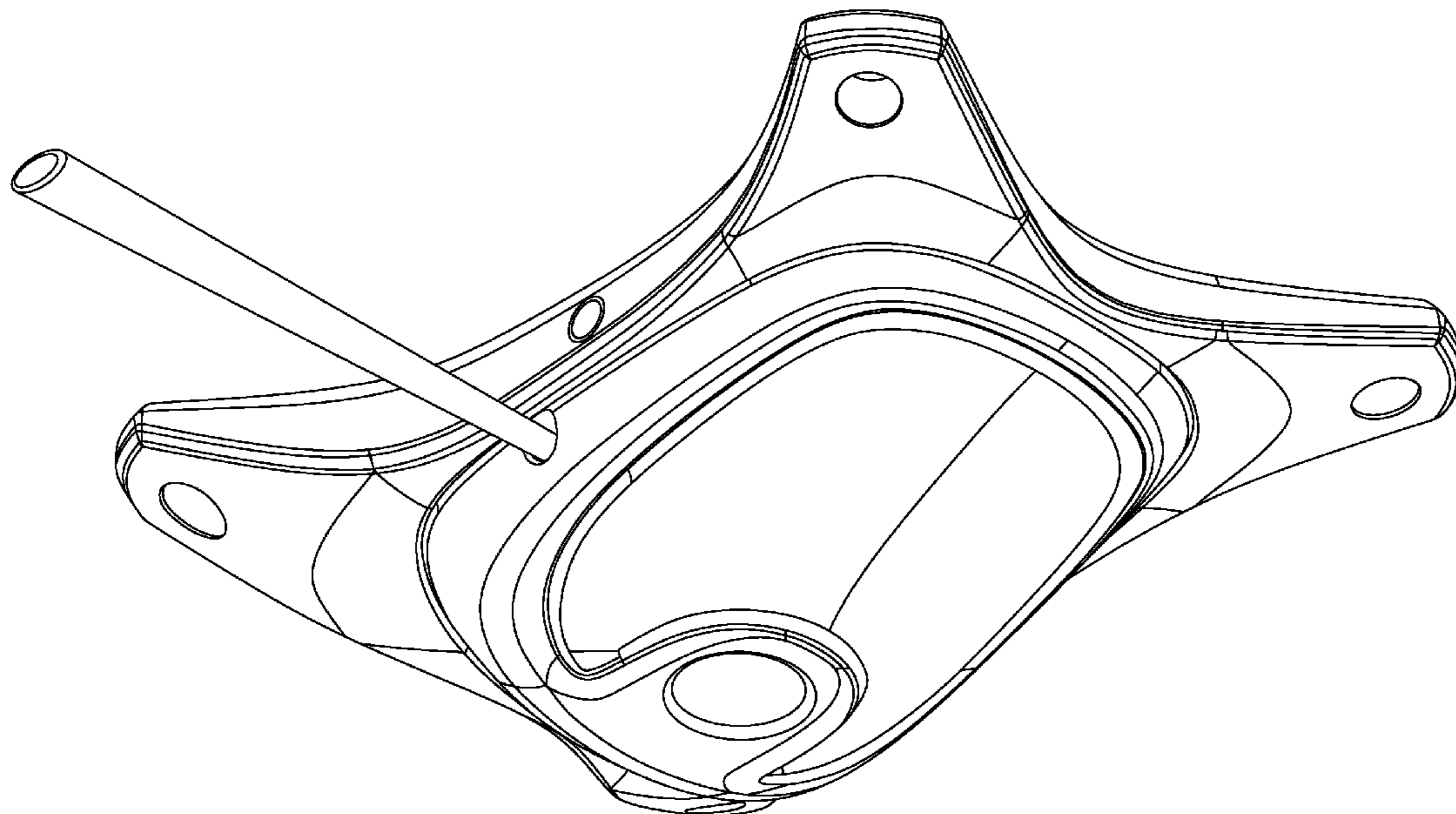
(57) **CLAIM**

The ornamental design for a chair bottom, as shown and described.

DESCRIPTION

FIG. 1 is an isometric view of an embodiment of a portion of a chair according to my design;
FIG. 2 is an isometric view thereof from a different view-point;
FIG. 3 is a front view thereof;
FIG. 4 is a rear view thereof;
FIG. 5 is a side view thereof;
FIG. 6 is a bottom view thereof;
FIG. 7 is a top view thereof;
FIG. 8 is an isometric view of another embodiment of a portion of a chair according to my design;
FIG. 9 is an isometric view thereof from a different view-point;
FIG. 10 is a front view thereof;
FIG. 11 is a rear view thereof;
FIG. 12 is a side view thereof;
FIG. 13 is a bottom view thereof; and,
FIG. 14 is a top view thereof.

1 Claim, 15 Drawing Sheets



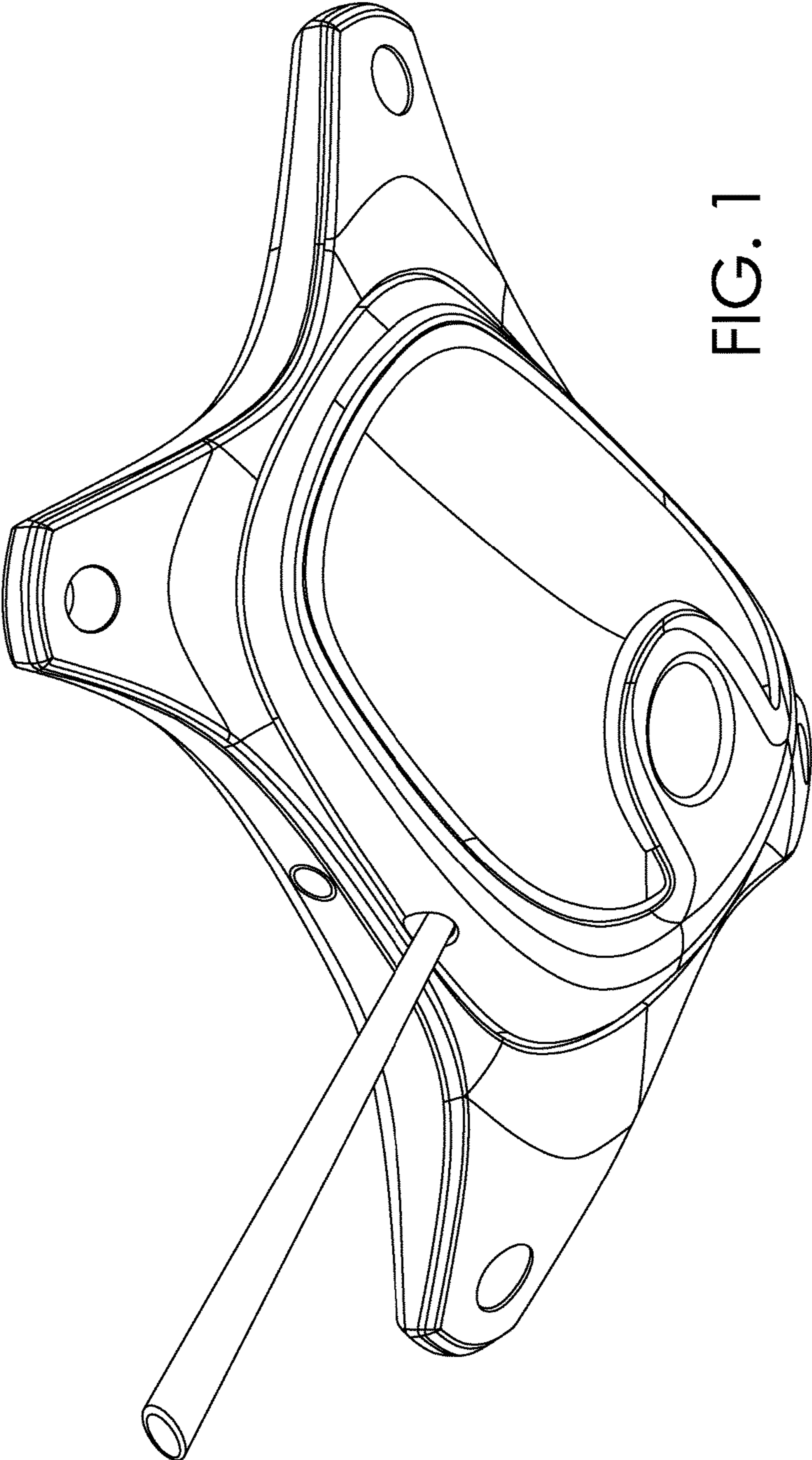


FIG. 1

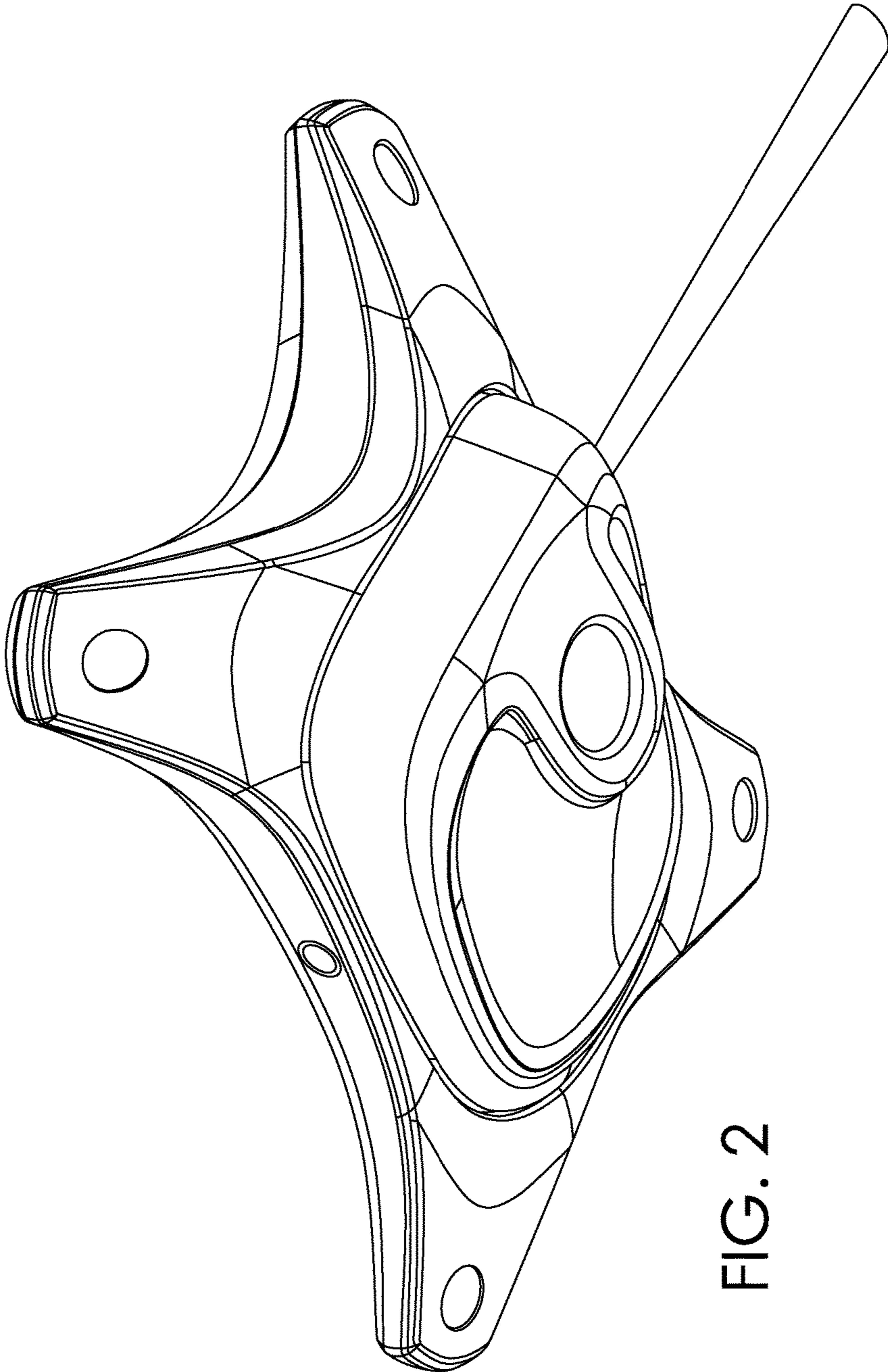


FIG. 2

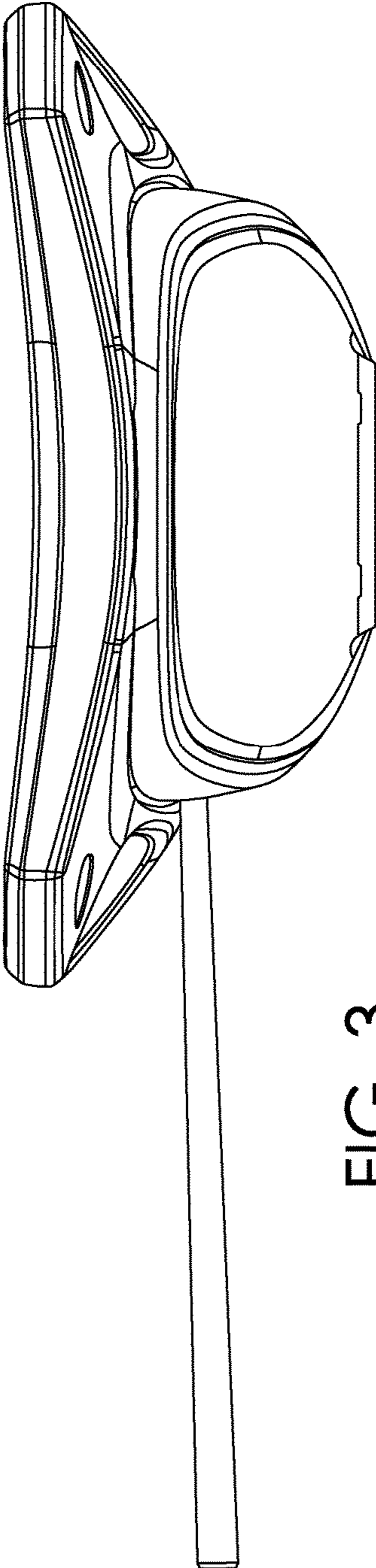


FIG. 3

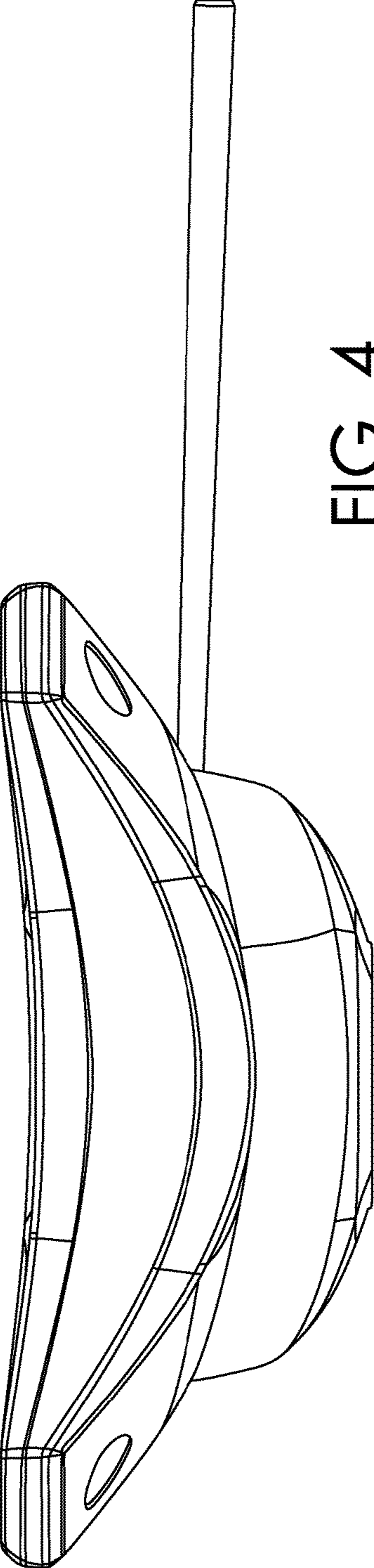


FIG. 4

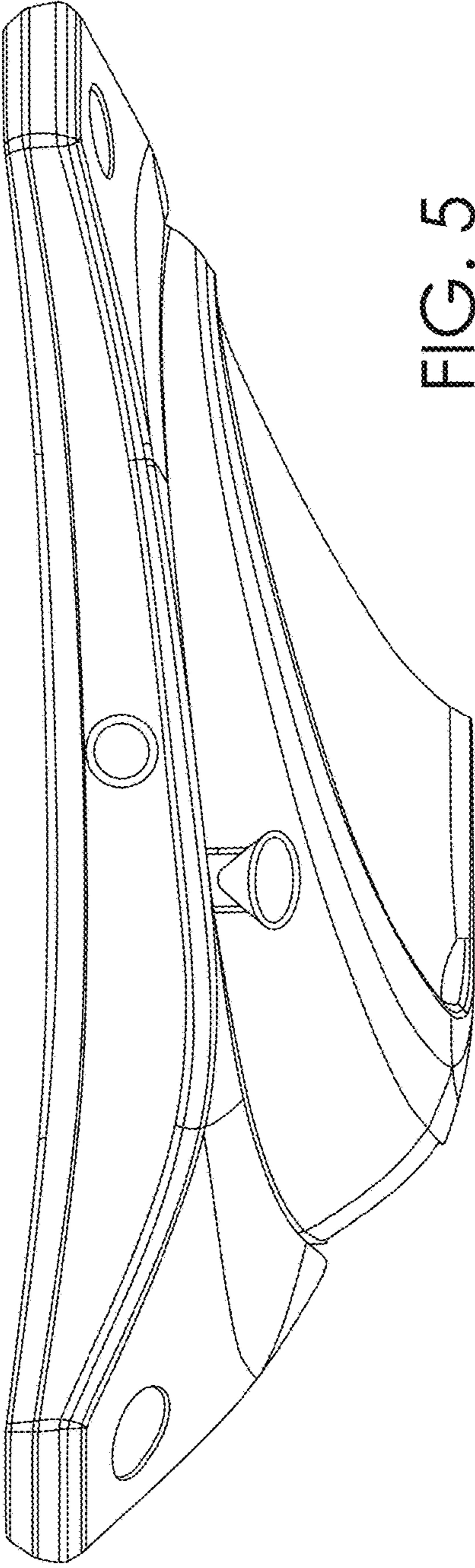


FIG. 5

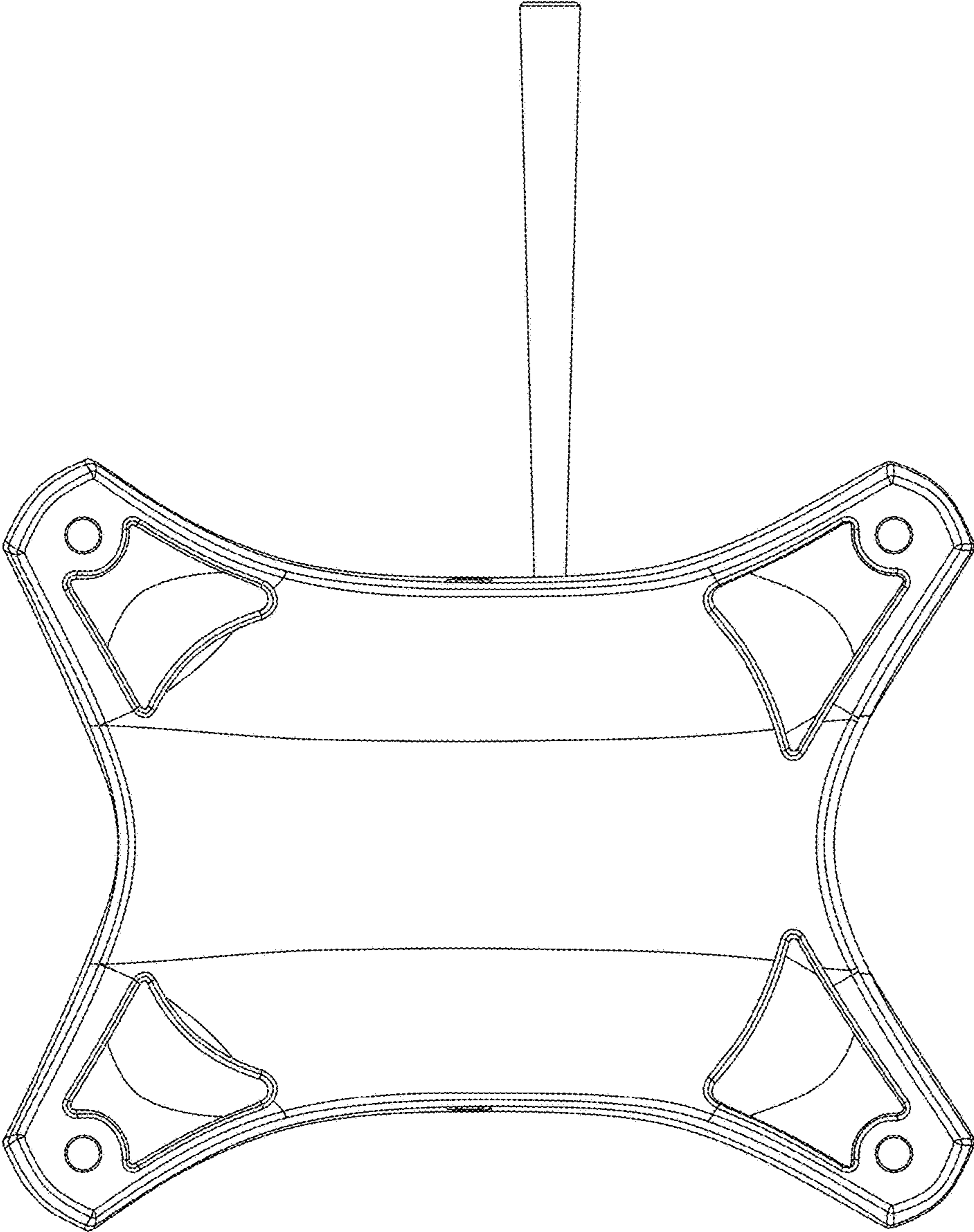


FIG. 6

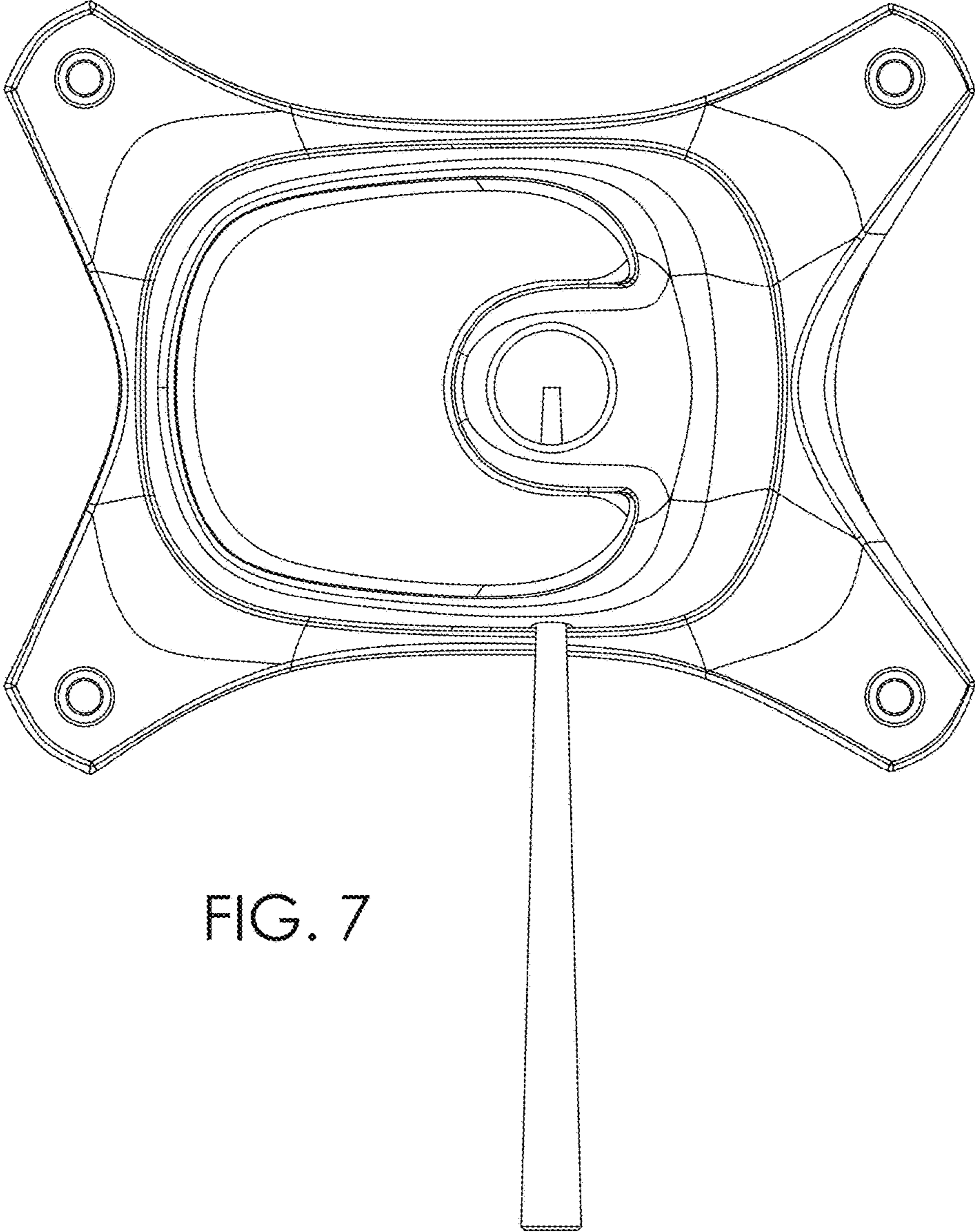
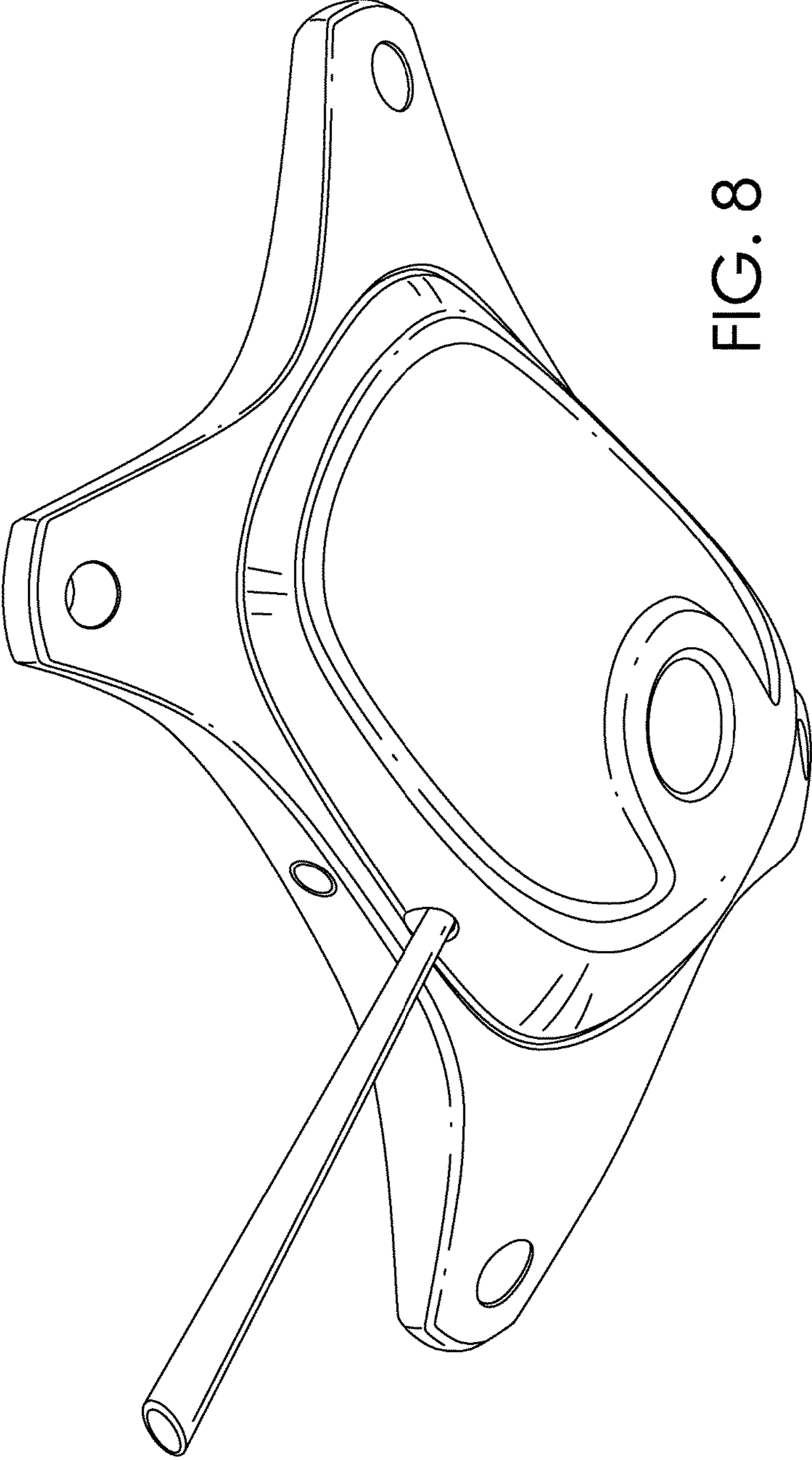


FIG. 7



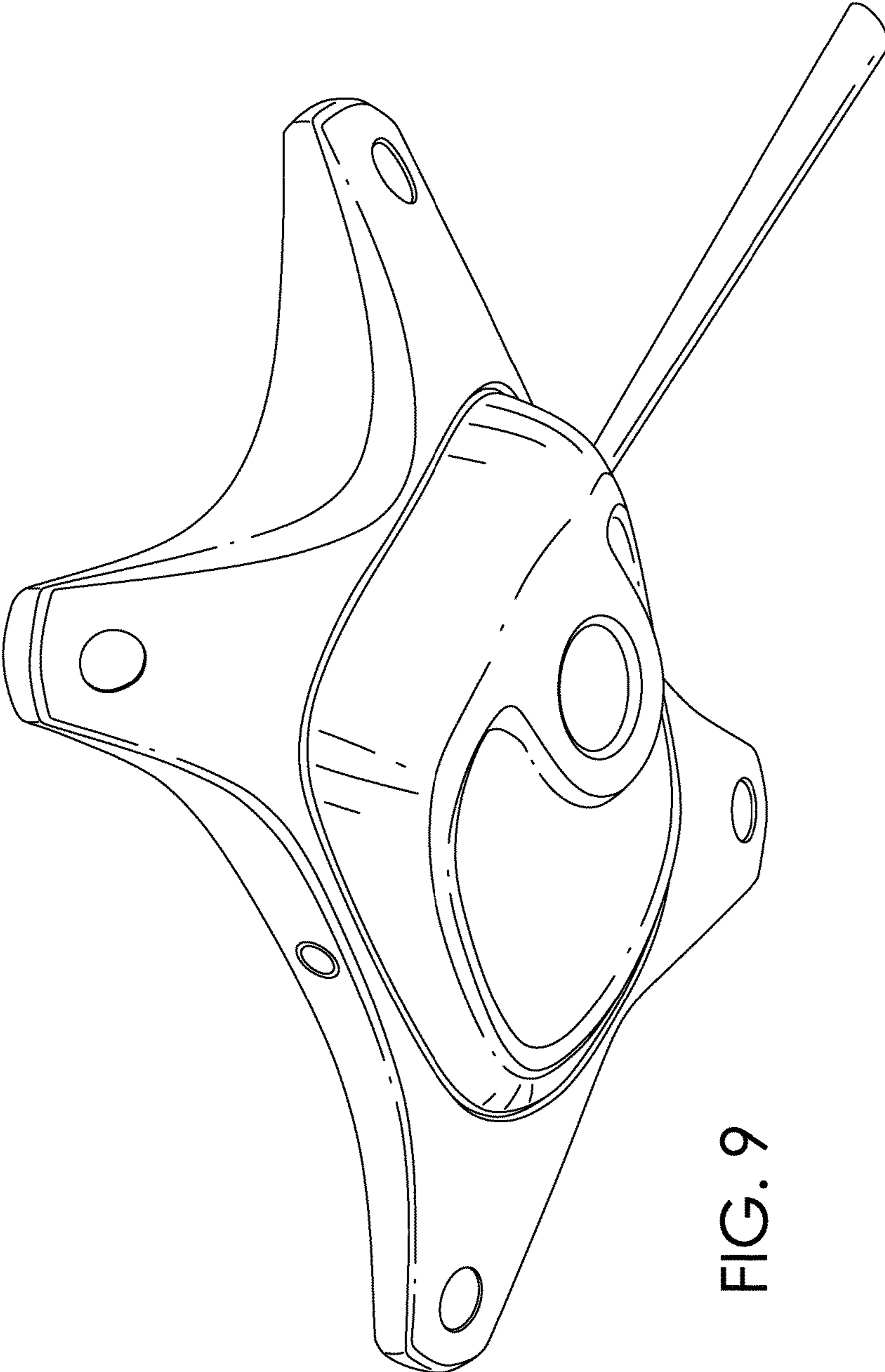


FIG. 9

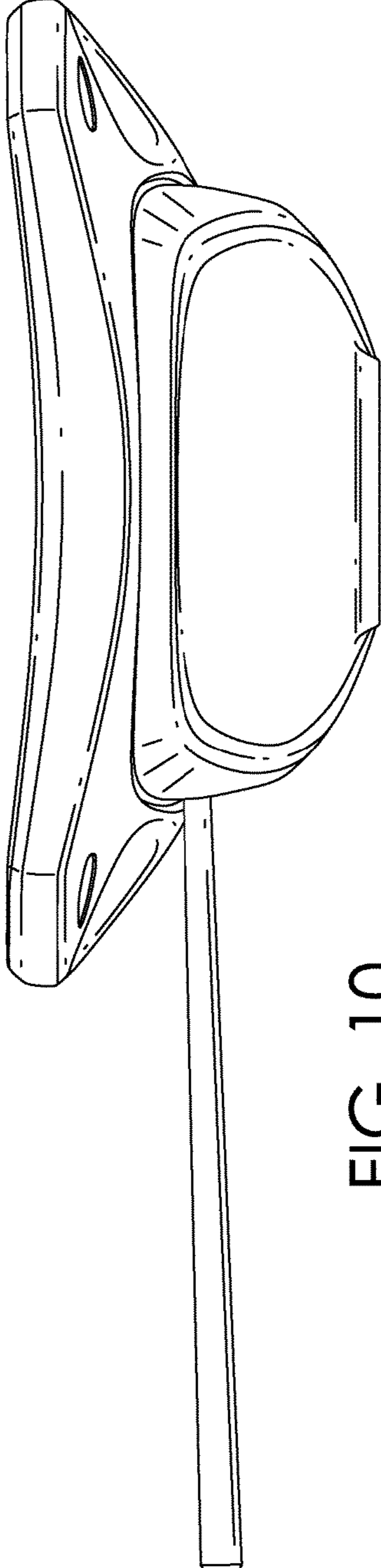


FIG. 10

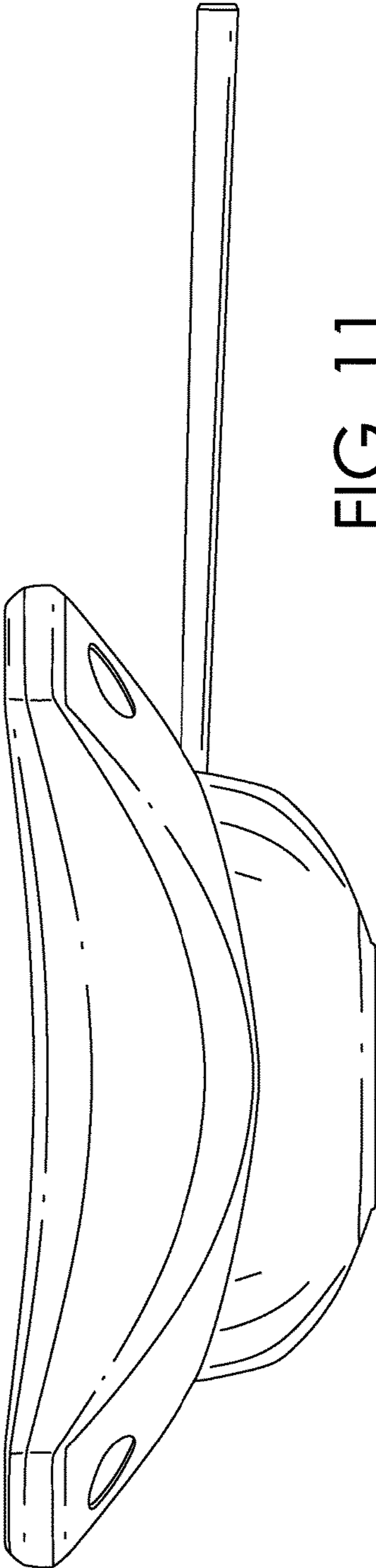


FIG. 11

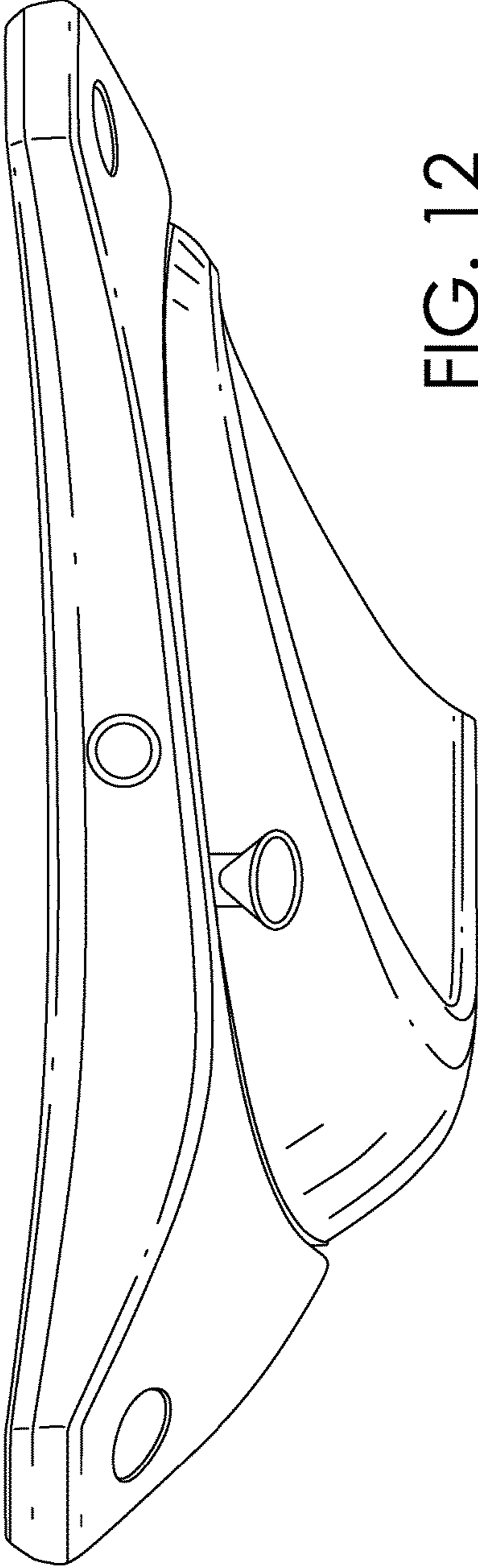


FIG. 12

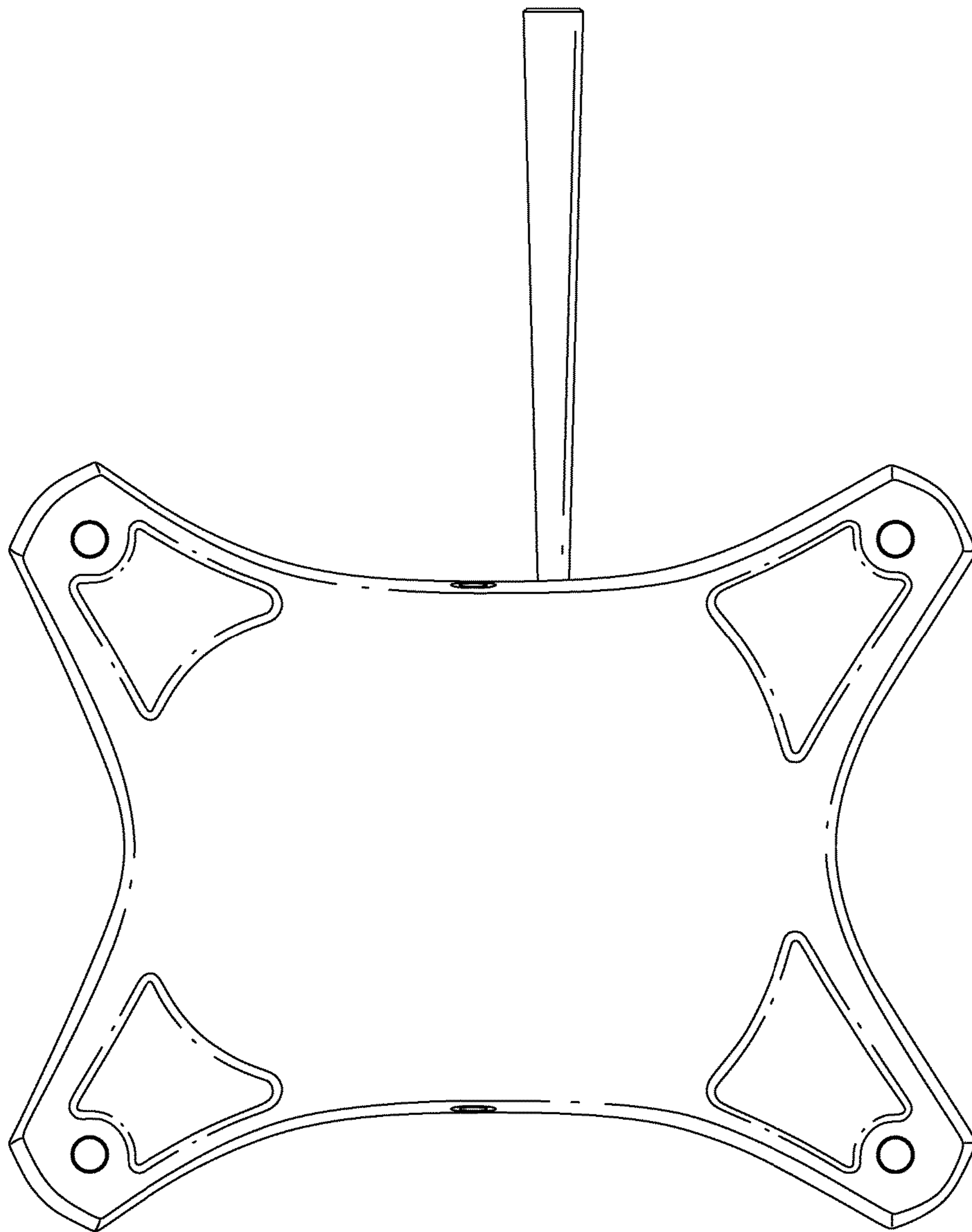


FIG. 13

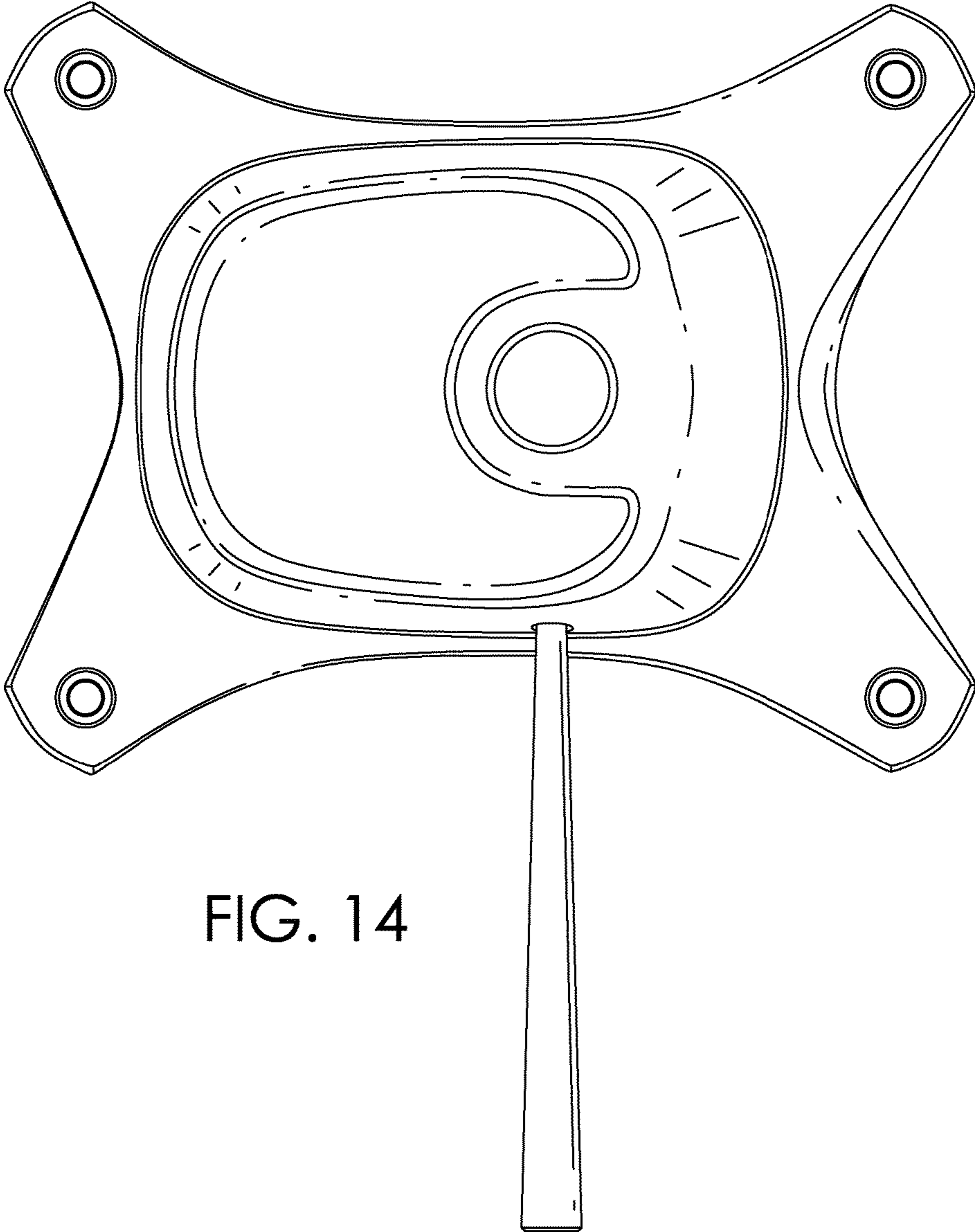


FIG. 14

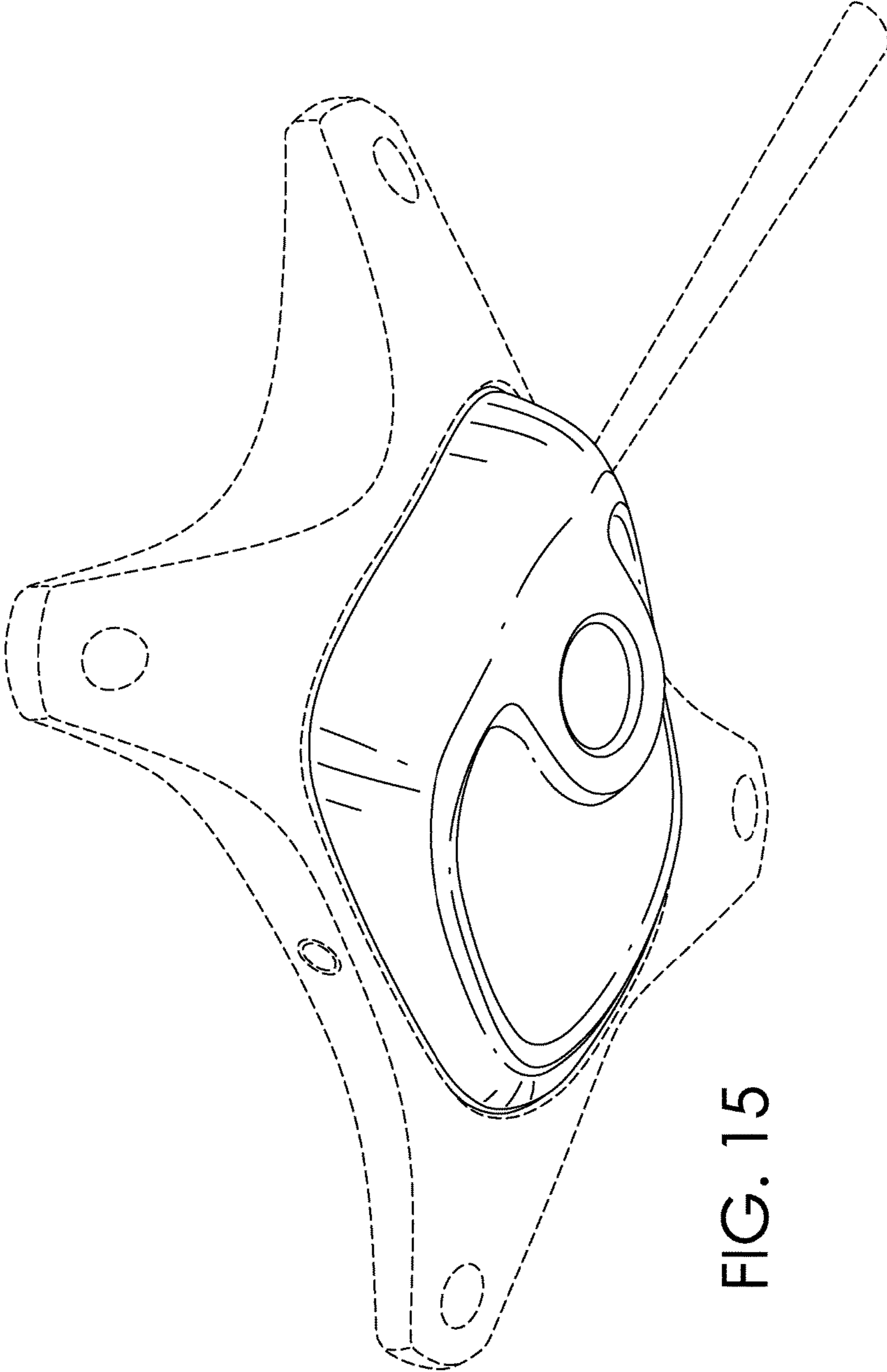


FIG. 15