



US00D859894S

(12) **United States Design Patent**  
**Smith et al.**

(10) **Patent No.:** **US D859,894 S**

(45) **Date of Patent:** **\*\* Sep. 17, 2019**

(54) **CONTAINER**

(71) Applicants: **William Thomas Smith**, Fair Oaks, CA  
(US); **Cheryl Ann Smith**, Fair Oaks,  
CA (US)

(72) Inventors: **William Thomas Smith**, Fair Oaks, CA  
(US); **Cheryl Ann Smith**, Fair Oaks,  
CA (US)

(\*\*) Term: **15 Years**

(21) Appl. No.: **29/622,040**

(22) Filed: **Oct. 13, 2017**

(51) **LOC (12) Cl.** ..... **06-06**

(52) **U.S. Cl.**  
USPC ..... **D6/682.1**

(58) **Field of Classification Search**  
USPC ..... D6/682, 682.1, 682.2; D3/304;  
D24/224–227, 229, 230; D9/737, 749,  
D9/756, 455  
CPC .... A47F 5/0018; A47F 7/0071; A47F 7/0078;  
A61J 7/0069; A61J 7/0076; B65D  
75/327; B65D 83/0455  
See application file for complete search history.

(56) **References Cited**

**U.S. PATENT DOCUMENTS**

5,248,870 A \* 9/1993 Redal ..... H05B 3/009  
211/74  
D393,104 S \* 3/1998 Wolff ..... D28/73  
D437,711 S \* 2/2001 Berg ..... D28/73

D505,841 S \* 6/2005 Fiedeler ..... D6/525  
D526,855 S \* 8/2006 Wolff ..... D7/612  
D550,515 S \* 9/2007 Chiang ..... D7/629  
D698,641 S \* 2/2014 Theisen ..... D9/418  
D756,226 S \* 5/2016 In ..... D9/504  
D758,847 S \* 6/2016 Stuart ..... D9/428  
D769,653 S \* 10/2016 Peltosaari ..... D6/682.1  
D812,939 S \* 3/2018 Modlin ..... D6/677  
D832,698 S \* 11/2018 Uglialoro ..... D9/432  
2006/0278665 A1 \* 12/2006 Bennett ..... A45D 33/16  
222/480

\* cited by examiner

*Primary Examiner* — Kelley A Donnelly

(74) *Attorney, Agent, or Firm* — Ballard Spahr LLP

(57) **CLAIM**

The ornamental design for a container, as shown and described.

**DESCRIPTION**

FIG. 1 is a perspective view of a container showing my new design.

FIG. 2 is perspective view thereof;

FIG. 3 is a partially exploded perspective view;

FIG. 4 is a partially exploded perspective view;

FIG. 5 is a top view thereof;

FIG. 6 is a bottom view thereof;

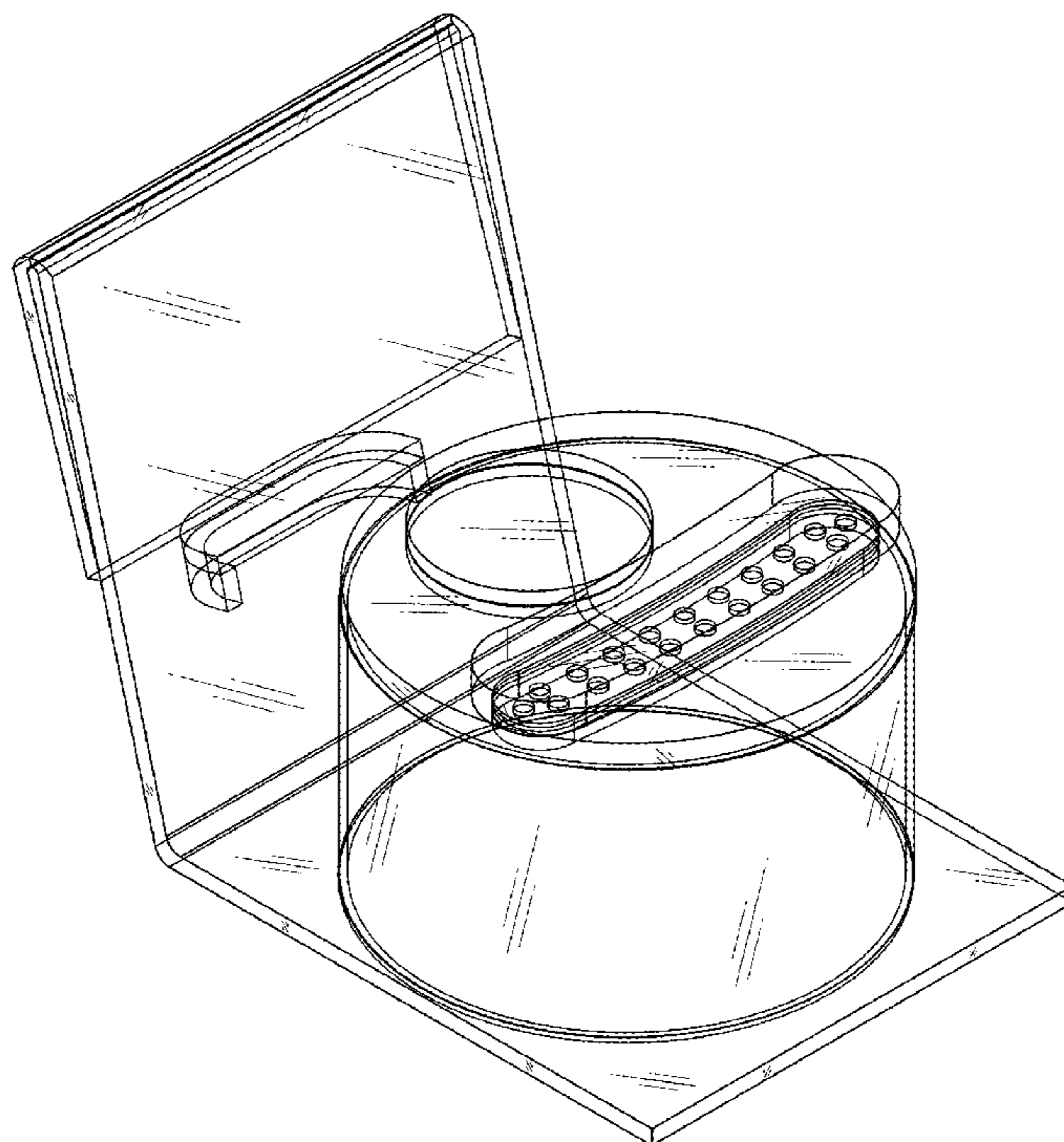
FIG. 7 is a side elevation view thereof;

FIG. 8 is a partially exploded side elevation view;

FIG. 9 is a front elevation view; and,

FIG. 10 is back elevation view.

**1 Claim, 10 Drawing Sheets**



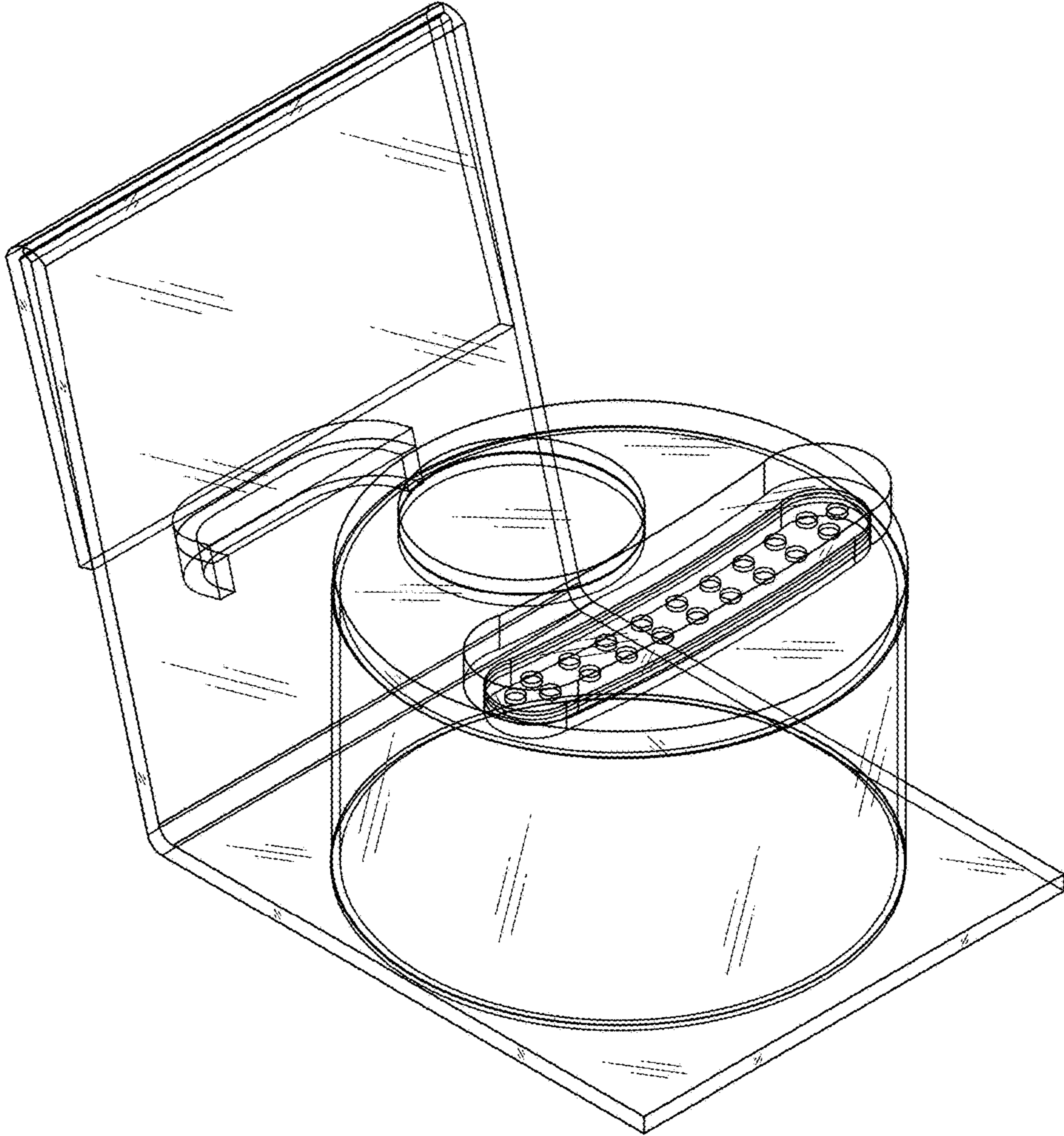


FIG. 1

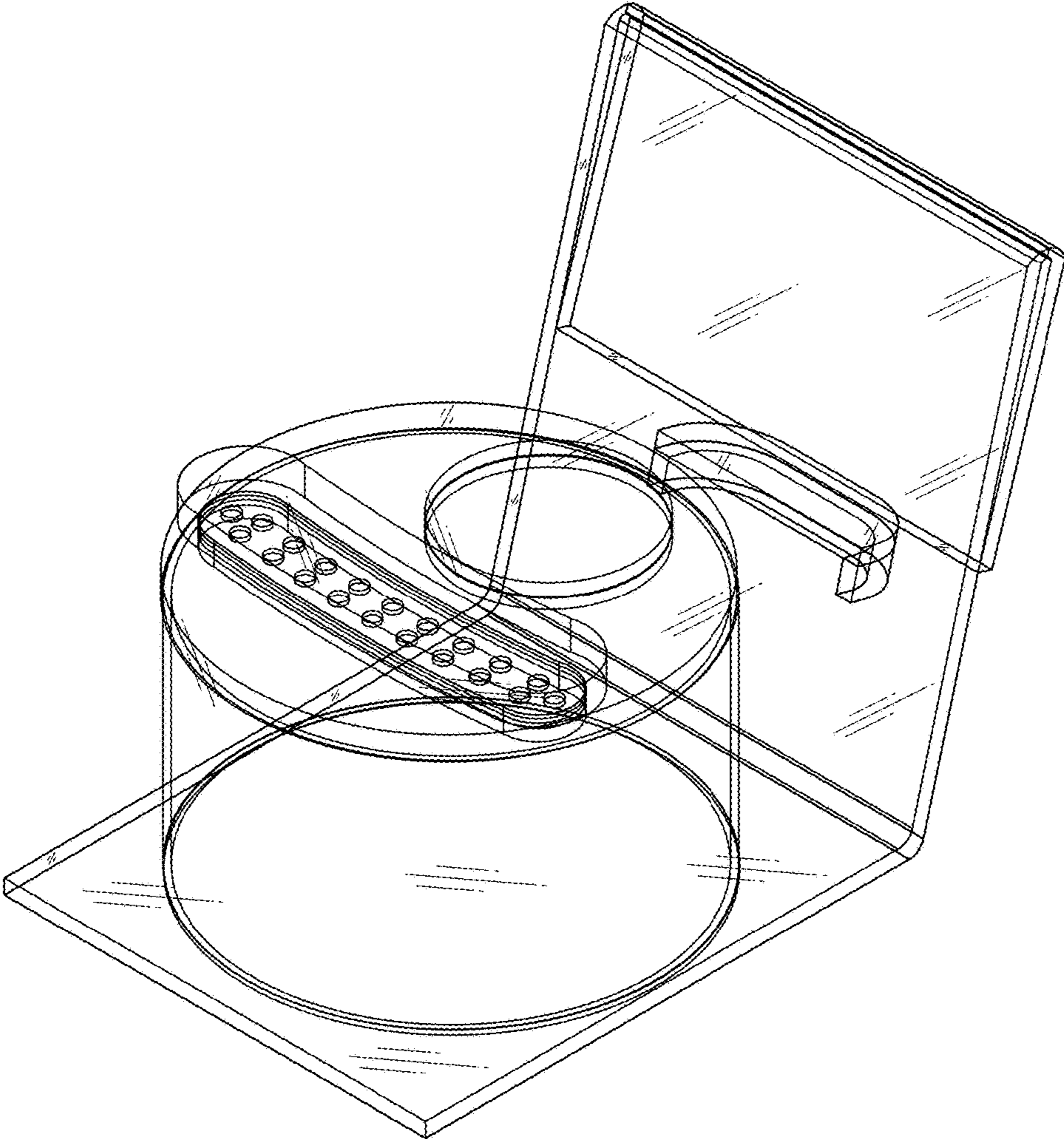


FIG. 2

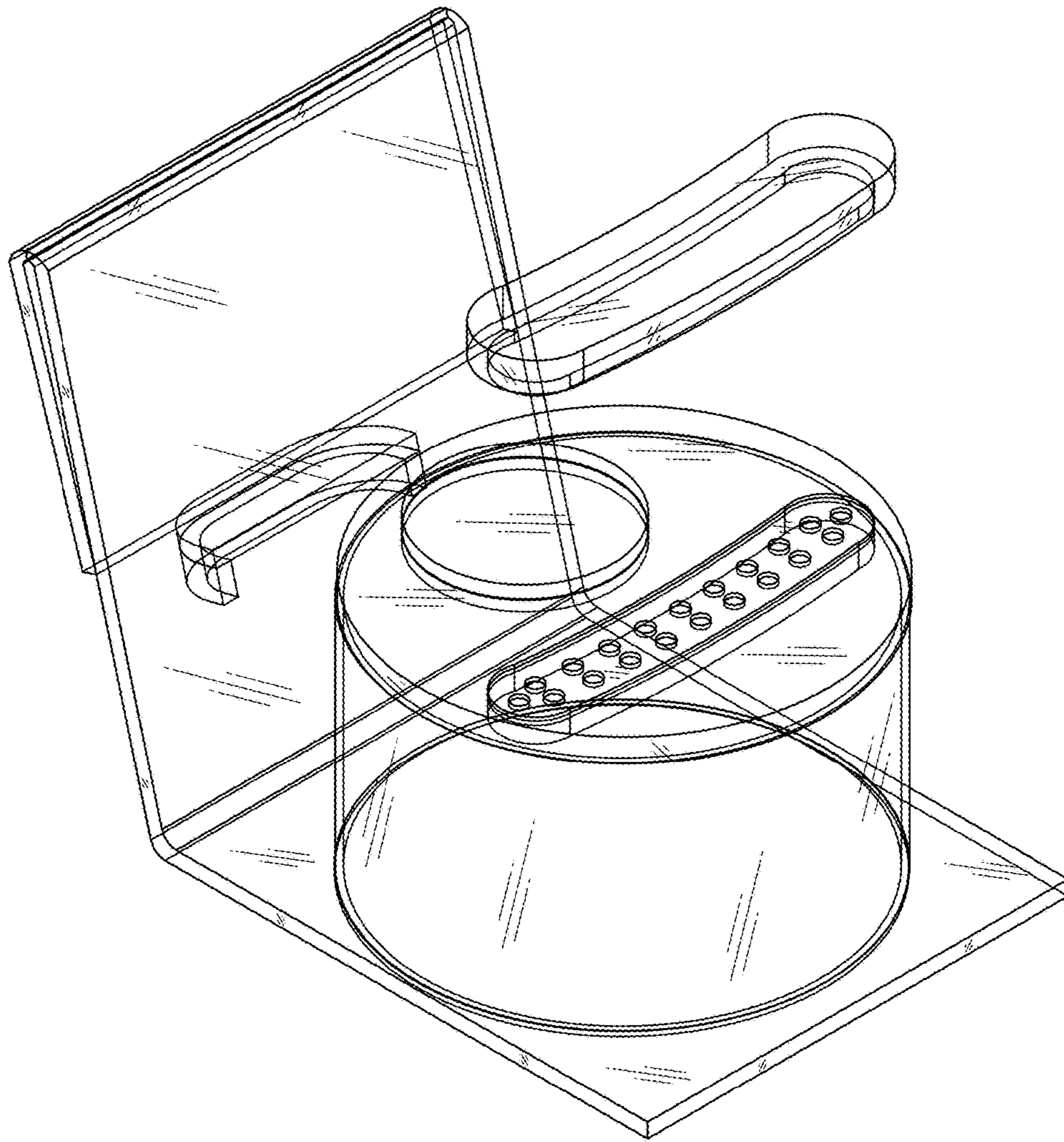


FIG. 3

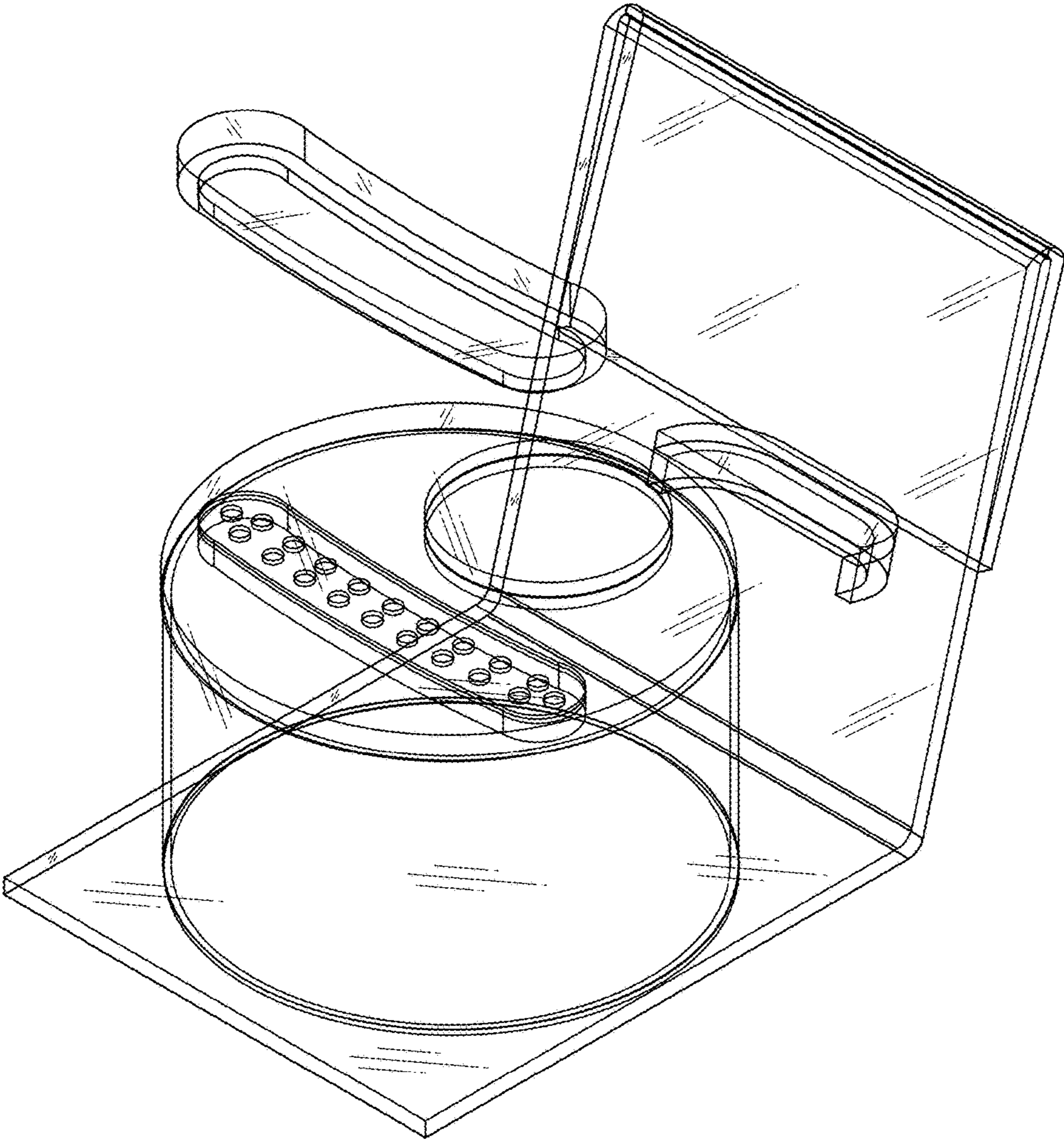


FIG. 4

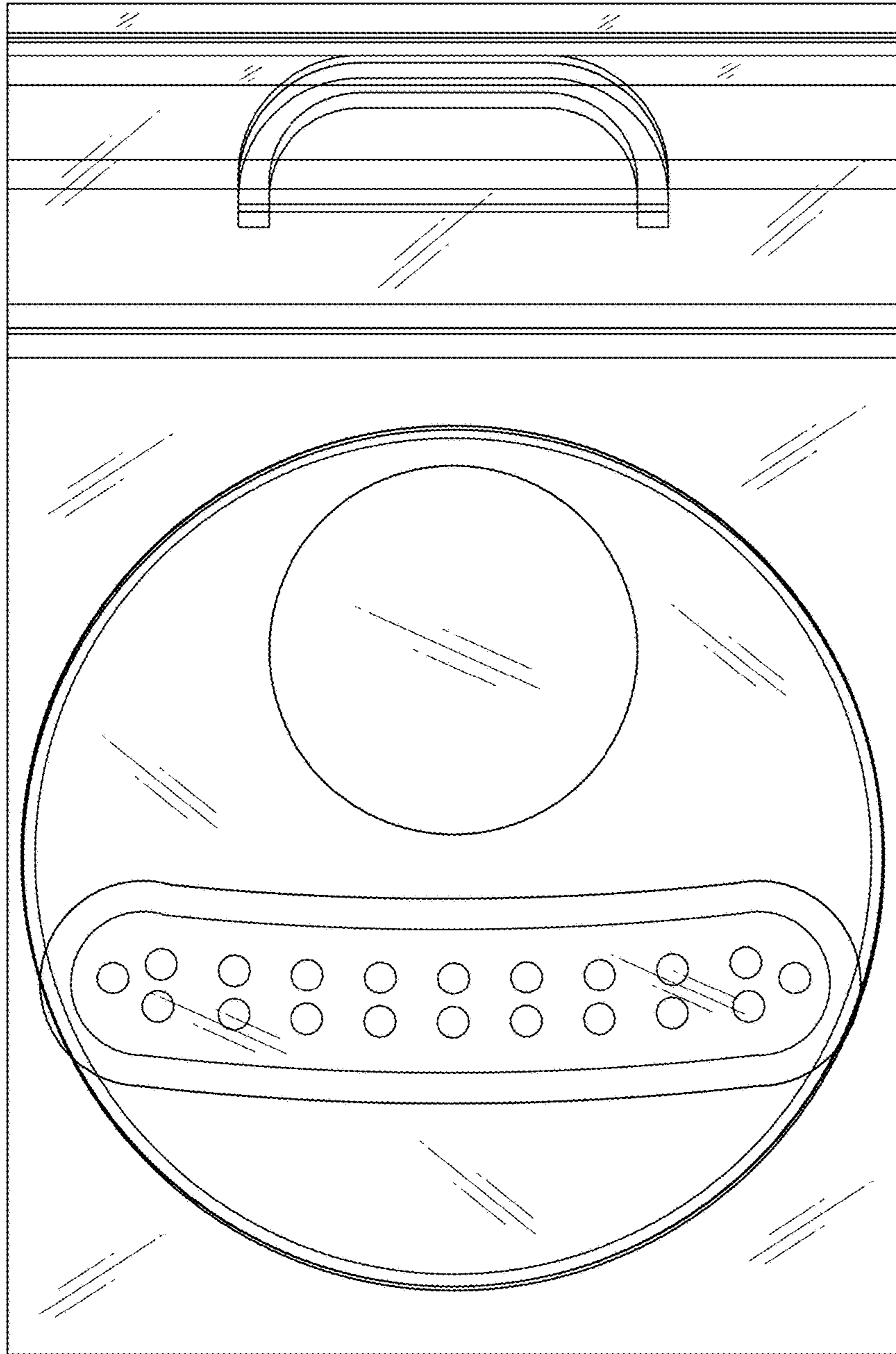


FIG. 5

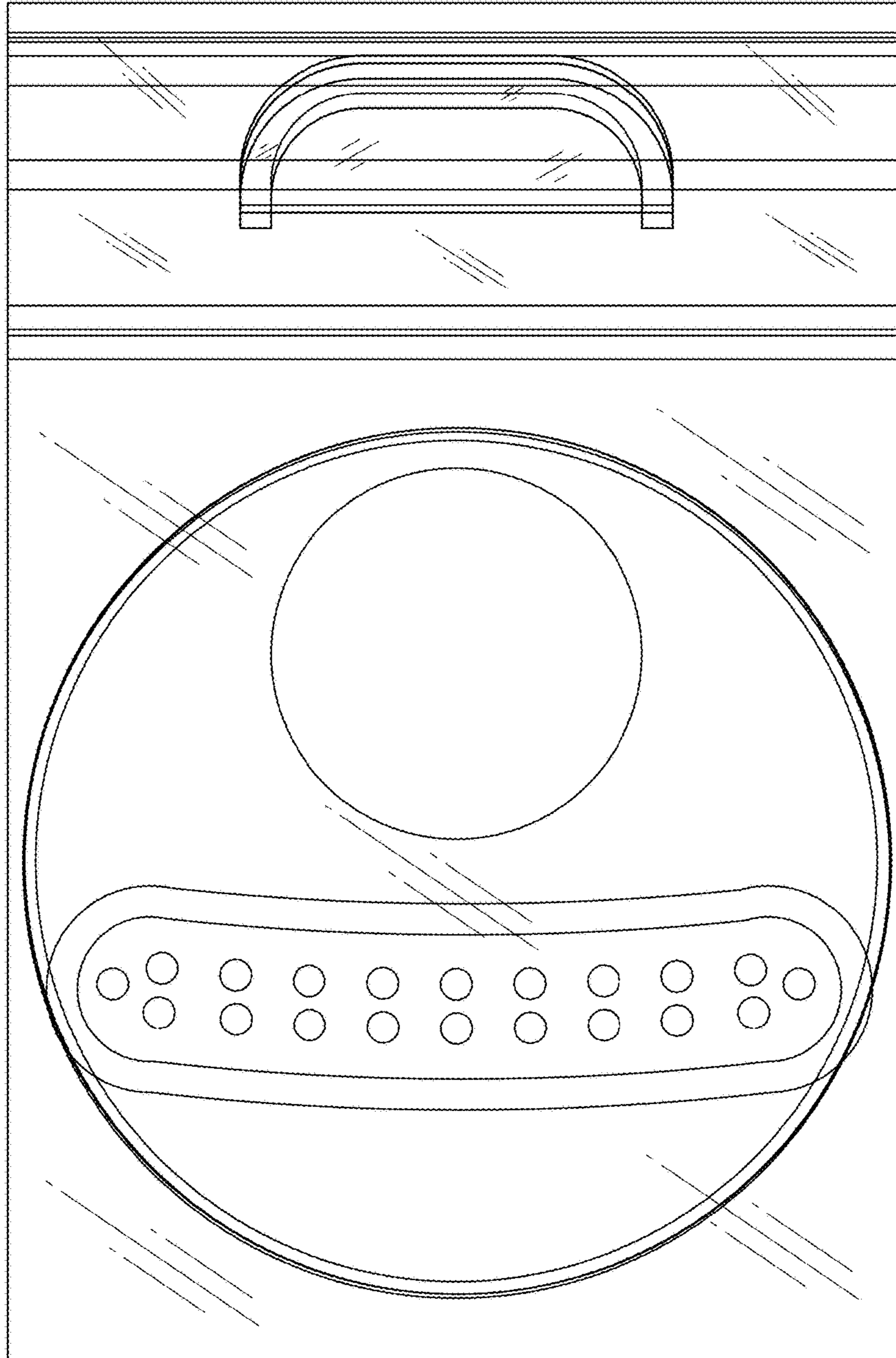


FIG. 6

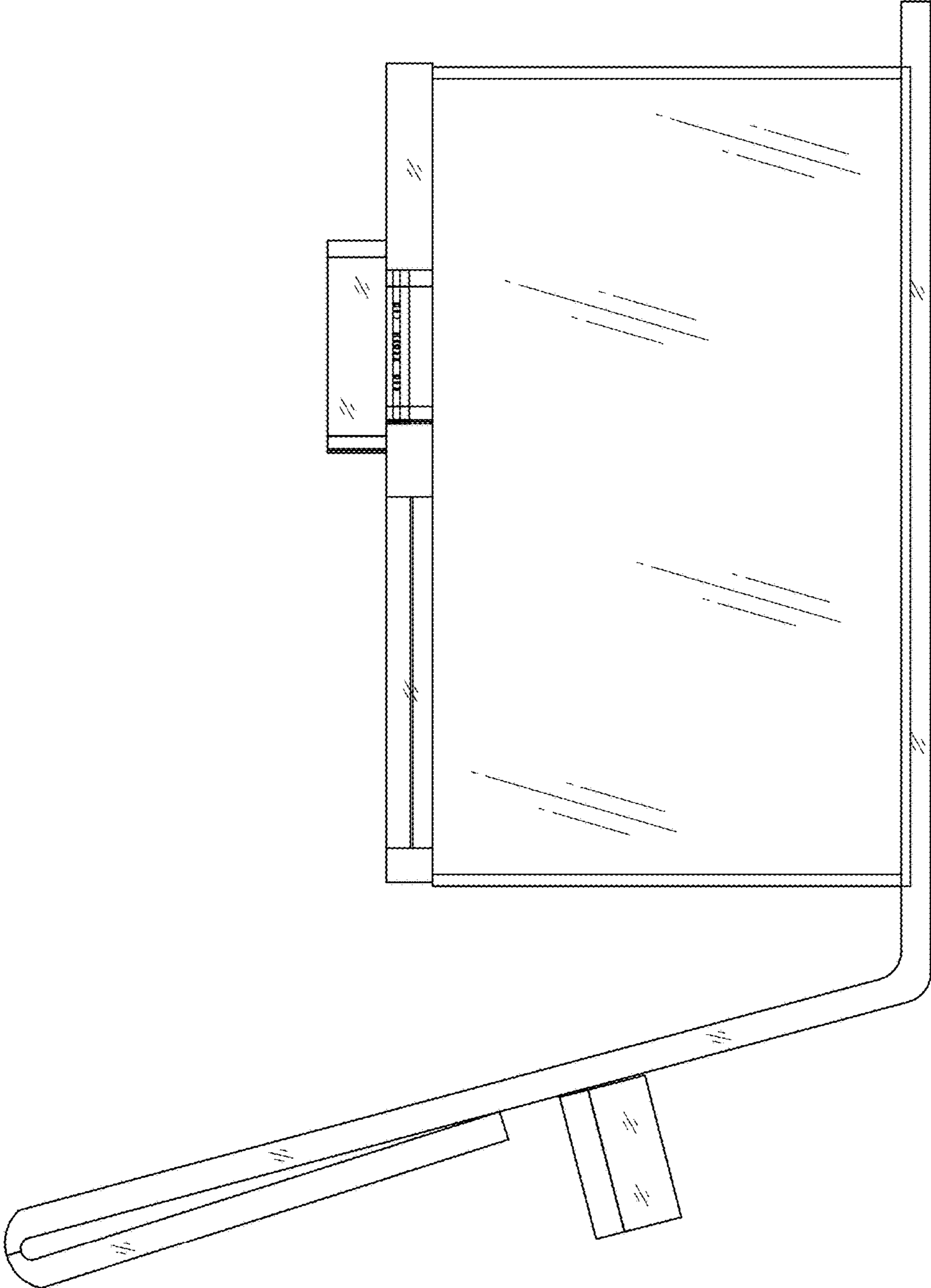


FIG. 7



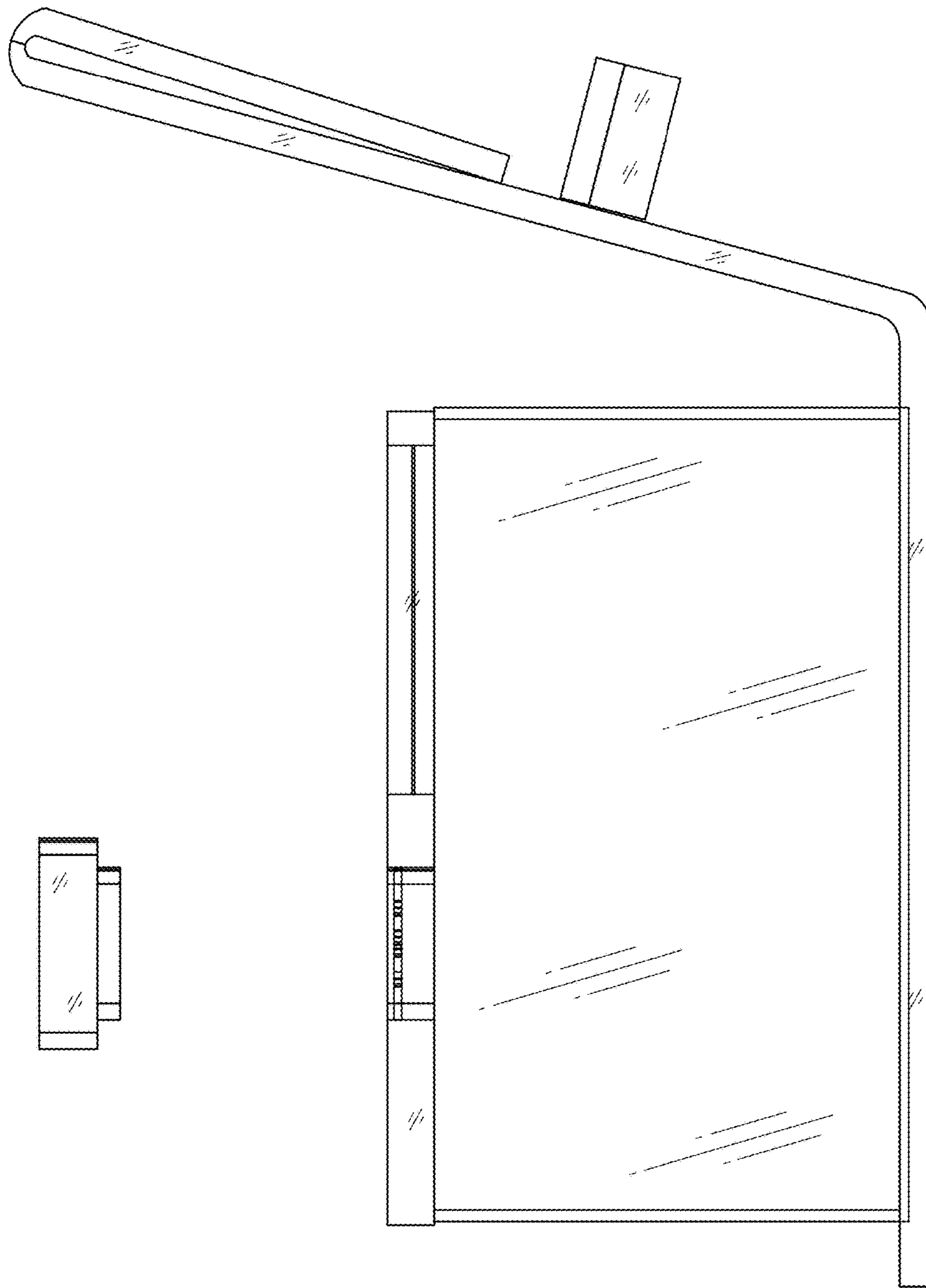


FIG. 8

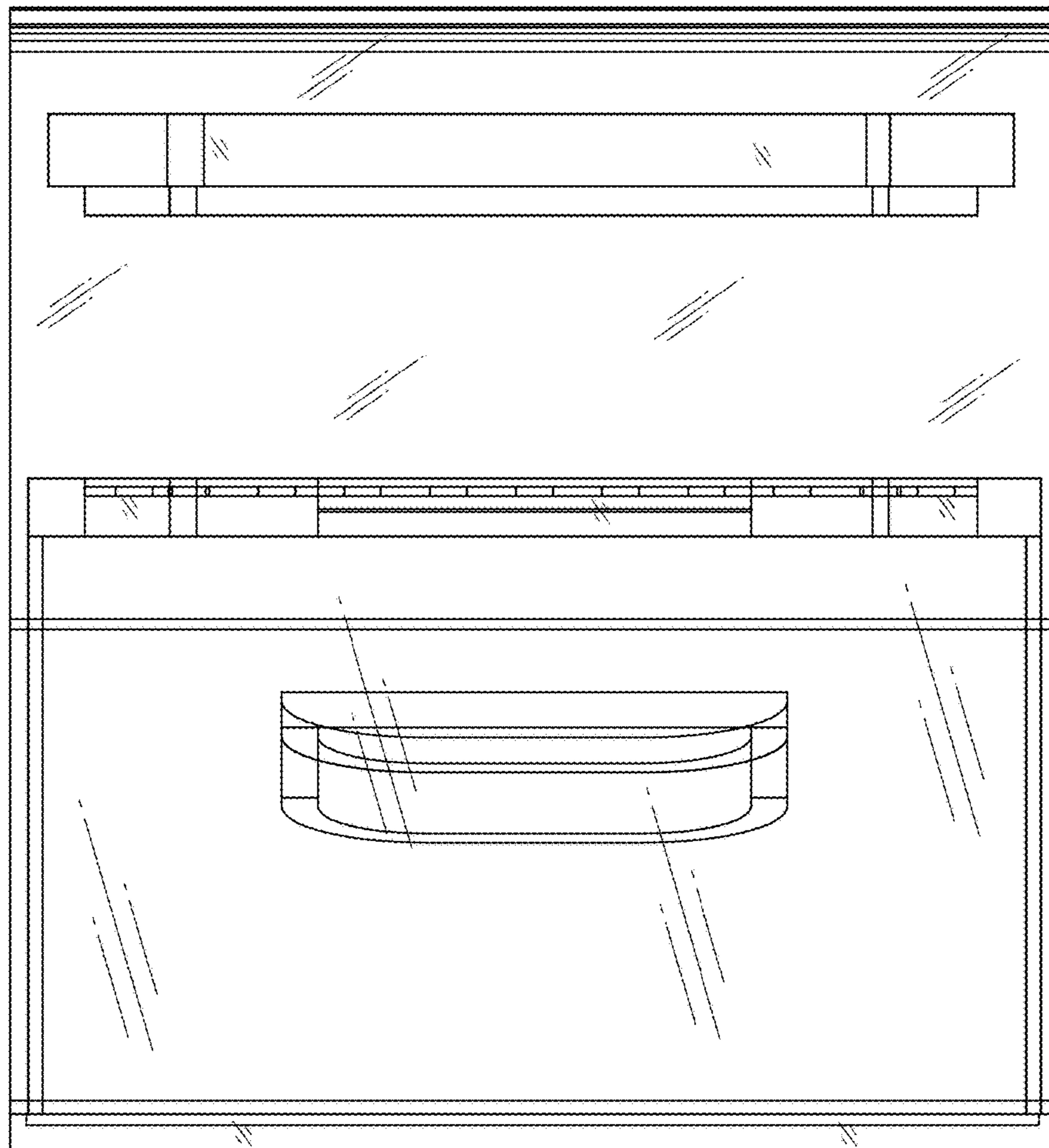


FIG. 9

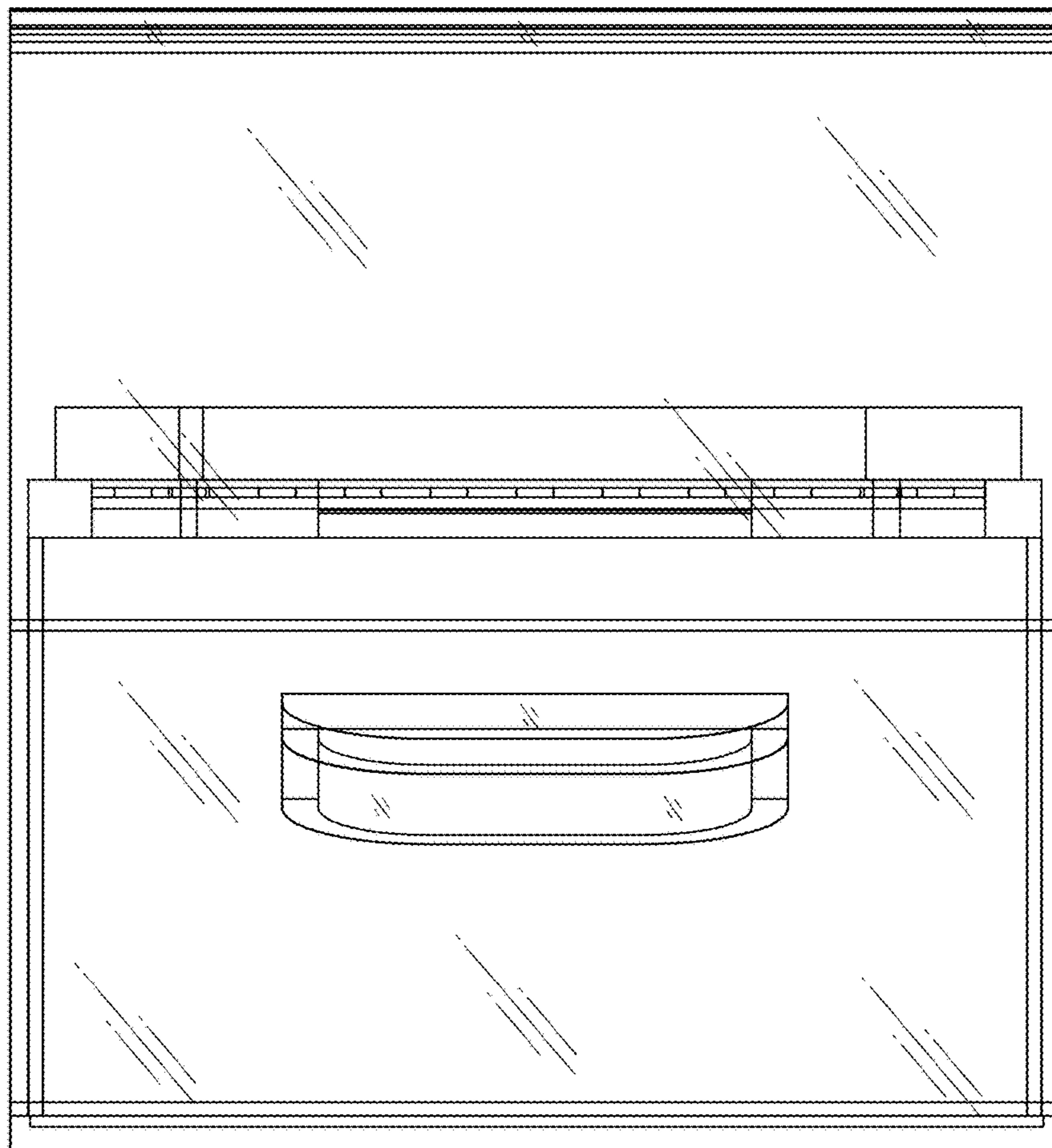


FIG. 10