



US00D859892S

(12) **United States Design Patent** (10) **Patent No.:** **US D859,892 S**
Tio et al. (45) **Date of Patent:** **** Sep. 17, 2019**

(54) **DISPLAY STRUCTURE**

- (71) Applicant: **Apple Inc.**, Cupertino, CA (US)
- (72) Inventors: **Federico F. Tio**, Santa Cruz, CA (US);
Frank Craig Thaler, Santa Cruz, CA (US); **Wesley B. Hamm**, San Francisco, CA (US); **Kevin Fenton Smeds**, San Francisco, CA (US); **Russell John Kaaihue Heirakuji**, Cupertino, CA (US)
- (73) Assignee: **Apple Inc.**, Cupertino, CA (US)
- (**) Term: **15 Years**
- (21) Appl. No.: **29/659,085**
- (22) Filed: **Aug. 6, 2018**

Related U.S. Application Data

- (63) Continuation of application No. 29/607,262, filed on Jun. 12, 2017, now Pat. No. Des. 824,702, which is a continuation of application No. 29/547,867, filed on Dec. 8, 2015, now Pat. No. Des. 790,260, which is a continuation of application No. 29/534,157, filed on Jul. 27, 2015, now Pat. No. Des. 769,651, which is a continuation of application No. 29/499,677, filed on Aug. 18, 2014, now Pat. No. Des. 734,965, which is a continuation of application No. 29/432,724, filed on Sep. 19, 2012, now Pat. No. Des. 713,658.
- (51) **LOC (12) Cl.** **06-06**
- (52) **U.S. Cl.**
USPC **D6/675**
- (58) **Field of Classification Search**
USPC D6/332, 512, 513, 657, 672-673, D6/675-675.1, 682
CPC A47F 5/0018; A47F 5/0043; A47F 2005/0075; A47F 7/00
- See application file for complete search history.

(56) **References Cited**

U.S. PATENT DOCUMENTS

D165,536 S	*	12/1951	Marshall	D6/664
D248,345 S		7/1978	Stoddard		
D300,966 S		5/1989	Colby		
D303,190 S		9/1989	Suttles		
D406,964 S		3/1999	Lewis		
D427,191 S	*	6/2000	Hashizume	D14/308

(Continued)

Primary Examiner — Kelley A Donnelly

(74) *Attorney, Agent, or Firm* — Sterne, Kessler, Goldstein & Fox, P.L.L.C.

(57) **CLAIM**

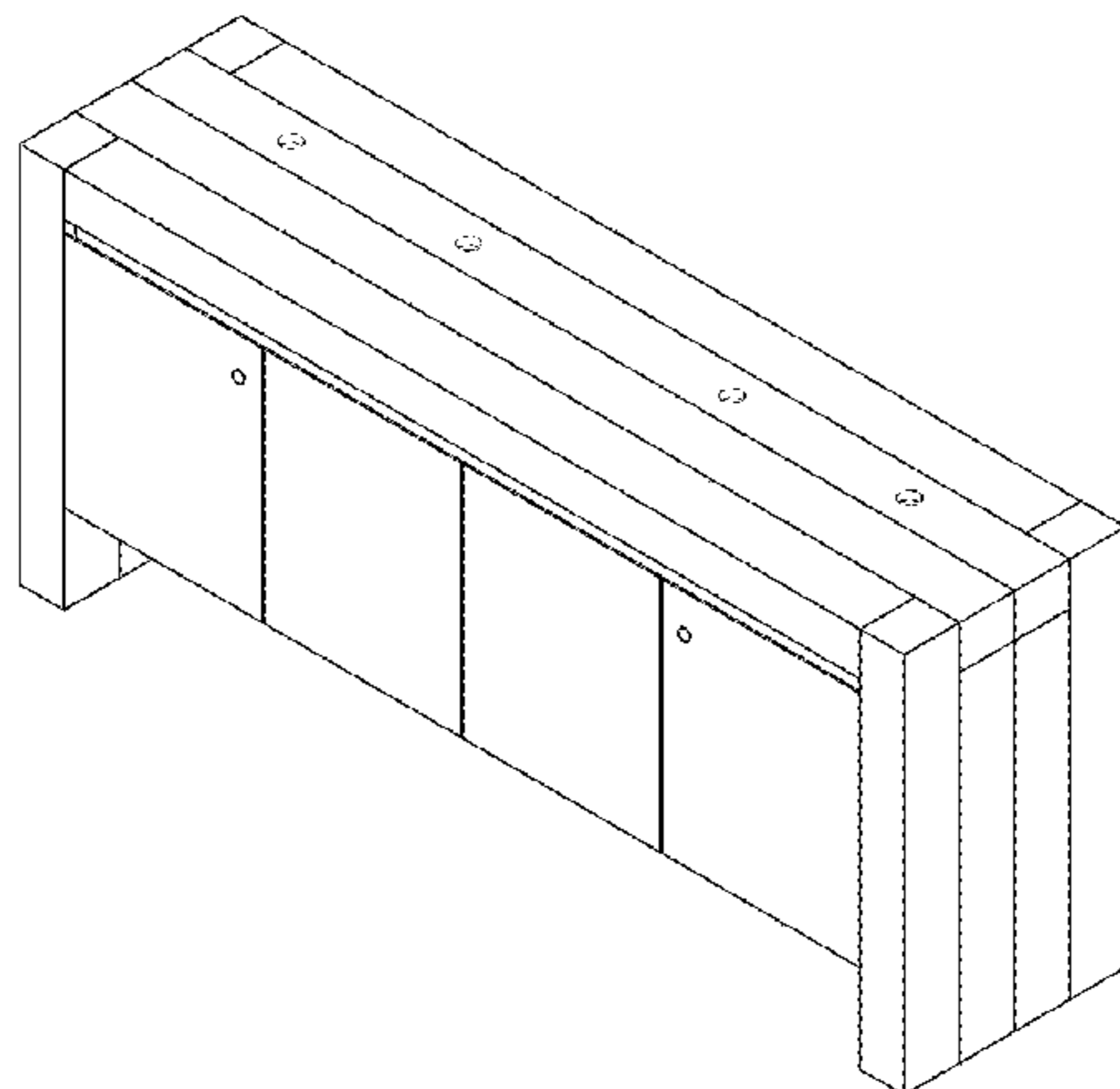
The ornamental design for a display structure, as shown and described.

DESCRIPTION

FIG. 1 is a top front perspective view of a display structure showing the claimed design;
FIG. 2 is a top rear perspective view thereof;
FIG. 3 is a front view thereof;
FIG. 4 is a rear view thereof;
FIG. 5 is a right side view thereof;
FIG. 6 is a left side view thereof;
FIG. 7 is a top view thereof;
FIG. 8 is a bottom view thereof;
FIG. 9 is a top front perspective view of another embodiment of a display structure showing the claimed design;
FIG. 10 is a top rear perspective view thereof;
FIG. 11 is a front view thereof;
FIG. 12 is a rear view thereof;
FIG. 13 is a right side view thereof;
FIG. 14 is a left side view thereof;
FIG. 15 is a top view thereof; and,
FIG. 16 is a bottom view thereof.

The broken lines in the figures show portions of the display structure that form no part of the claimed design.

1 Claim, 12 Drawing Sheets



(56)

References Cited

U.S. PATENT DOCUMENTS

D427,814 S 7/2000 Black
 D427,815 S 7/2000 Lewis
 D465,936 S 11/2002 Arnold
 D466,337 S 12/2002 Feng
 6,712,433 B2* 3/2004 Hellwig et al. A47B 21/00
 312/196
 D530,548 S 10/2006 Mccurry
 D539,569 S 4/2007 Lewis
 D549,492 S* 8/2007 Sheppard D6/691.8
 D553,879 S* 10/2007 Juneau D6/671
 D582,169 S 12/2008 Skalka
 D583,577 S 12/2008 Wicha
 D584,529 S* 1/2009 Neff D6/675.4
 D591,090 S 4/2009 Judkins
 D595,664 S* 7/2009 Simard D13/162
 D599,570 S 9/2009 Skalka
 D611,735 S 3/2010 Stukenberg
 D611,736 S 3/2010 Navone
 D651,651 S 1/2012 Beukema et al.
 D657,978 S 4/2012 Hamm et al.
 D659,415 S 5/2012 Soto et al.
 D678,696 S 3/2013 Hamm et al.
 D679,521 S 4/2013 Hamm et al.
 D686,438 S 7/2013 Denby et al.
 D688,494 S 8/2013 Hamm et al.
 D693,153 S* 11/2013 Kwok D6/661
 D693,156 S 11/2013 Hamm et al.
 D693,610 S 11/2013 Denby et al.
 D694,557 S 12/2013 Rodgers
 D694,558 S 12/2013 Denby et al.
 D705,556 S 5/2014 Udagawa

D713,190 S 9/2014 Behar
 D713,658 S 9/2014 Smeds et al.
 D717,554 S 11/2014 Kapka
 D727,644 S 4/2015 Sorel
 D728,281 S 5/2015 Heirakuji et al.
 D729,560 S 5/2015 Hamm et al.
 D730,071 S 5/2015 Sorel
 D732,318 S* 6/2015 Engebretson D6/657
 D734,631 S 7/2015 Velez
 D734,964 S* 7/2015 Ward D6/656.1
 D741,094 S* 10/2015 Martell D6/702
 D741,616 S 10/2015 Sneve et al.
 D753,419 S 4/2016 Heirakuji et al.
 D758,106 S 6/2016 Hamm et al.
 D763,016 S 8/2016 Clark et al.
 D766,630 S 9/2016 Akana et al.
 D766,631 S 9/2016 Akana et al.
 D776,471 S 1/2017 Mandon et al.
 D781,620 S* 3/2017 Curthelet D6/671
 D783,324 S* 4/2017 Akana D6/691.1
 D787,239 S* 5/2017 Denby D6/657
 D788,506 S 6/2017 Choi
 D795,613 S 8/2017 Hamm et al.
 D796,234 S* 9/2017 Thaler D6/675
 D810,458 S* 2/2018 Cartier D6/384
 D810,476 S 2/2018 Heirakuji et al.
 D810,482 S* 2/2018 Modlin D6/691
 D811,133 S* 2/2018 Tsuchiyama D6/675
 D815,474 S* 4/2018 Modlin D6/691.2
 D821,116 S 6/2018 Hamm et al.
 D836,956 S* 1/2019 Tsuchiyama D6/675.1
 D840,726 S* 2/2019 Denby D6/648.2
 D847,542 S* 5/2019 Lipparini D6/657
 D848,773 S* 5/2019 Akana D6/702

* cited by examiner

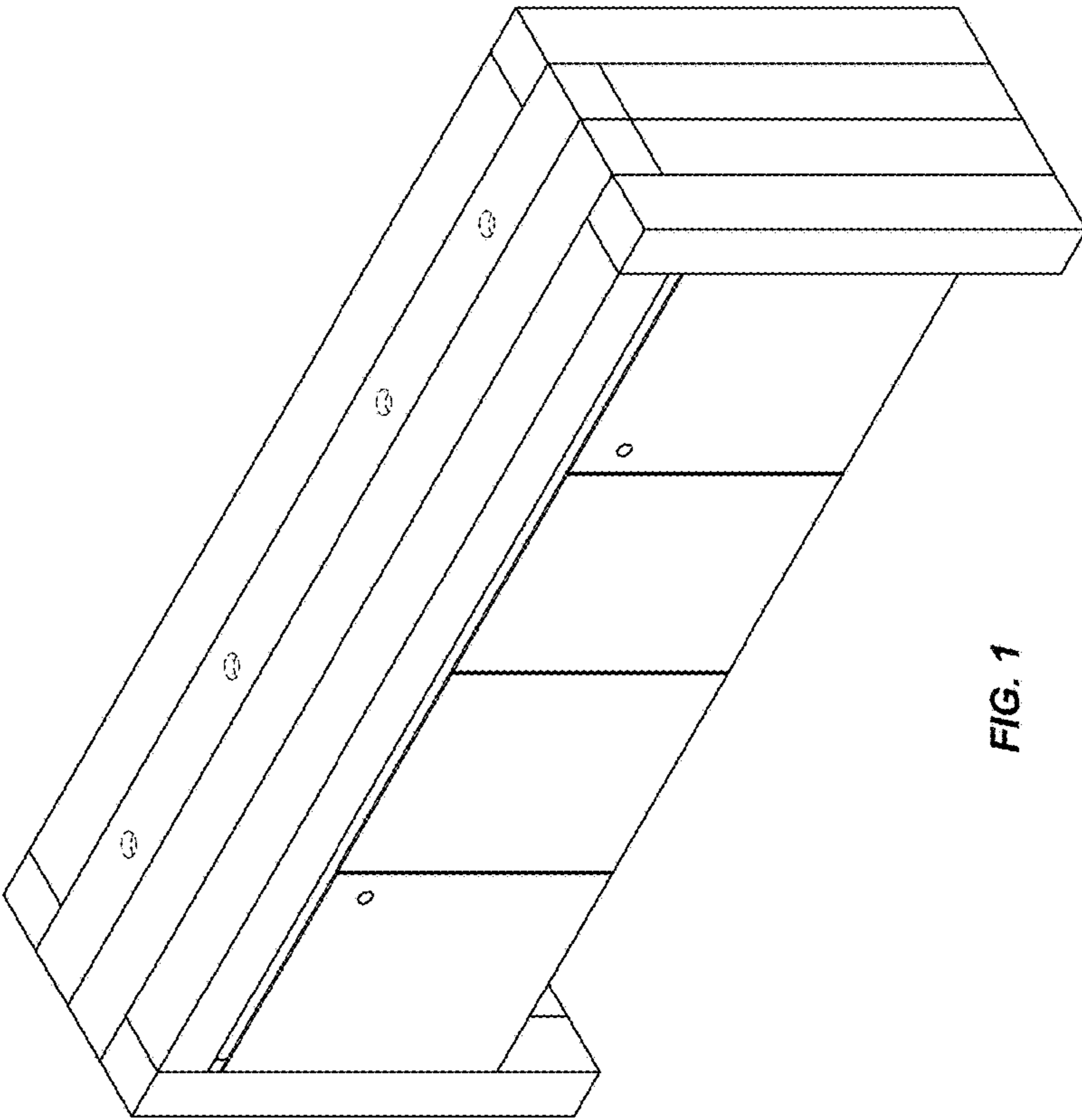


FIG. 1

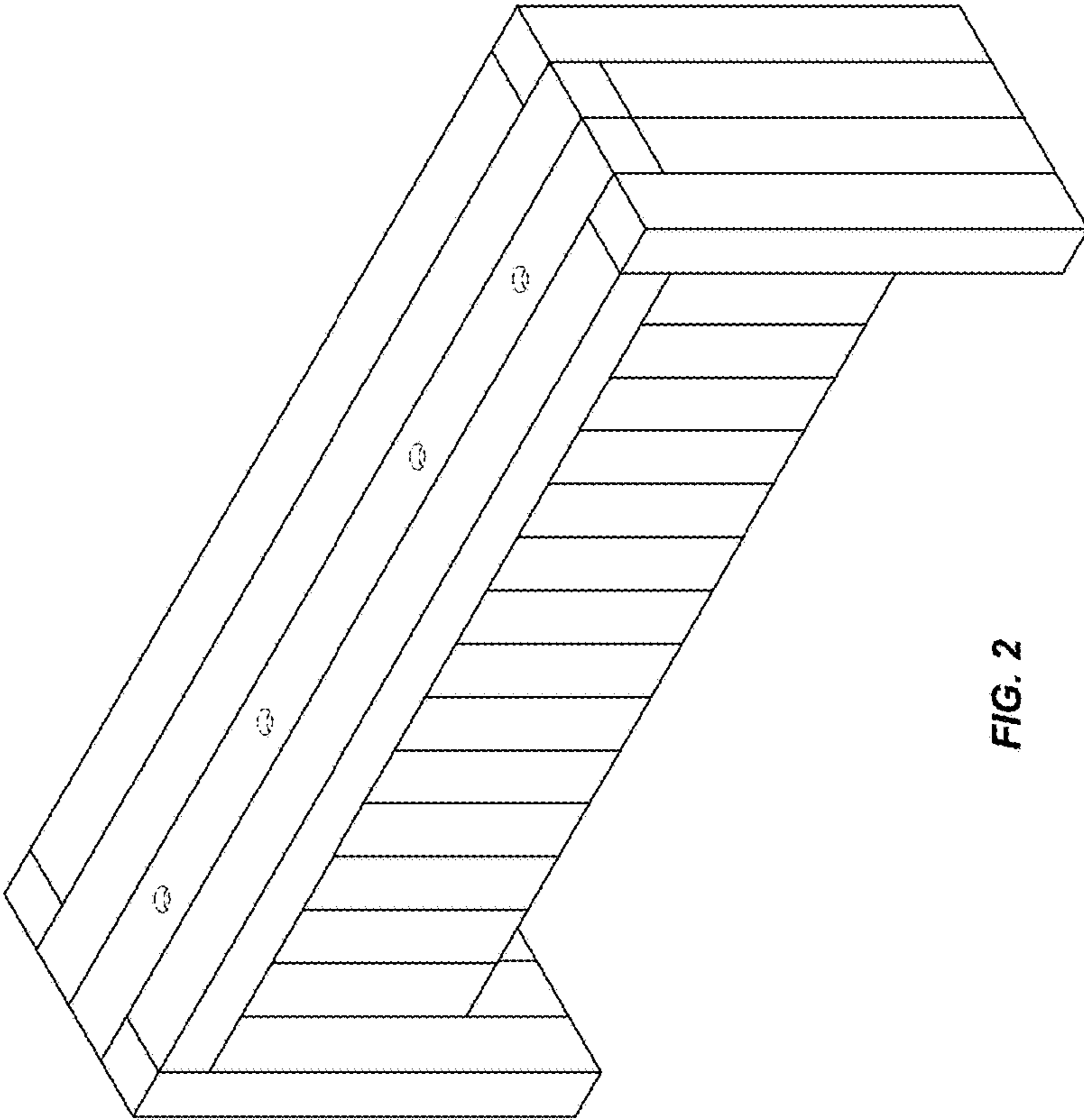


FIG. 2

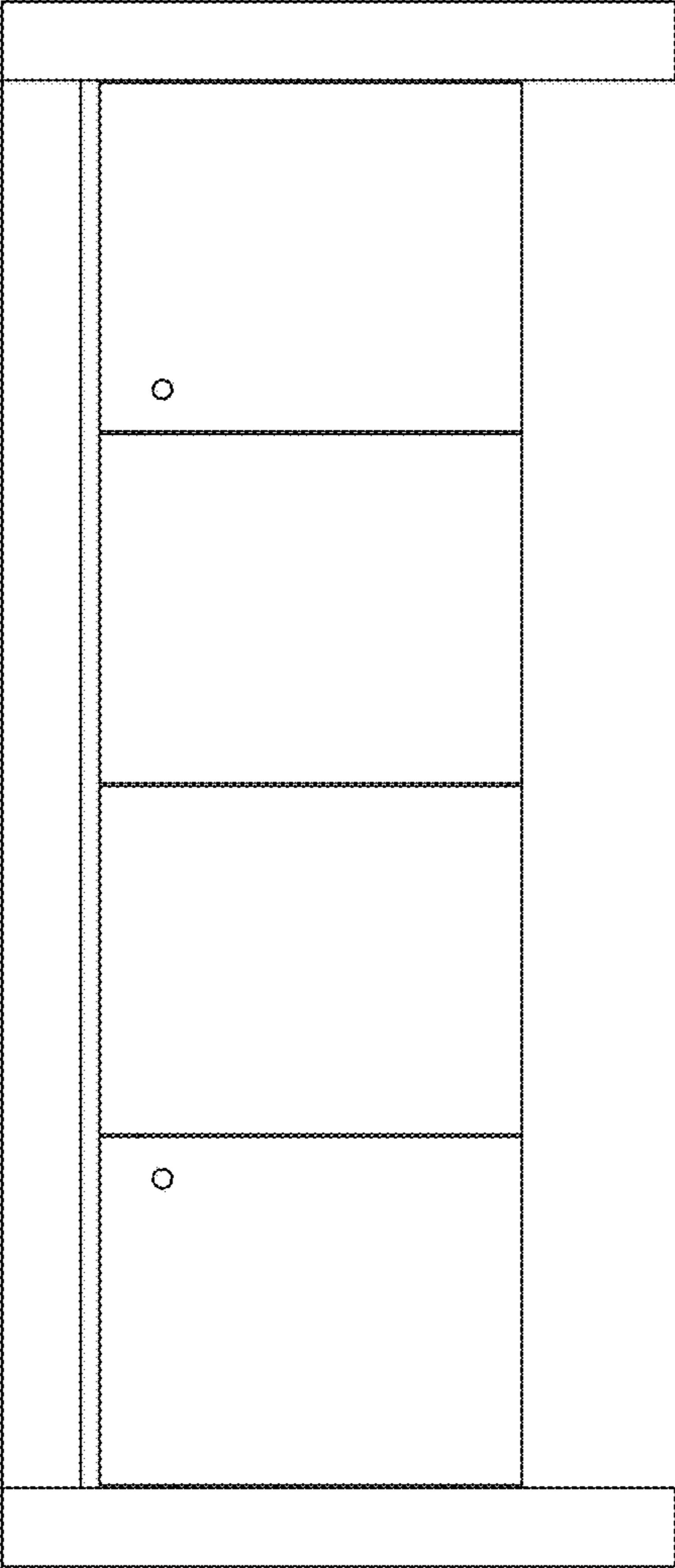


FIG. 3

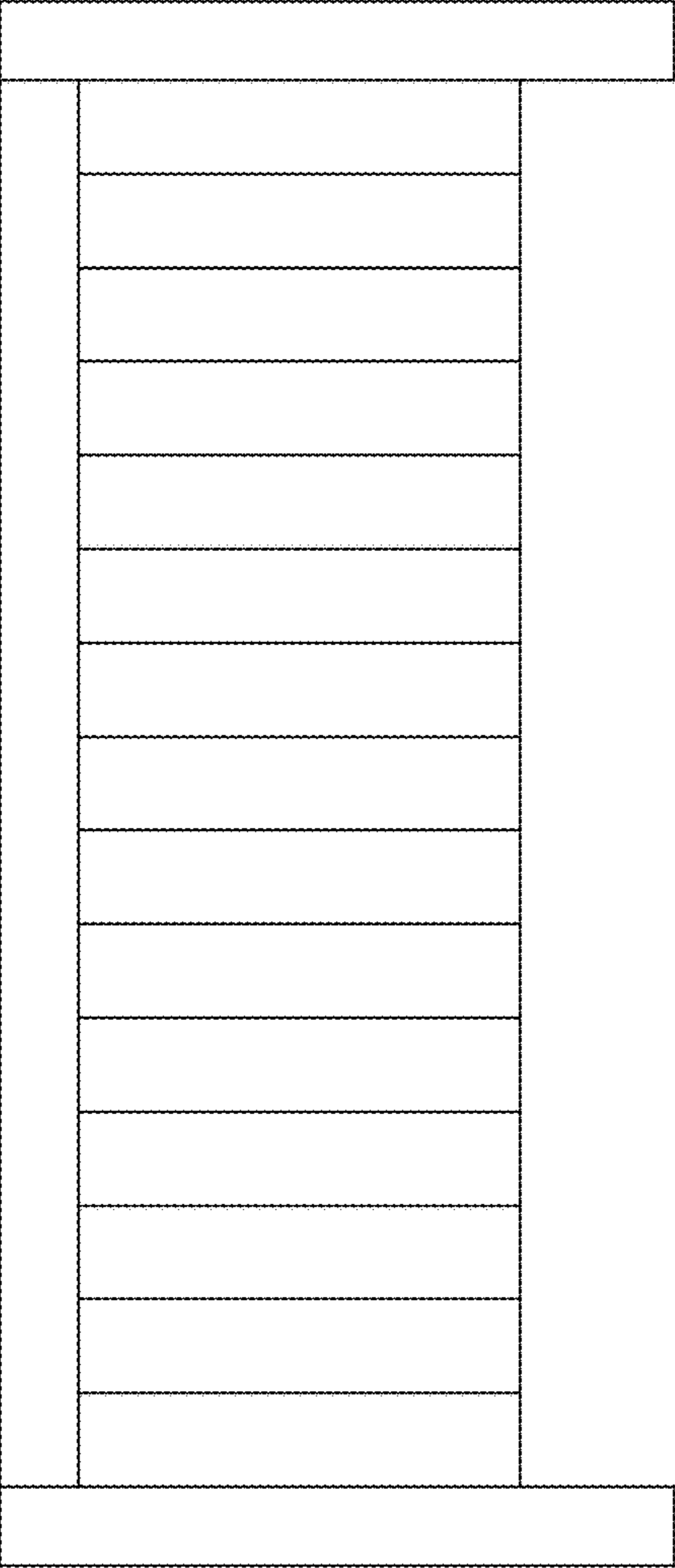


FIG. 4

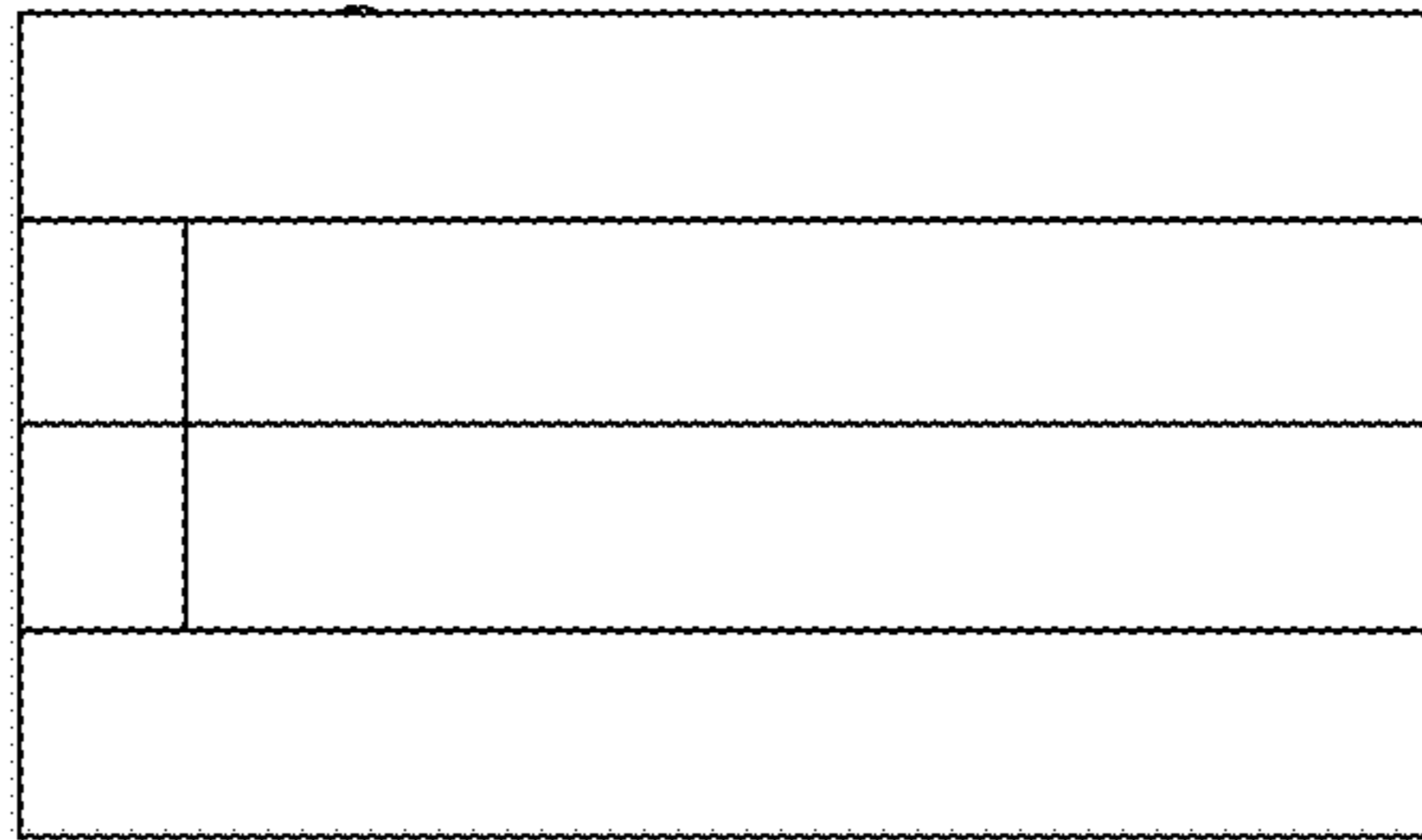


FIG. 6

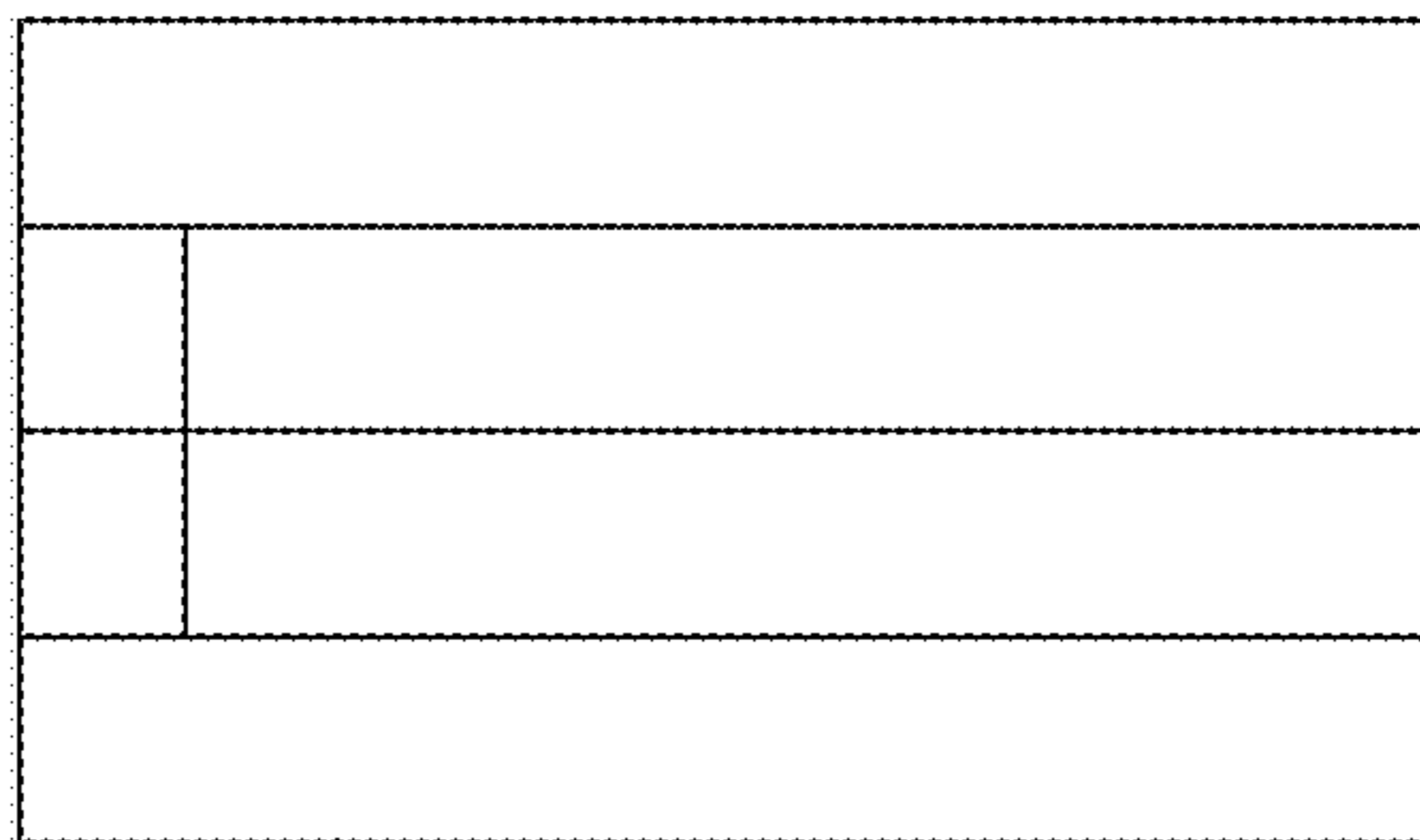


FIG. 5

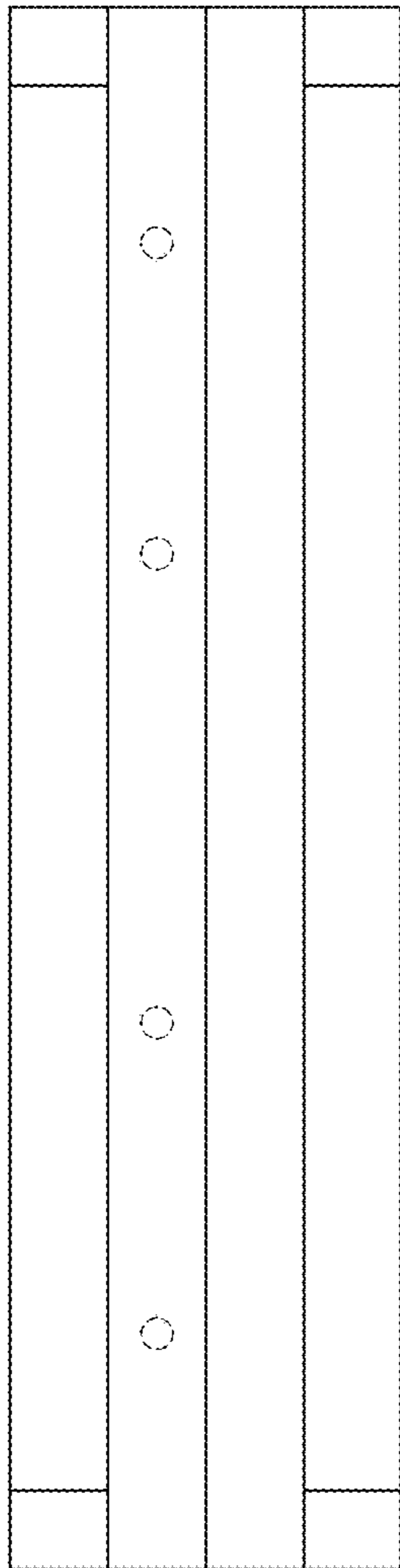


FIG. 7

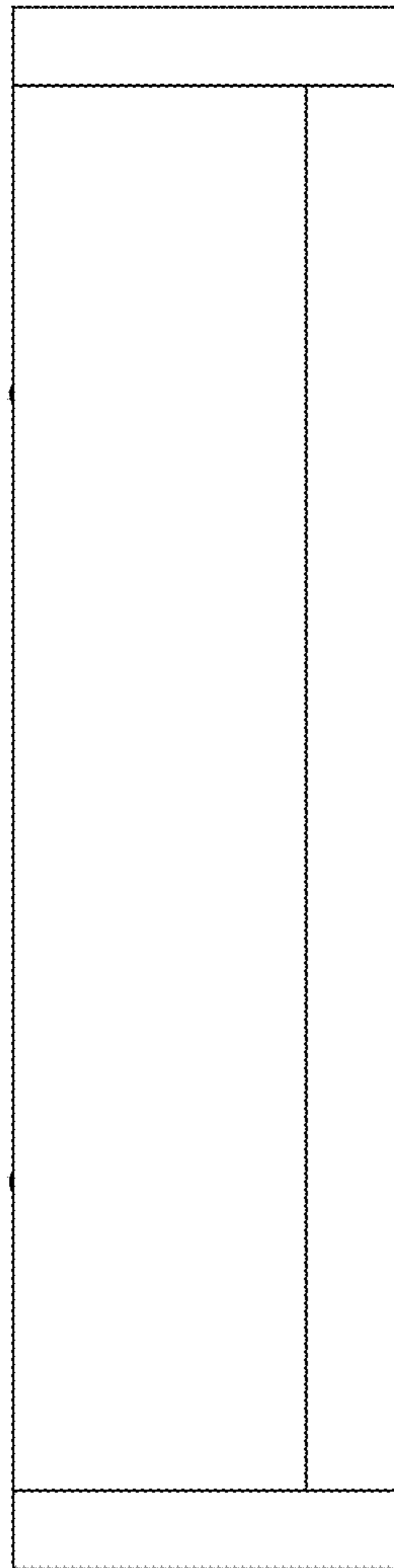


FIG. 8

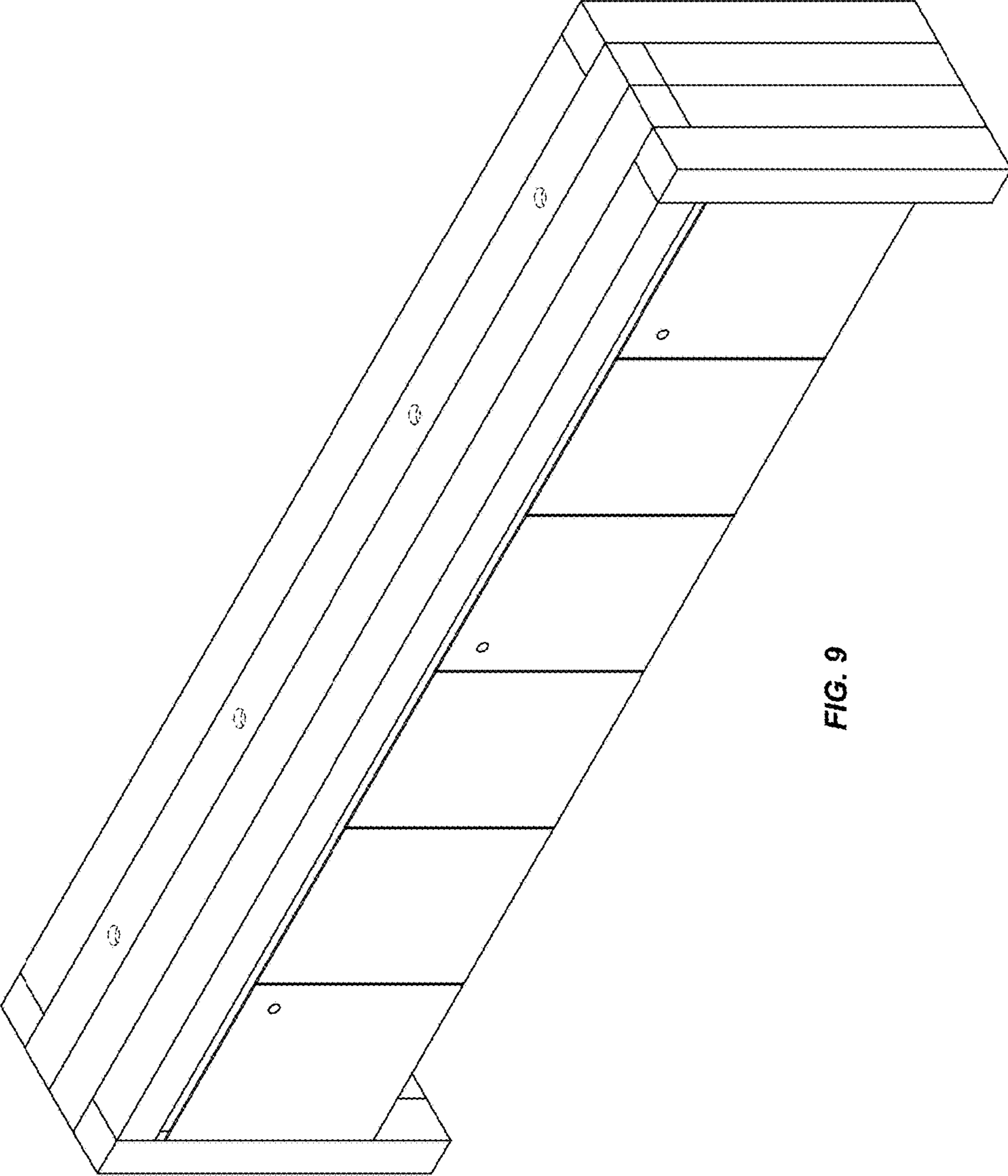


FIG. 9

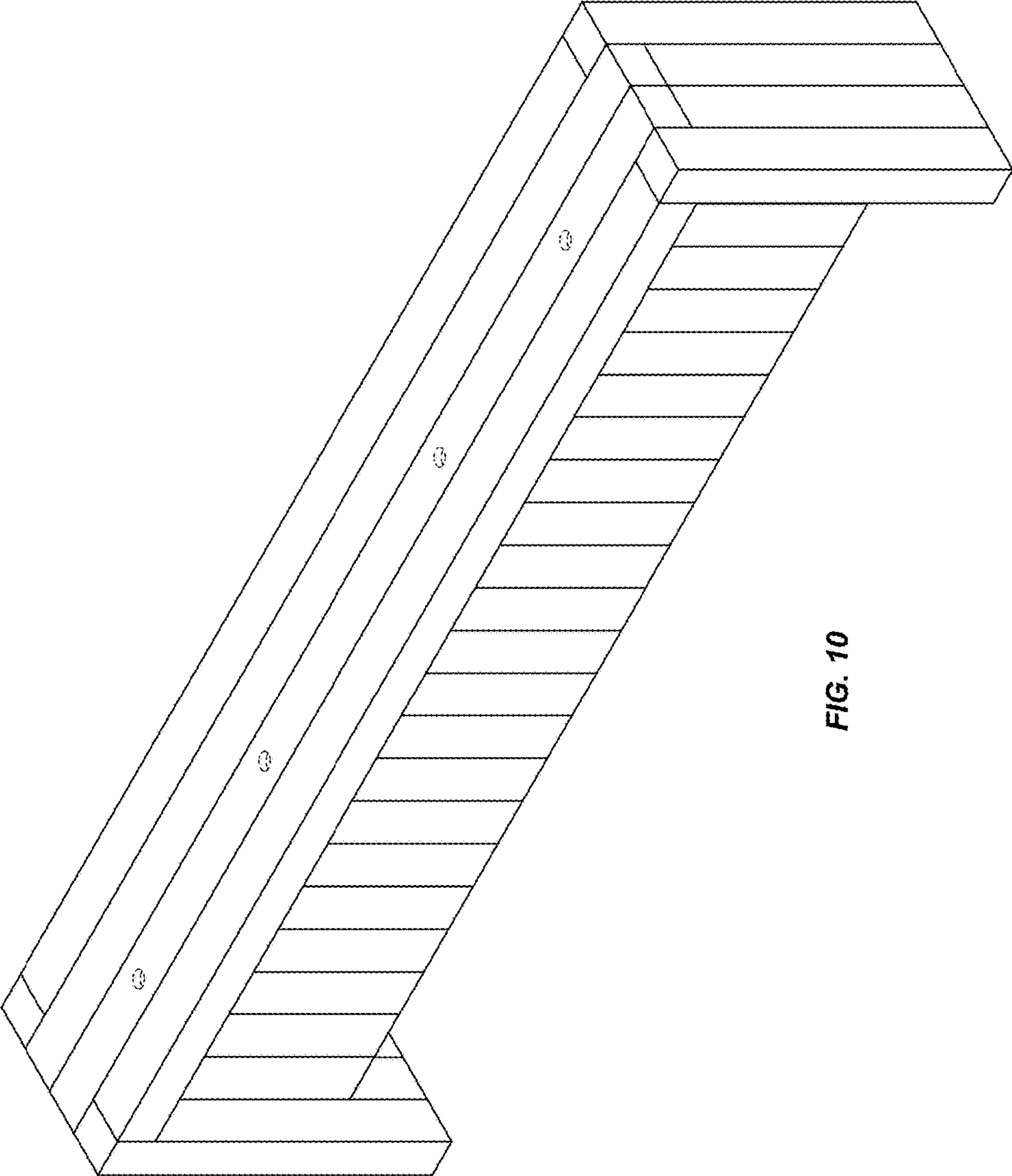


FIG. 10

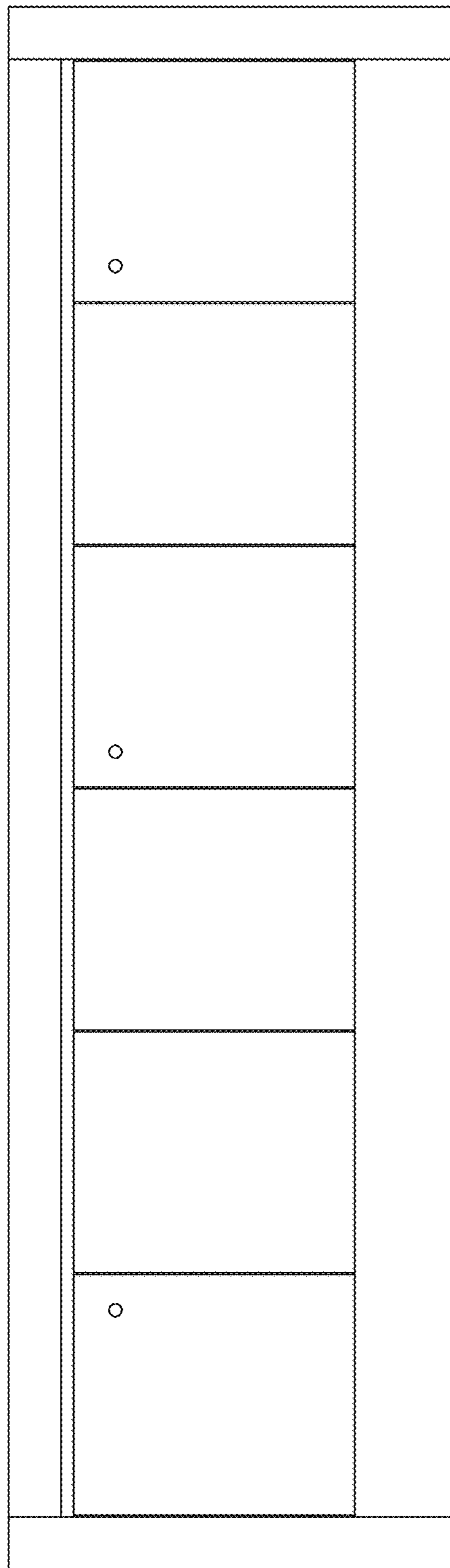


FIG. 11

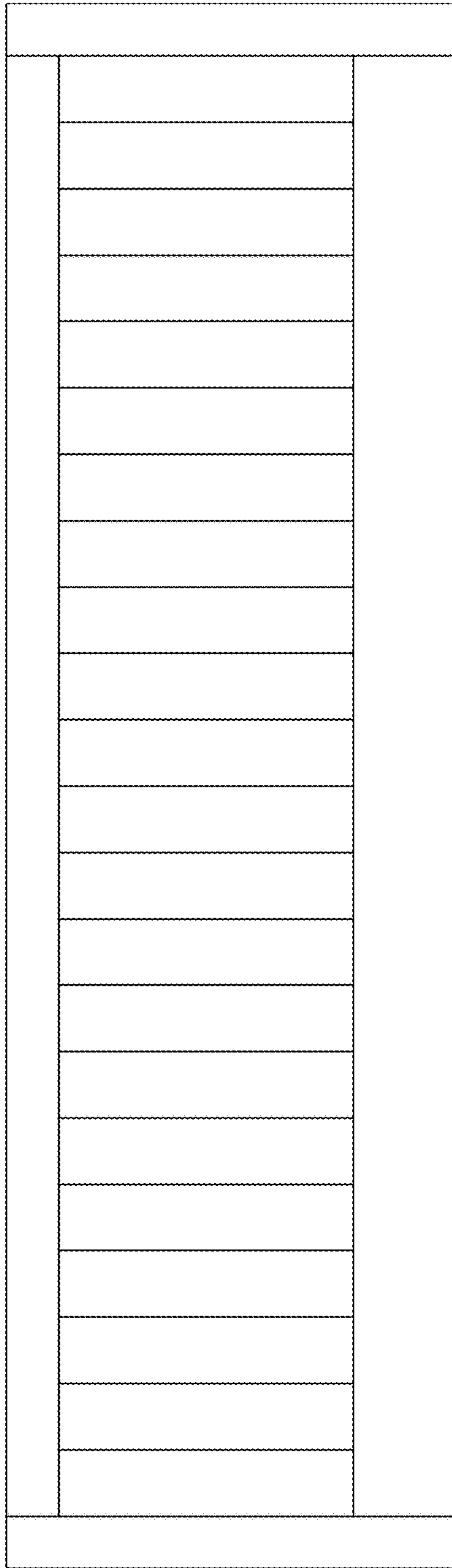


FIG. 12

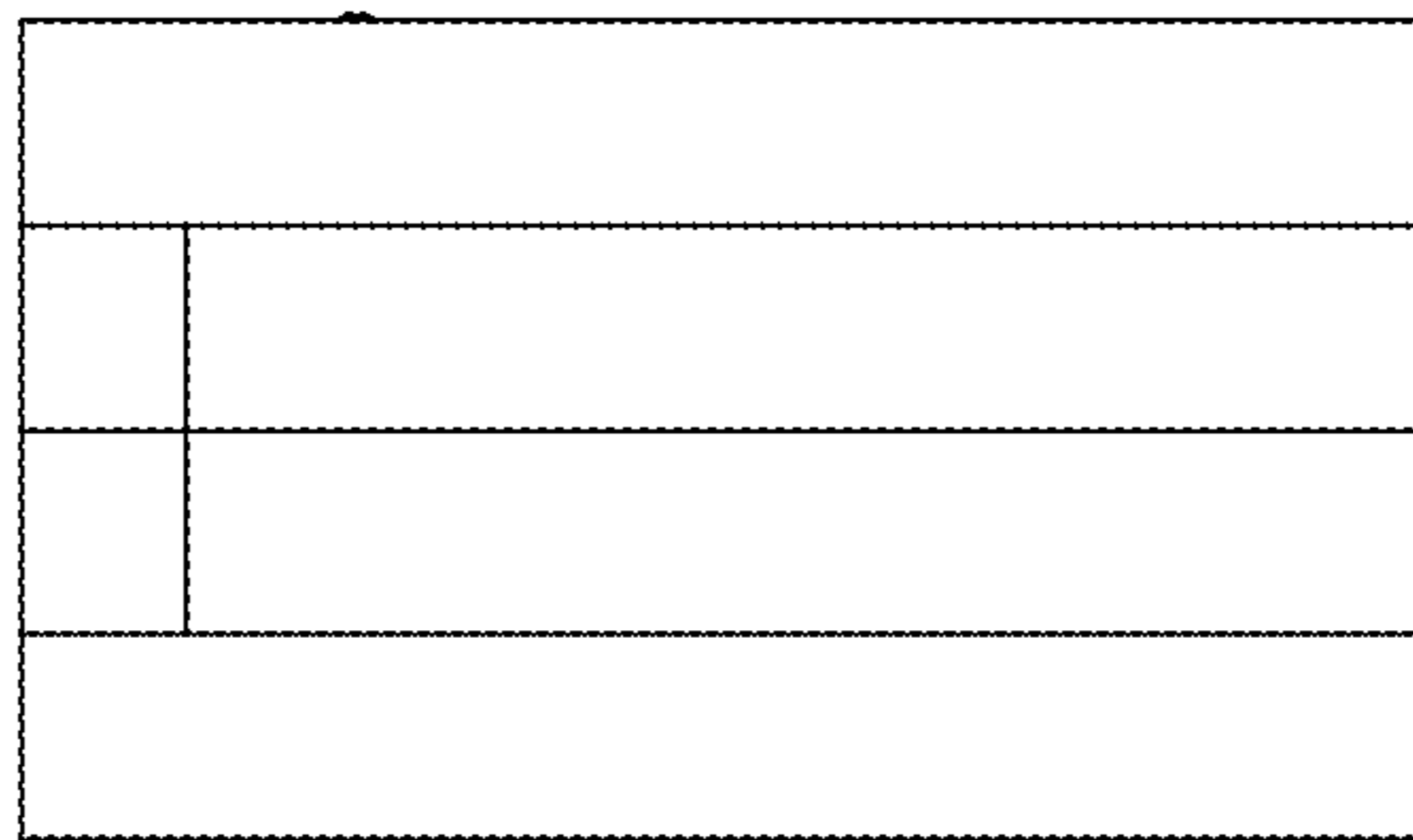


FIG. 14

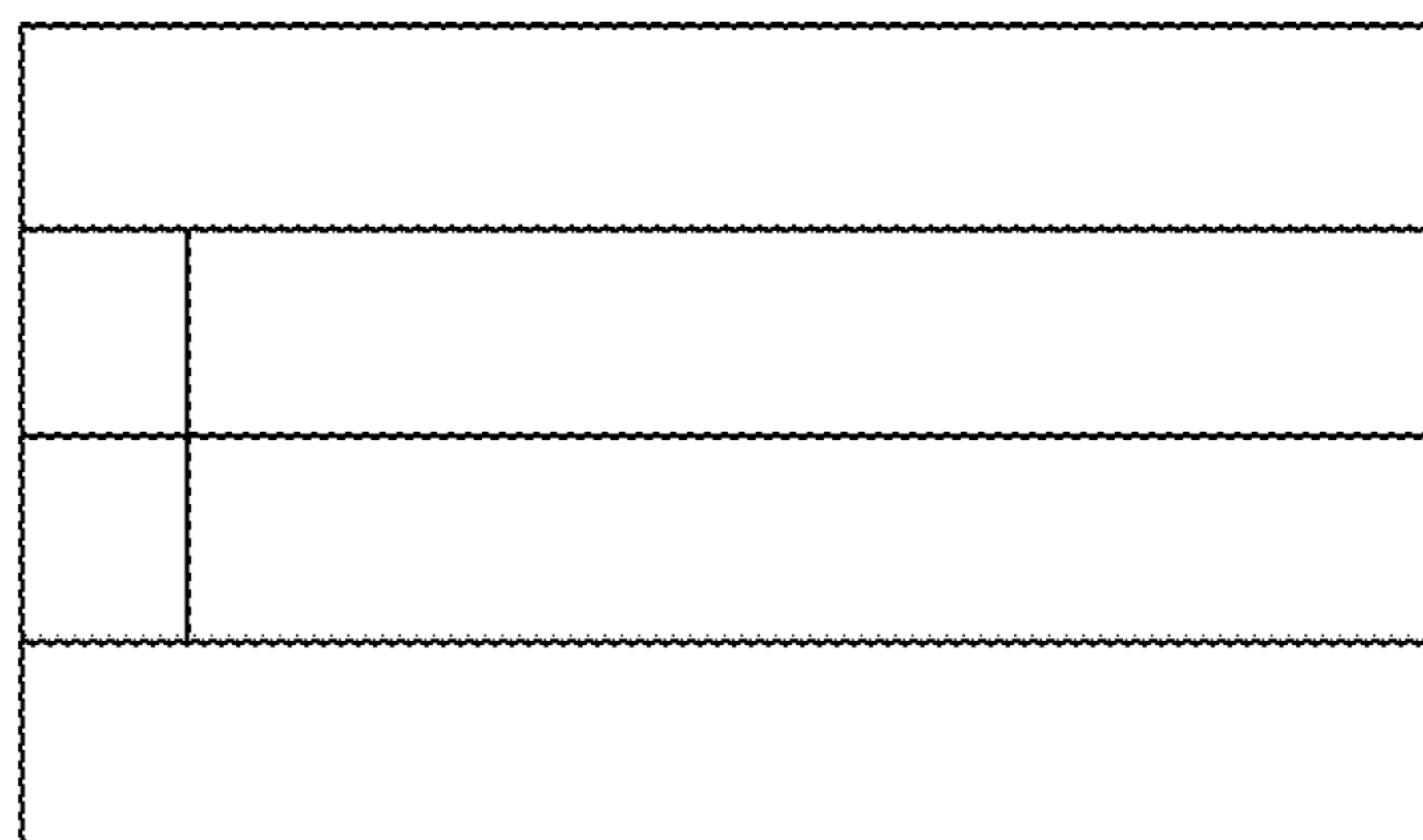


FIG. 13

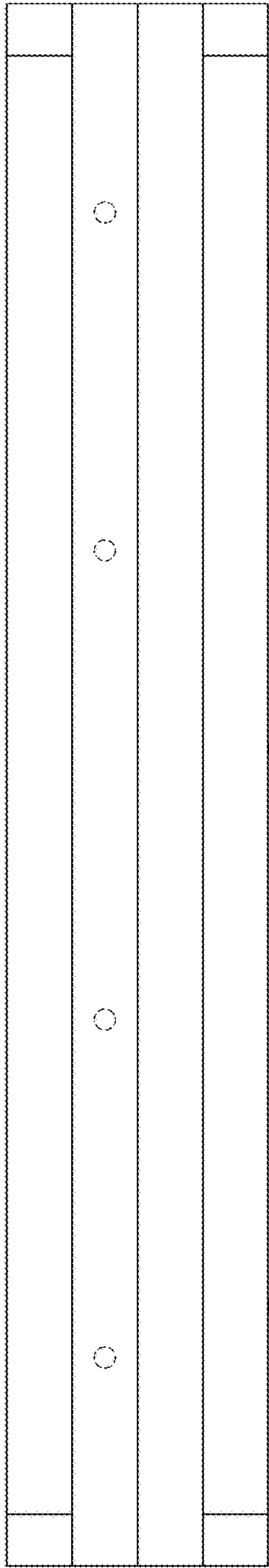


FIG. 15

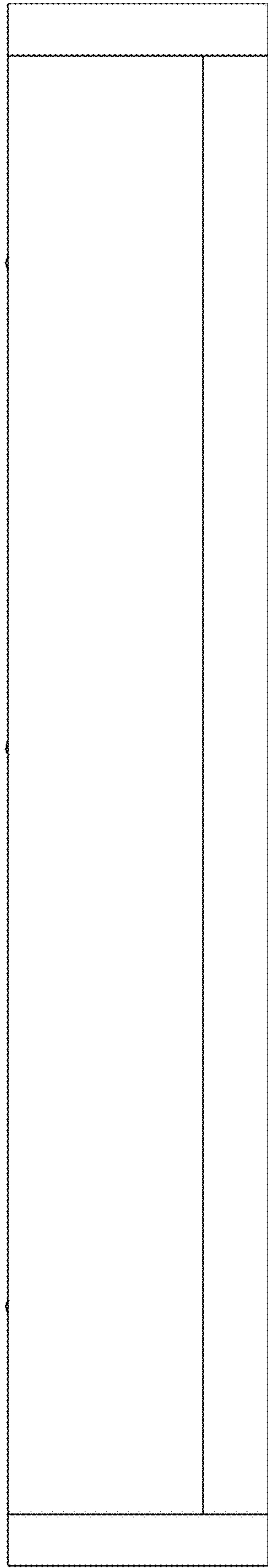


FIG. 16