



US00D859888S

(12) **United States Design Patent** (10) **Patent No.:** **US D859,888 S**
Castro (45) **Date of Patent:** **** Sep. 17, 2019**

(54) **PILLOW**
(71) Applicant: **Shoulder-eeze, LLC**, Corpus Christy, TX (US)
(72) Inventor: **Enrique G Castro**, Corpus Christy, TX (US)
(73) Assignee: **Shoulder-eeze, LLC**, Corpus Christy, TX (US)

3,757,364 A * 9/1973 Downing A47G 9/10
5/636
3,757,365 A * 9/1973 Kretchmer A47G 9/10
5/636
D247,312 S * 2/1978 Zeiss D24/215
4,118,813 A * 10/1978 Armstrong A47G 9/10
5/636

(Continued)

(**) Term: **15 Years**
(21) Appl. No.: **29/658,020**

(22) Filed: **Jul. 27, 2018**
(51) **LOC (12) Cl.** **06-09**
(52) **U.S. Cl.**
USPC **D6/601**
(58) **Field of Classification Search**
USPC D6/333, 349, 355, 375, 388, 512, 563,
D6/564, 595, 596, 601, 604, 611, 707,
D6/715, 716, 716.1; D24/183-185, 234;
D21/803, 804, 805, 809; 5/401, 420,
5/600, 630, 631, 632, 633, 635, 636, 638,
5/639, 646, 652, 652.1, 655, 703, 730;
297/1, 2, 4, 93, 180.11, 195.1, 195.11,
297/195.13, 393, 397, 452.12, 452.14,
297/452.15, 452.21, 452.24, 452.26,
297/452.48, 452.62, 482
CPC A47G 9/10; A47G 9/1009; A47G 9/1018;
A47G 9/1027; A47G 9/1036; A47G
9/1045; A47G 9/1063; A47G 9/1072;
A47G 9/1081; A47G 9/109; A47C 7/021;
A47C 27/00

See application file for complete search history.

(56) **References Cited**
U.S. PATENT DOCUMENTS

2,295,906 A * 9/1942 Lacour A47G 9/10
310/68 D
2,835,905 A * 5/1958 Tomasson A47G 9/10
5/632

OTHER PUBLICATIONS

Shoulder Relief Pillow: announced unknown, [online], [site visited Apr. 27, 2019]. Available from Internet, <https://www.shoulderreliefpillow.com/product-page/shoulder-eeze-pillow-small> (Year: 2019).*

Primary Examiner — Michelle E. Wilson
Assistant Examiner — Sanjeev Paul
(74) *Attorney, Agent, or Firm* — Shah IP Law, PLLC;
Samar Shah

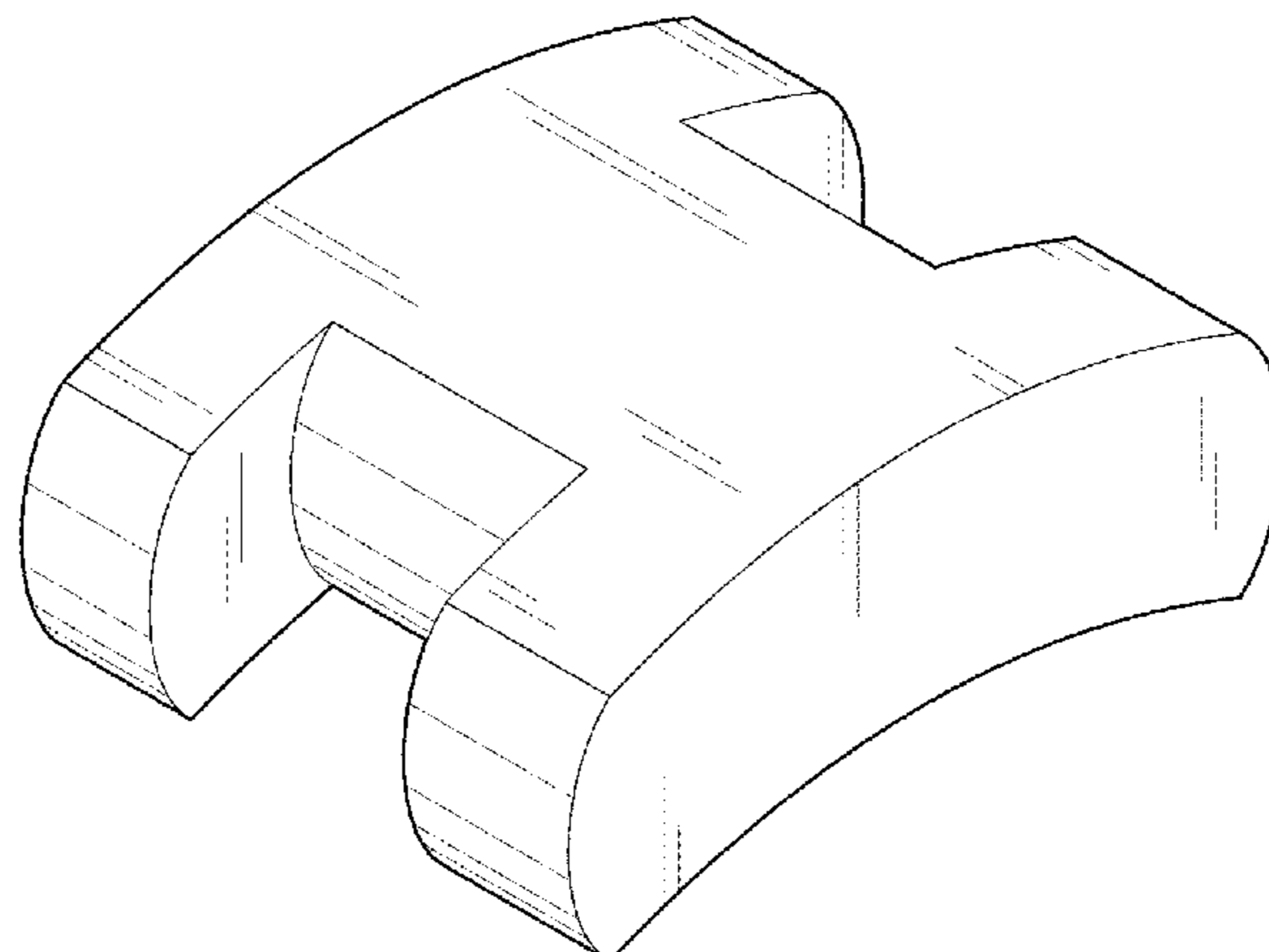
(57) **CLAIM**

The ornamental design for a pillow, as shown and described.

DESCRIPTION

FIG. 1 is a top perspective view of a pillow;
FIG. 2 is a bottom perspective view thereof;
FIG. 3 is a front elevation view thereof;
FIG. 4 is a left-side elevation view thereof;
FIG. 5 is a right-side elevation view thereof;
FIG. 6 is a top plan view thereof;
FIG. 7 is a bottom plan view thereof;
FIG. 8 is a side perspective view thereof;
FIG. 9 is a side perspective view thereof; and,
FIG. 10 is another top plan view thereof.
In FIG. 10, the broken lines showing a human illustrates the environmental in which the body pillow is used and forms no part of the claimed design.

1 Claim, 5 Drawing Sheets



(56)

References Cited

U.S. PATENT DOCUMENTS

4,473,913 A * 10/1984 Ylvisaker A47C 20/021
5/632
4,536,905 A * 8/1985 DeSantis A61F 5/56
5/636
5,360,017 A * 11/1994 Austin A47G 9/10
5/640
5,457,832 A * 10/1995 Tatum A61F 5/01
5/636
D388,648 S * 1/1998 Bates 5/636
D434,936 S * 12/2000 May D6/601
7,165,279 B1 * 1/2007 Georgescu A47G 9/10
5/490
D540,096 S * 4/2007 Fuksas D6/601
D541,096 S * 4/2007 Georgescu D6/601
D690,535 S * 10/2013 Huang D6/601
8,806,684 B1 * 8/2014 Ortega A47G 9/109
5/632
D769,029 S * 10/2016 Okwumabua D6/601
9,615,682 B1 * 4/2017 Maddocks B60N 2/80
D845,033 S * 4/2019 Berg D6/601
2008/0282474 A1 * 11/2008 Hsin A47G 9/10
5/640
2013/0232693 A1 * 9/2013 Myers A47G 9/10
5/636
2018/0303259 A1 * 10/2018 Glatt A47G 9/10

* cited by examiner

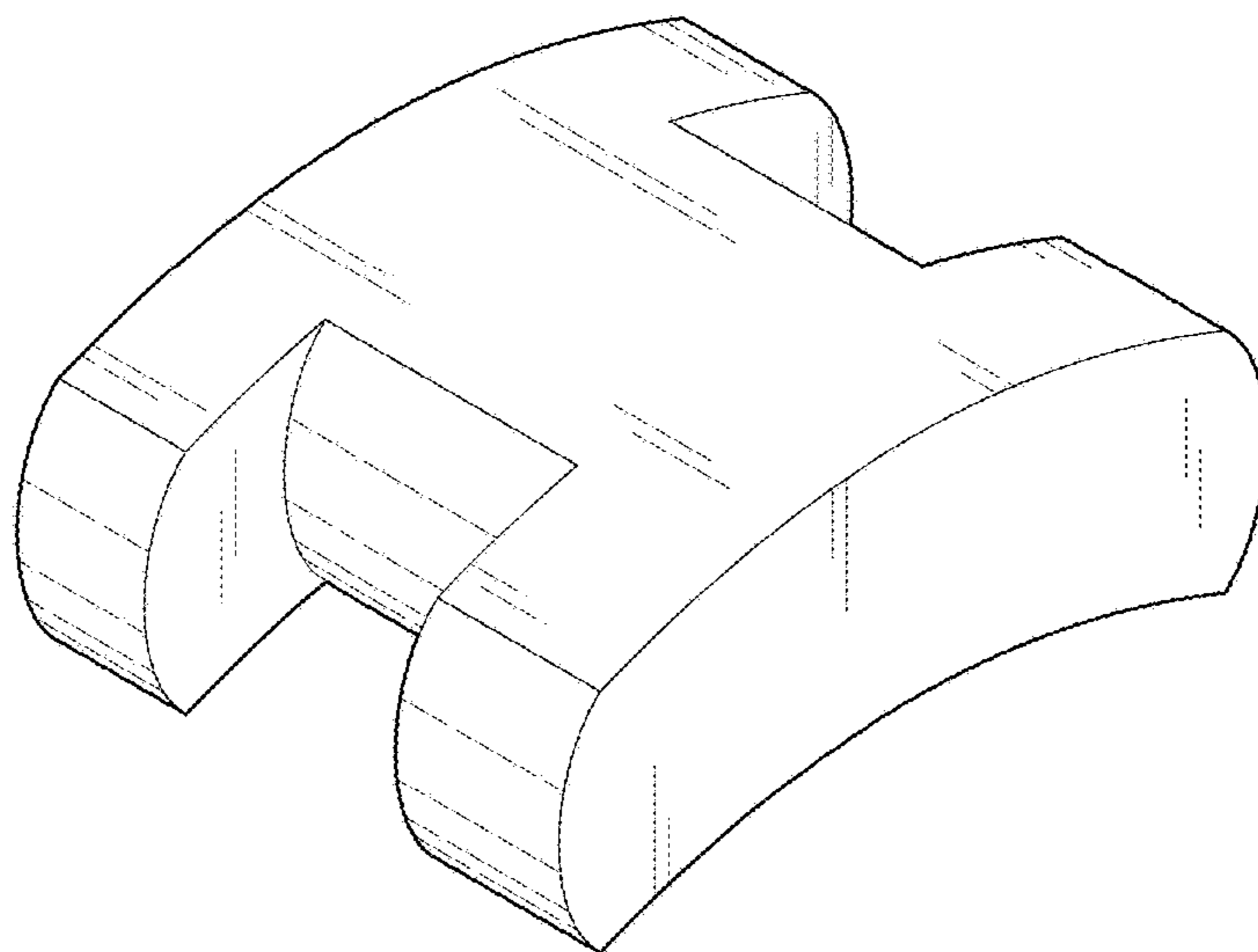


FIG. 1

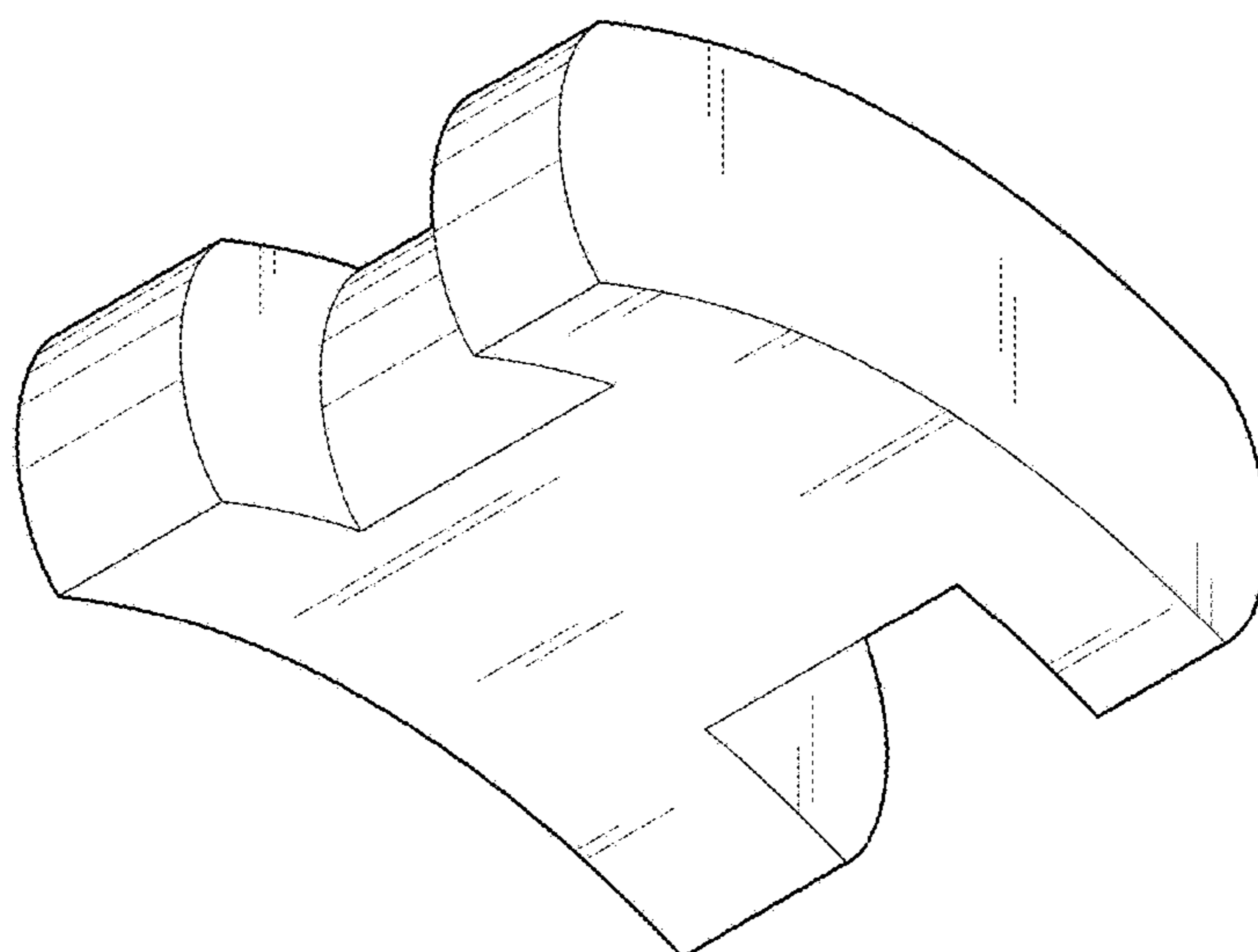


FIG. 2

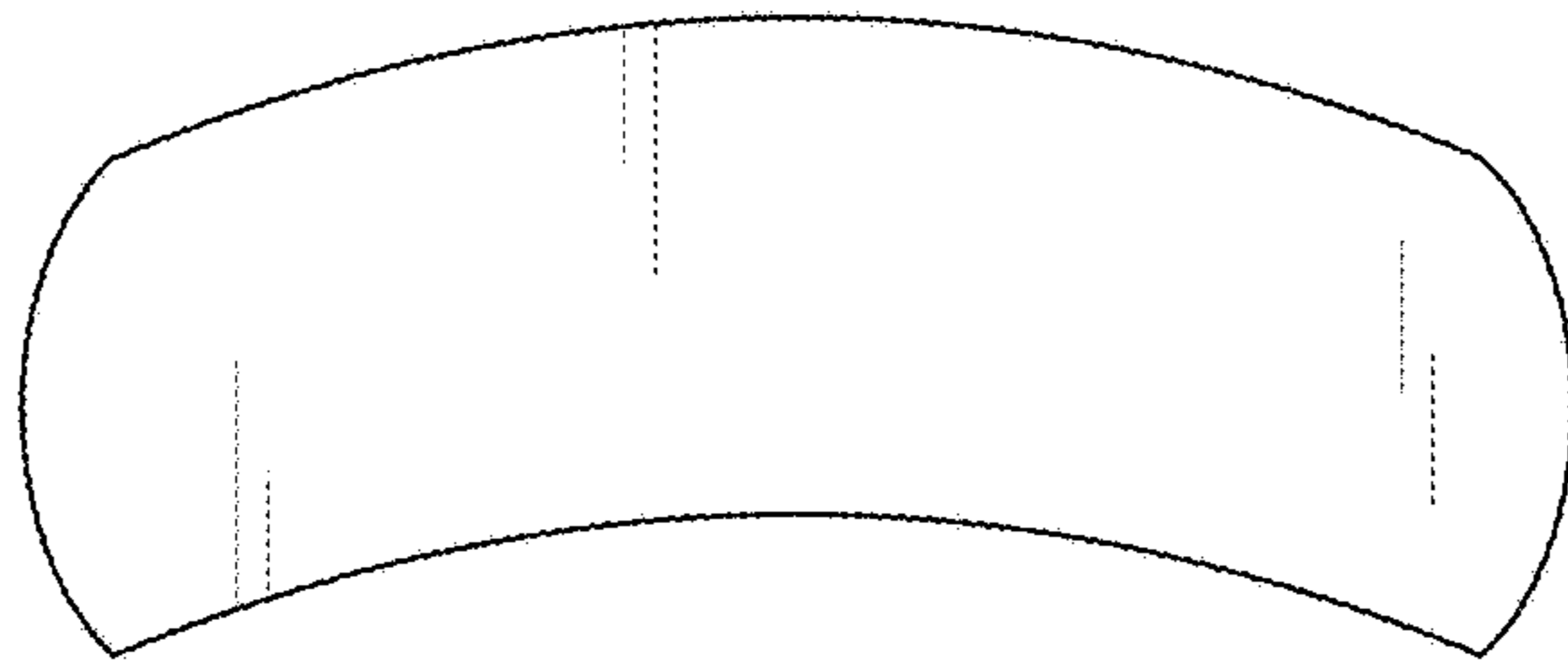


FIG. 3

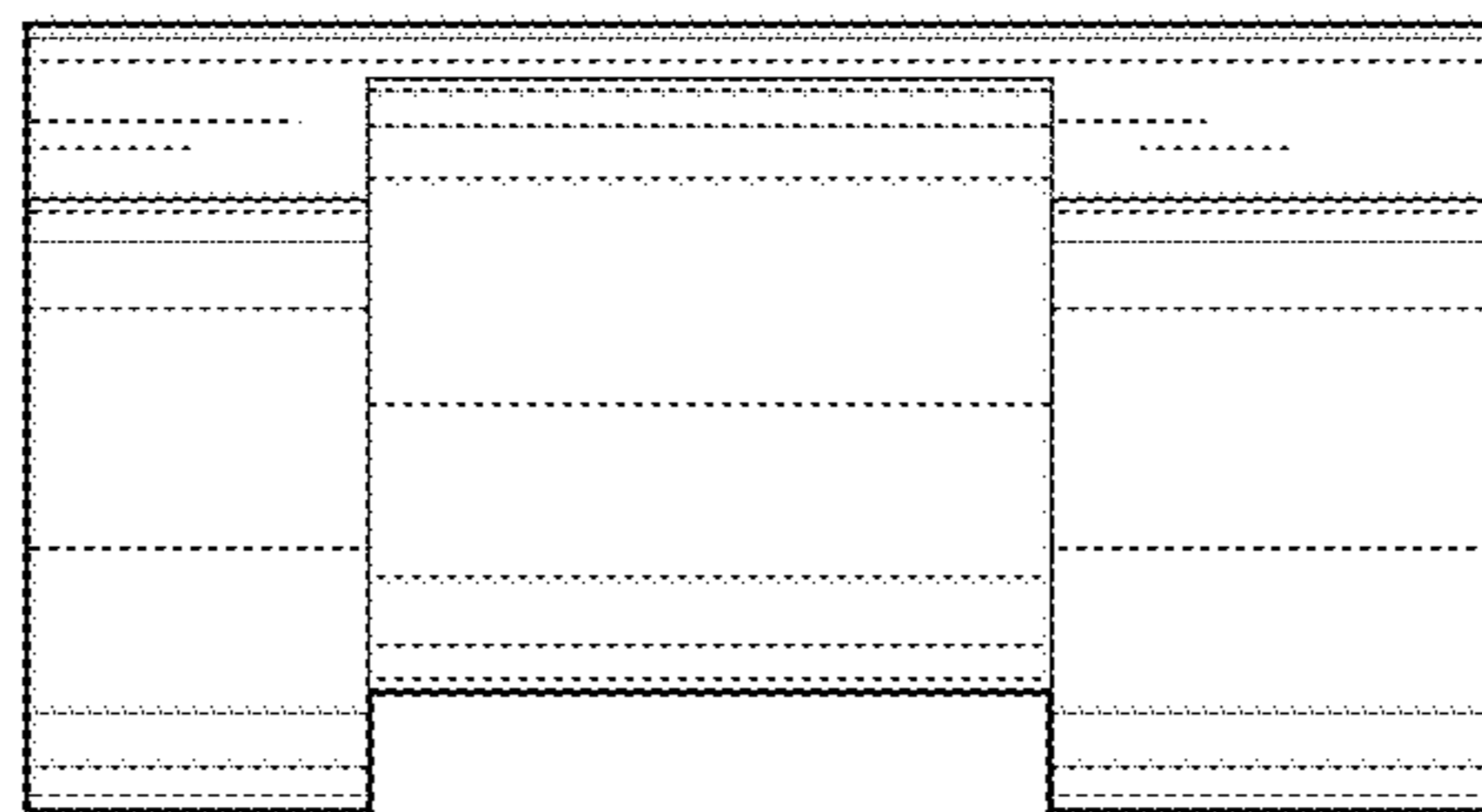


FIG. 4

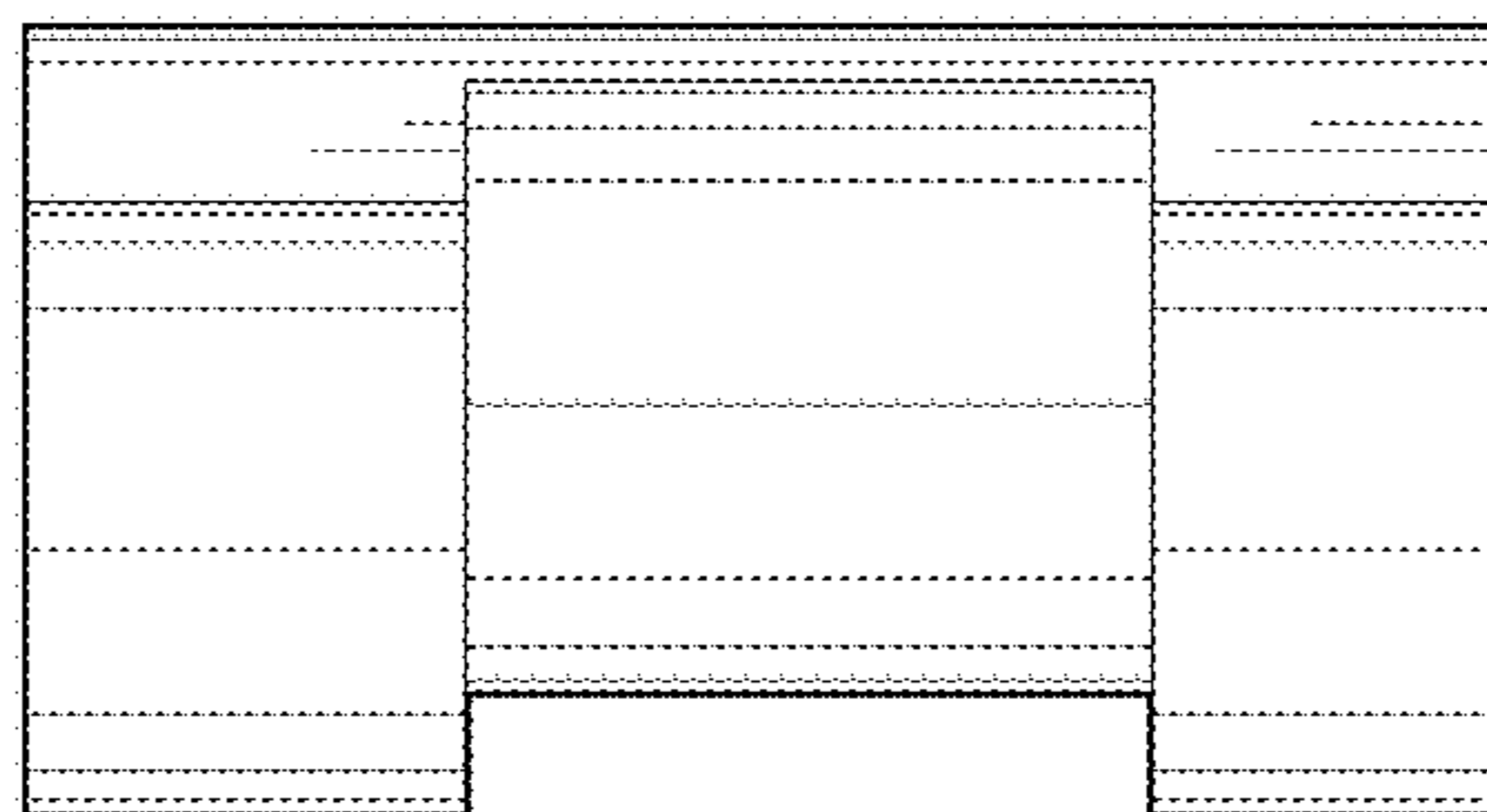


FIG. 5

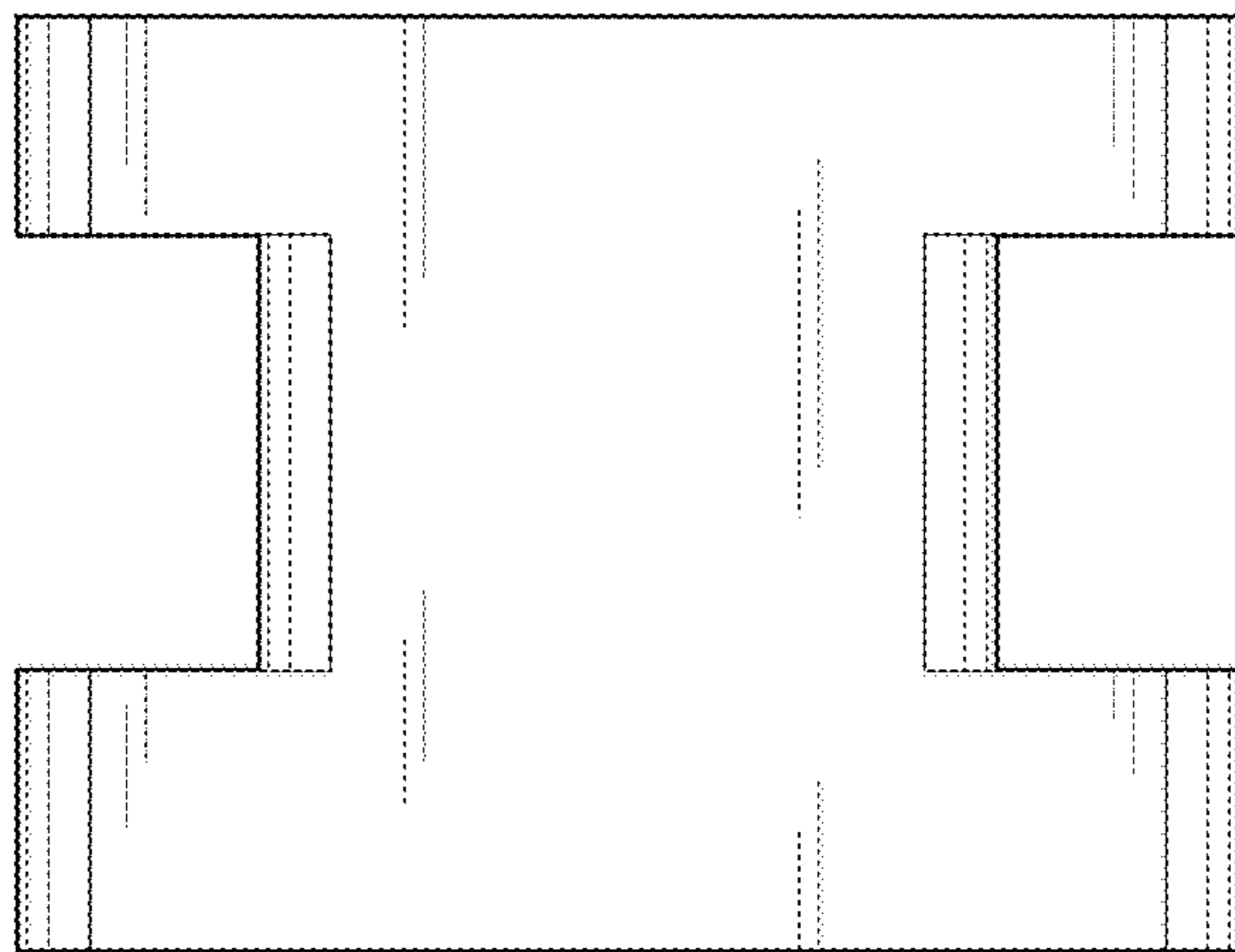


FIG. 6

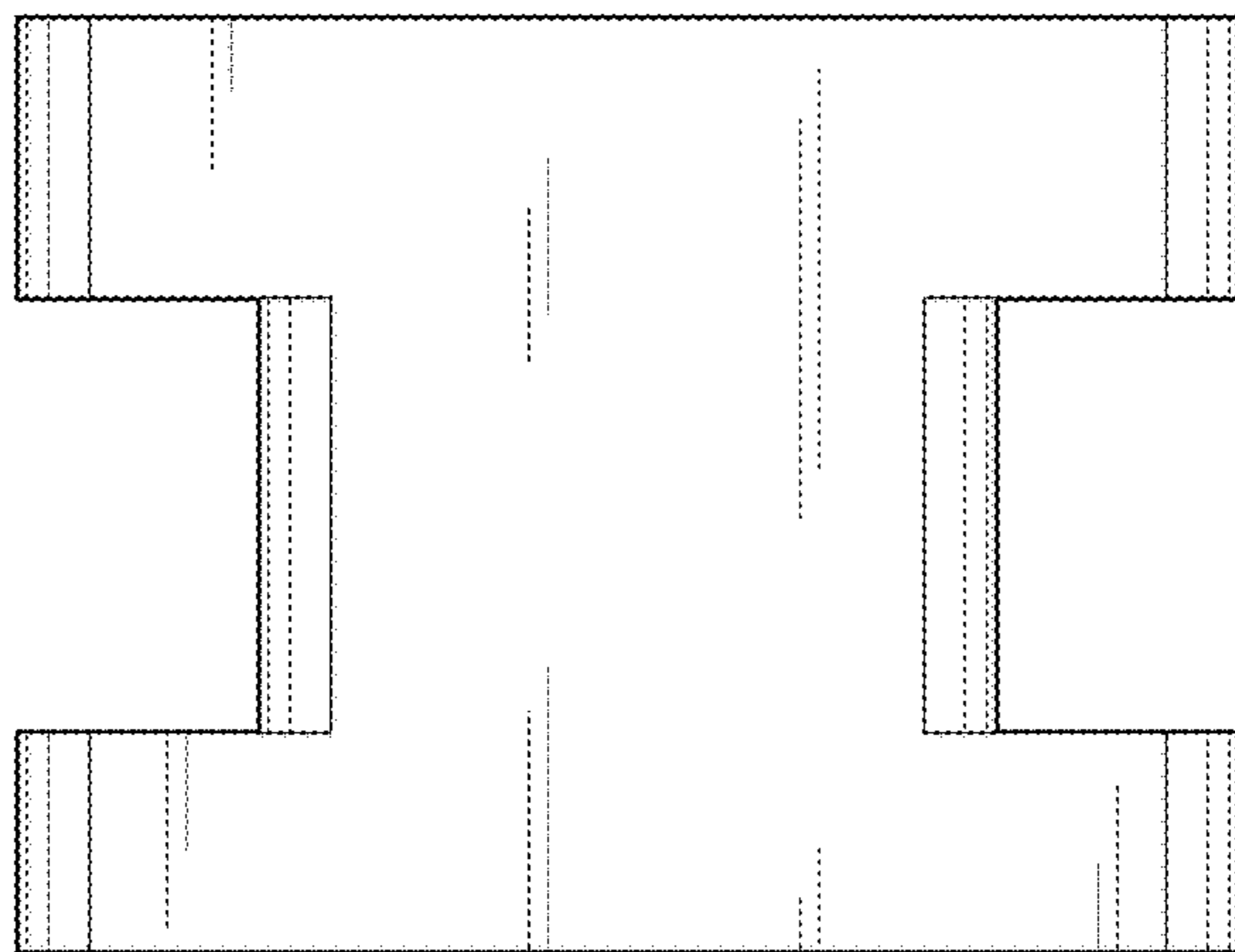


FIG. 7

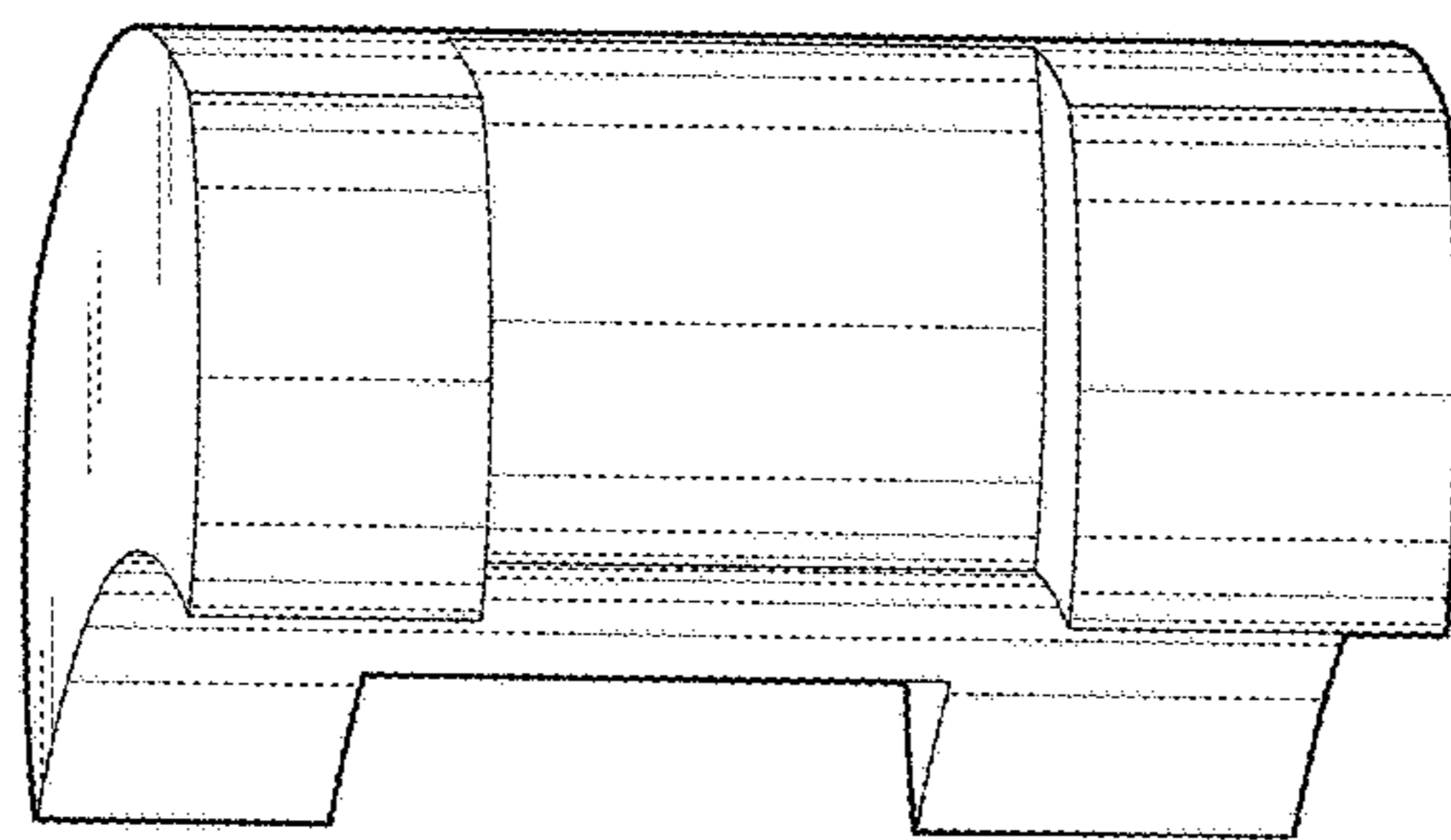


FIG. 8

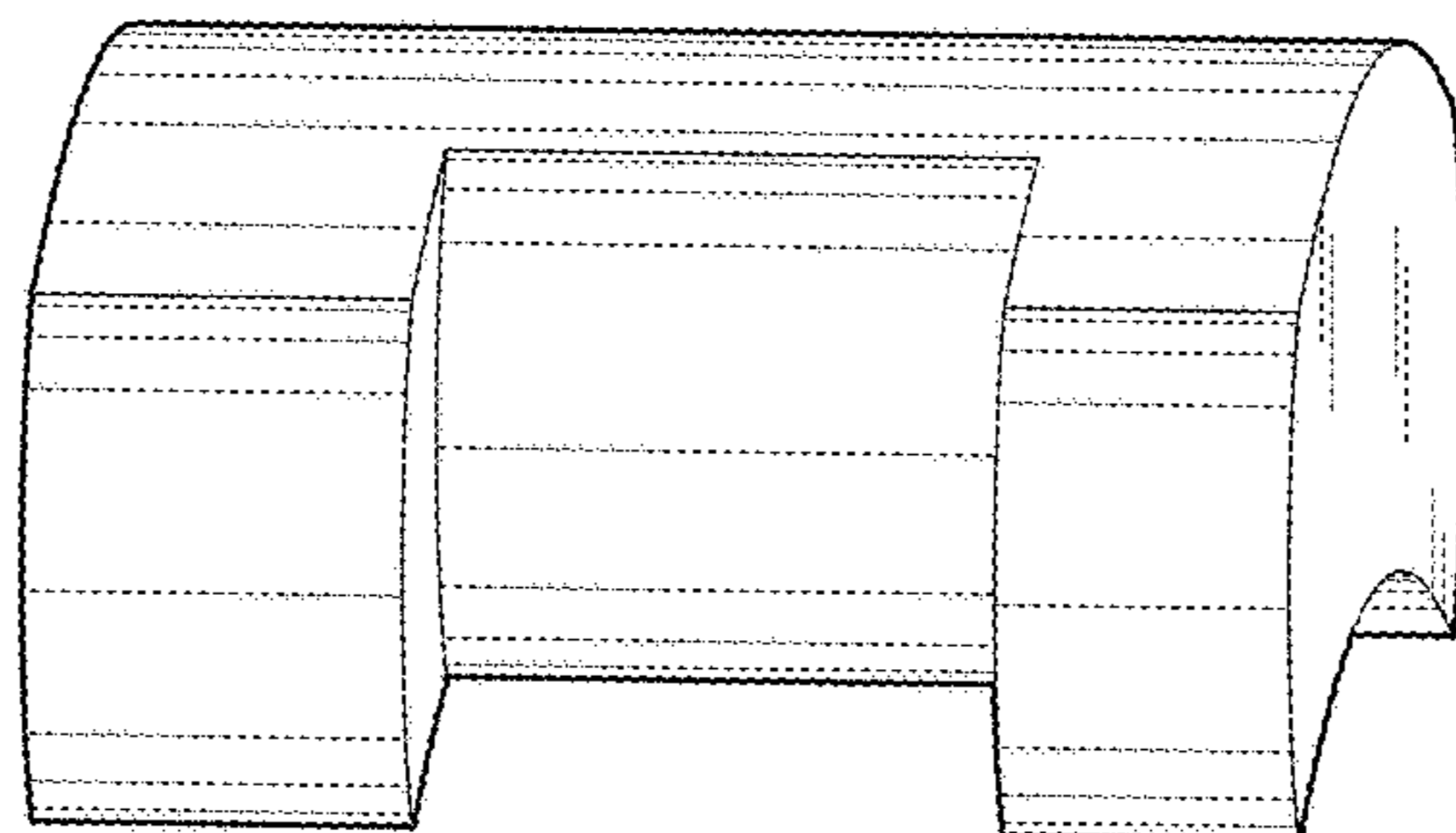


FIG. 9

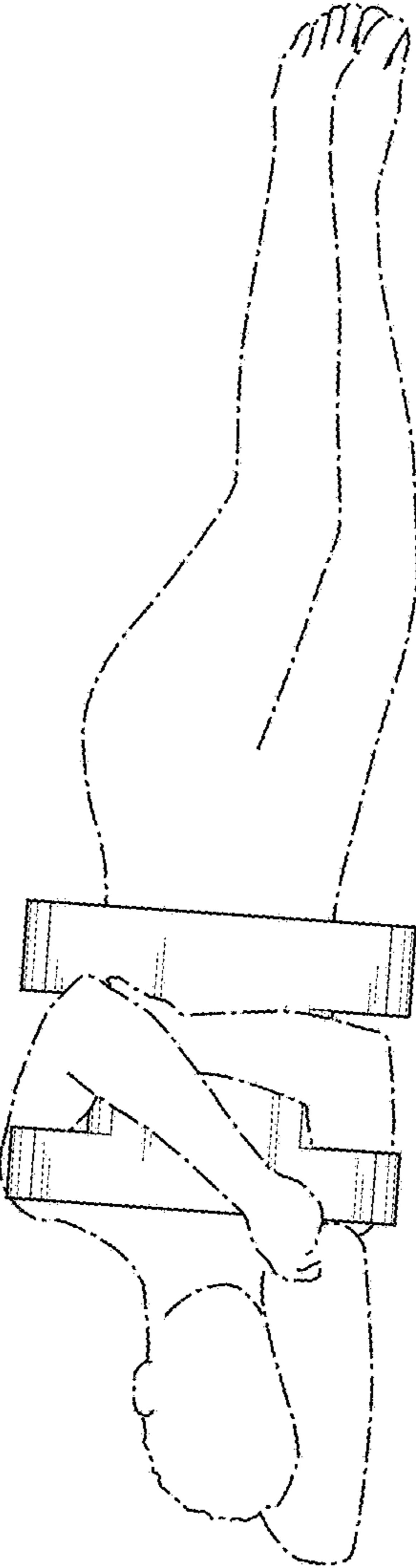


FIG. 10