



US00D859887S

(12) **United States Design Patent**
Bennett

(10) **Patent No.:** **US D859,887 S**

(45) **Date of Patent:** **** Sep. 17, 2019**

(54) **INFLATABLE CUSHION**

FOREIGN PATENT DOCUMENTS

(71) Applicant: **Bonza Wellbeing Pty Ltd**, Orange (AU)

CA 2672665 A1 * 7/2010 A47C 17/64

Primary Examiner — R. Johnson

(72) Inventor: **Alison Bennett**, Orange (AU)

(74) *Attorney, Agent, or Firm* — Edwin A. Sisson,

Attorney at Law, LLC; Jeffrey J. Banyas

(73) Assignee: **Bonza Wellbeing Pty Ltd.**, Orange, NSW (AU)

(**) Term: **15 Years**

(57) **CLAIM**

The ornamental design for an inflatable cushion, as shown and described.

(21) Appl. No.: **29/642,712**

(22) Filed: **Apr. 2, 2018**

DESCRIPTION

(30) **Foreign Application Priority Data**

Oct. 4, 2017 (AU) 201716076

(51) **LOC (12) Cl.** **06-09**

(52) **U.S. Cl.**
USPC **D6/601**

(58) **Field of Classification Search**

USPC D6/595-597, 582, 601, 603, 604, 606, D6/716.4

CPC . A47G 9/00; A47G 9/06; A47G 9/062; A47G 9/083; A47G 9/086; A47G 9/10; A47G 9/1027; A47G 9/1054; A47G 9/1063; A47G 9/1072; A47G 2009/1018; A47C 17/64; A47C 21/026

See application file for complete search history.

FIG. 1 is a perspective front view of an inflatable cushion in a deflated condition;

FIG. 2 is a front view illustrating the inflatable cushion in the deflated condition;

FIG. 3 is a rear view illustrating the inflatable cushion in the deflated condition;

FIG. 4 is a top view illustrating the inflatable cushion in the deflated condition;

FIG. 5 is a bottom view illustrating the inflatable cushion in the deflated condition;

FIG. 6 is a right side view illustrating the inflatable cushion in the deflated condition;

FIG. 7 is a left side view illustrating the inflatable cushion in the deflated condition;

FIG. 8 is a perspective front view of the inflatable cushion in an inflated condition;

FIG. 9 is a top view of the inflatable cushion in the inflated condition;

FIG. 10 is a left side view of the inflatable cushion in the inflated condition;

FIG. 11 is a first environmental view with the inflatable cushion fitted to a chair; and,

FIG. 12 is a second environmental view with the inflatable cushion fitted to the chair with a strap.

The broken lines form no part of the claimed design.

(56) **References Cited**

U.S. PATENT DOCUMENTS

3,842,454 A * 10/1974 Young A47G 9/086 119/28.5

D394,366 S * 5/1998 Graebe 5/653

D634,147 S * 3/2011 Joffe D6/601

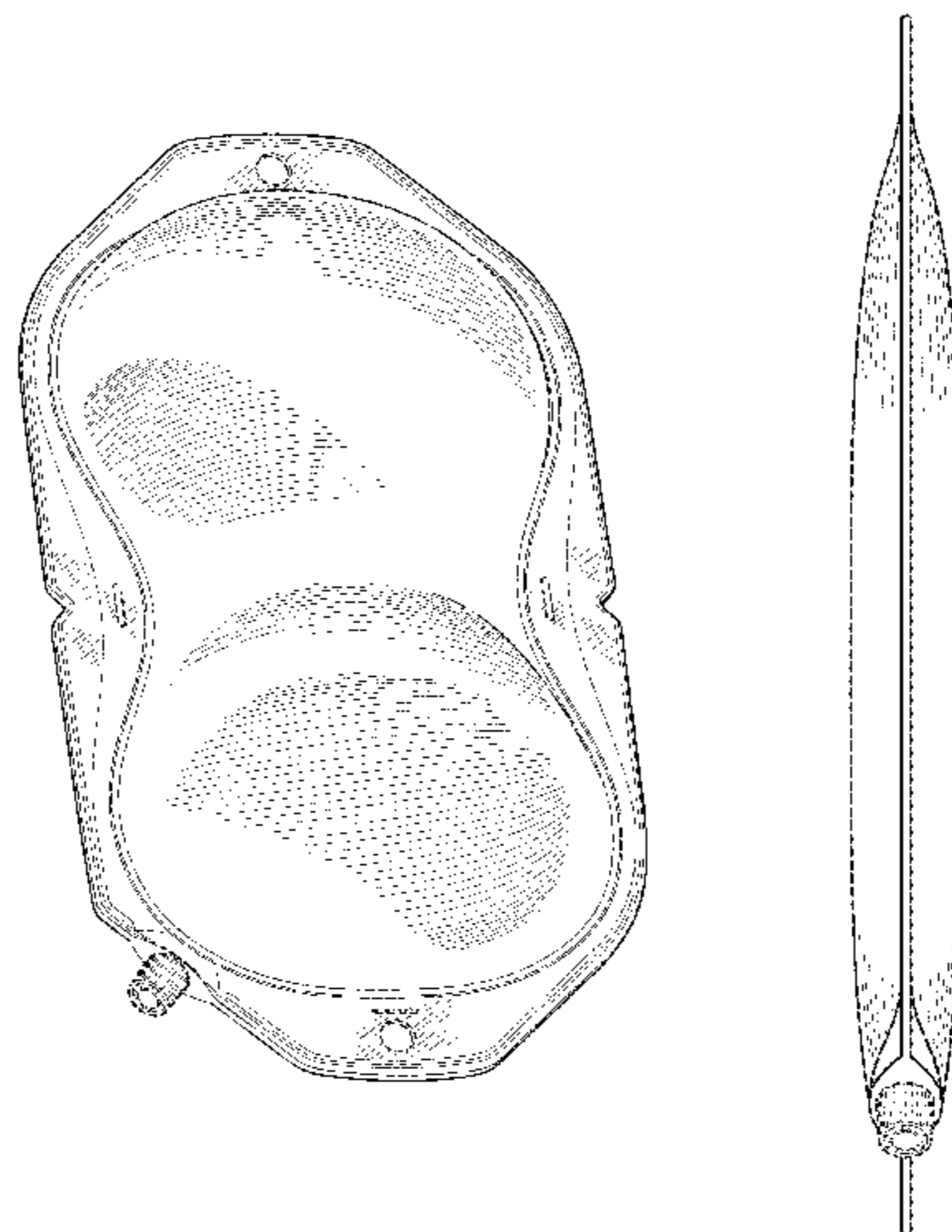
D639,530 S * 6/2011 Bagley D2/861

D816,179 S * 4/2018 de Grasse D21/803

2002/0157183 A1 * 10/2002 Zheng A47G 9/062 5/417

(Continued)

1 Claim, 8 Drawing Sheets



(56)

References Cited

U.S. PATENT DOCUMENTS

2003/0014816 A1* 1/2003 Le Gette A47G 9/062
5/419

* cited by examiner

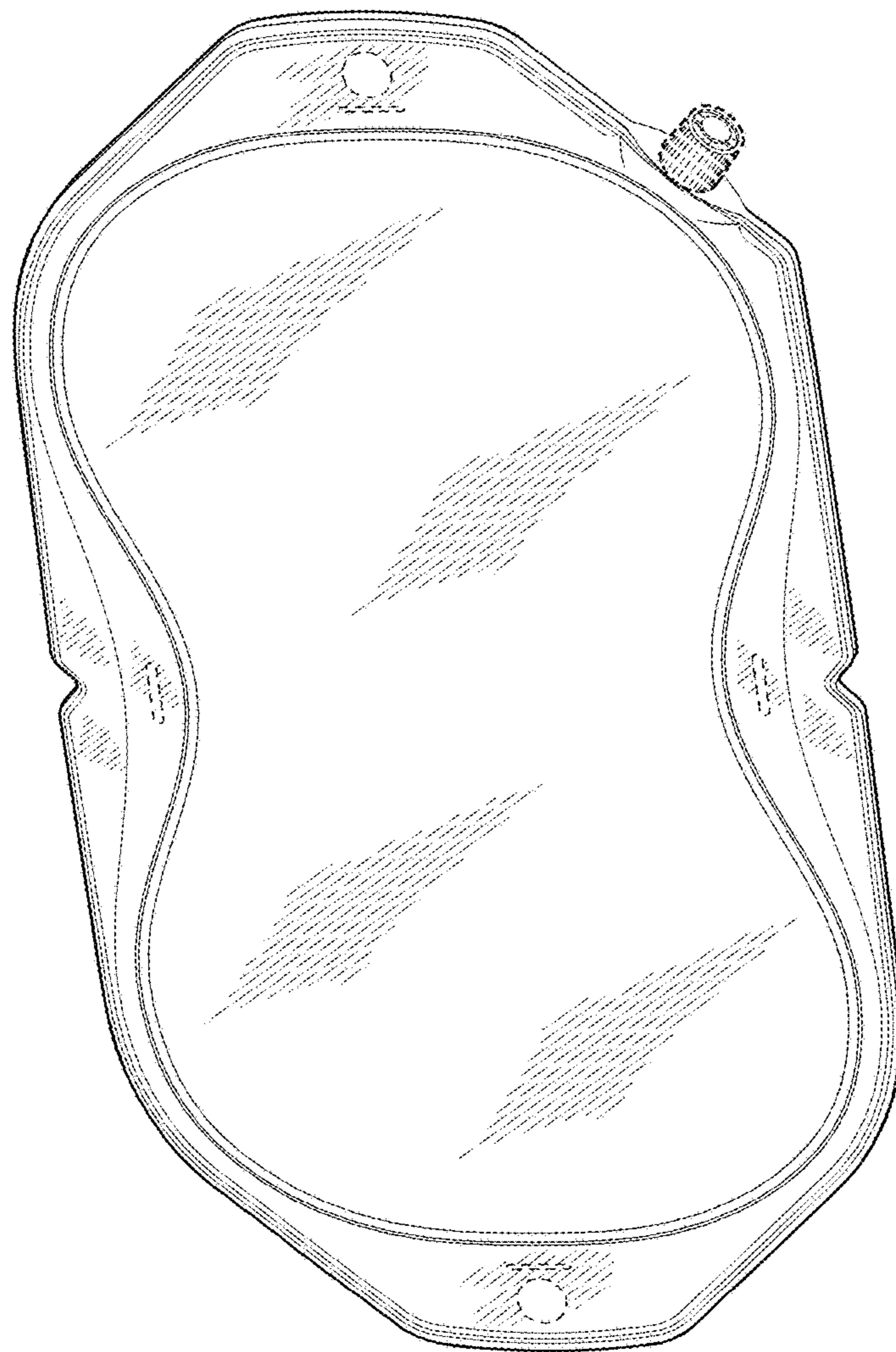


Fig. 1

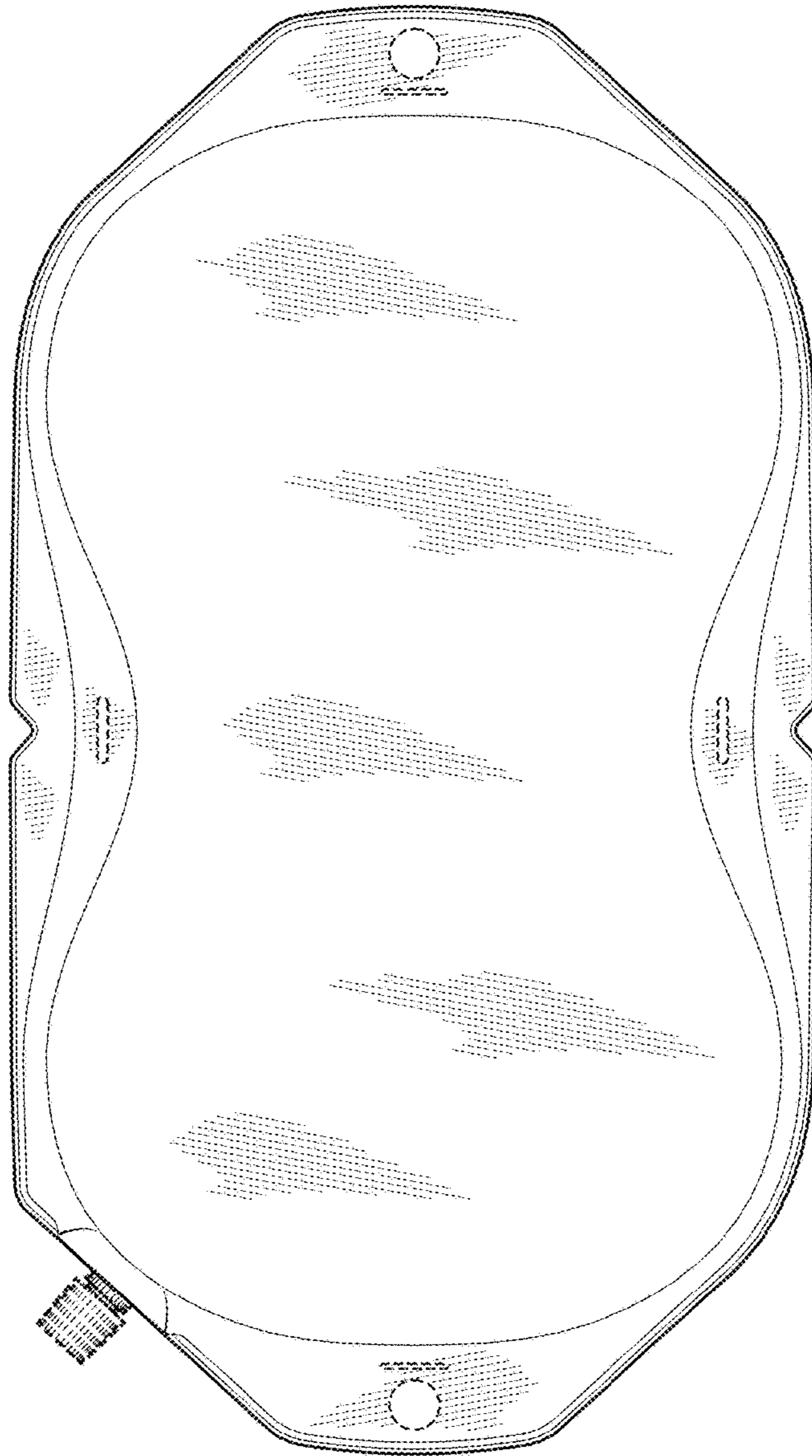


Fig. 2

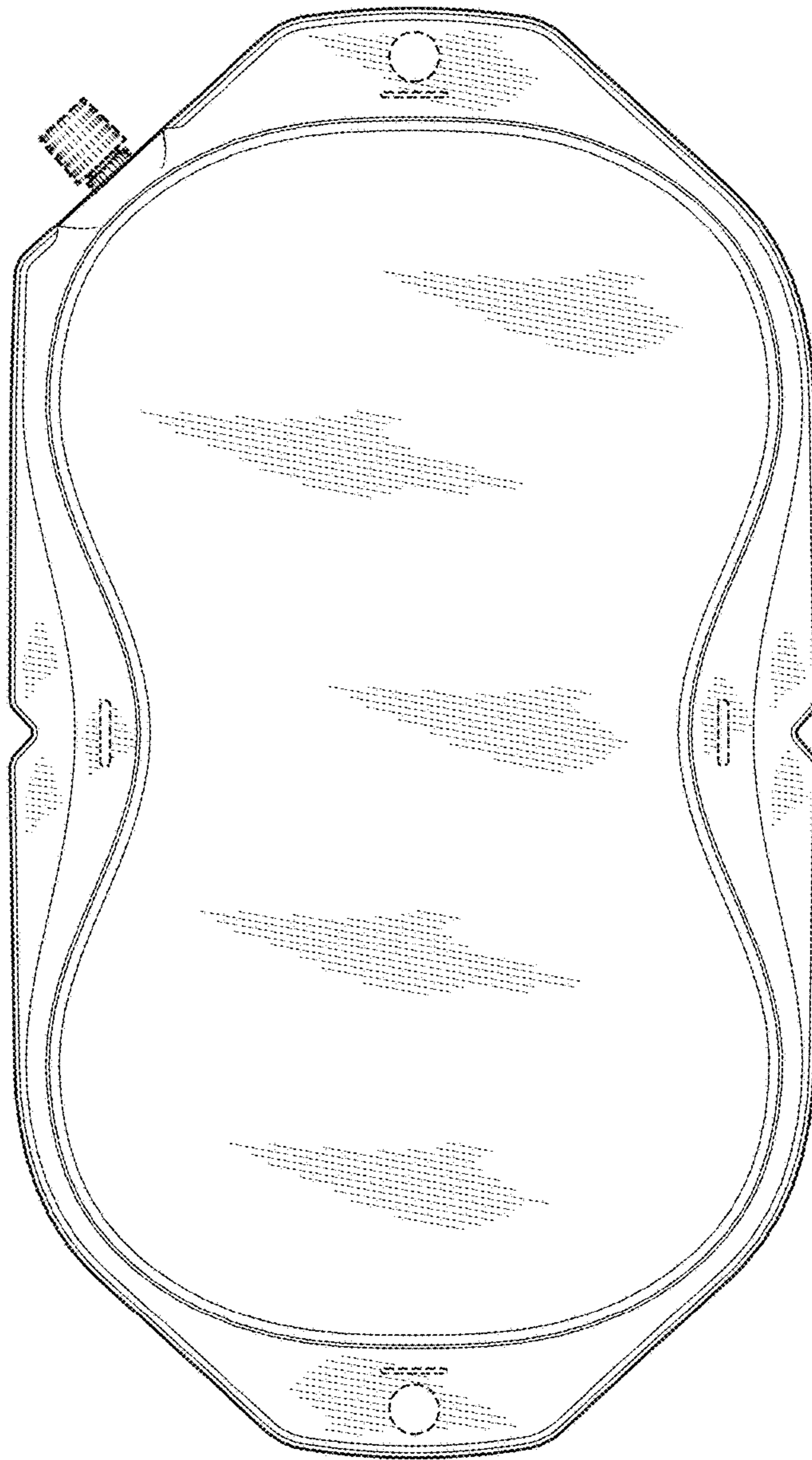


Fig.3

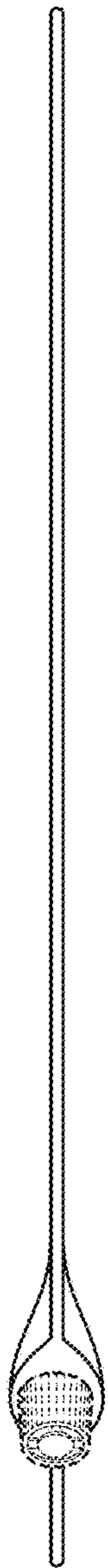


Fig. 4

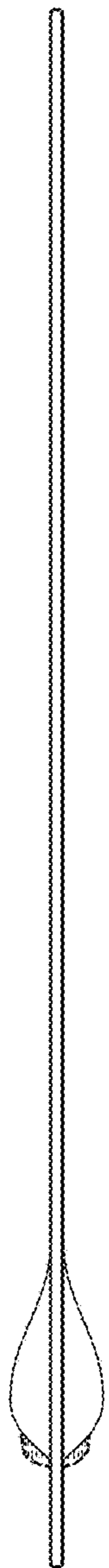


Fig. 5

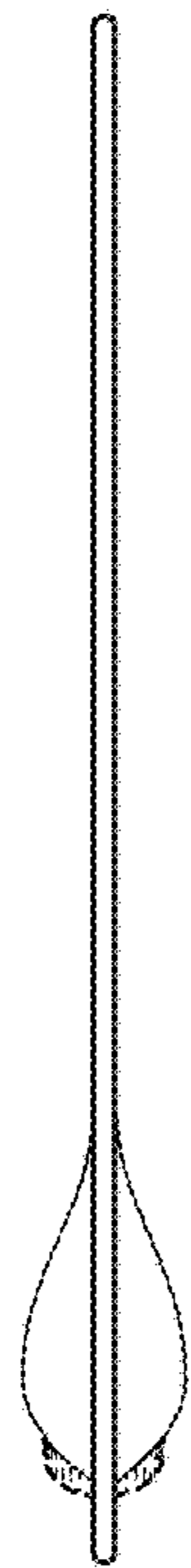


Fig. 6

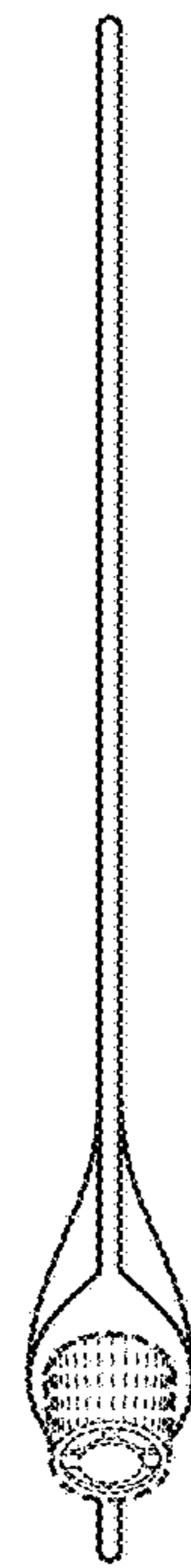


Fig. 7

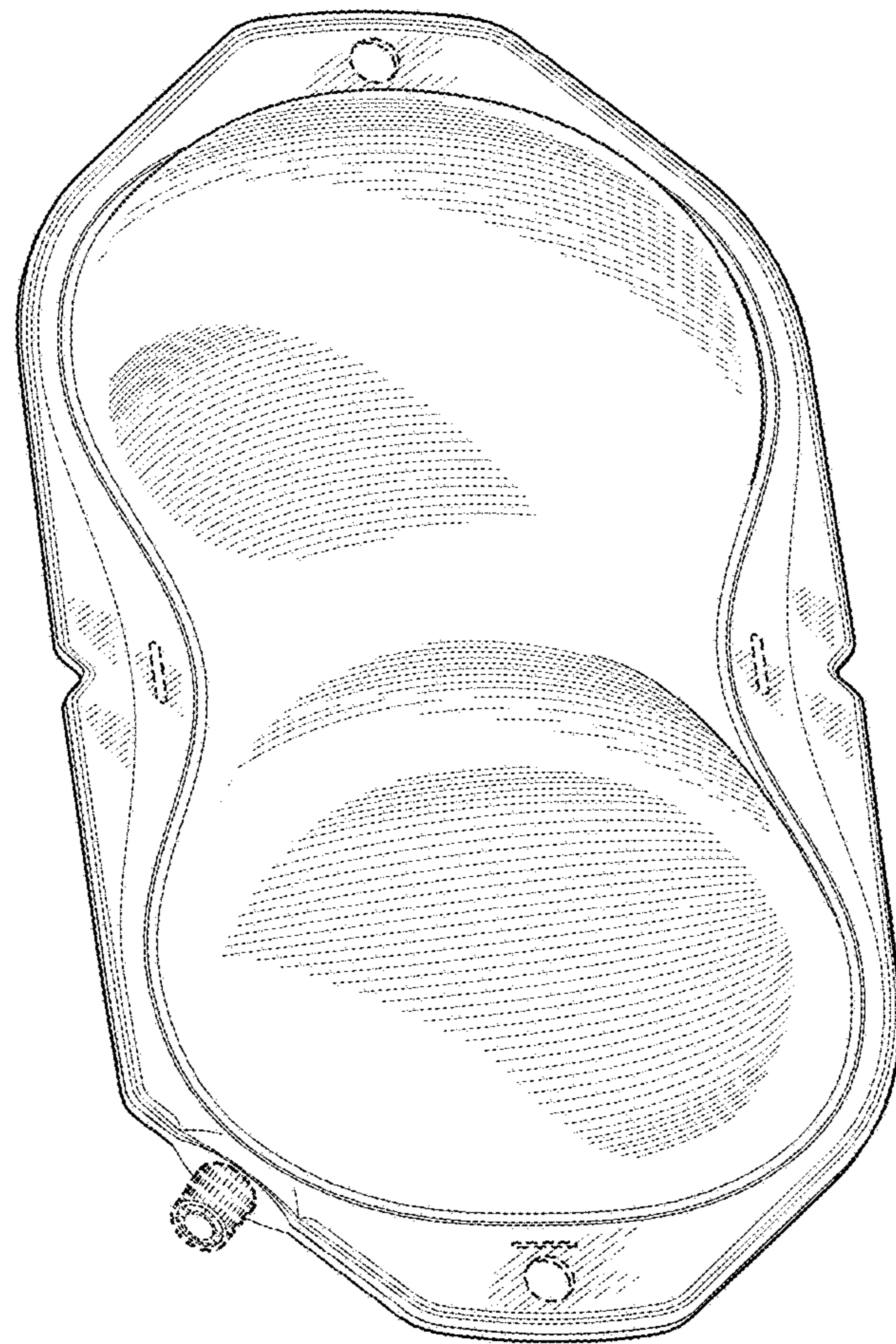


Fig. 8



Fig. 9

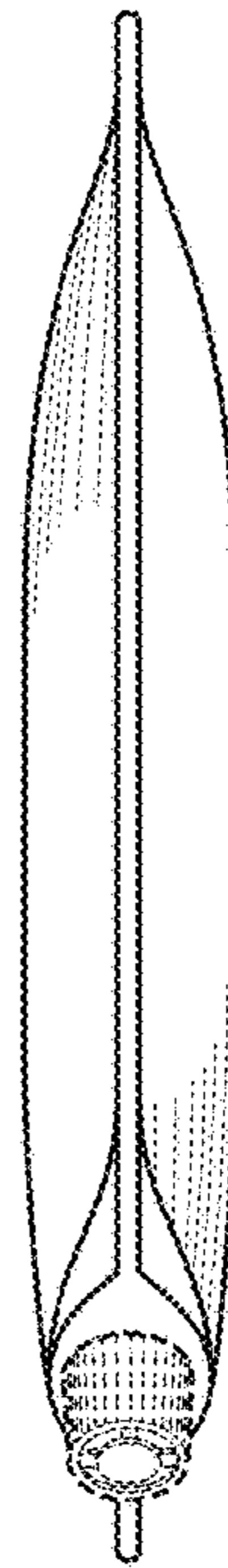


Fig. 10

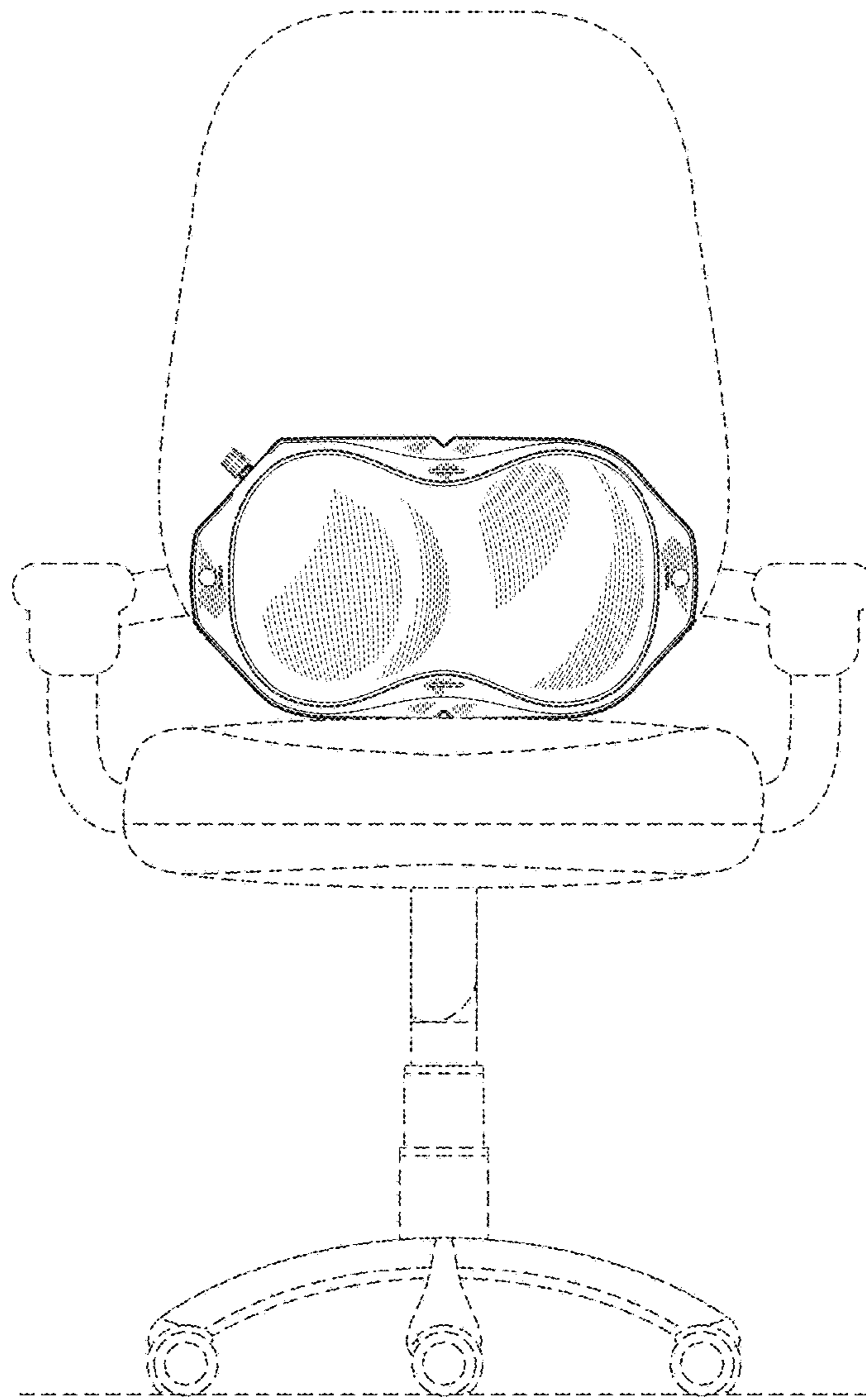


Fig. 11

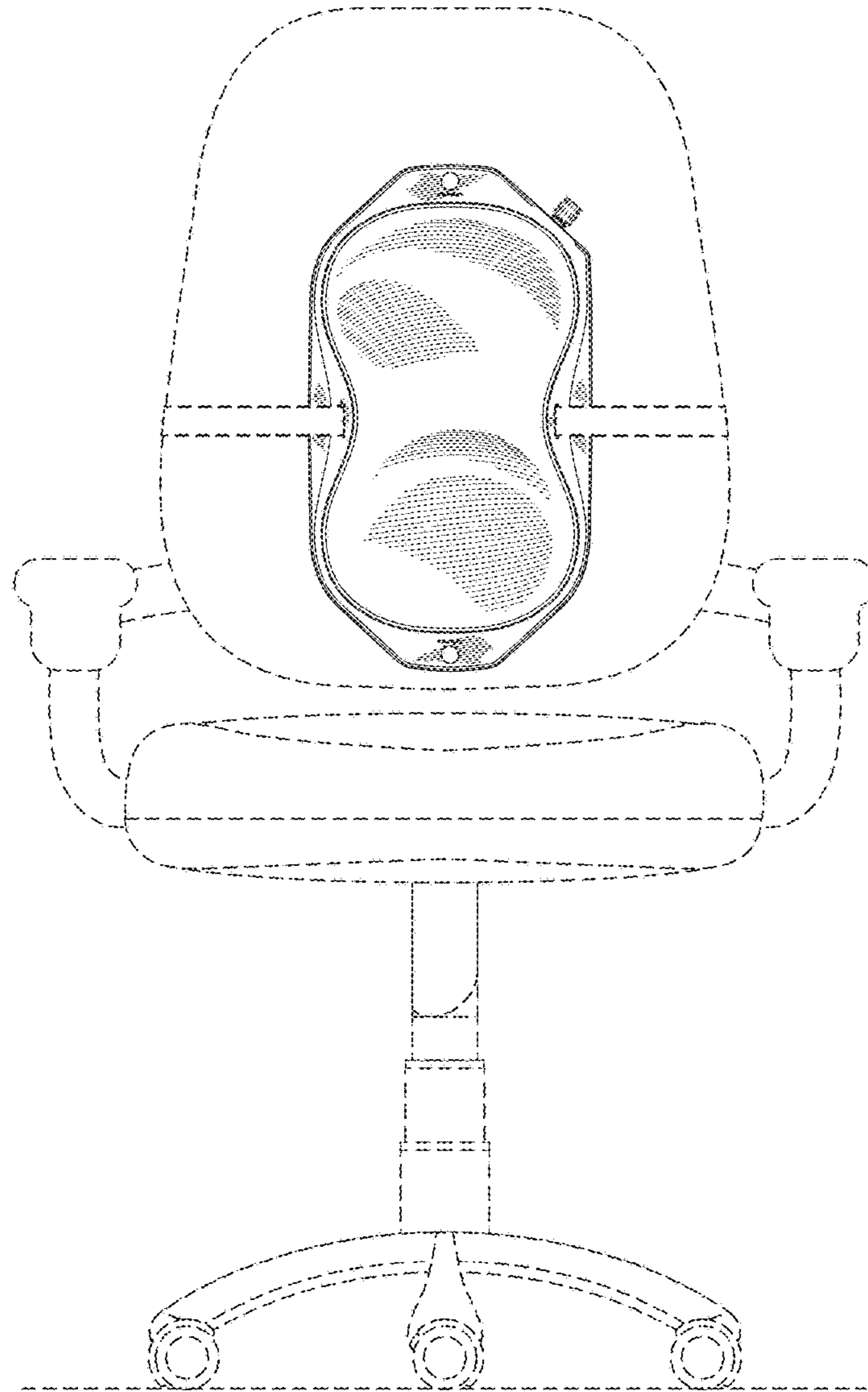


Fig.12