



US00D859883S

(12) **United States Design Patent** (10) **Patent No.:** **US D859,883 S**  
**Brenner et al.** (45) **Date of Patent:** **\*\* Sep. 17, 2019**

(54) **BEVERAGE RECEPTACLE RACK**

(71) Applicant: **iSee Store Innovations, L.L.C.**, St. Louis, MO (US)  
(72) Inventors: **Steven Allen Brenner**, Richmond Heights, MO (US); **Mani Gundala**, St. Louis, MO (US); **Sivateja Kasireddi**, Maryland Heights, MO (US)

(73) Assignee: **iSee Store Innovations, LLC**, St. Louis, MO (US)

(\*\*) Term: **15 Years**

(21) Appl. No.: **29/657,867**

(22) Filed: **Jul. 26, 2018**

(51) **LOC (12) Cl.** ..... **06-04**

(52) **U.S. Cl.**  
USPC ..... **D6/569**

(58) **Field of Classification Search**  
USPC ..... D6/569, 552, 553, 567, 572, 574, 683.1; D7/590; D8/349; 211/13.1, 71.01, 74, 211/75, 86.01, 87.01, 88.01, 90.01, 126.1, 211/134  
CPC ..... A47F 5/0043; A47F 11/06; A47F 1/12; A47F 3/001; A47F 5/0018; A47F 7/28; A47F 5/103; A47F 7/283; G09F 3/204  
See application file for complete search history.

(56) **References Cited**

U.S. PATENT DOCUMENTS

D547,992 S *	8/2007	Belokin	.....	D6/574
D591,088 S *	4/2009	Belokin	.....	D6/683.1
D845,029 S *	4/2019	Belokin	.....	D6/569
2006/0043036 A1 *	3/2006	Robertson	.....	A47B 73/008 211/75

\* cited by examiner

*Primary Examiner* — Wan Laymon  
*Assistant Examiner* — Mark Booker

(74) *Attorney, Agent, or Firm* — Joseph M. Butscher; The Small Patent Law Group, LLC

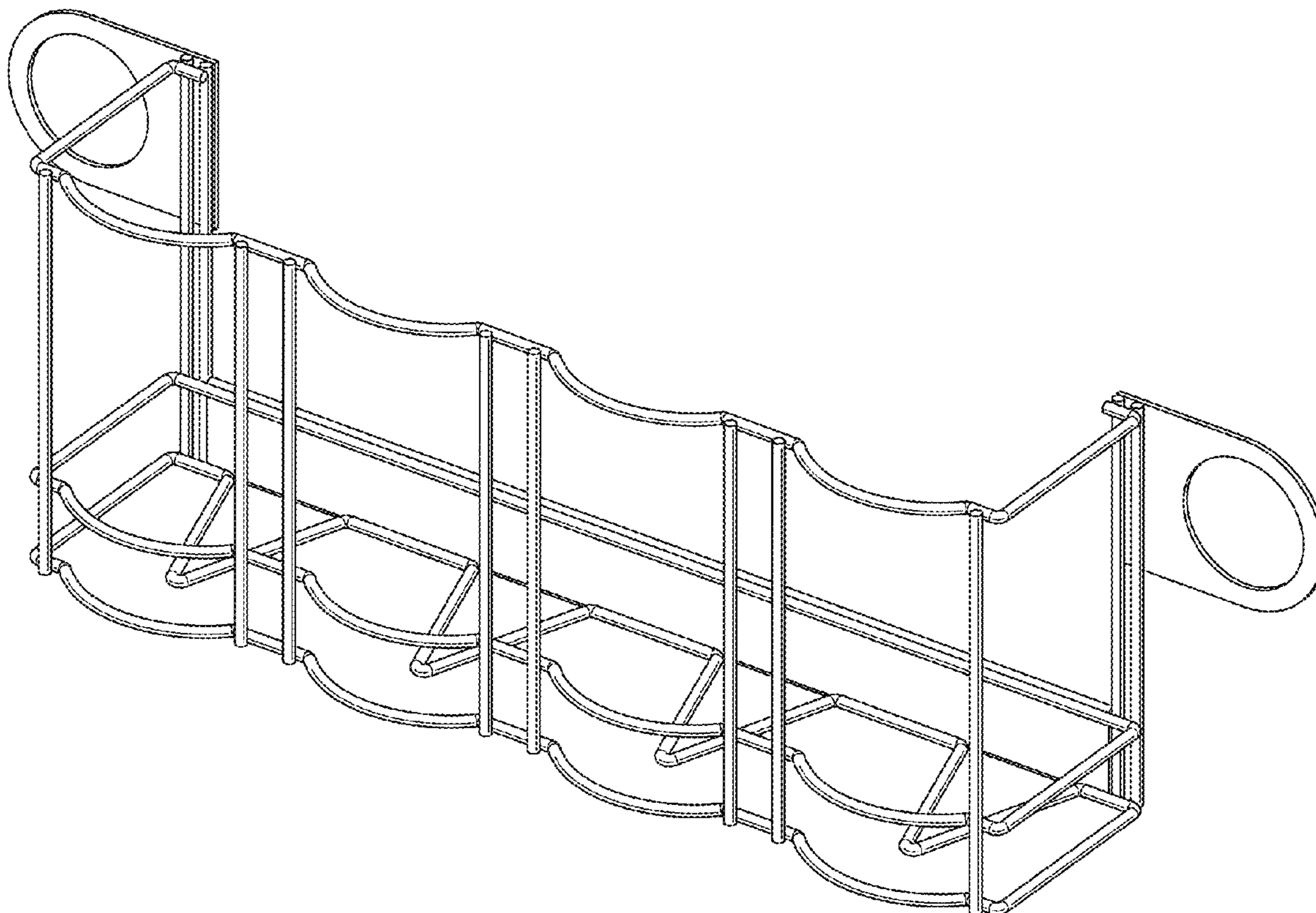
(57) **CLAIM**

The ornamental design for a beverage receptacle rack, as shown and described.

**DESCRIPTION**

FIG. 1 is a perspective front view of a beverage receptacle rack, according to an embodiment of the present disclosure. FIG. 2 is a front view of the beverage receptacle rack. FIG. 3 is a rear view of the beverage receptacle rack; and, FIG. 4 is a top view of the beverage receptacle rack.

**1 Claim, 4 Drawing Sheets**



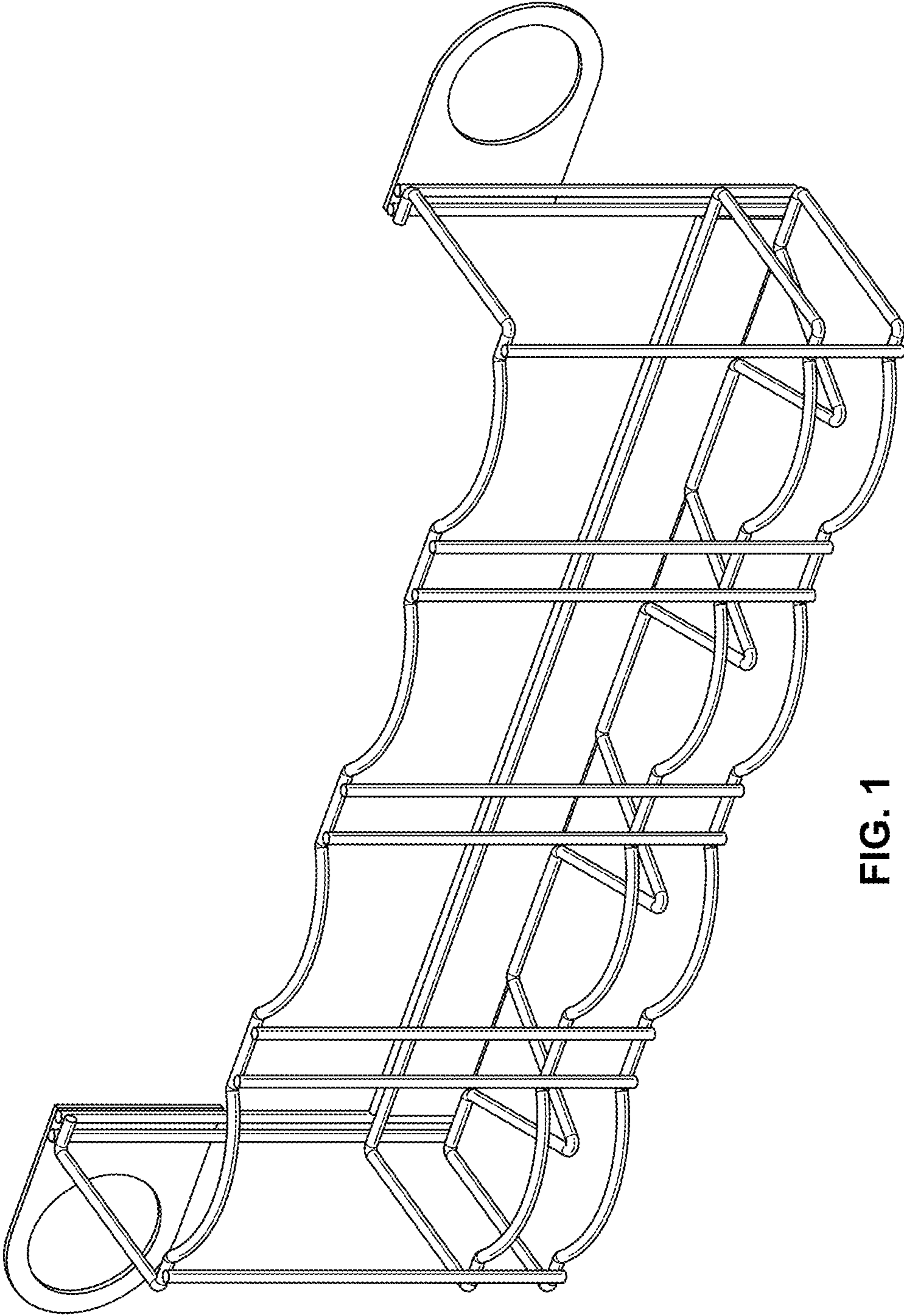


FIG. 1

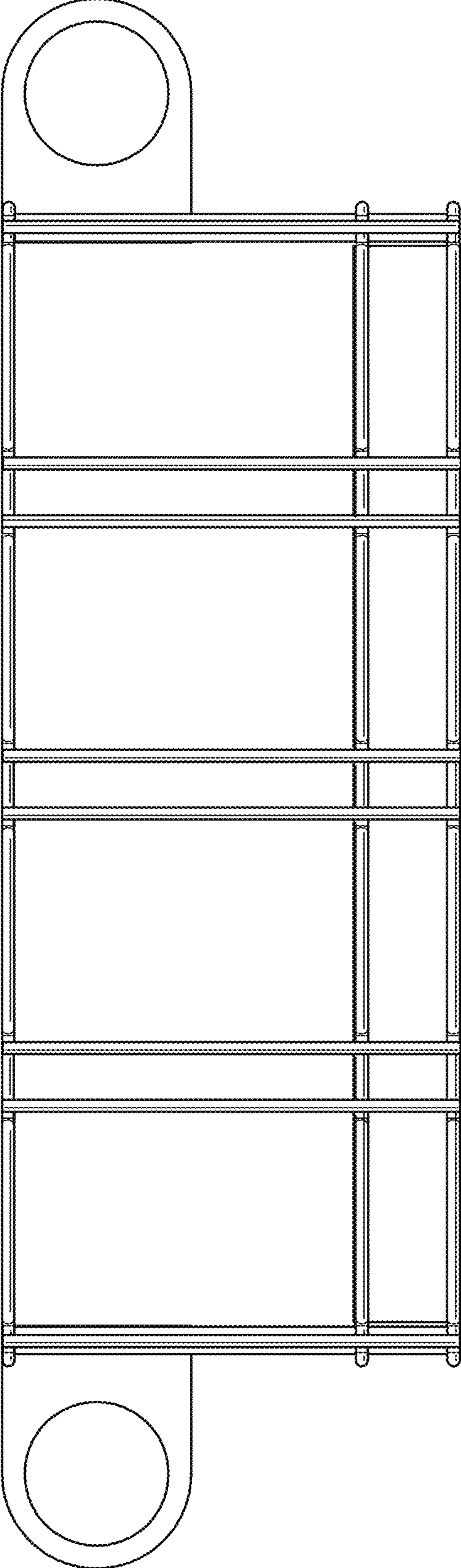


FIG. 2

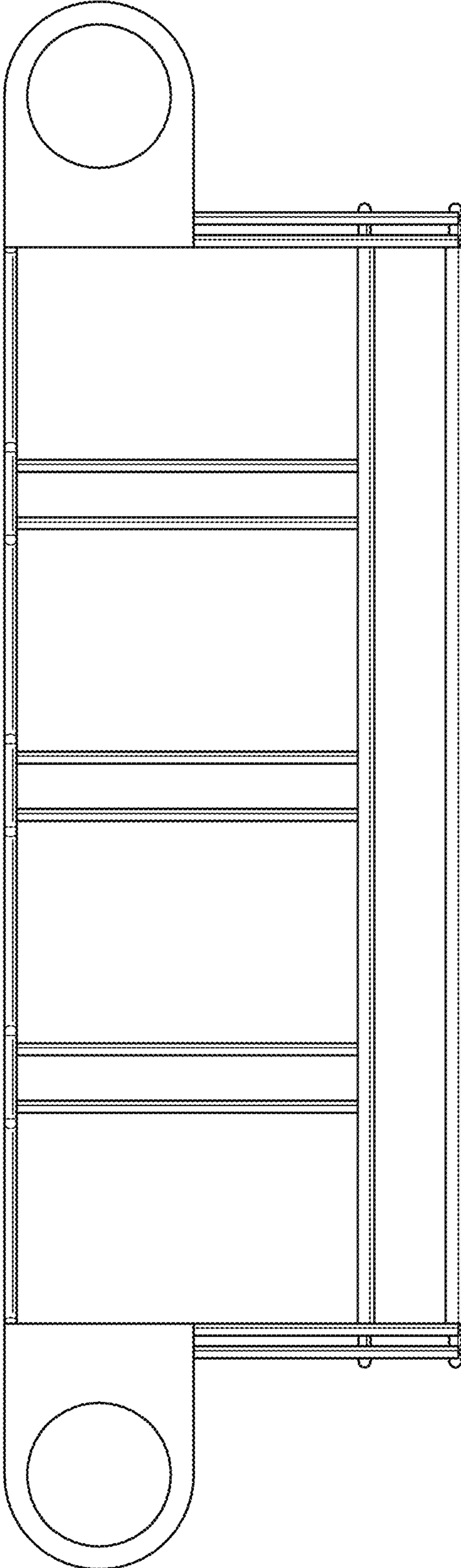


FIG. 3

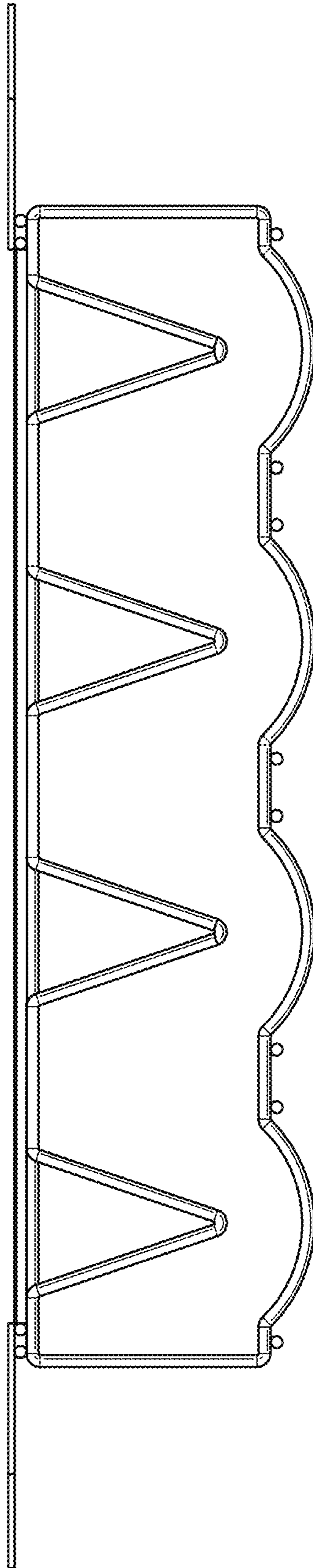


FIG. 4