



US00D859882S

(12) **United States Design Patent** (10) **Patent No.:** **US D859,882 S**
Brenner et al. (45) **Date of Patent:** **** Sep. 17, 2019**

(54) **BEVERAGE RECEPTACLE RACK**

(71) Applicant: **iSee Store Innovations, L.L.C.**, St. Louis, MO (US)

(72) Inventors: **Steven Allen Brenner**, Richmond Heights, MO (US); **Mani Gundala**, St. Louis, MO (US); **Sivateja Kasireddi**, Maryland Heights, MO (US)

(73) Assignee: **iSee Store Innovations, LLC**, St. Louis, MO (US)

(**) Term: **15 Years**

(21) Appl. No.: **29/657,866**

(22) Filed: **Jul. 26, 2018**

(51) **LOC (12) Cl.** **06-04**

(52) **U.S. Cl.**
USPC **D6/569**

(58) **Field of Classification Search**
 USPC D6/569, 552, 553, 567, 572, 574, 683.1;
 D7/590; D8/349; 211/13.1, 71.01, 74,
 211/75, 86.01, 87.01, 88.01, 90.01, 126.1,
 211/134
 CPC A47F 5/0043; A47F 11/06; A47F 1/12;
 A47F 3/001; A47F 5/0018; A47F 7/28;
 A47F 5/103; A47F 7/283; G09F 3/204

See application file for complete search history.

(56) **References Cited**

U.S. PATENT DOCUMENTS

D547,992 S *	8/2007	Belokin	D6/574
D591,088 S *	4/2009	Belokin	D6/683.1
D845,029 S *	4/2019	Belokin	D6/569
2006/0043036 A1 *	3/2006	Robertson	A47B 73/008 211/75

* cited by examiner

Primary Examiner — Wan Laymon
Assistant Examiner — Mark Booker

(74) *Attorney, Agent, or Firm* — Joseph M. Butscher; The Small Patent Law Group, LLC

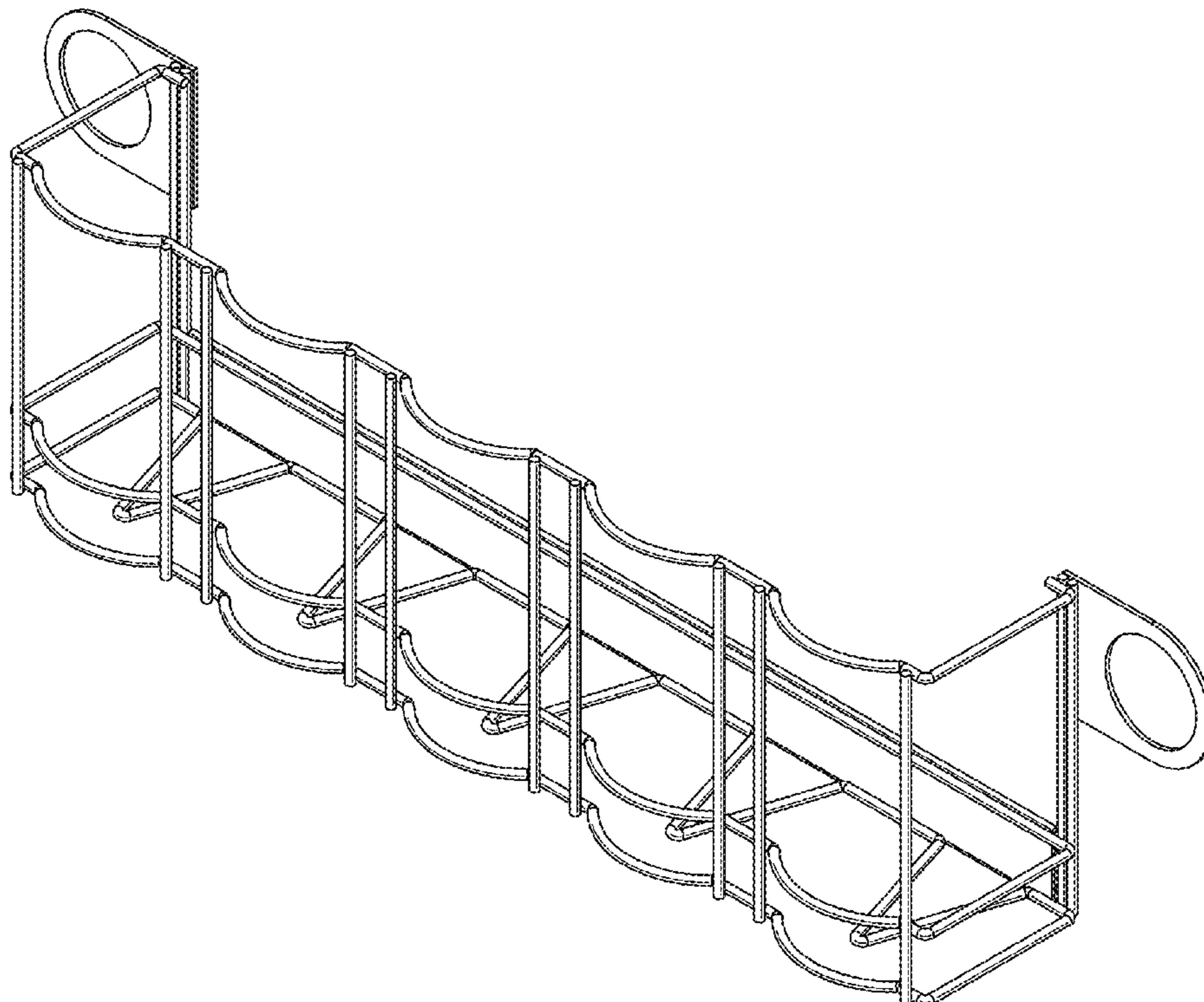
(57) **CLAIM**

The ornamental design for a beverage receptacle rack, as shown and described.

DESCRIPTION

FIG. 1 is a perspective front view of a beverage receptacle rack, according to an embodiment of the present disclosure. FIG. 2 is a front view of the beverage receptacle rack. FIG. 3 is a rear view of the beverage receptacle rack; and, FIG. 4 is a top view of the beverage receptacle rack. However, Applicant reserves the right to amend the present application to specifically claim such structure and/or to disclaim other structure of the design.

1 Claim, 4 Drawing Sheets



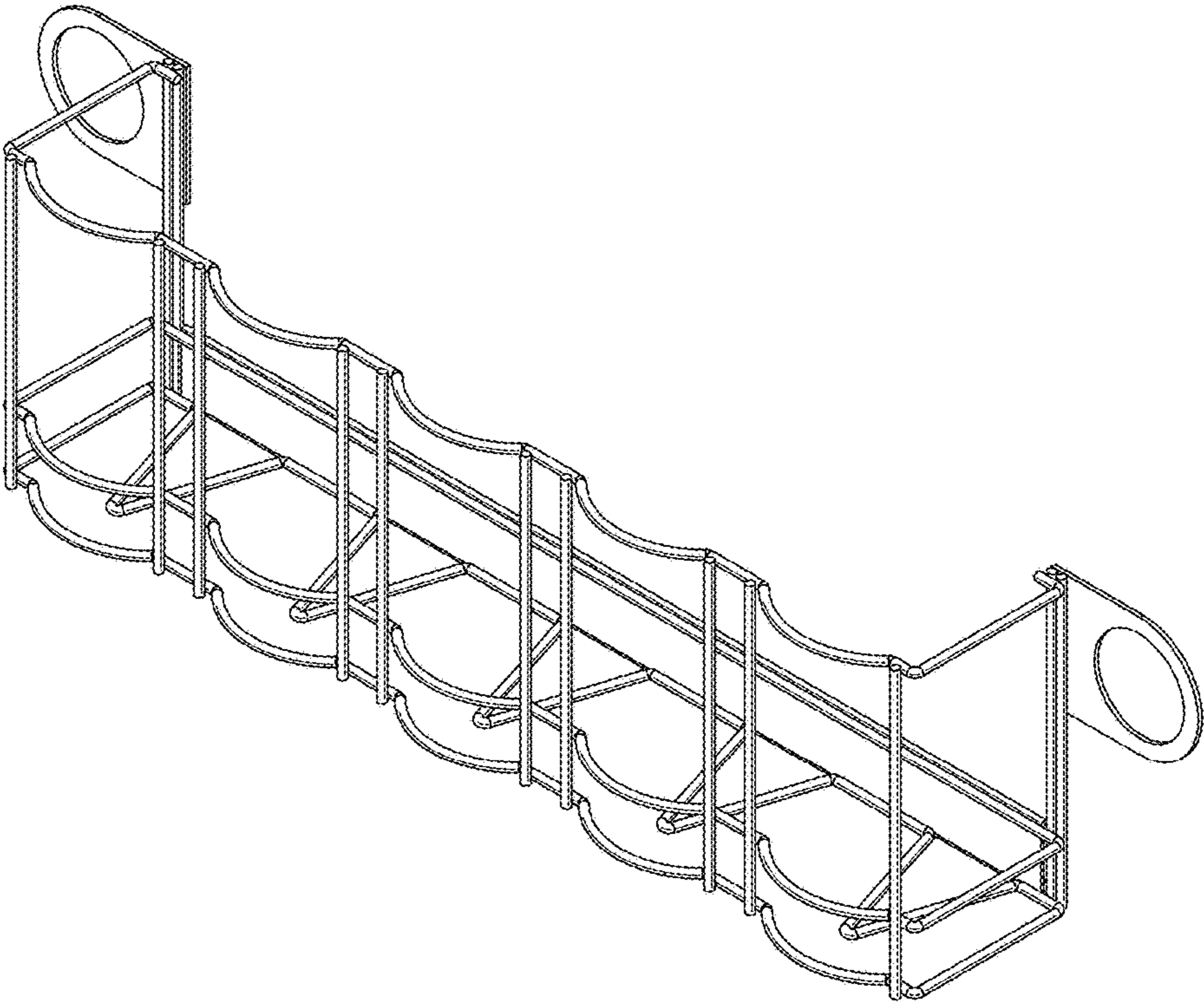


FIG. 1

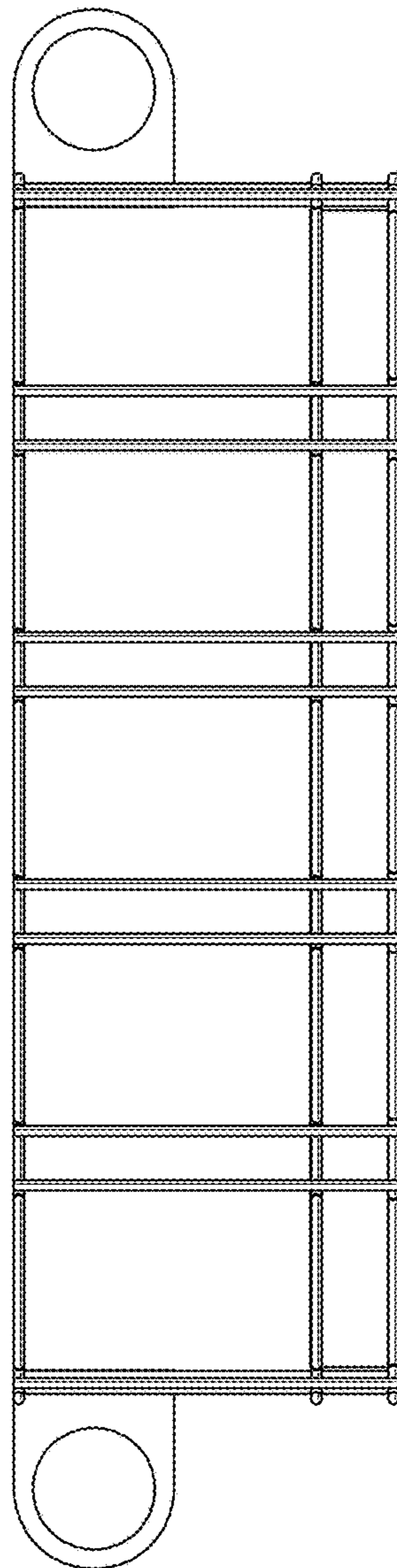


FIG. 2

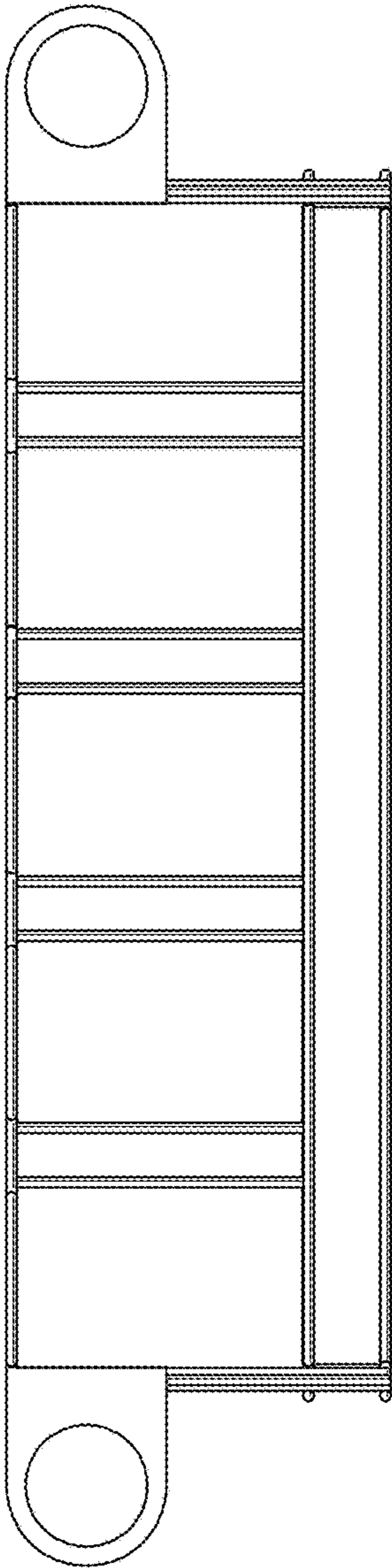


FIG. 3

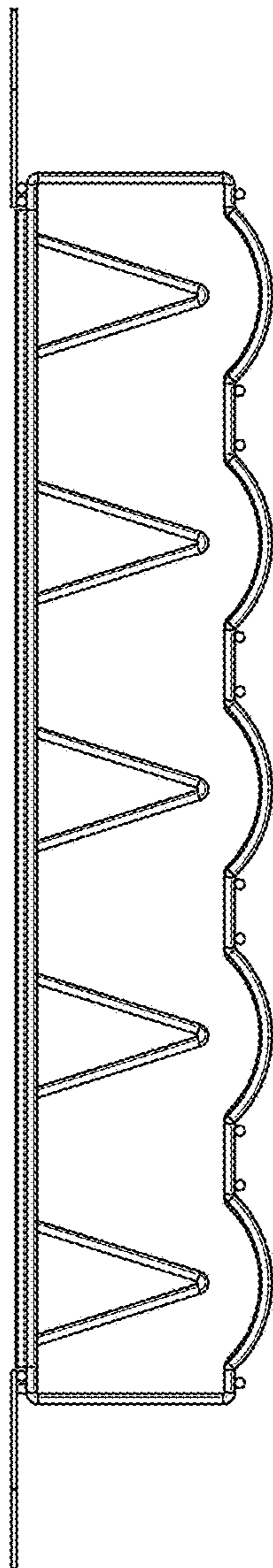


FIG. 4