



US00D859879S

(12) **United States Design Patent**
Karataş

(10) **Patent No.:** **US D859,879 S**

(45) **Date of Patent:** **** Sep. 17, 2019**

- (54) **TRAY FOR A SHOWER CADDY**
- (71) Applicant: **ANSAN Metal ve Plastik Sanayi ve Ticaret Limited Sirketi**, Kirac
Esenyurt-Istanbul (TR)
- (72) Inventor: **Hakan Karataş**, Kirac
Esenyurt-Istanbul (TR)
- (73) Assignee: **ANSAN METAL VE PLASTIK SANAYI VE TICARET LIMITED SIRKETI**, Istanbul (TR)
- (**) Term: **15 Years**
- (21) Appl. No.: **29/615,247**
- (22) Filed: **Aug. 28, 2017**
- (51) **LOC (12) Cl.** **23-02**
- (52) **U.S. Cl.**
USPC **D6/525**
- (58) **Field of Classification Search**
USPC D6/525, 320, 524, 533, 536, 537, 540,
D6/566, 567; D7/637; 211/13.1, 71.01,
211/74, 75, 86.01, 87.01, 88.01, 90.01,
211/90.03, 106, 119, 126.1, 133.5, 134,
211/181.1
CPC A47K 17/00; A47K 3/281; A47K 3/001;
A47K 1/09; A47K 1/08; A47K 3/004;
A47K 5/03; A47K 7/024; A47K 2201/02;
A47B 57/265; A47B 57/565; A47B
57/26; A47B 96/002; A47B 95/008; A47B
96/024; F16B 47/00; F16B 11/006; A46B
2200/1006
See application file for complete search history.

- D367,576 S * 3/1996 Hickey-Niezgoda D6/536
- 5,647,072 A * 7/1997 Shaffer A47K 3/281
4/574.1
- D382,751 S * 8/1997 Andrus D6/525
- D388,642 S * 1/1998 Winter D6/525
- D389,351 S * 1/1998 Winter D6/525
- D395,135 S * 6/1998 Joss D23/304
- D395,488 S * 6/1998 Joss D23/304
- D407,934 S * 4/1999 Wojtowicz D6/525
- D408,185 S * 4/1999 Hofman D6/525
- D417,107 S * 11/1999 Patel D6/562

(Continued)

Primary Examiner — Wan Laymon

Assistant Examiner — Mark Booker

(74) *Attorney, Agent, or Firm* — Ladas & Parry LLP

(57) **CLAIM**

The ornamental design for a tray for a shower caddy, as shown and described.

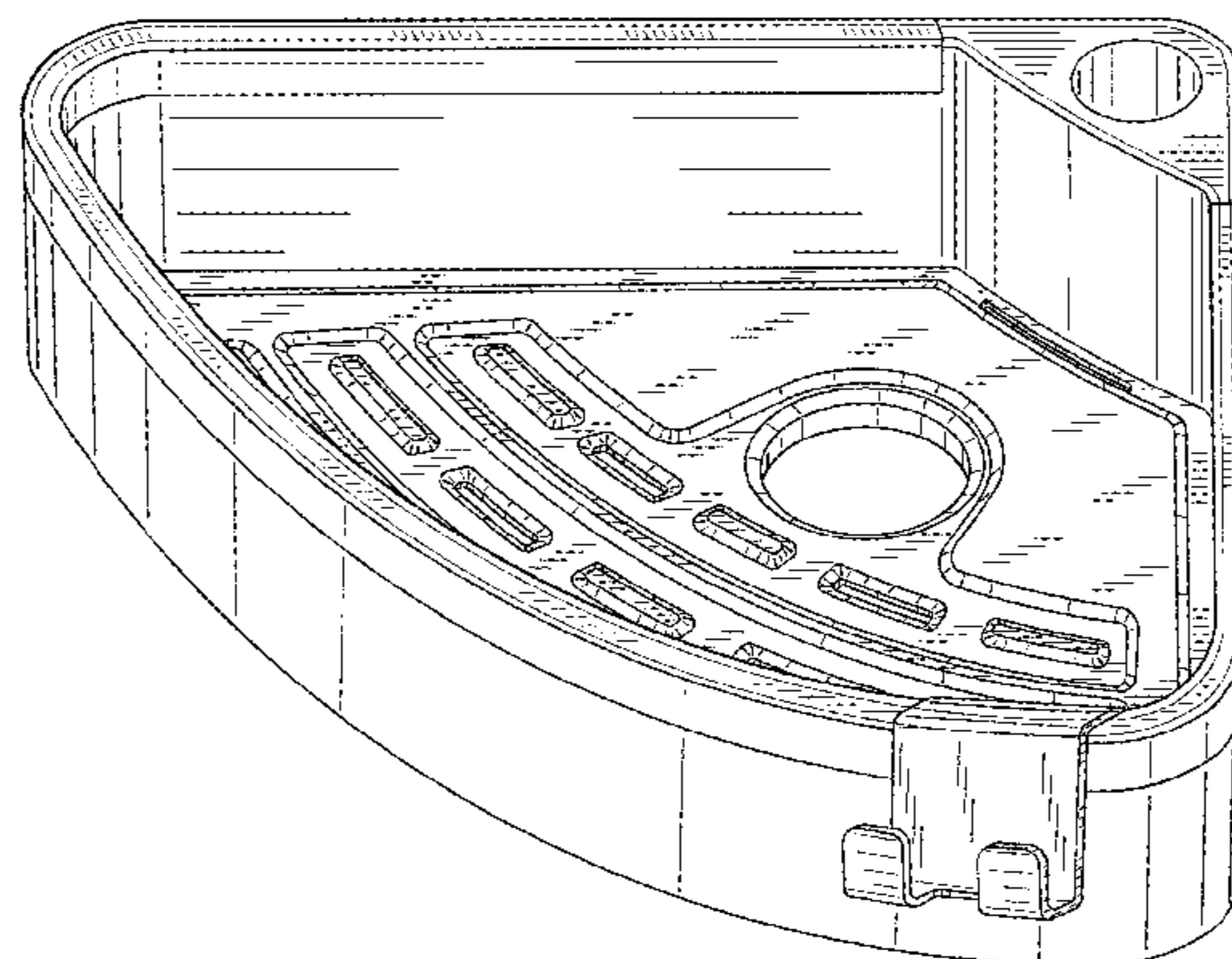
DESCRIPTION

FIG. 1 is a front-left perspective view of a tray for a shower caddy of the claimed design;
 FIG. 2 is a bottom-right perspective view of the tray for a shower caddy of FIG. 1;
 FIG. 3 is a front view of the tray for a shower caddy of FIG. 1;
 FIG. 4 is a top view of the tray for a shower caddy of FIG. 1;
 FIG. 5 is a rear view of the tray for a shower caddy of FIG. 1;
 FIG. 6 is a right side view of the tray for a shower caddy of FIG. 1;
 FIG. 7 is a left side view of the tray for a shower caddy of FIG. 1; and,
 FIG. 8 is a perspective view of an embodiment showing the tray for a shower caddy.
 The broken lines shown in the figures represent portions of the tray for a shower caddy that form no part of the claimed design.

1 Claim, 5 Drawing Sheets

(56) **References Cited**
U.S. PATENT DOCUMENTS

- D206,257 S * 11/1966 Maurus D32/55
- D351,751 S * 10/1994 Brightbill D6/525
- D364,767 S * 12/1995 McLinden D6/525



(56)

References Cited

U.S. PATENT DOCUMENTS

D417,991 S *	12/1999	Hofman	D6/525	D599,148 S *	9/2009	Murphy	D6/562
D419,020 S *	1/2000	Emery	D6/525	D622,990 S *	9/2010	Yang	D6/525
D421,692 S *	3/2000	Wojtowicz	D6/525	D635,807 S *	4/2011	Lindo	D6/525
D421,867 S *	3/2000	Carville	D6/525	D641,193 S *	7/2011	Vaccaro	D6/525
D429,934 S *	8/2000	Hofman	D6/525	D641,194 S *	7/2011	Vaccaro	D6/525
D443,162 S *	6/2001	Winter	D6/525	D651,837 S *	1/2012	Yang	D6/525
D462,552 S *	9/2002	Emery	D6/525	D651,838 S *	1/2012	Yang	D6/525
D472,747 S *	4/2003	Walker	D6/525	D652,237 S *	1/2012	Cittadino	D6/562
D475,561 S *	6/2003	Suero, Jr.	D6/525	D653,067 S *	1/2012	Cittadino	D6/562
D475,562 S *	6/2003	Suero, Jr.	D6/525	D653,068 S *	1/2012	Klein	D6/562
D479,421 S *	9/2003	Snell	D6/525	D654,745 S *	2/2012	Chuang	D6/562
D483,586 S *	12/2003	Snell	D6/525	D662,739 S *	7/2012	Gilbert	D6/525
D485,104 S *	1/2004	Suero, Jr.	A47K 3/281	D670,520 S *	11/2012	Gilbert	D6/525
6,688,238 B1 *	2/2004	Alexiou	A47K 3/281	D683,165 S *	5/2013	Yang	D6/525
			108/42	D699,974 S *	2/2014	Snider	D6/525
D509,361 S *	9/2005	Suero, Jr.	D3/306	D699,975 S *	2/2014	Snider	D6/525
D513,142 S *	12/2005	Suero, Jr.	D6/525	D701,714 S *	4/2014	Gelman	D6/562
D534,752 S *	1/2007	Rizvi	D6/525	D723,834 S *	3/2015	Tawil	D6/525
D536,873 S *	2/2007	Thorsteinsson	D3/306	D726,441 S *	4/2015	Yang	D6/525
D543,747 S *	6/2007	Harwanko	D6/525	D727,060 S *	4/2015	Yang	D6/525
D543,748 S *	6/2007	Harwanko	D6/525	D728,260 S *	5/2015	Snider	D6/525
D566,991 S *	4/2008	Harwanko	D6/525	D769,017 S *	10/2016	Tsai	D6/525
D569,148 S *	5/2008	Yang	D6/525	D769,641 S *	10/2016	Yang	D6/525
D569,668 S *	5/2008	Kramer	A47K 3/281	D770,197 S *	11/2016	Yang	D6/525
			D6/525	D770,198 S *	11/2016	Yang	D6/525
D572,060 S *	7/2008	Snider	D6/525	9,480,368 B2 *	11/2016	Knoll, Jr.	A47B 96/022
D572,502 S *	7/2008	Yang	D6/525	D773,854 S *	12/2016	Preston	D6/562
D572,516 S *	7/2008	Snider	D6/566	D787,227 S *	5/2017	Ghiorghie	D6/525
D573,387 S *	7/2008	Walker	D6/525	D805,318 S *	12/2017	Umholtz	D6/525
D574,649 S *	8/2008	Snider	D6/525	D805,319 S *	12/2017	Kwiatkowski	D6/525
D574,650 S *	8/2008	Snider	D6/525	D806,434 S *	1/2018	Yang	D6/525
				D811,119 S *	2/2018	Greenspon	D6/525
				D824,189 S *	7/2018	Yang	D6/525
				2015/0060430 A1 *	3/2015	Tsuge	H05B 1/0272
							219/211

* cited by examiner

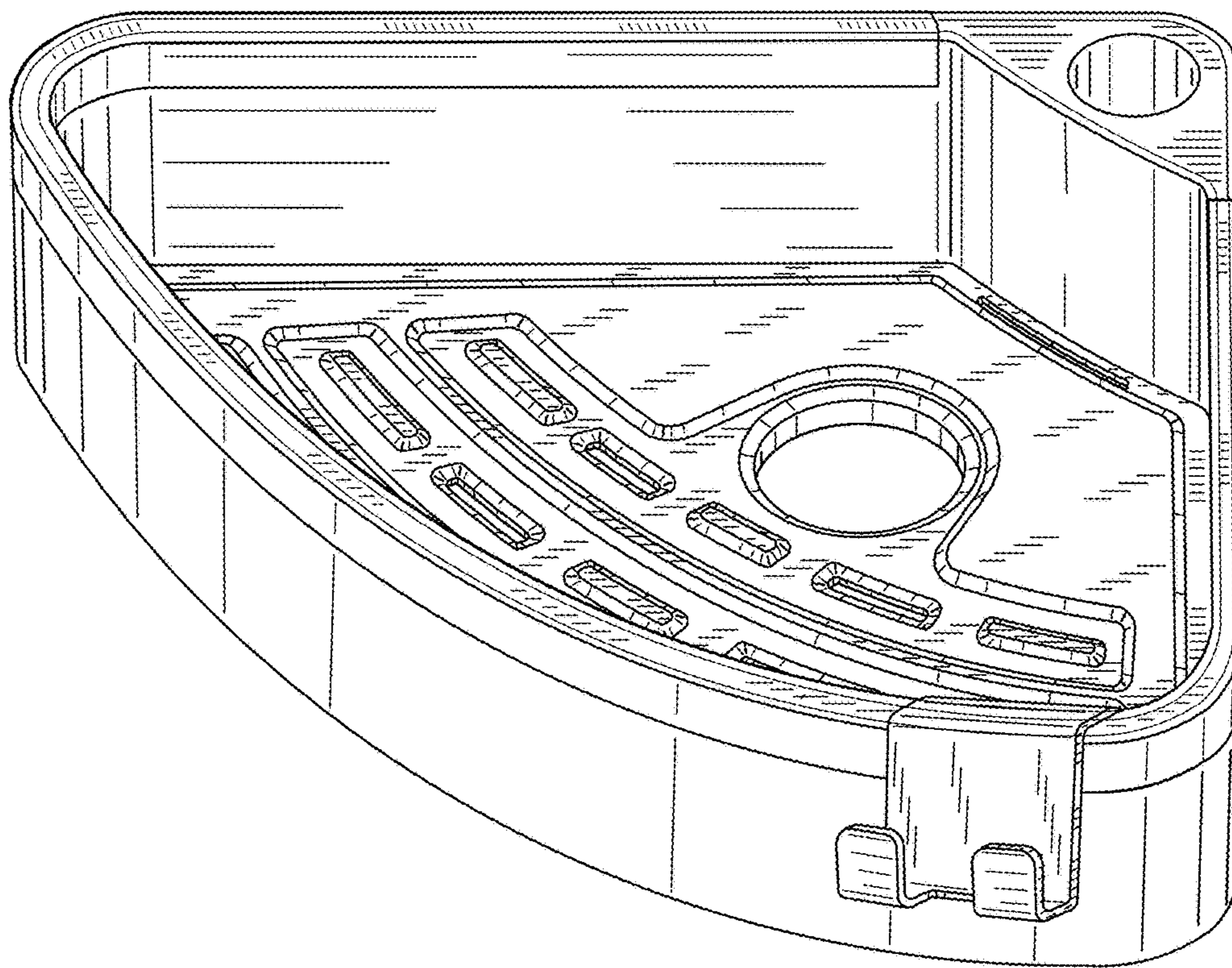


FIG. 1

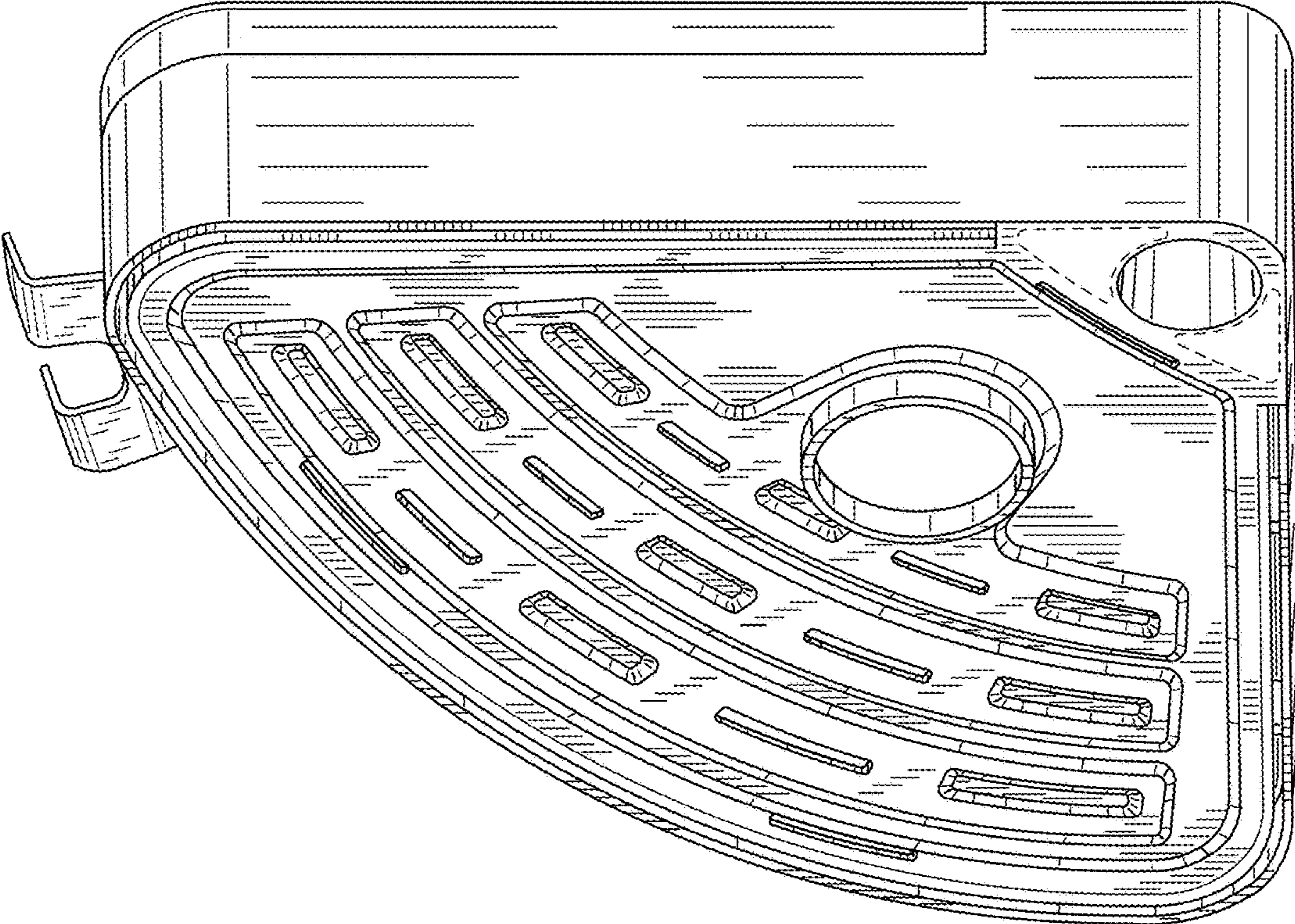


FIG. 2

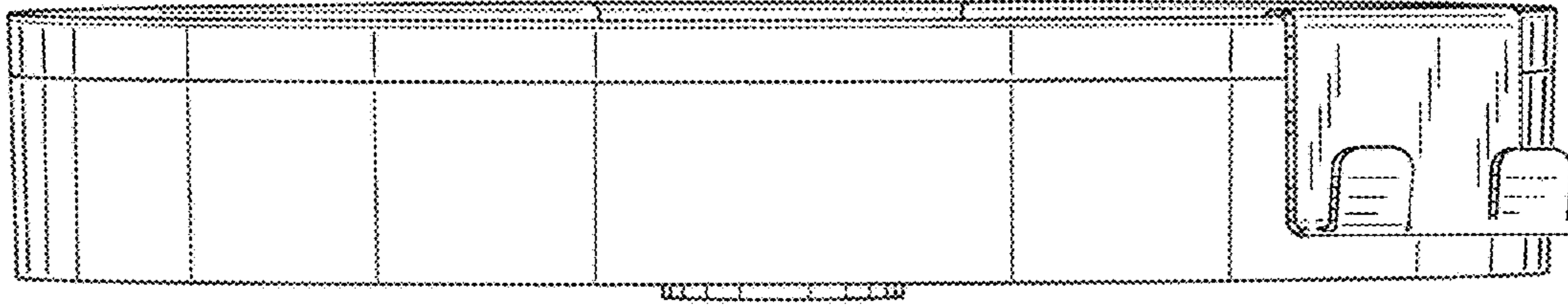


FIG. 3

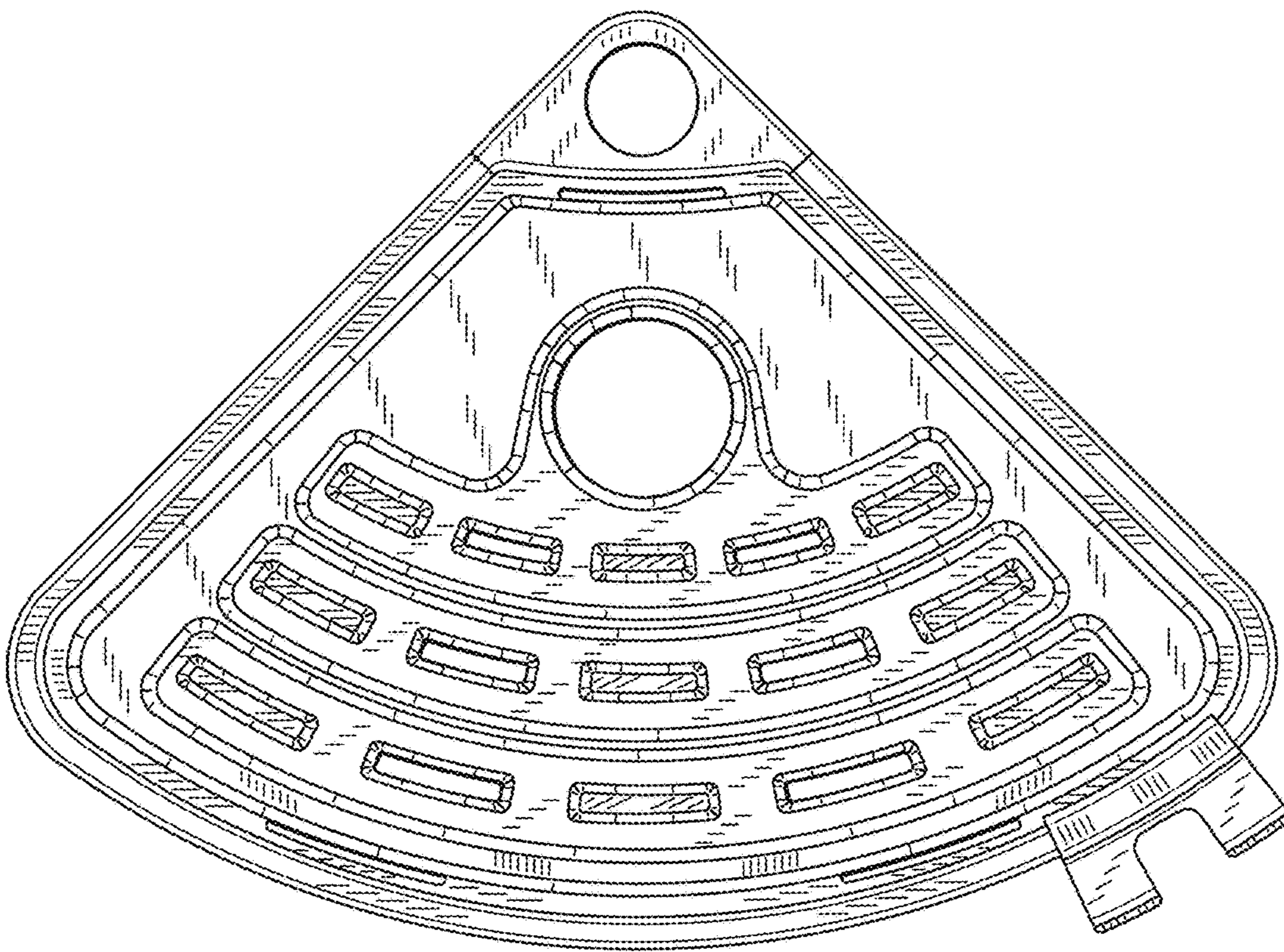


FIG. 4

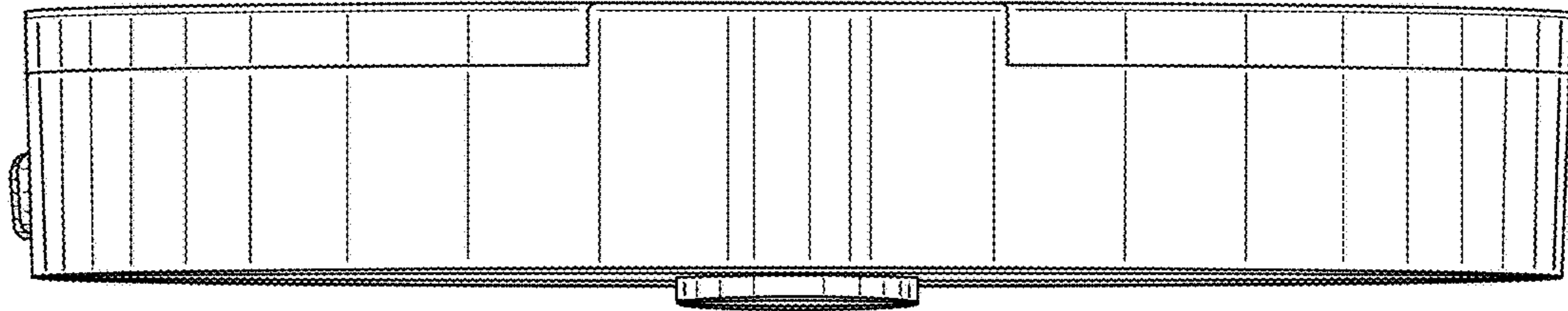


FIG. 5

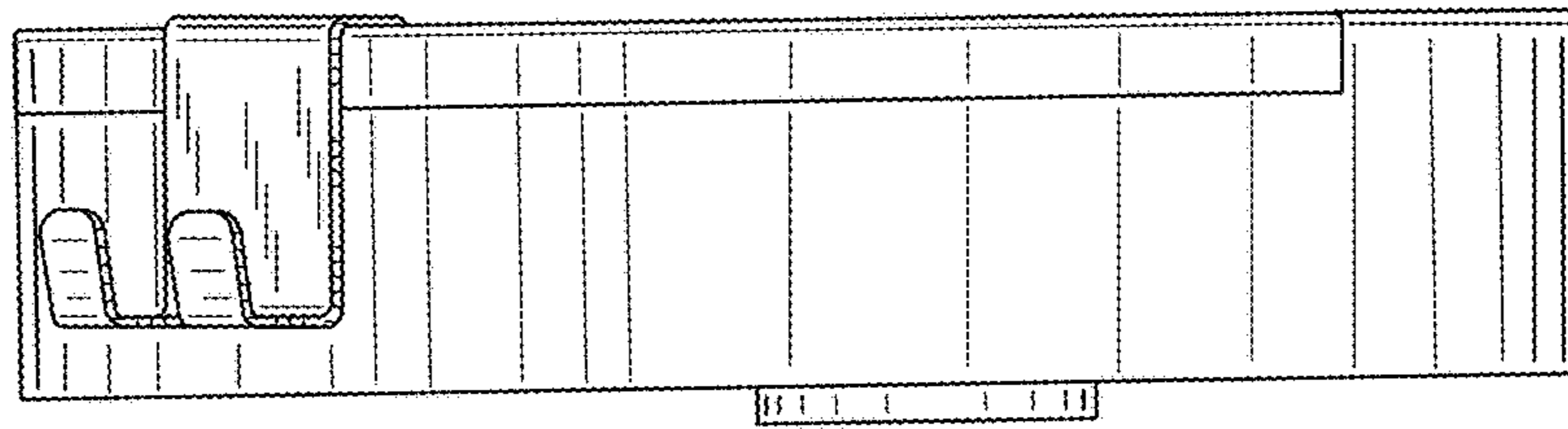


FIG. 6

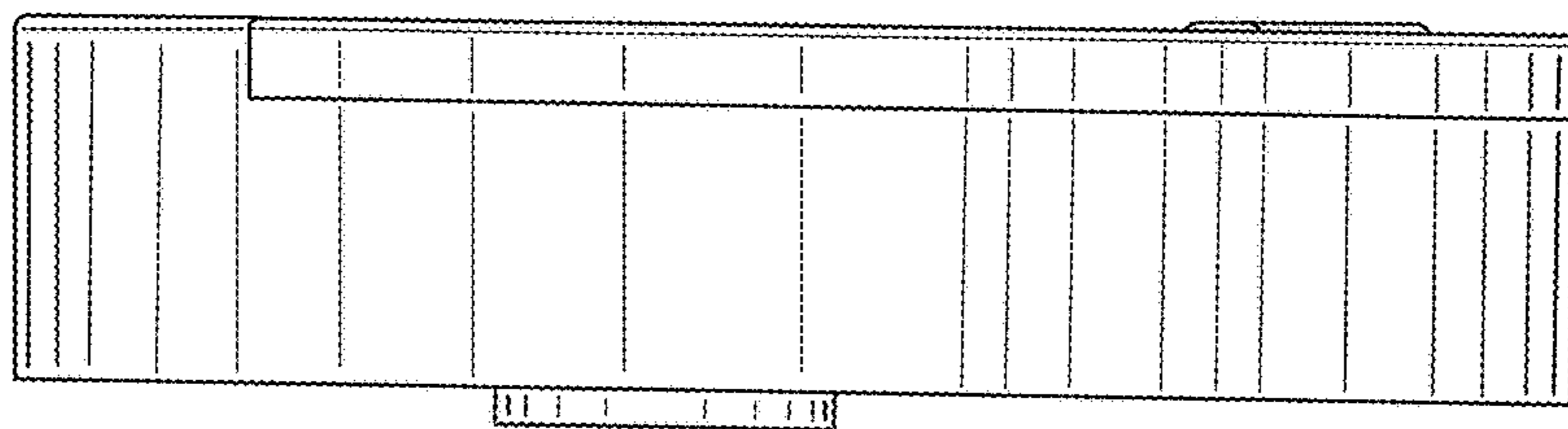


FIG. 7

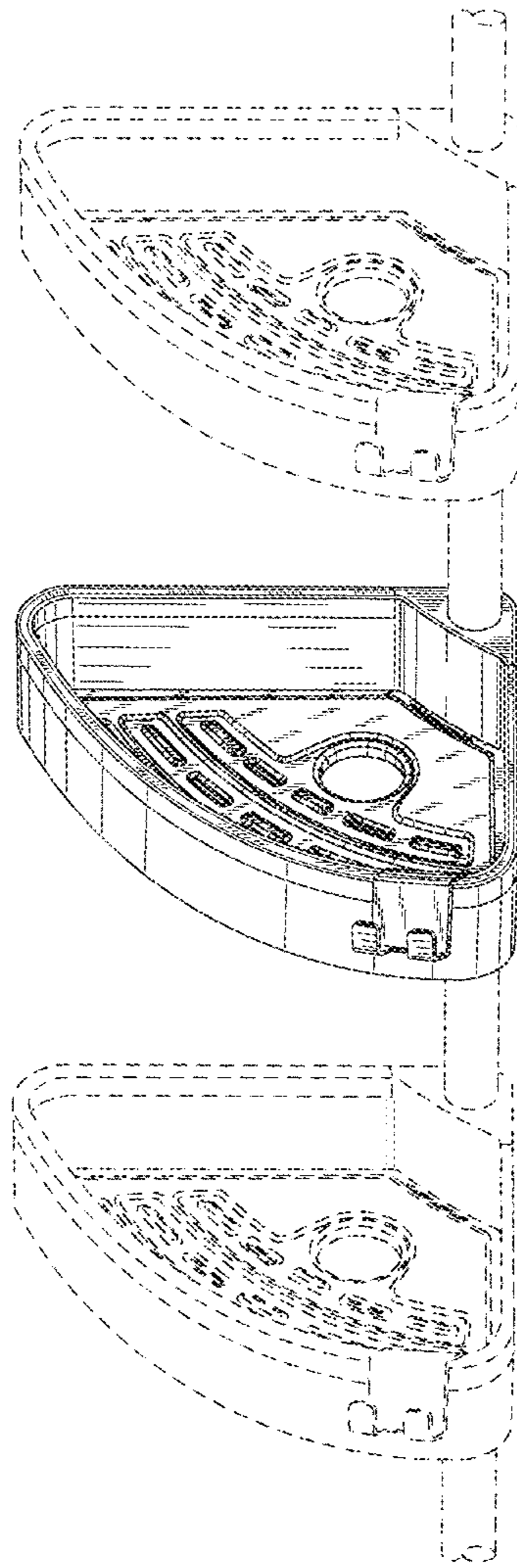


FIG. 8