



US00D859877S

(12) **United States Design Patent**  
**Tuang**

(10) **Patent No.:** **US D859,877 S**

(45) **Date of Patent:** **\*\* Sep. 17, 2019**

(54) **CAN RACK**

(71) Applicant: **EP Family Corp.**, Walnut, CA (US)

(72) Inventor: **Bao-Yi Tuang**, Walnut, CA (US)

(\*\*) Term: **15 Years**

(21) Appl. No.: **29/639,980**

(22) Filed: **Mar. 9, 2018**

(51) **LOC (12) Cl.** ..... **06-04**

(52) **U.S. Cl.**  
USPC ..... **D6/515; D7/704**

(58) **Field of Classification Search**  
USPC ..... **D7/701-708; D6/675.2, 515**  
CPC ... **A47F 1/121; A47F 1/12; A47F 1/00; A47B**  
**73/002**

See application file for complete search history.

(56) **References Cited**

**U.S. PATENT DOCUMENTS**

- 3,203,553 A \* 8/1965 Pendergrast, Jr. .... A47F 1/121  
211/133.5
- 4,776,470 A \* 10/1988 Chap ..... A47B 73/002  
211/181.1
- D347,922 S \* 6/1994 Trevaskis ..... D6/515
- D354,181 S \* 1/1995 Smith ..... D6/515

\* cited by examiner

*Primary Examiner* — Terry A Wallace

(74) *Attorney, Agent, or Firm* — Tommy SF Wang; Wang IP Law Group, P.C.

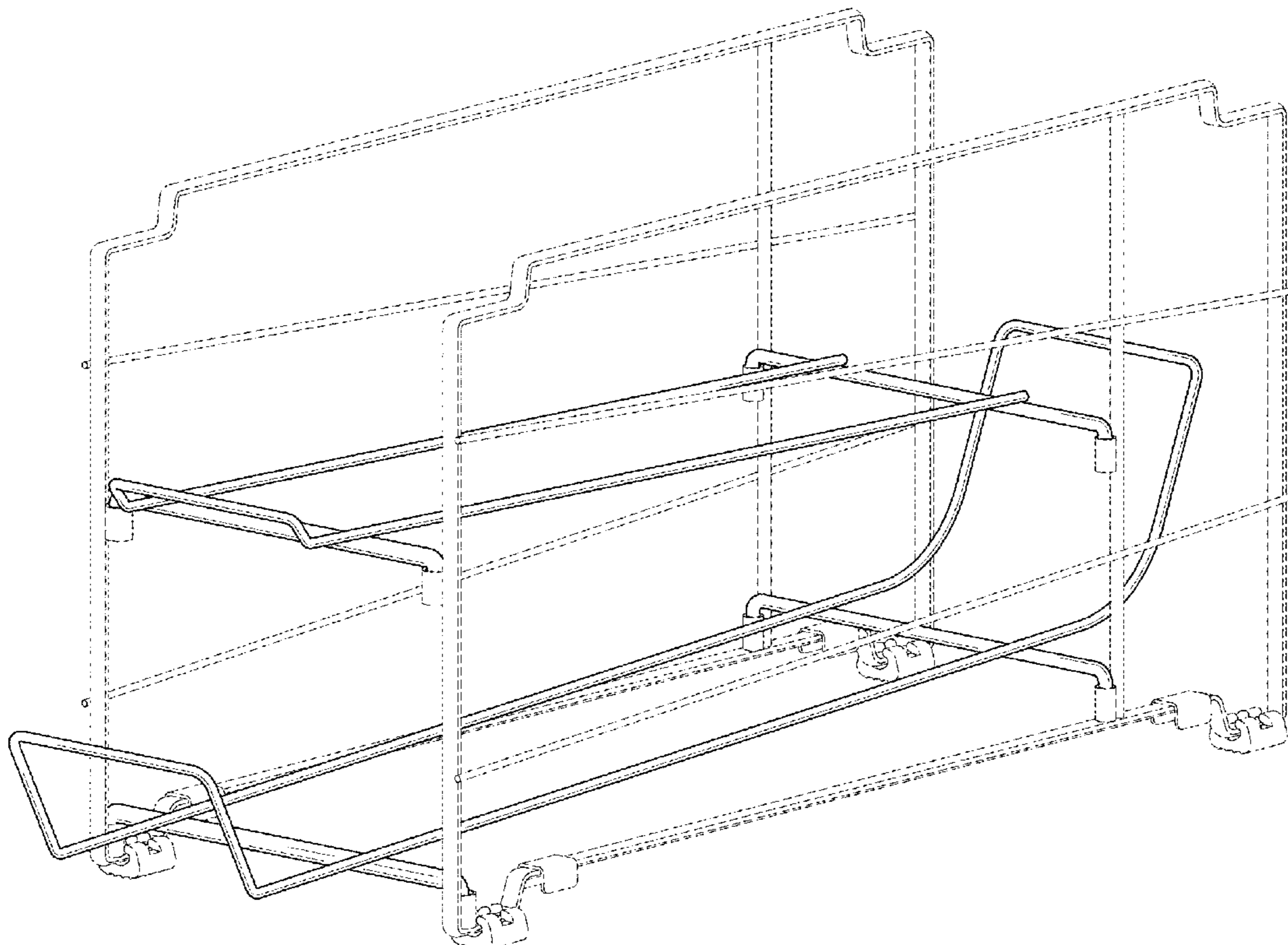
(57) **CLAIM**

The ornamental design for a can rack, as shown and described.

**DESCRIPTION**

FIG. 1 is a perspective view of a can rack showing my new design;  
 FIG. 2 is a front view thereof;  
 FIG. 3 is a rear view thereof;  
 FIG. 4 is a left side view thereof;  
 FIG. 5 is a right side view thereof;  
 FIG. 6 is a top view thereof;  
 FIG. 7 is a bottom view thereof; and,  
 FIG. 8 is another perspective view thereof with an additional can rack in broken lines.  
 The broken line portions of the can rack in FIGS. 1-8 represent unclaimed portions of the claimed design and form no part thereof. The broken lines of the additional can rack in FIG. 8 illustrate unclaimed environment and forms no part of the claimed design.

**1 Claim, 8 Drawing Sheets**



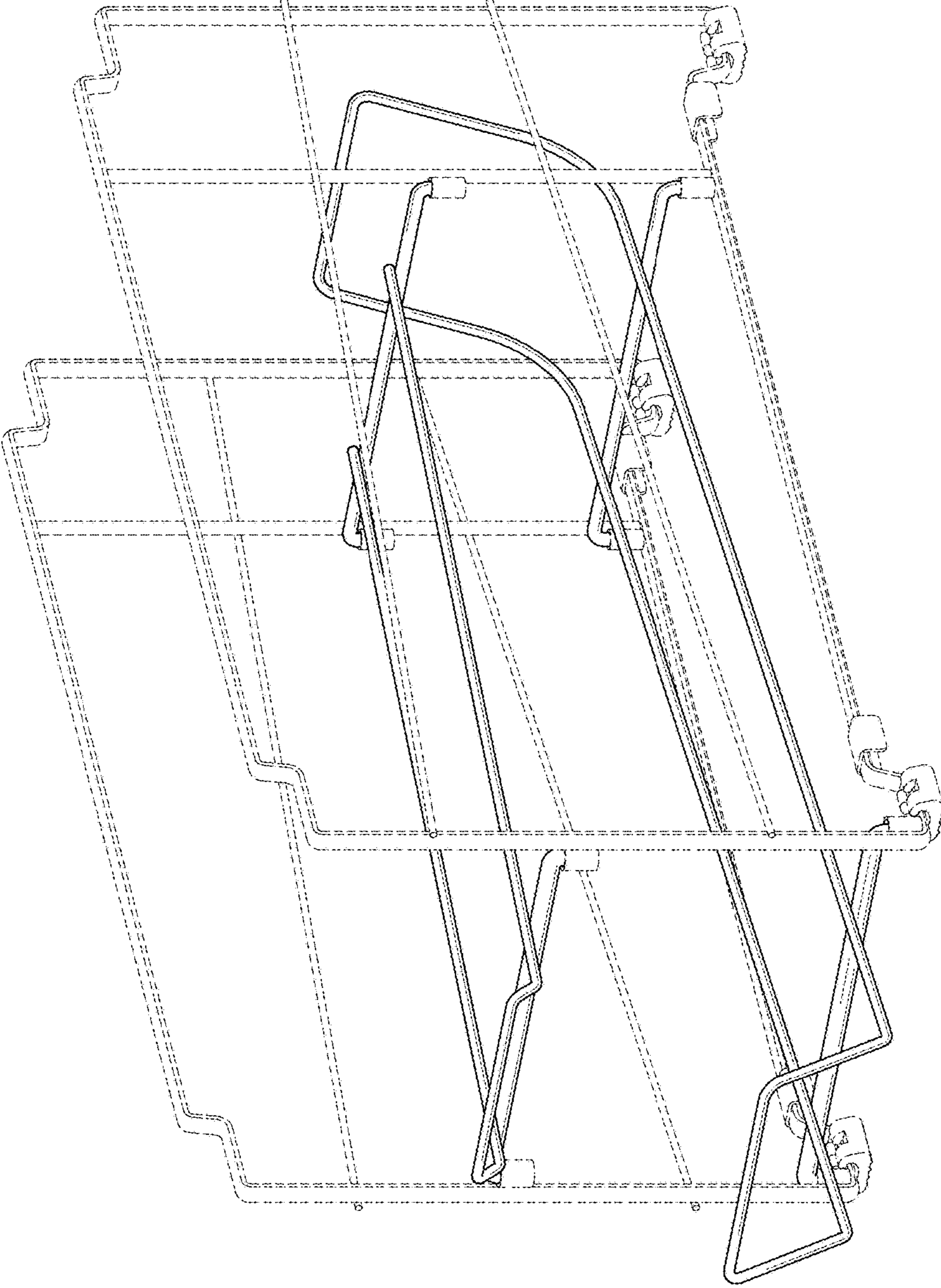


FIG. 1

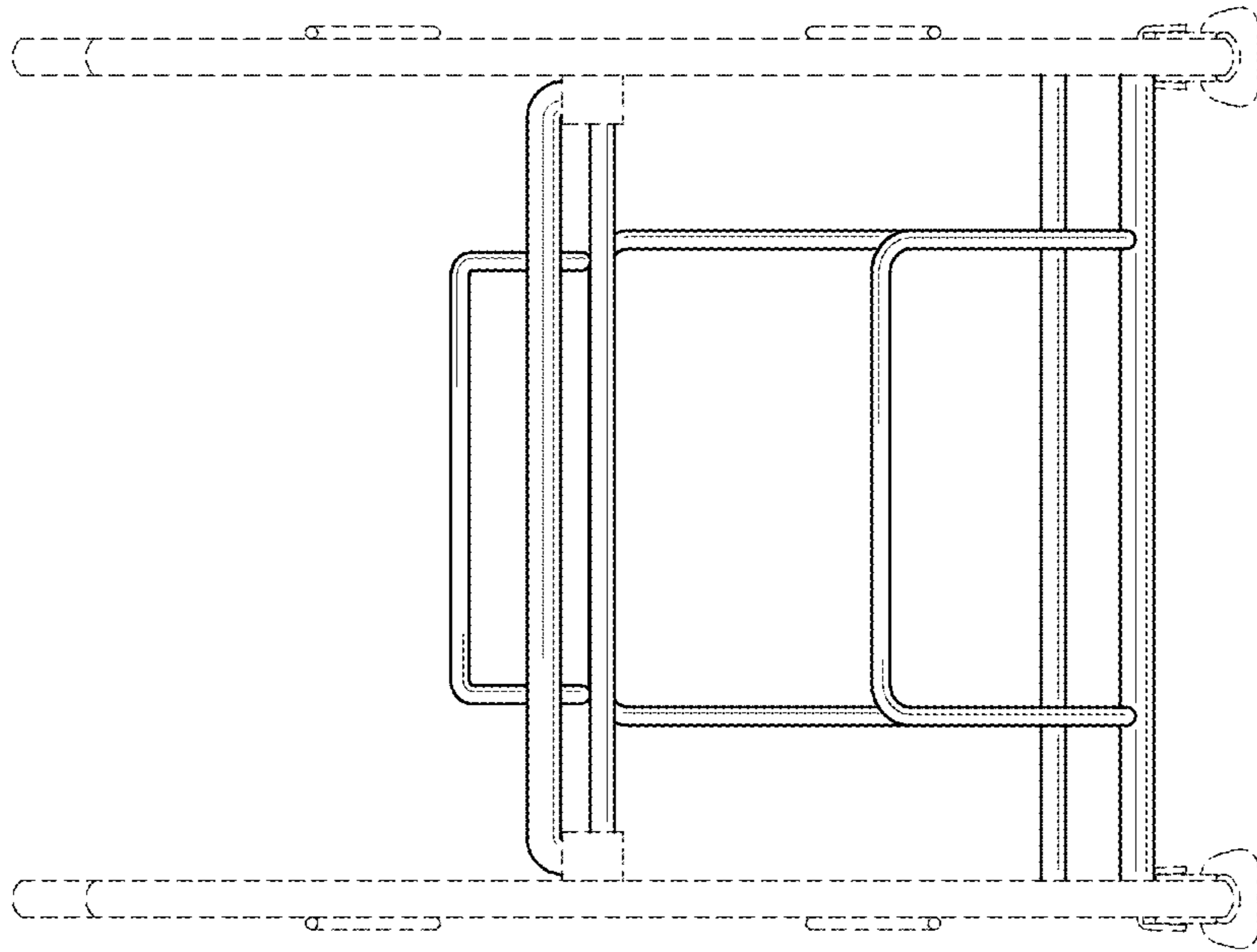


FIG. 2

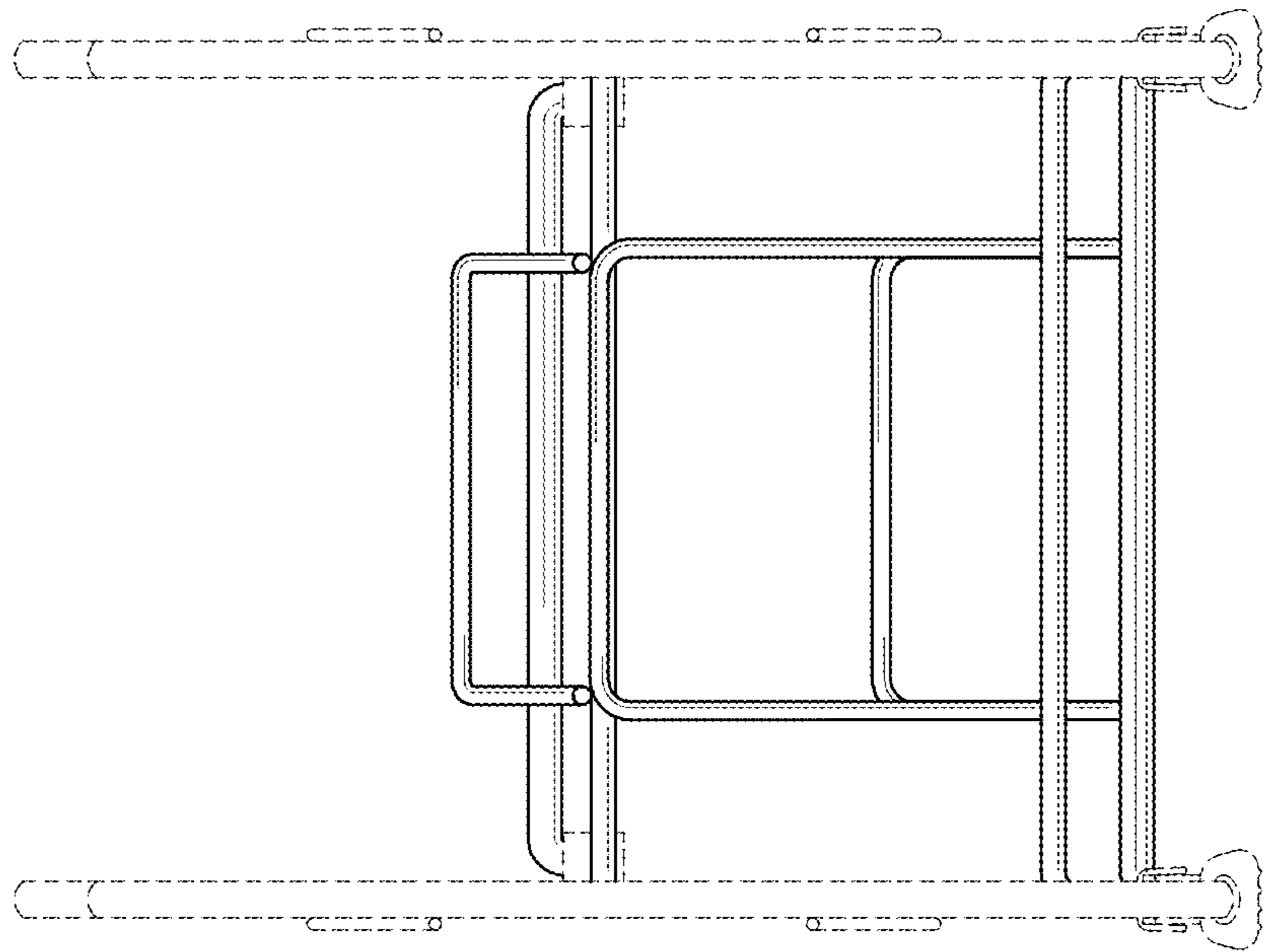


FIG. 3

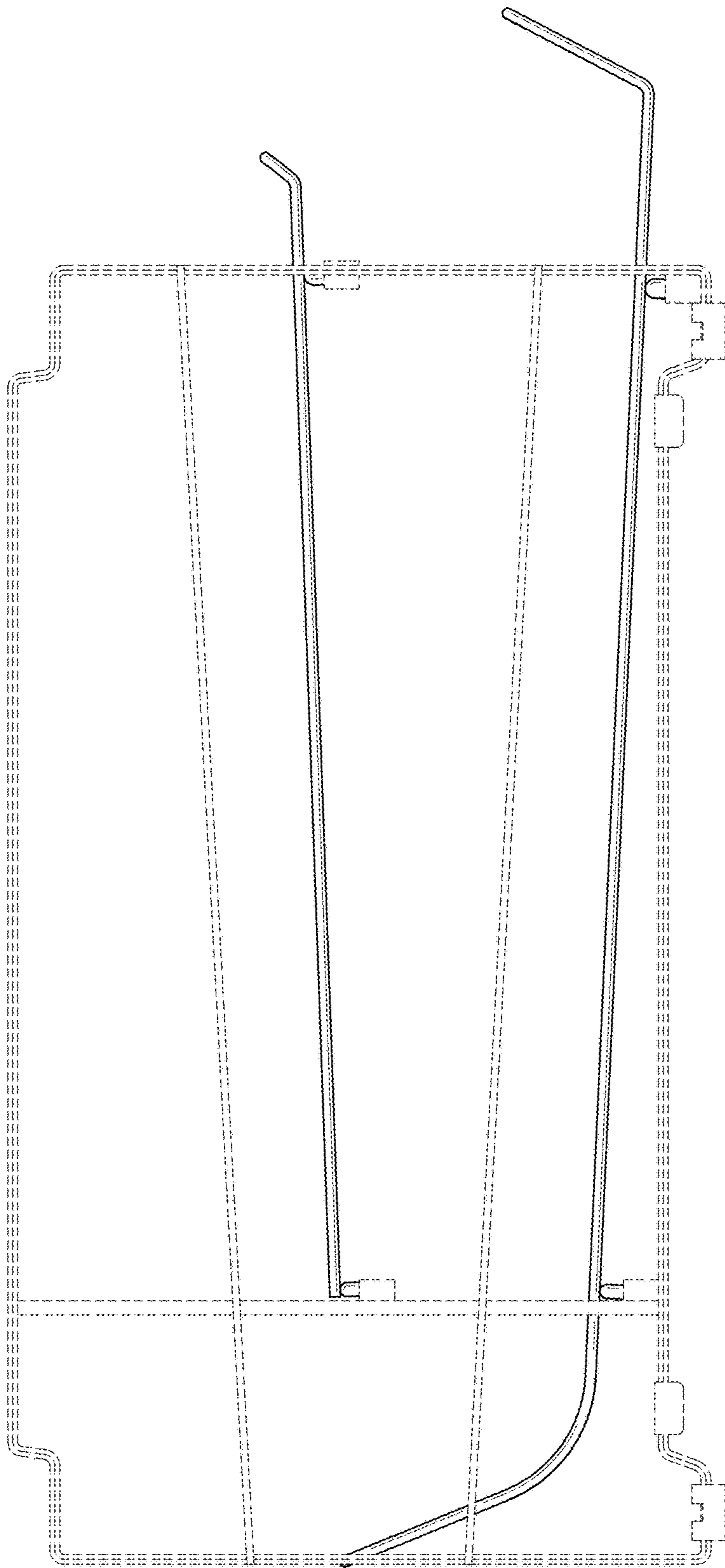


FIG. 4



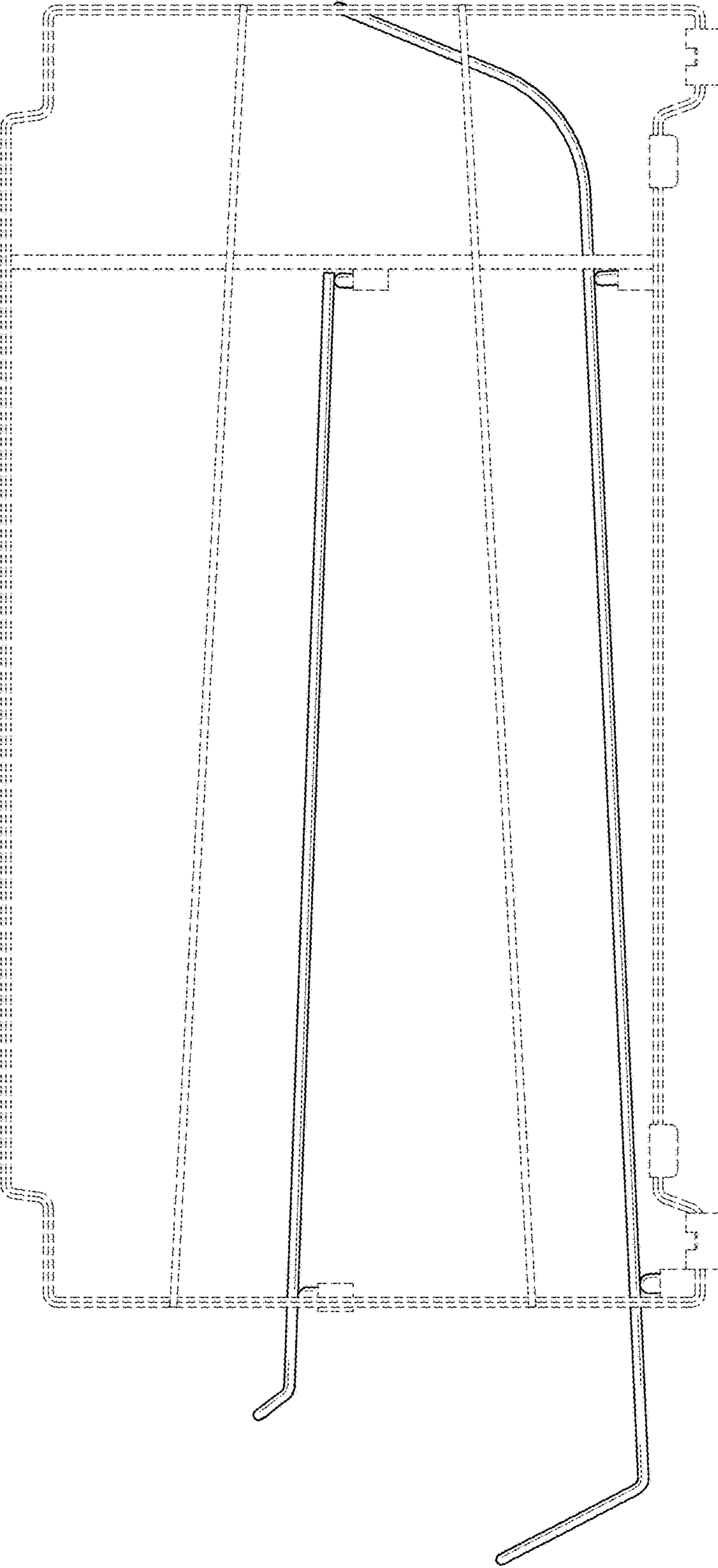


FIG. 5

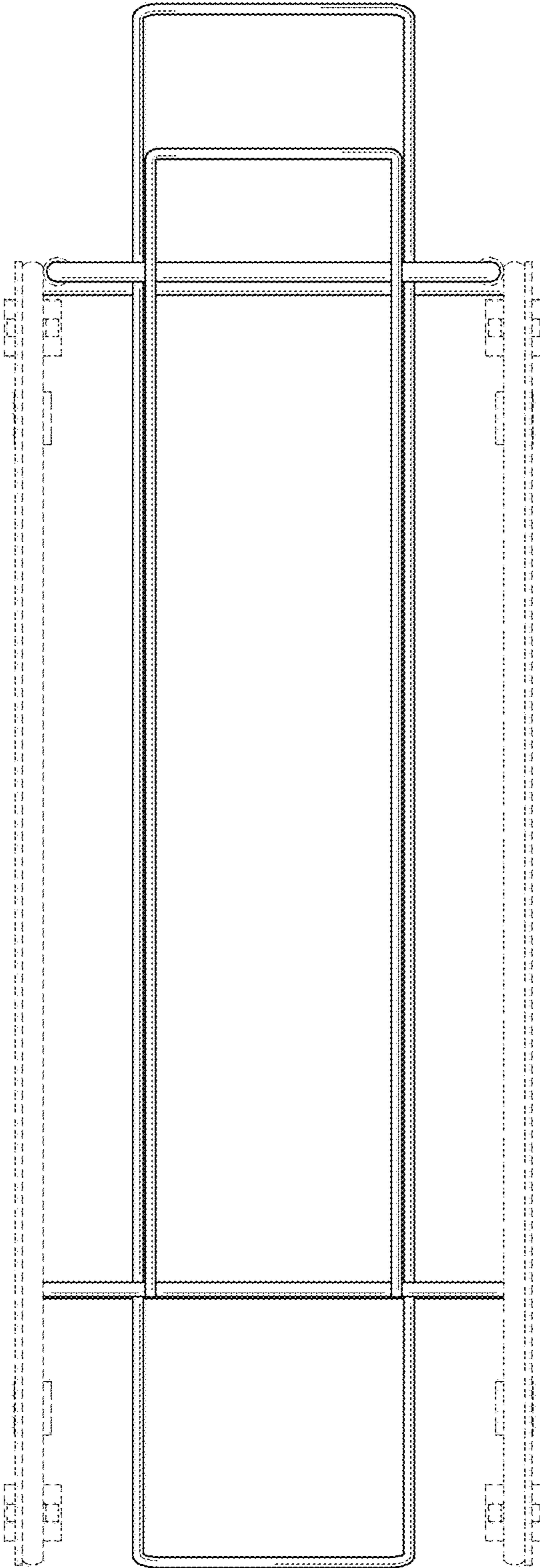


FIG. 6

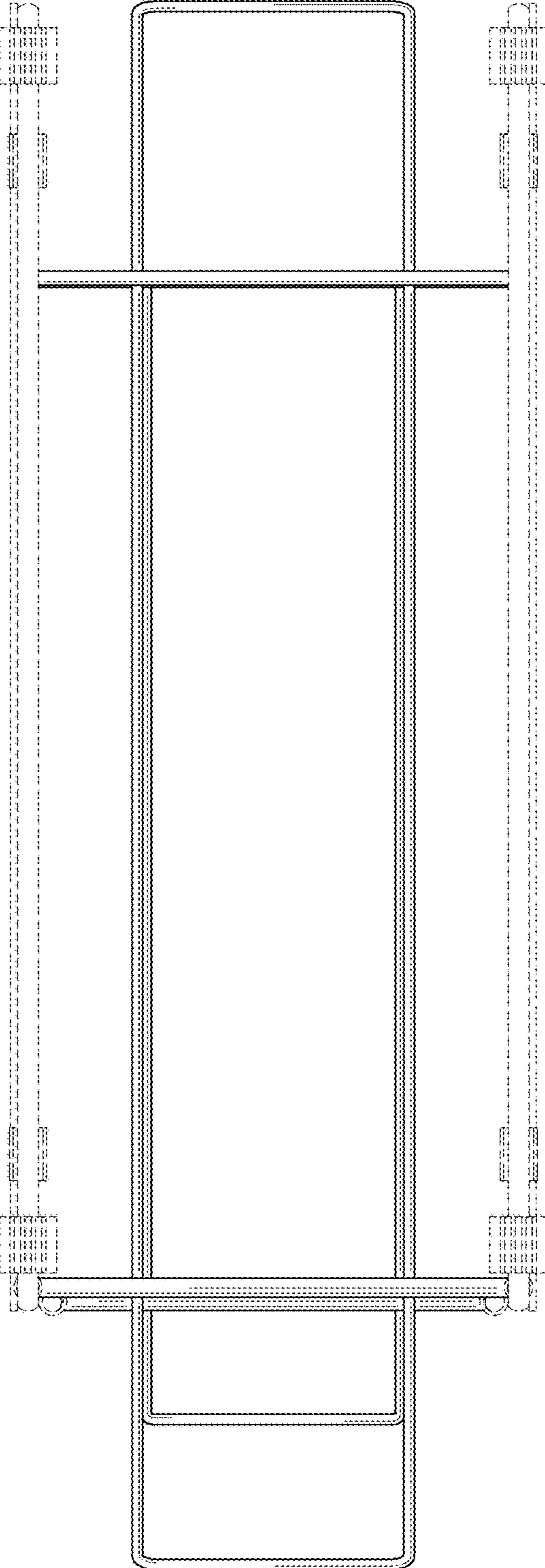


FIG. 7



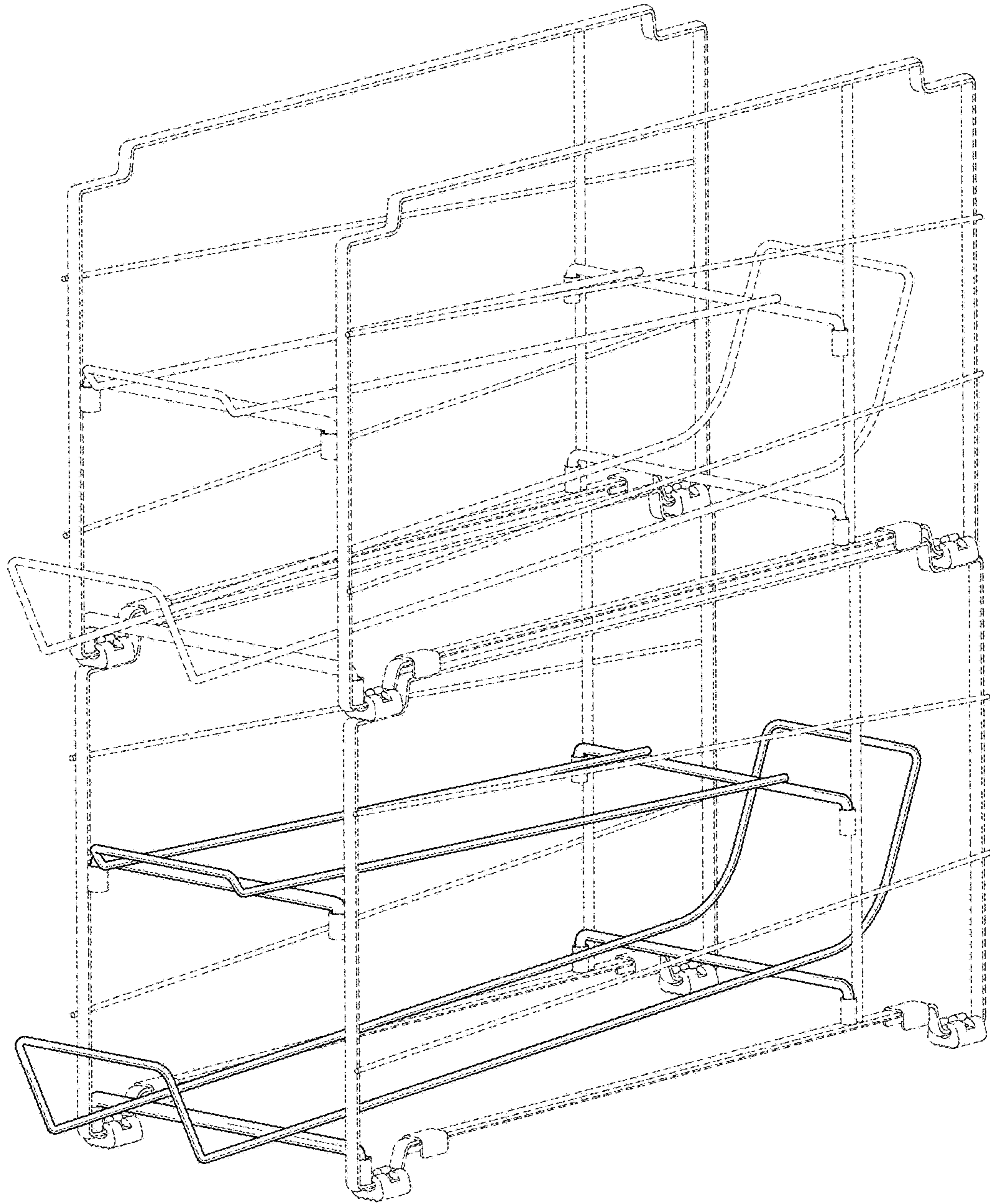


FIG. 8