



US00D859876S

(12) **United States Design Patent**  
**Melaragno**

(10) **Patent No.:** **US D859,876 S**

(45) **Date of Patent:** **\*\* Sep. 17, 2019**

- (54) **SHELF**
- (71) Applicant: **Melanie M. Melaragno**, Wickliffe, OH (US)
- (72) Inventor: **Melanie M. Melaragno**, Wickliffe, OH (US)
- (73) Assignee: **SHORE SHELF LLC**, Wickliffe, OH (US)
- (\*\*) Term: **15 Years**
- (21) Appl. No.: **29/646,563**
- (22) Filed: **May 4, 2018**
- (51) **LOC (12) Cl.** ..... **06-06**
- (52) **U.S. Cl.**  
USPC ..... **D6/406.1**
- (58) **Field of Classification Search**  
USPC ..... D6/512-514, 553, 685-686, 691, 704, D6/707.19, 705, 406.1, 406.2, 406.3; D7/545, 550.1, 554.3, 554.4, 698; D12/400, 415-416  
CPC ..... A47B 5/02; A47B 13/08; A47B 23/04; A47C 7/68; A47C 7/705; A47G 23/06; A47G 23/0608; A47G 29/093  
See application file for complete search history.

(56) **References Cited**

**U.S. PATENT DOCUMENTS**

1,891,834	A	12/1932	Pendleton	
3,407,757	A *	10/1968	Warner	A45F 5/00 108/43
4,122,780	A	10/1978	Brickman	
4,779,884	A	10/1988	Minati	
4,936,470	A	6/1990	Prindle	
D323,560	S *	1/1992	Boyce	D24/183
5,333,929	A	8/1994	Slagerman	
5,460,276	A	10/1995	McKeon et al.	
D390,718	S *	2/1998	Howland	D6/406.6

5,887,940	A	3/1999	Anderson et al.	
5,893,331	A	4/1999	Diletto	
D428,729	S *	8/2000	Weitzman	D6/406.5
D619,822	S *	7/2010	Damgaard-Sorensen	D6/406.1
D652,932	S *	1/2012	Petteway	D24/164
8,261,920	B1 *	9/2012	Matthews	A47B 5/02 108/42
D714,073	S *	9/2014	Pittman	D6/406.2
8,979,190	B2 *	3/2015	Madrigal	A47B 83/02 297/161
D733,155	S *	6/2015	van Hooft	D14/447
D739,665	S *	9/2015	Kapp	D6/513
9,179,769	B1	11/2015	Port	
D749,869	S *	2/2016	Wenji	D6/406.2
9,554,643	B2	1/2017	Nelson et al.	
9,578,960	B1 *	2/2017	Wu	A47B 21/0314
9,629,457	B2	4/2017	Cohen et al.	

(Continued)

*Primary Examiner* — Kelley A Donnelly

(74) *Attorney, Agent, or Firm* — Jacob M. Ward; Ward Law Office LLC

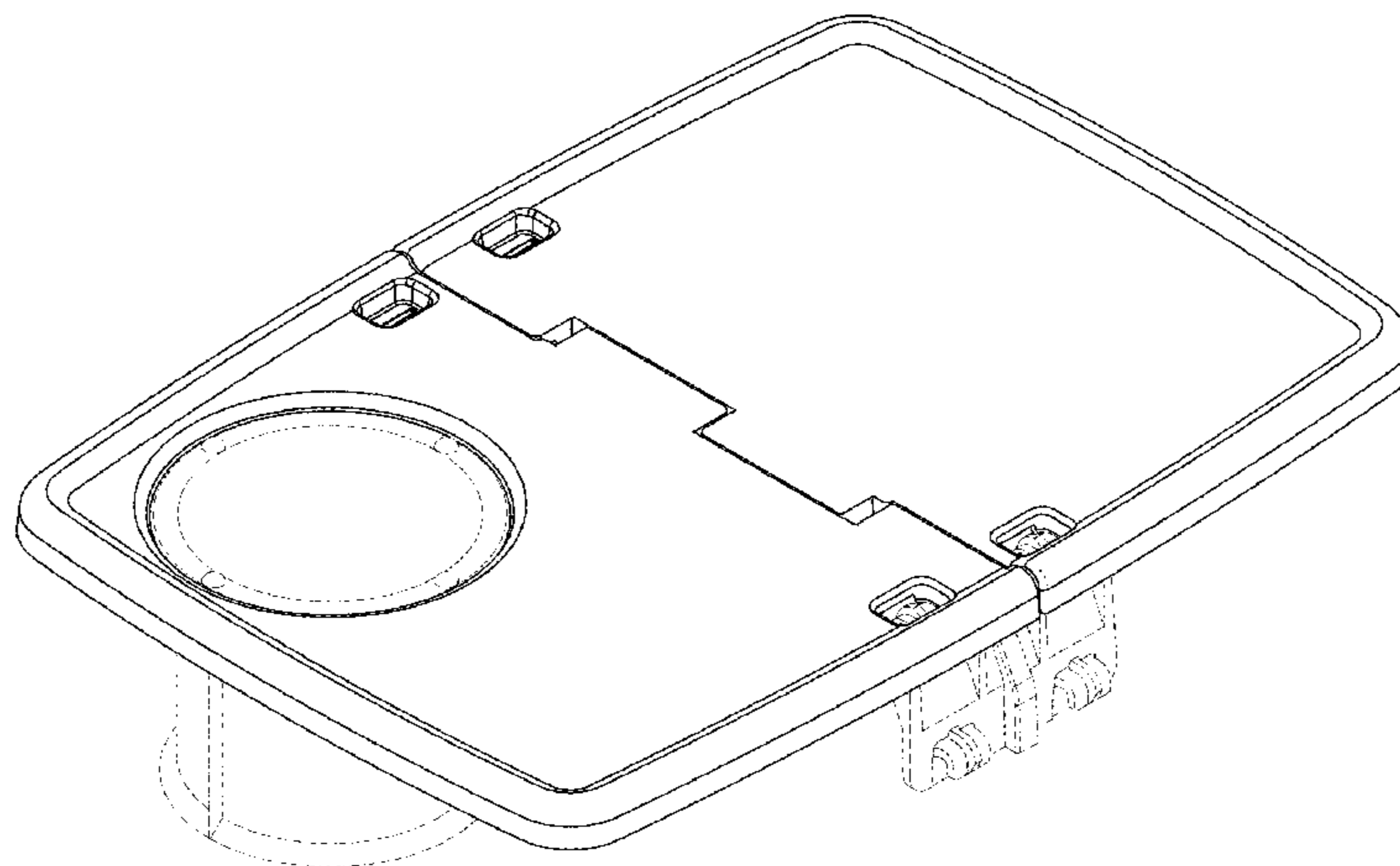
(57) **CLAIM**

The ornamental design for a shelf, as shown and described.

**DESCRIPTION**

FIG. 1 is a top perspective view of a shelf;  
 FIG. 2 is a bottom perspective view of the shelf shown in FIG. 1;  
 FIG. 3 is a top plan view thereof;  
 FIG. 4 is a bottom plan view thereof;  
 FIG. 5 is a front elevational view thereof;  
 FIG. 6 is a rear elevational view thereof;  
 FIG. 7 is a left side elevational view thereof; and,  
 FIG. 8 is a right side elevational view thereof.  
 The broken lines in the drawings form no part of the claimed design.  
 The ornamental design which is claimed is shown in solid lines in the drawings.

**1 Claim, 5 Drawing Sheets**



(56)

**References Cited**

U.S. PATENT DOCUMENTS

D798,078 S \* 9/2017 Kasparian ..... D6/406.1  
9,814,305 B2 11/2017 Brus et al.  
D834,198 S \* 11/2018 Shi ..... D24/183  
D840,708 S \* 2/2019 Melaragno ..... D6/406.5  
2002/0109058 A1 8/2002 Gish  
2004/0139892 A1 7/2004 Giegerich  
2004/0226486 A1 11/2004 Simpson  
2007/0056482 A1 3/2007 Robinson et al.  
2007/0101908 A1 5/2007 Makita  
2008/0041282 A1 2/2008 Goschy  
2014/0102337 A1 4/2014 Ralph et al.  
2015/0208634 A1 7/2015 Box et al.  
2015/0320196 A1 11/2015 Polizzi  
2016/0037906 A1 2/2016 Knight  
2016/0113388 A1 4/2016 Distefano  
2016/0223002 A1 8/2016 Muller et al.  
2017/0042321 A1 2/2017 Clause et al.

\* cited by examiner

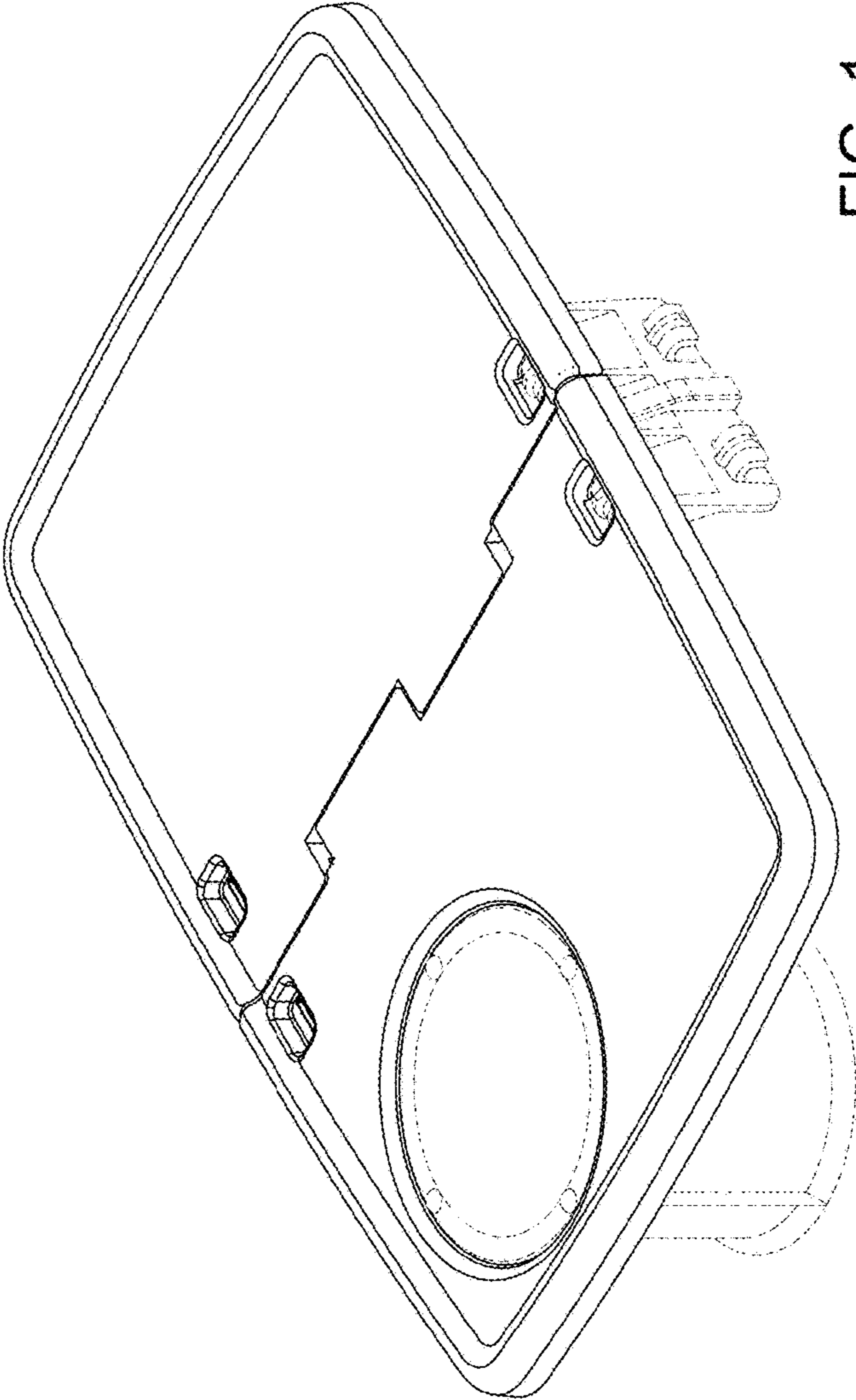


FIG. 1

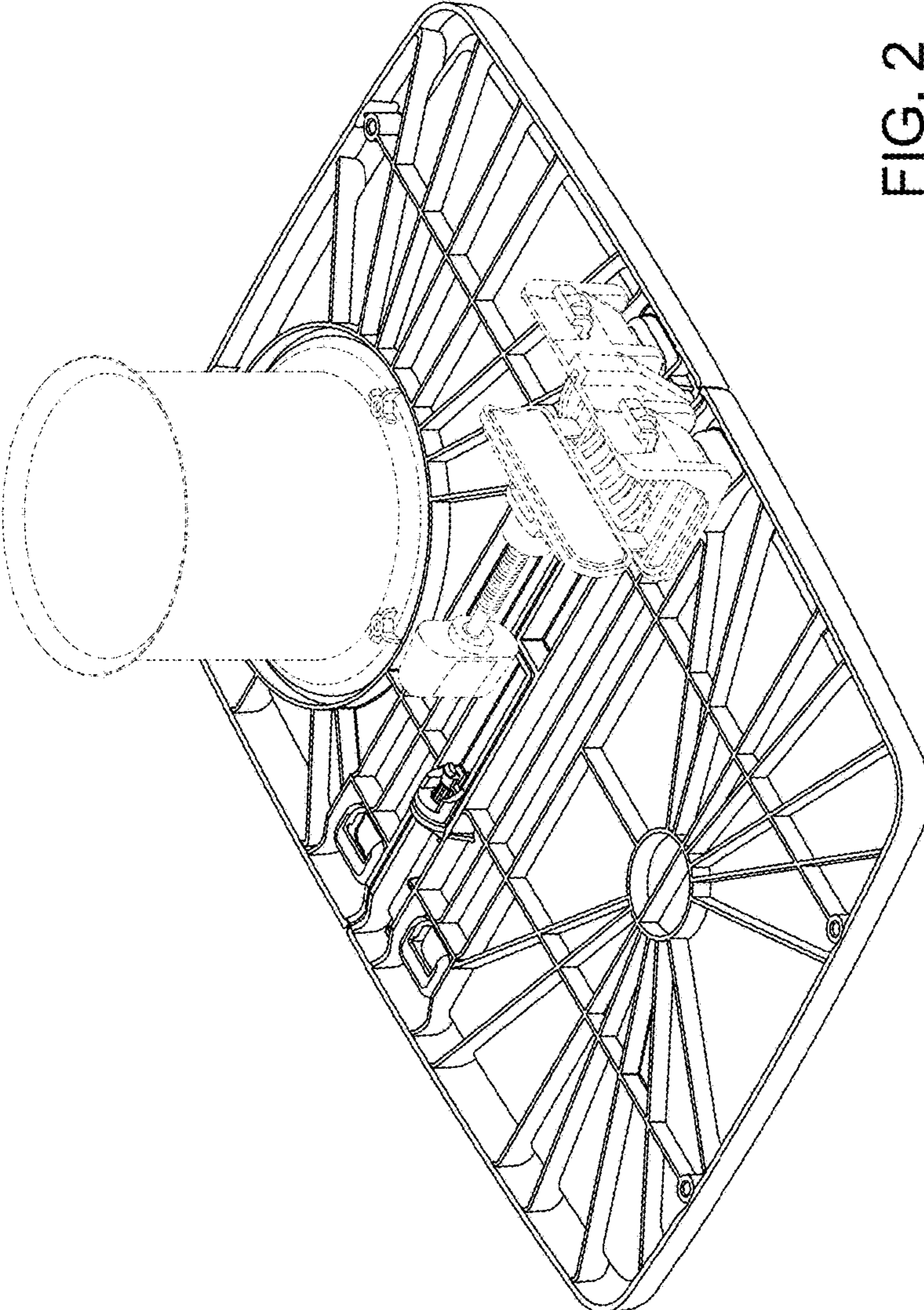


FIG. 2

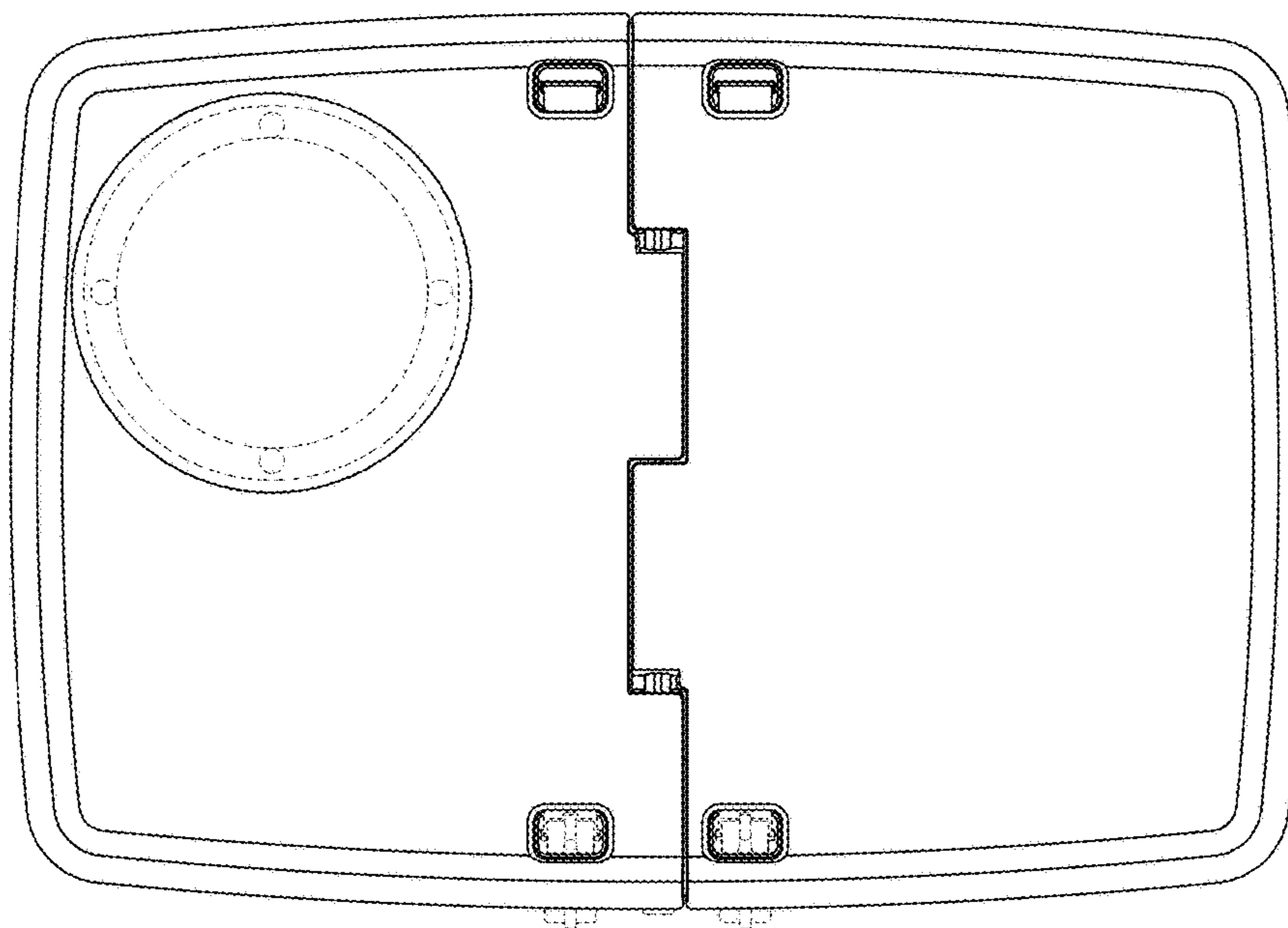


FIG. 3

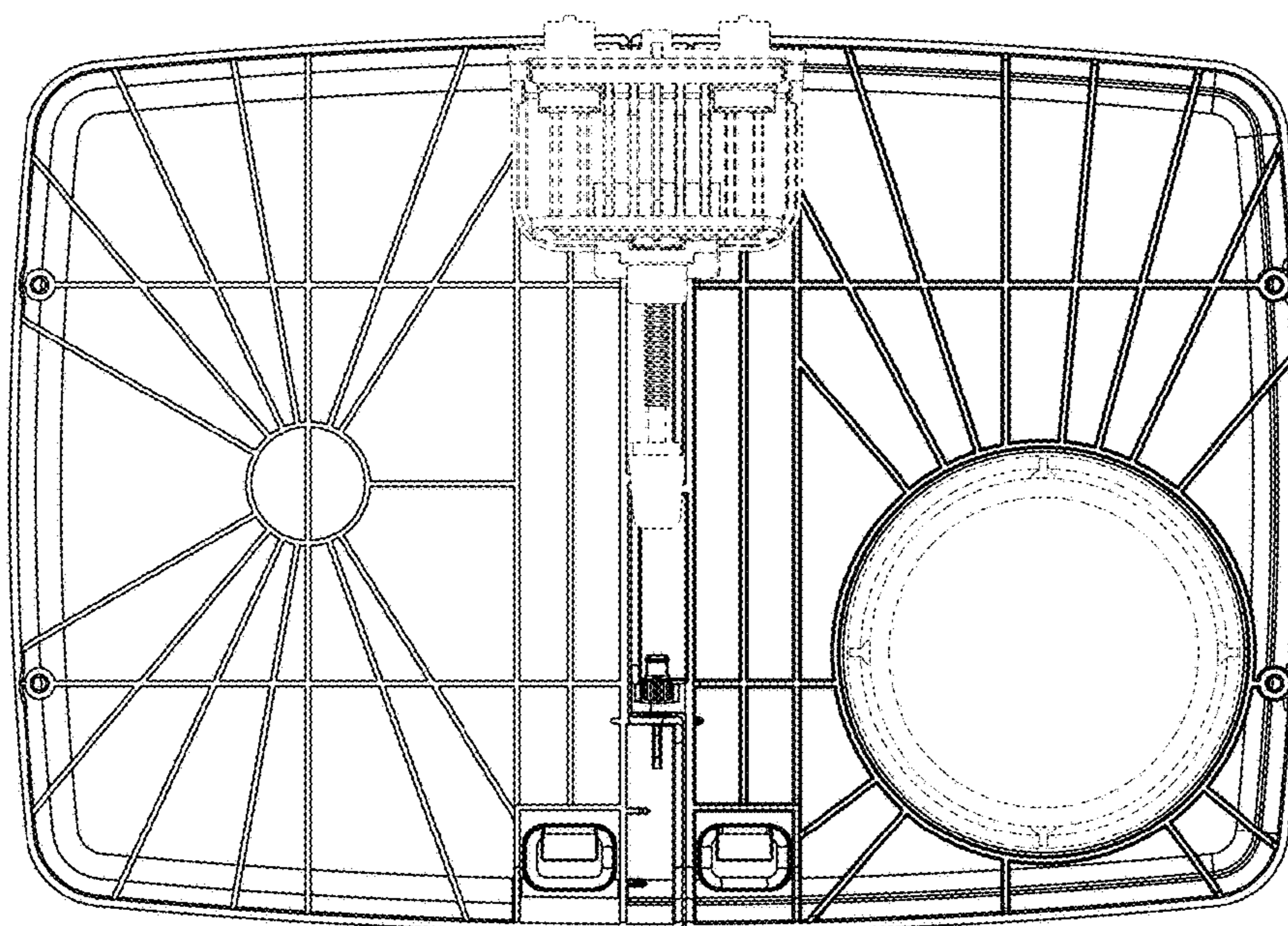


FIG. 4

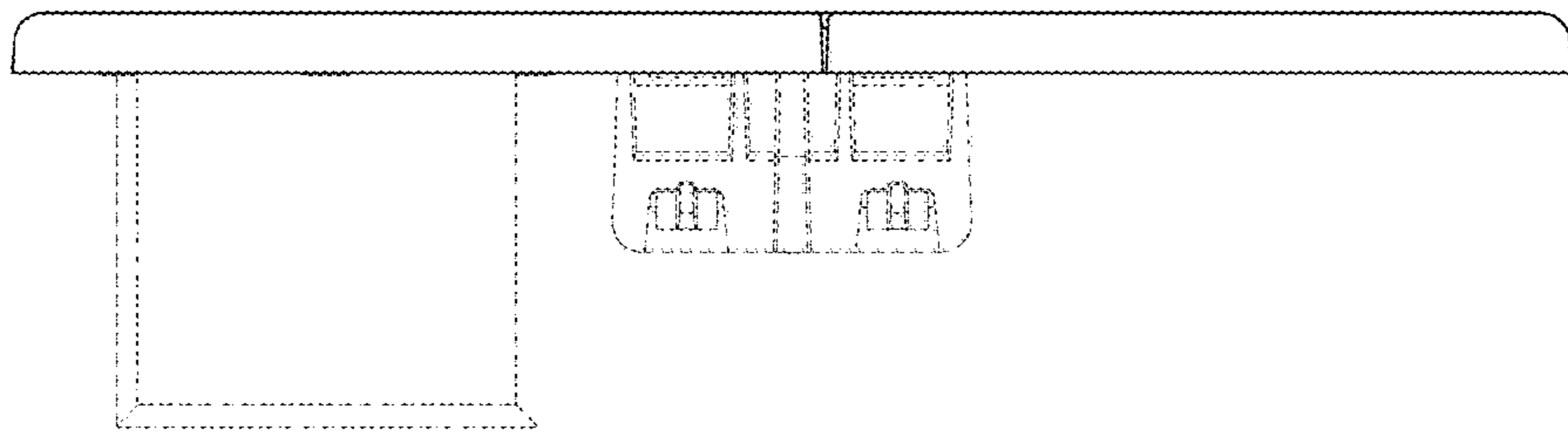


FIG. 5

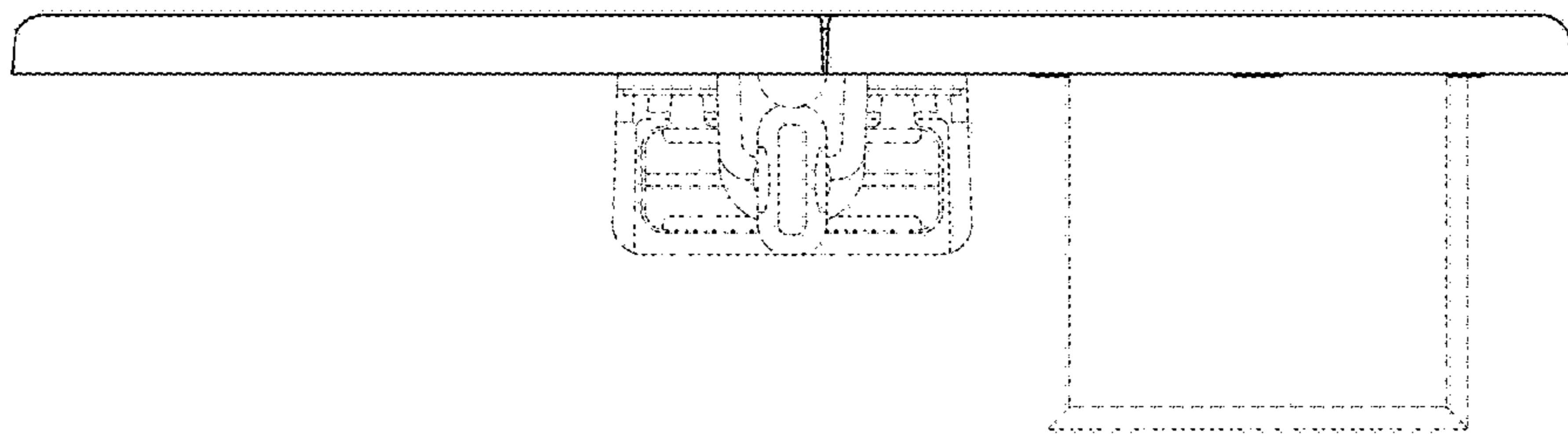


FIG. 6

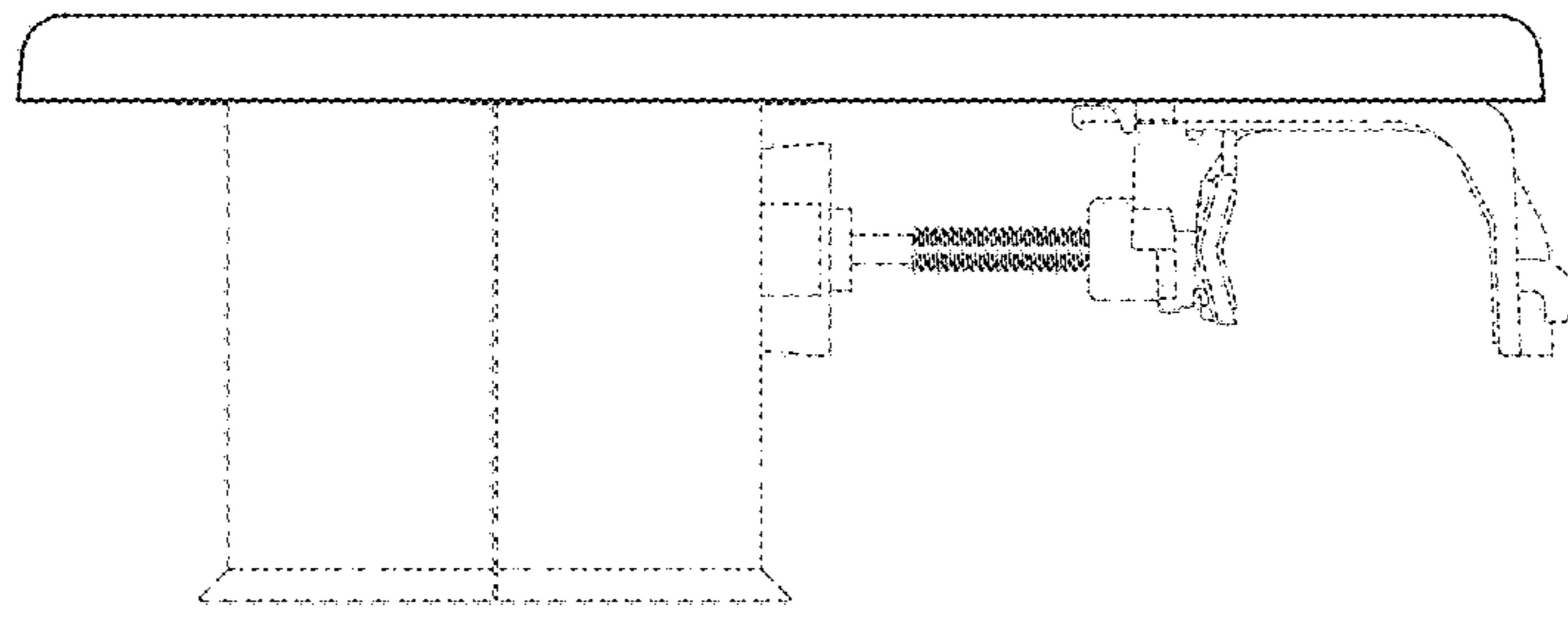


FIG. 7

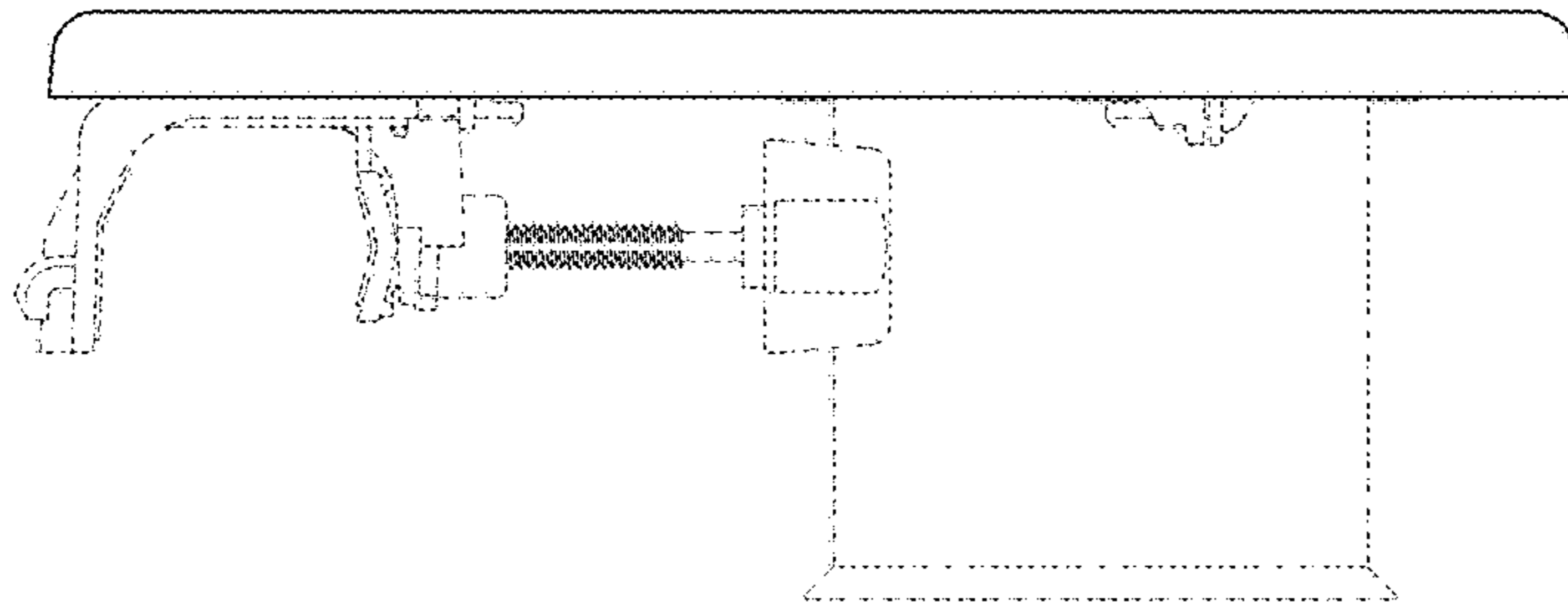


FIG. 8