



US00D859875S

(12) **United States Design Patent** (10) **Patent No.:** **US D859,875 S**
Cattlin (45) **Date of Patent:** **** Sep. 17, 2019**

(54) **PLANT POT STAND**

(71) Applicant: **Brett Cattlin**, Birmingham (GB)

(72) Inventor: **Brett Cattlin**, Birmingham (GB)

(**) Term: **15 Years**

(21) Appl. No.: **29/583,419**

(22) Filed: **Nov. 4, 2016**

(30) **Foreign Application Priority Data**

May 6, 2016 (EM) 003396688-0008

(51) **LOC (12) Cl.** **06-04**

(52) **U.S. Cl.**

USPC **D6/405**

(58) **Field of Classification Search**

USPC D6/403, 404, 405, 556, 557, 558, 675,
D6/680.2, 683, 708.16, 708.2; D11/143,
D11/144, 145, 146, 147, 148, 149, 150,
D11/151, 152, 153, 154, 155, 156, 164;
D25/100; D26/9, 10, 11, 16, 19

CPC A47G 7/041; A47G 7/044; A47F 7/0078

See application file for complete search history.

(56) **References Cited**

U.S. PATENT DOCUMENTS

- D139,877 S * 1/1945 Eubank D11/143
- 3,021,960 A * 2/1962 Pipe A47B 13/023
211/205
- D282,419 S * 2/1986 Meyer D6/405
- H000824 H * 10/1990 Ghafoorzai 47/44
- D319,361 S * 8/1991 Moser D6/682.4
- D326,573 S * 6/1992 Crawford D6/681.3
- D333,745 S * 3/1993 Ma D6/405
- D463,160 S * 9/2002 Chang D6/680.2
- D721,900 S * 2/2015 Hildebrant D6/405
- D756,153 S * 5/2016 LeFevre D6/682.4

- D814,344 S * 4/2018 Swank D11/143
- D816,369 S * 5/2018 Cattlin D6/557
- D816,370 S * 5/2018 Cattlin D6/557
- 2009/0278013 A1 * 11/2009 Palmer A47G 7/044
248/312.1
- 2010/0011661 A1 * 1/2010 McLaughlin A47G 7/044
47/67
- 2014/0353439 A1 * 12/2014 Schilling A47G 7/041
248/125.1

* cited by examiner

Primary Examiner — Karen S Acker

Assistant Examiner — Steven B Reinholdt, Jr.

(74) *Attorney, Agent, or Firm* — Mark Malek; Widerman Malek, PL

(57) **CLAIM**

The ornamental design for a plant pot stand, as shown and described.

DESCRIPTION

FIG. 1 is a perspective view of a plant pot stand according to the present invention.

FIG. 2 is a front elevation view of the plant pot stand illustrated in FIG. 1.

FIG. 3 is a rear elevation view of the plant pot stand illustrated in FIG. 1.

FIG. 4 is a bottom plan view of the plant pot stand illustrated in FIG. 1.

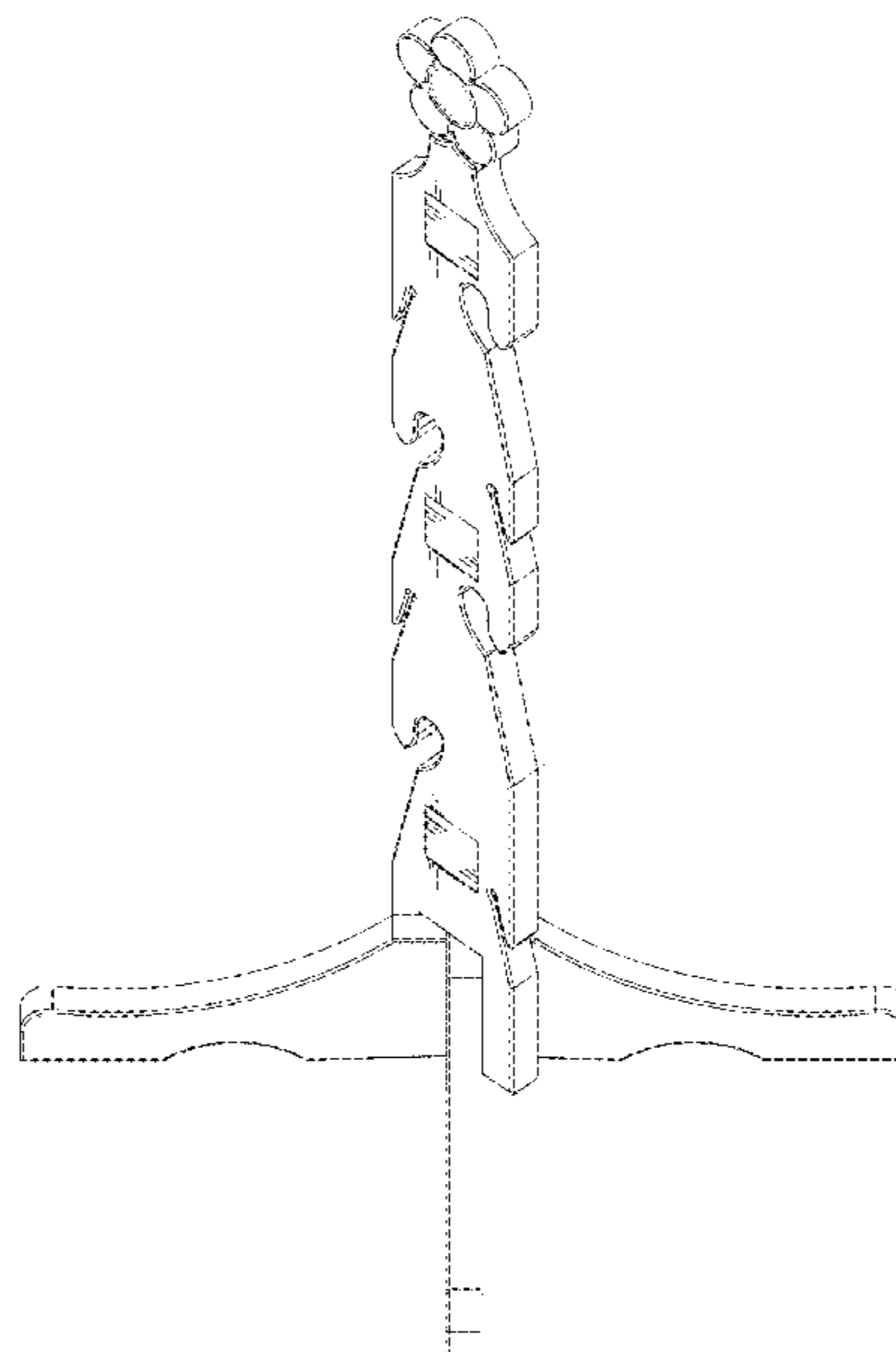
FIG. 5 is a top plan view of the plant pot stand illustrated in FIG. 1.

FIG. 6 is a side elevation view of the plant pot stand illustrated in FIG. 1; and,

FIG. 7 is another side elevation view of the plant pot stand illustrated in FIG. 1.

The broken lines depict portions of the plant pot stand that form no part of the claim.

1 Claim, 7 Drawing Sheets



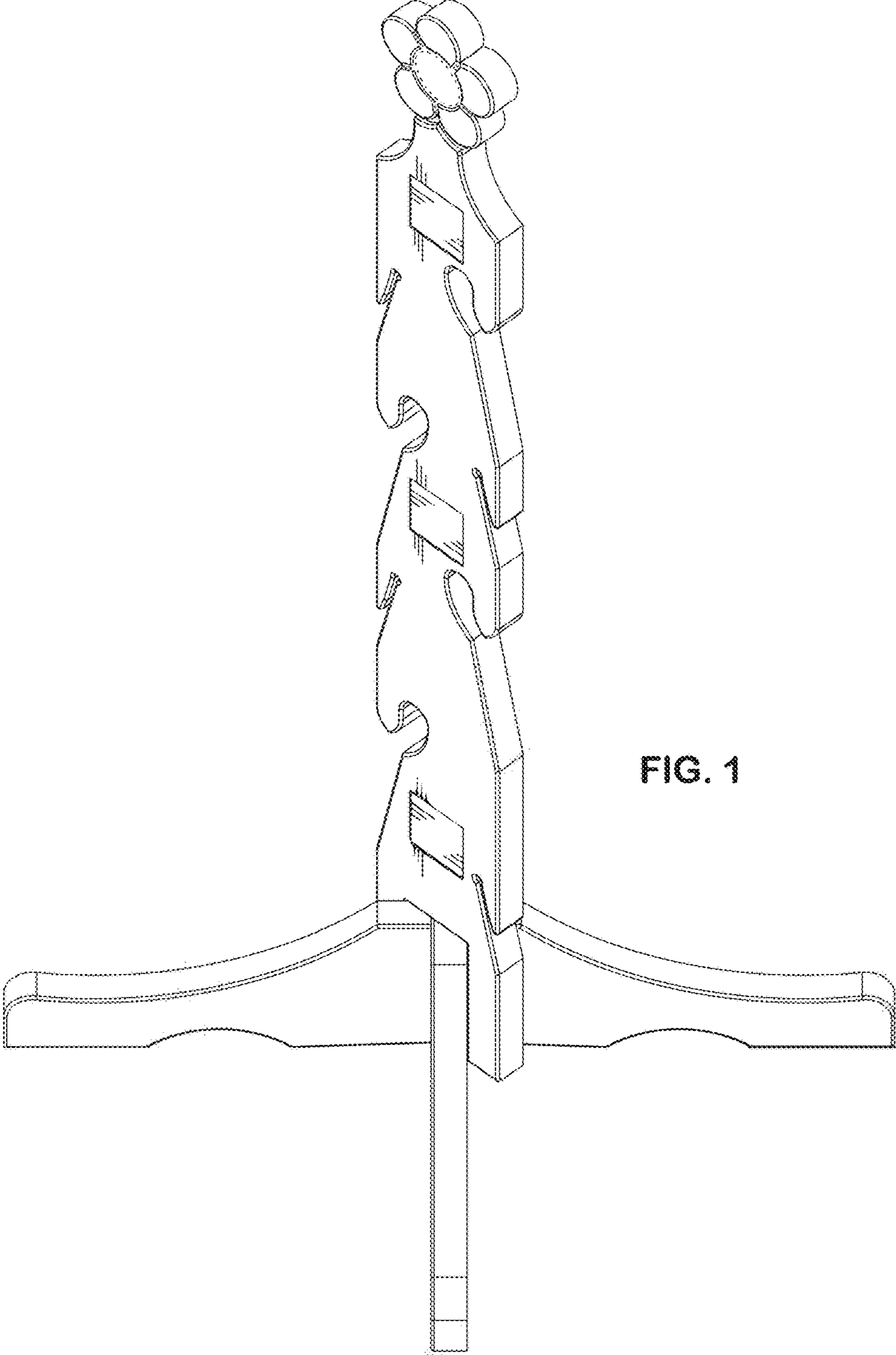


FIG. 1

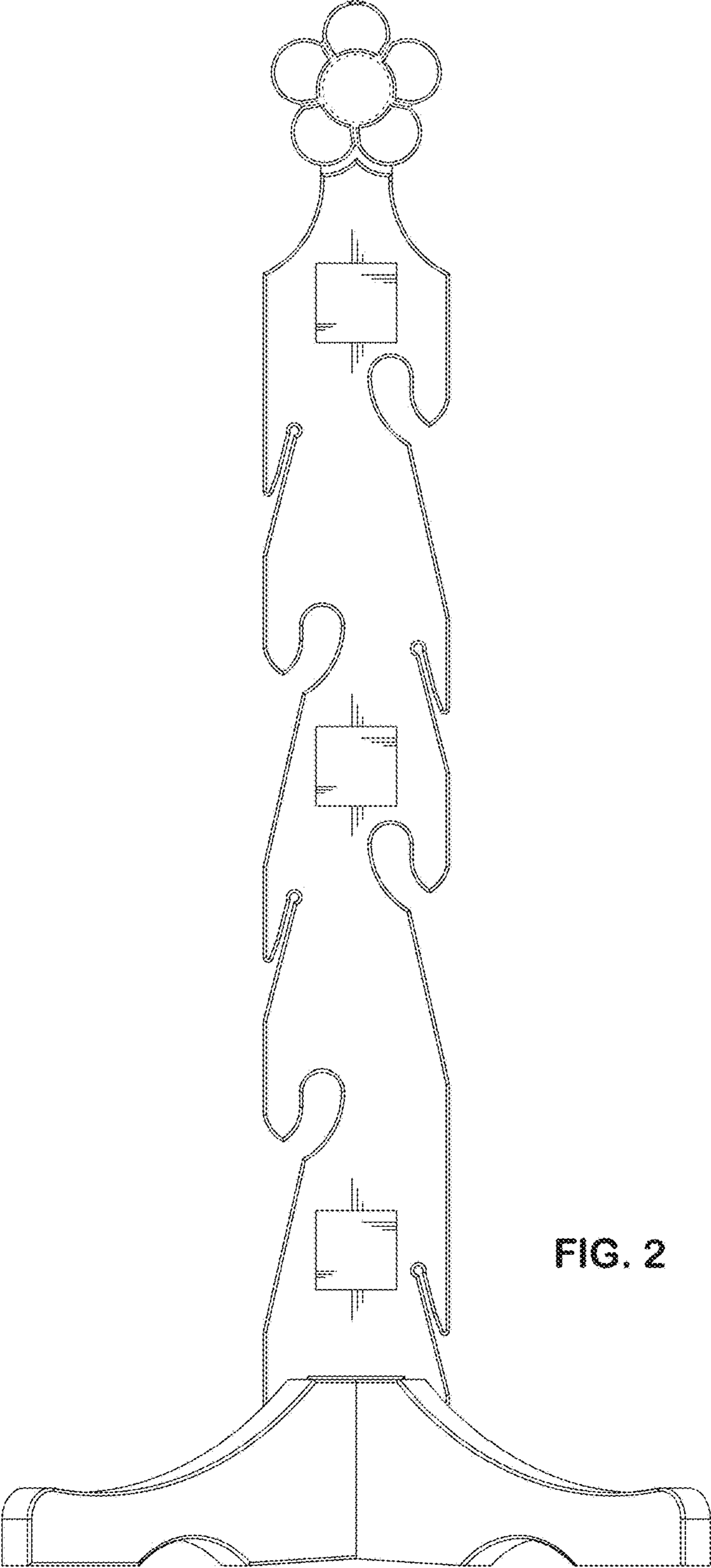


FIG. 2

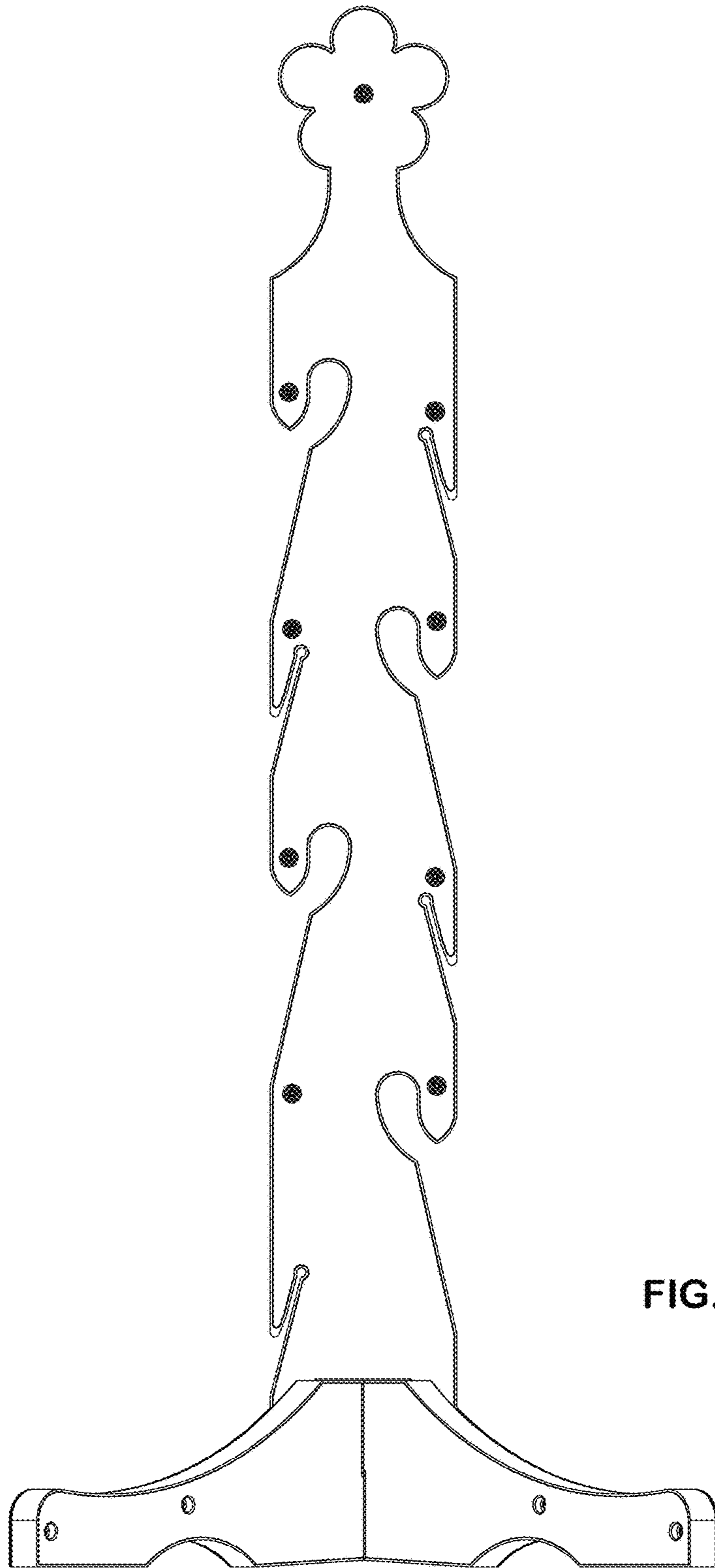


FIG. 3

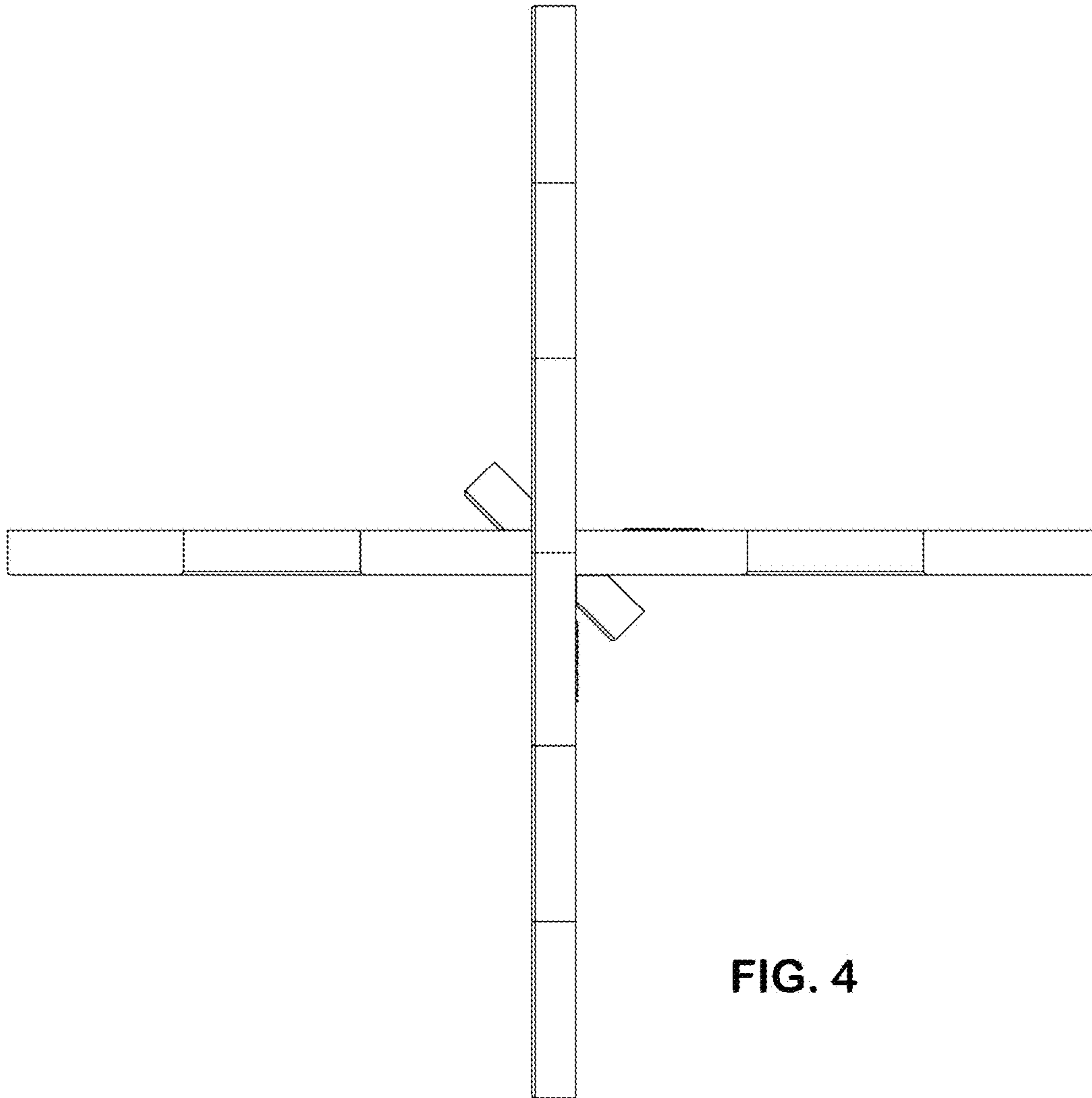


FIG. 4

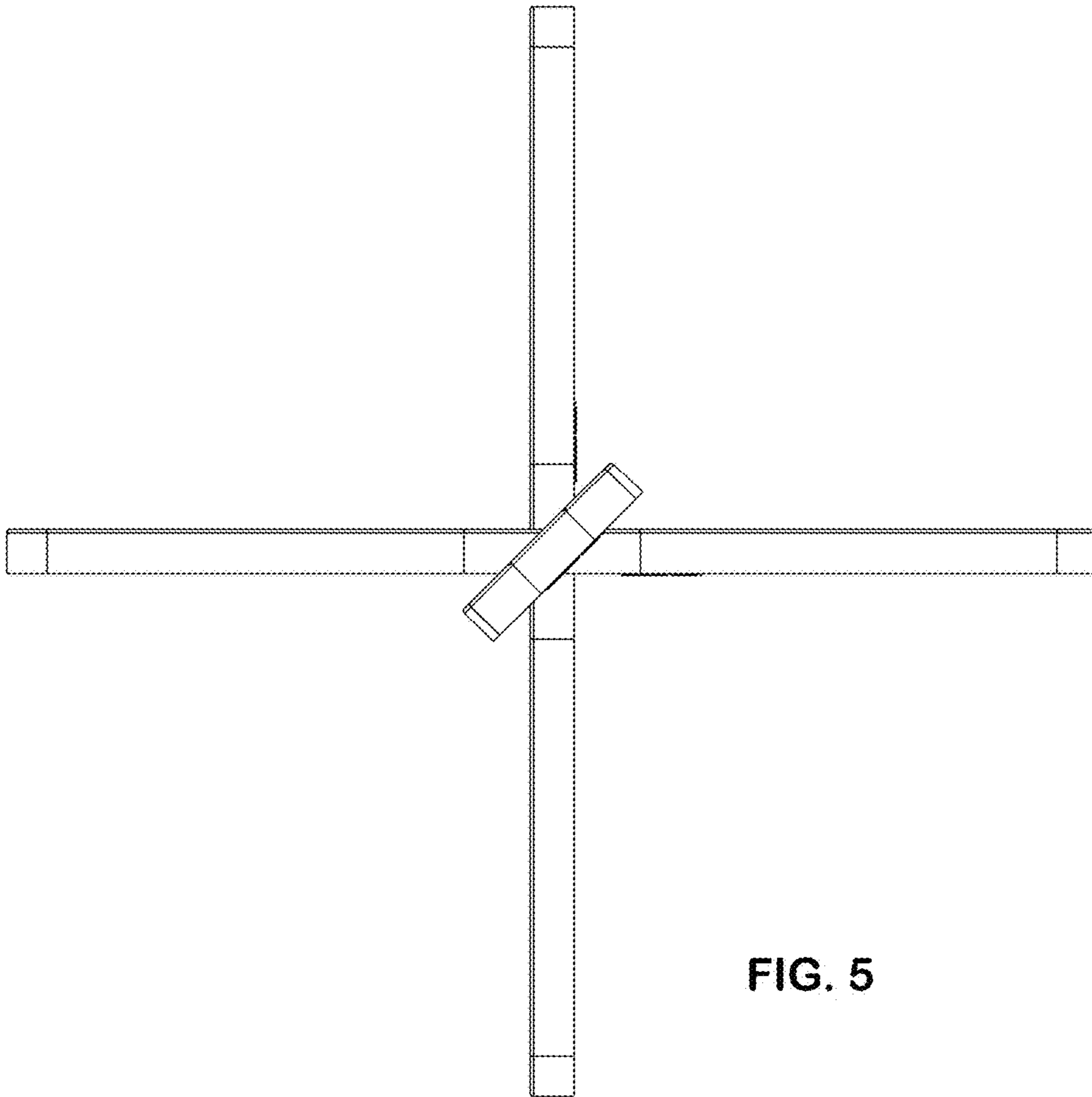


FIG. 5

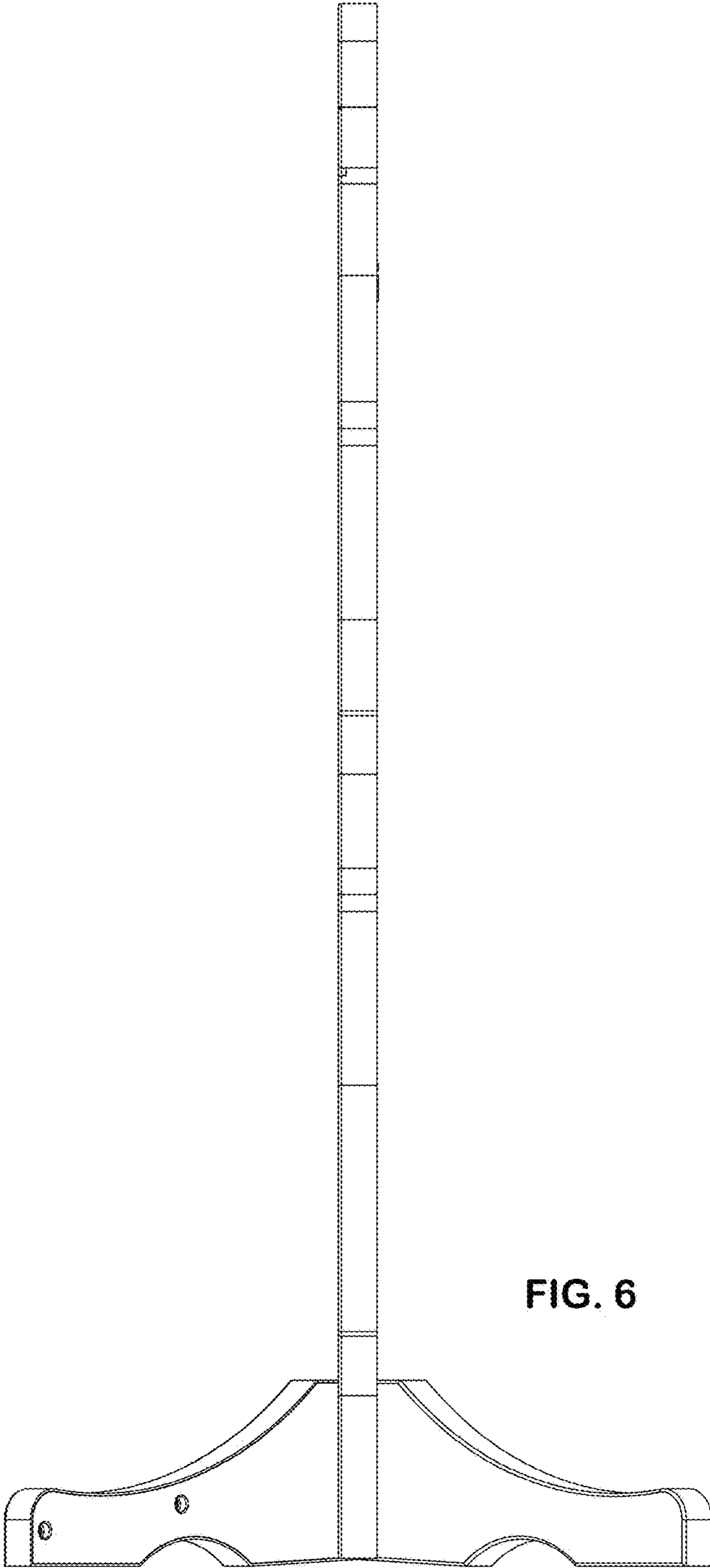


FIG. 6

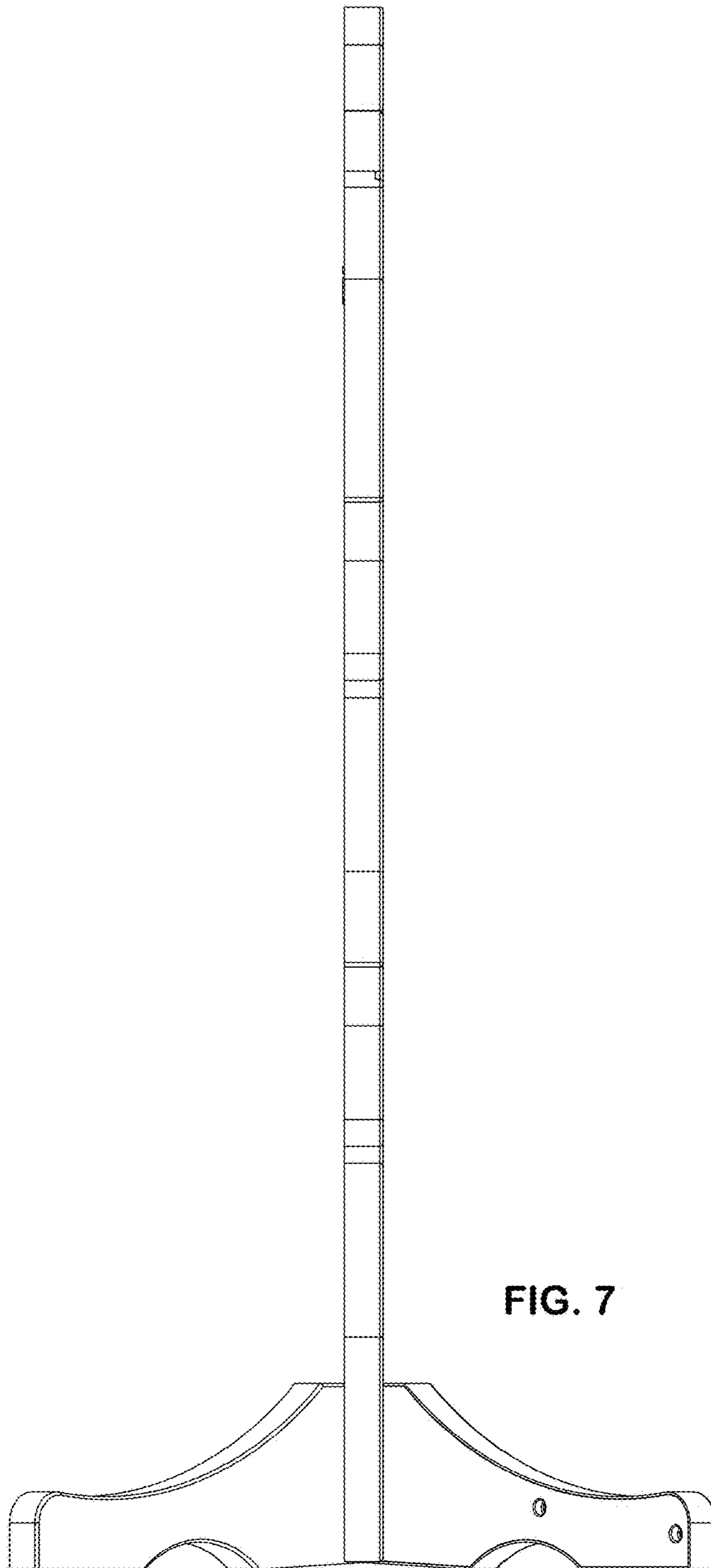


FIG. 7