



US00D859871S

(12) **United States Design Patent** (10) **Patent No.:** **US D859,871 S**
Lenhart et al. (45) **Date of Patent:** **** Sep. 17, 2019**

(54) **CLASSROOM CHAIR**
(71) Applicant: **Krueger International, Inc.**, Green Bay, WI (US)
(72) Inventors: **Tad Edward Lenhart**, Cedarburg, WI (US); **Scott Anthony Bosman**, Green Bay, WI (US); **Xeng Xue Vang**, Green Bay, WI (US)
(73) Assignee: **Krueger International, Inc.**, Green Bay, WI (US)
(**) Term: **15 Years**

D580,676 S * 11/2008 Cramer D6/379
D648,557 S * 11/2011 Frinier D6/369
D661,918 S * 6/2012 Ciani D6/375
D663,131 S * 7/2012 Barefoot D6/374
D676,690 S 2/2013 Pheasant
D686,009 S 7/2013 Mari
D726,432 S 4/2015 Ye
D726,435 S 4/2015 Ye
D730,069 S * 5/2015 Thuma D6/336
D802,958 S * 11/2017 Lowsky D6/379
D805,316 S * 12/2017 Lowsky D6/379
D810,457 S * 2/2018 Natuzzi D6/379
D814,835 S * 4/2018 Bosman D6/705.6
D815,452 S * 4/2018 Hannoosh D6/380
D821,770 S * 7/2018 Dassen D6/375
D821,774 S * 7/2018 Hale D6/375
D839,651 S * 2/2019 Green D6/716.1

(21) Appl. No.: **29/573,031**
(22) Filed: **Aug. 2, 2016**
(51) **LOC (12) Cl.** **06-01**
(52) **U.S. Cl.**
USPC **D6/380**
(58) **Field of Classification Search**
USPC D6/334, 349, 364-366, 374, 375, 379, D6/380, 716, 716.7
CPC A47C 5/12; A47C 7/04; A47C 1/12; A47C 1/121; A47C 1/126; A47C 1/16
See application file for complete search history.

* cited by examiner

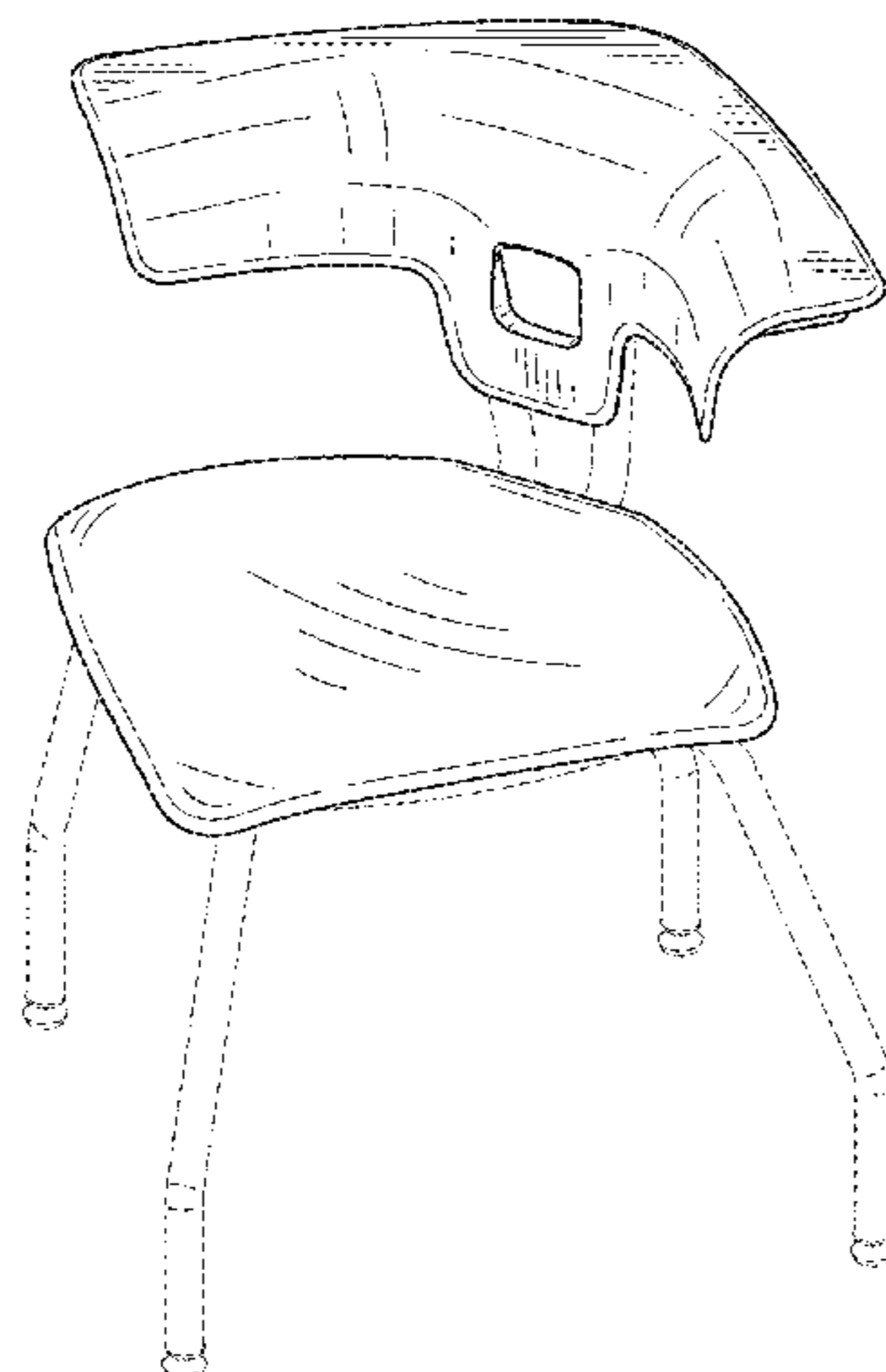
Primary Examiner — Manpreet S Matharu
Assistant Examiner — Keith J Wilson
(74) *Attorney, Agent, or Firm* — Andrus Intellectual Property Law, LLP

(56) **References Cited**
U.S. PATENT DOCUMENTS
D179,036 S 10/1956 Rothenstein
D195,256 S 5/1963 Andersen et al.
D195,257 S 5/1963 Andersen et al.
D334,296 S 3/1993 Hutton
D395,758 S 7/1998 Hutton
D396,563 S * 8/1998 Meijer D6/334
D406,198 S 3/1999 Lin et al.
D431,380 S * 10/2000 Hutton D6/360
D432,806 S * 10/2000 Gomez D6/379
D443,151 S * 6/2001 Frinier D6/379
D478,430 S 8/2003 Olson
D524,072 S * 7/2006 King D6/379

(57) **CLAIM**
The ornamental design for a classroom chair, as shown and described.

DESCRIPTION
FIG. 1 is a front isometric view of a first embodiment of a classroom chair;
FIG. 2 is a front elevation view thereof;
FIG. 3 is a rear elevation view thereof;
FIG. 4 is a right side elevation view thereof;
FIG. 5 is a left side elevation view thereof;
FIG. 6 is a top plan view thereof; and,
FIG. 7 is a bottom plan view thereof.
The broken lines in the drawing views are included for purposes of illustrating environment and form no part of the claimed design.

1 Claim, 4 Drawing Sheets



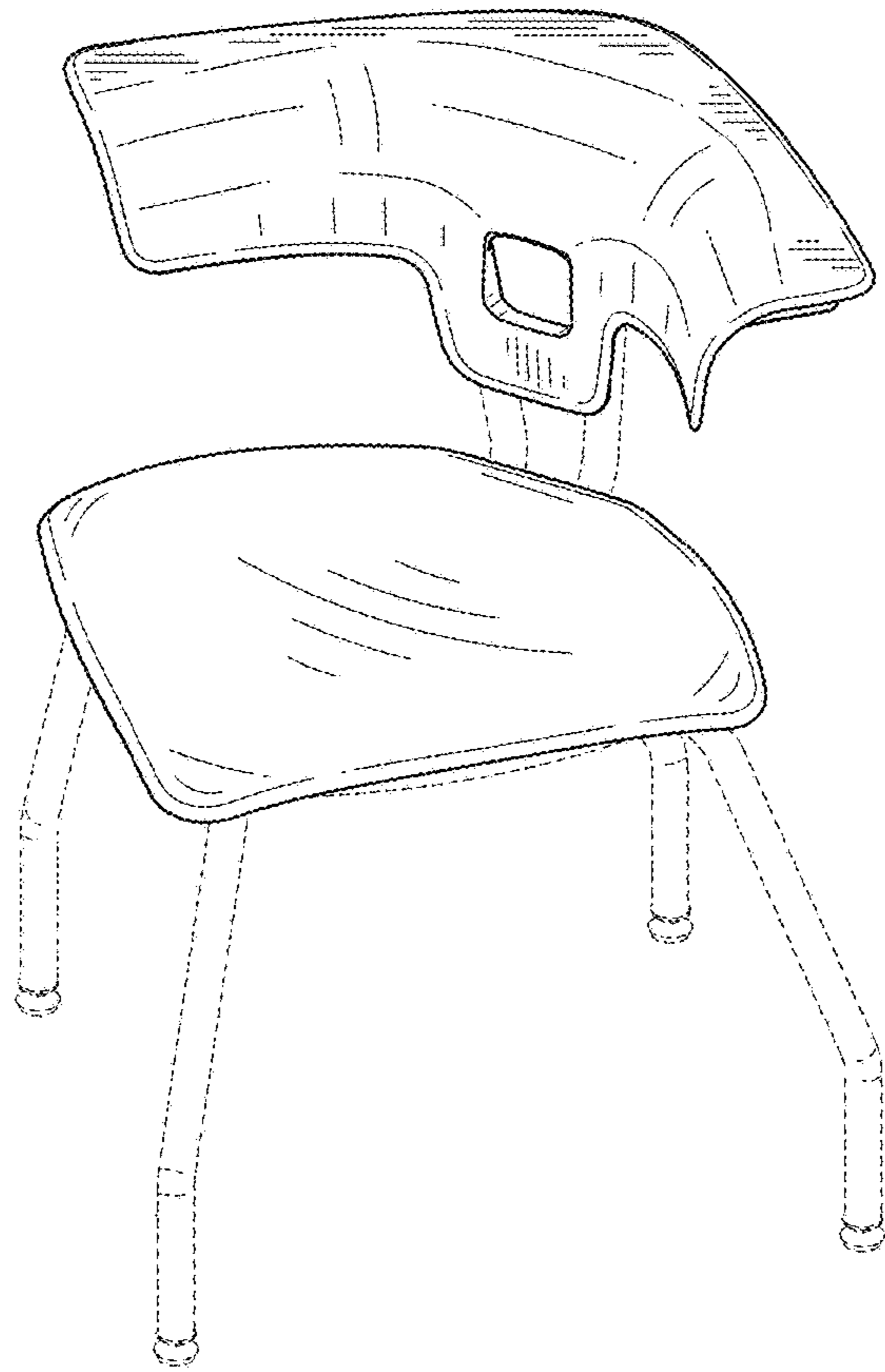


FIG. 1

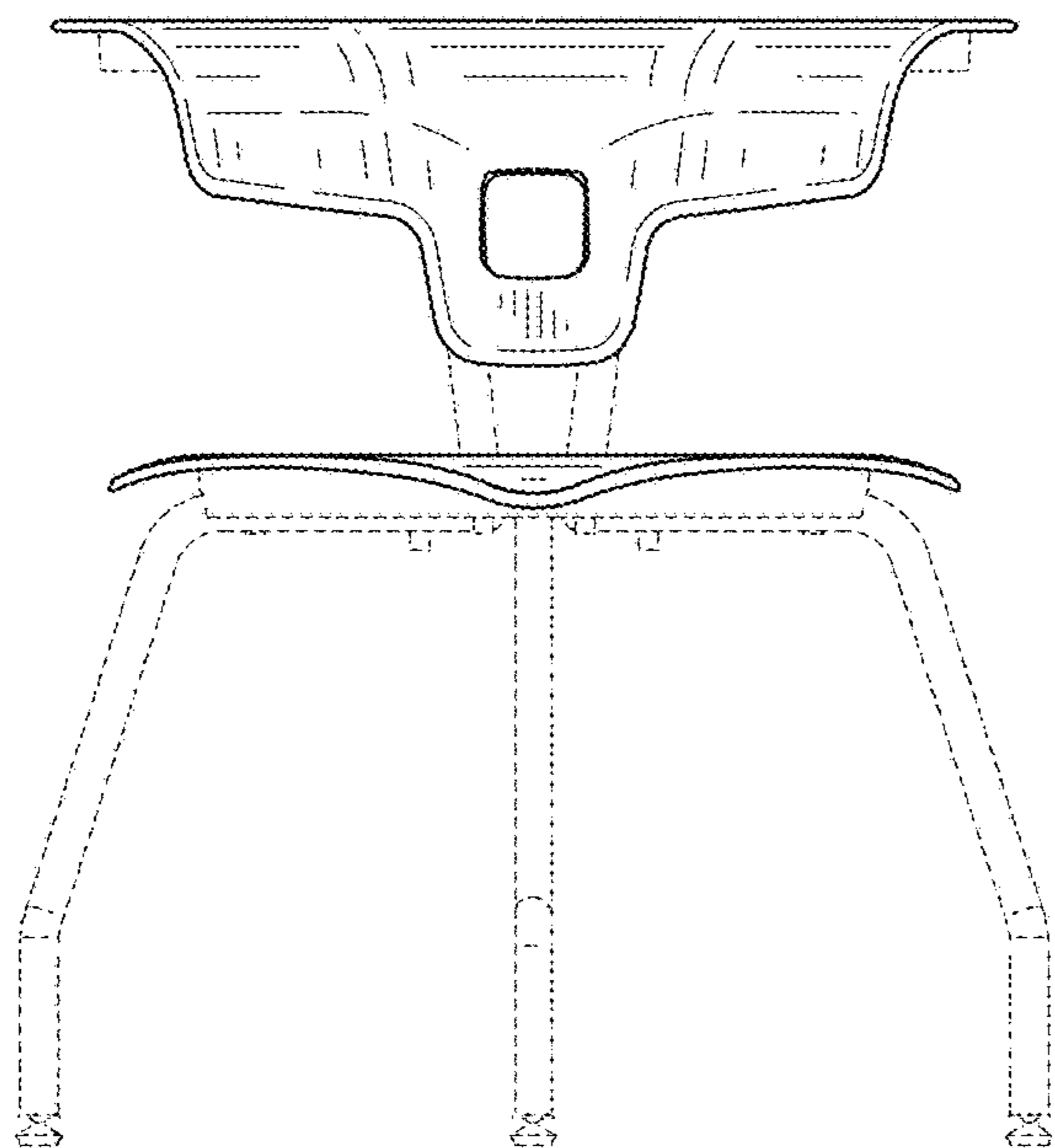


FIG. 2

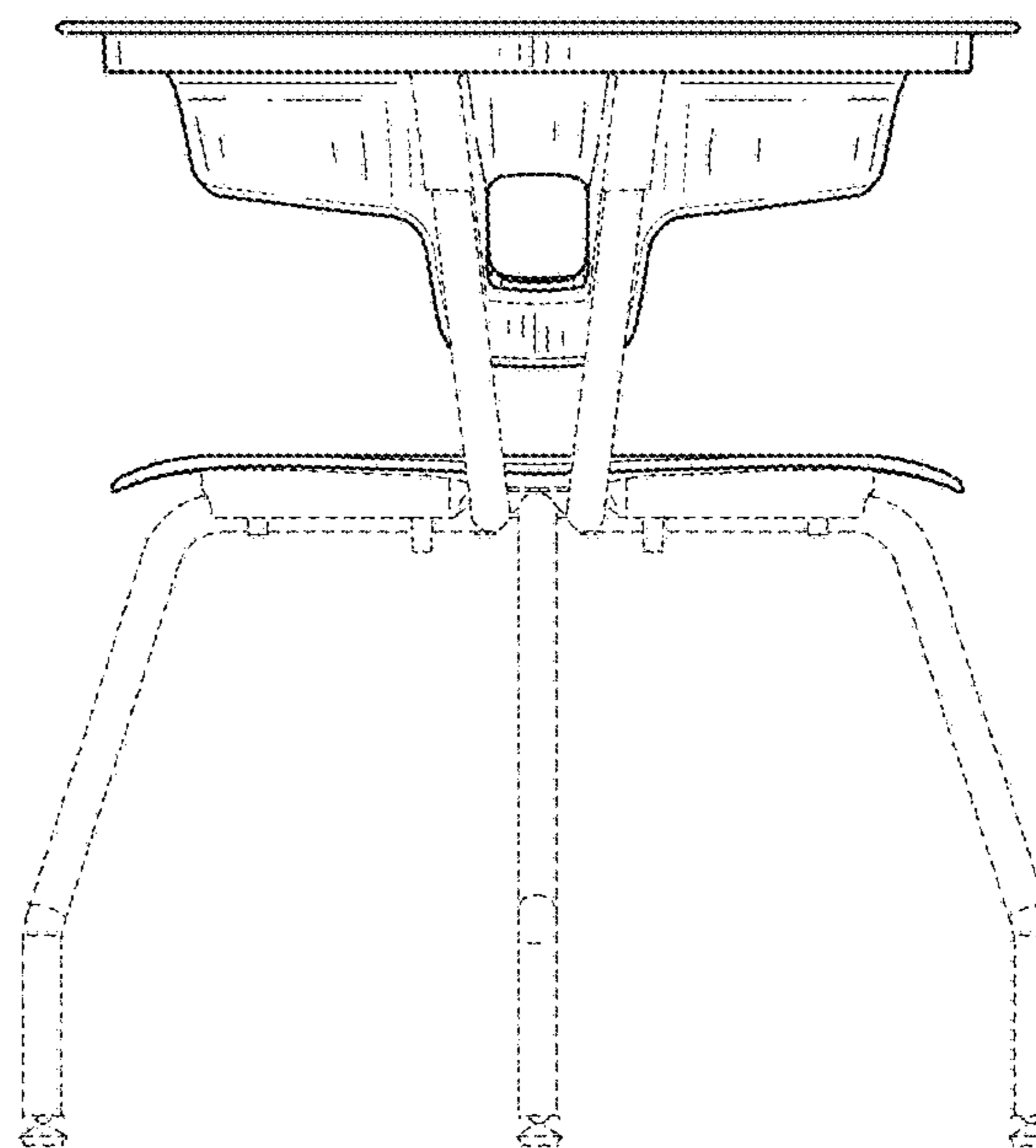


FIG. 3

FIG. 4

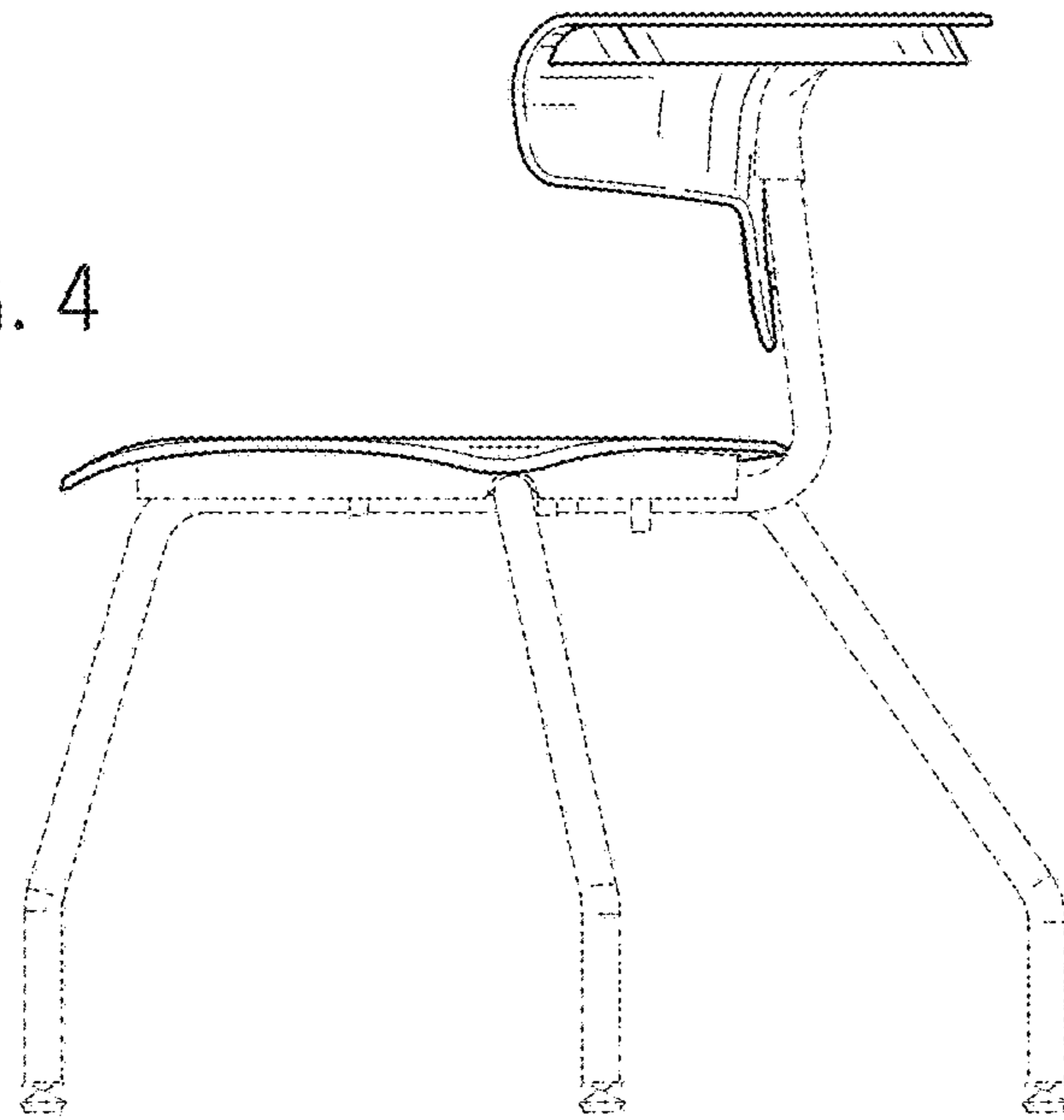


FIG. 5

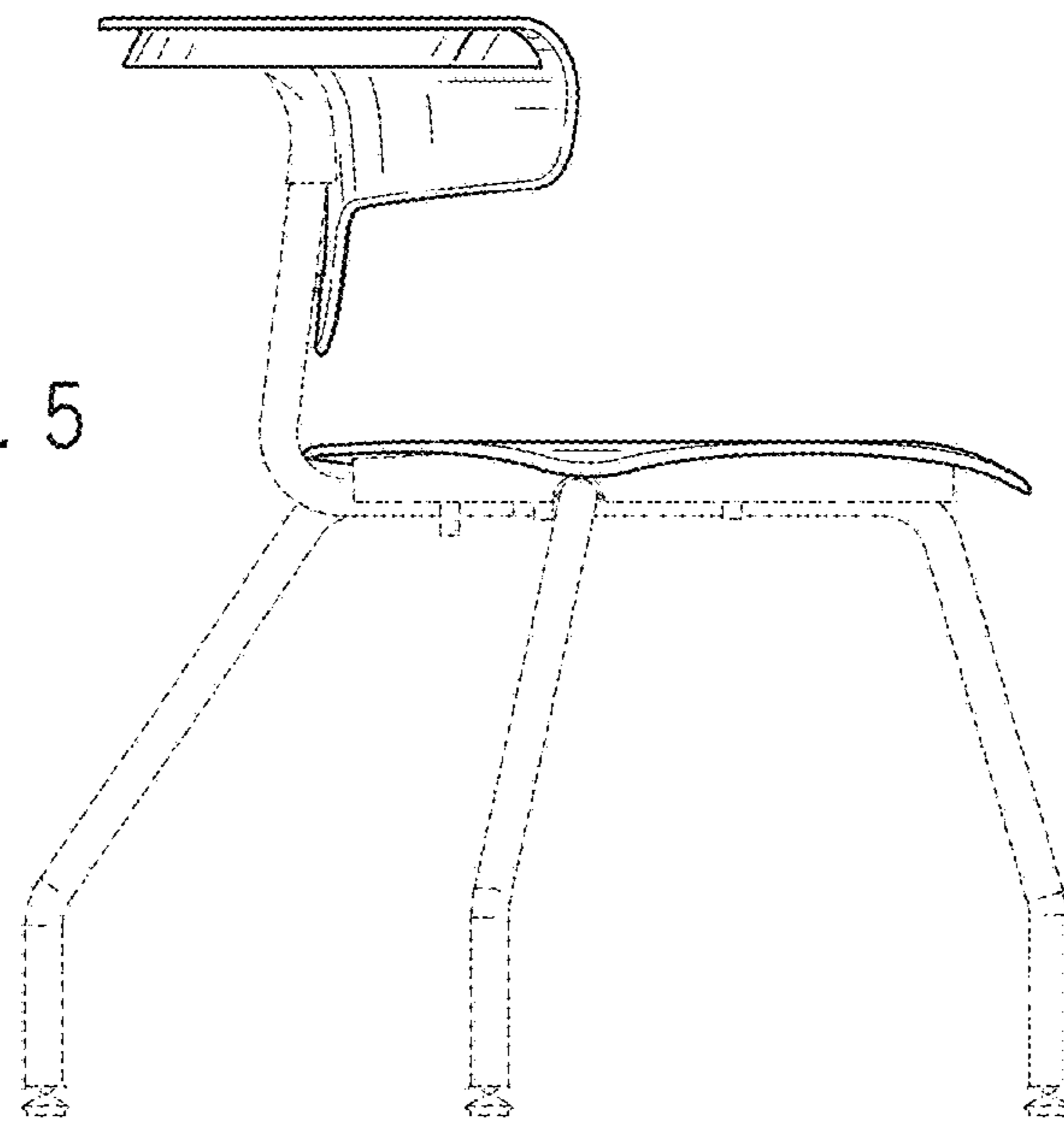


FIG. 6

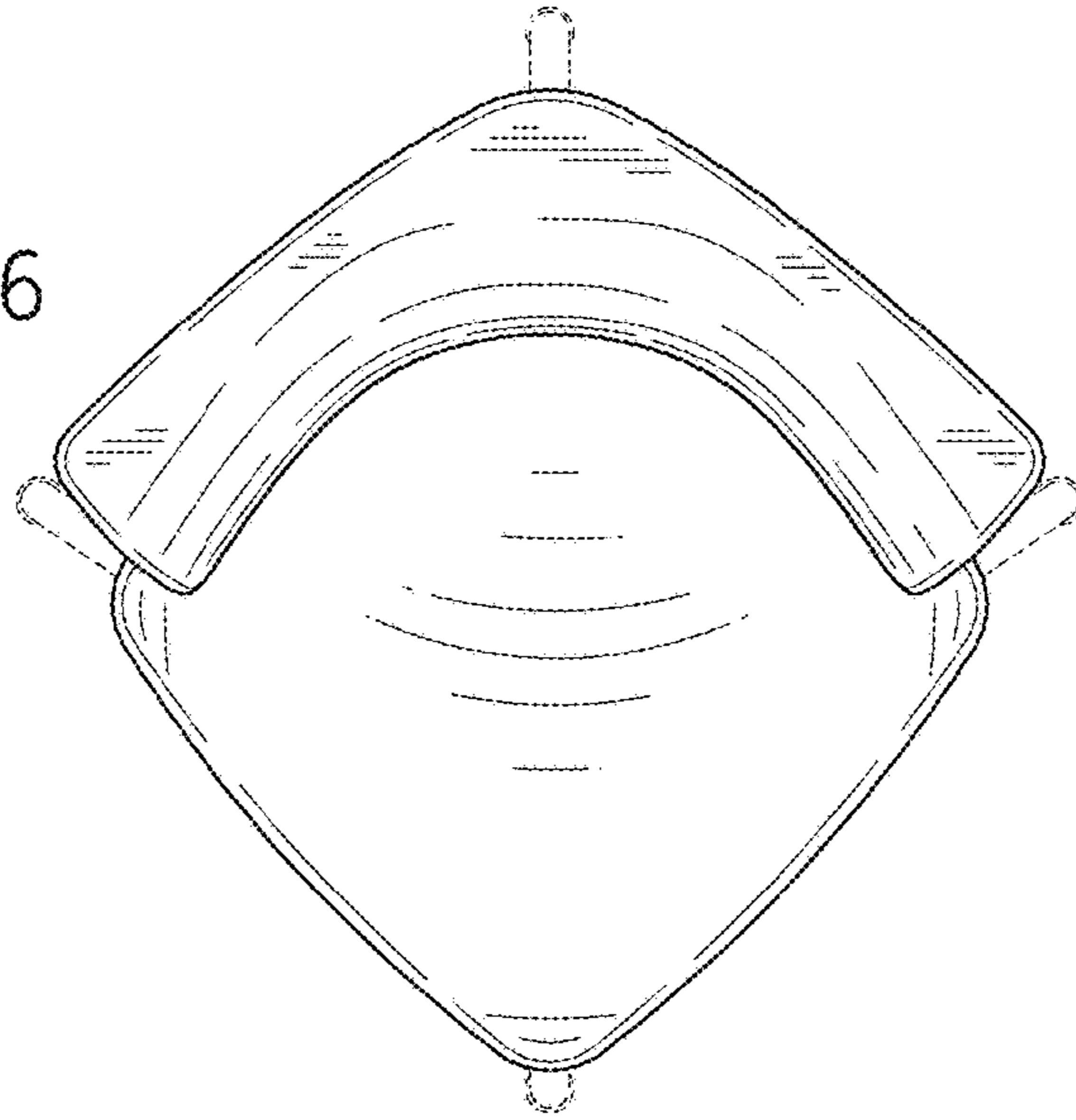


FIG. 7

